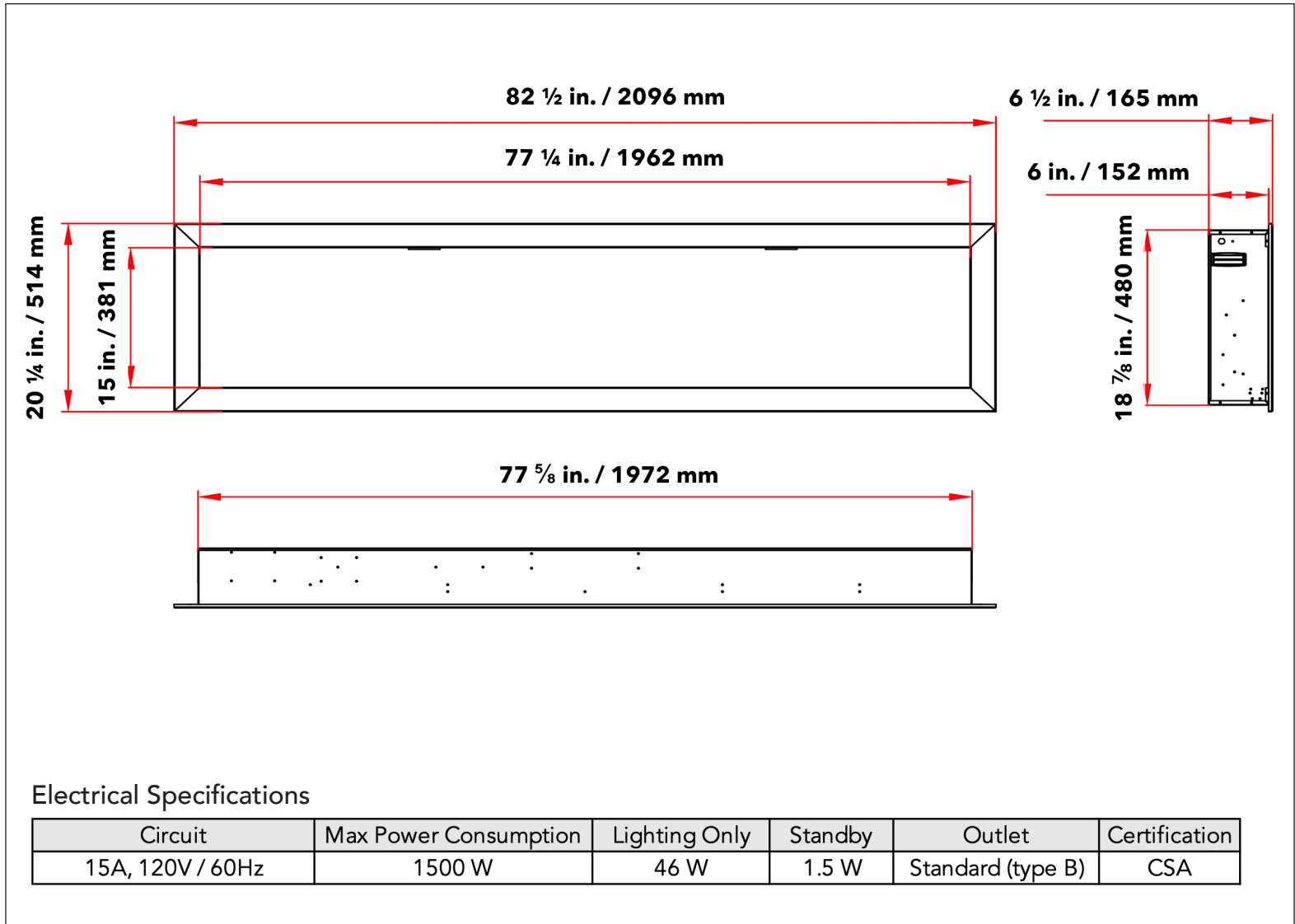


# Cascade 82" Electric Fireplace

## Specifications Sheet



Model	Length	Height	Depth	Viewing Area	BTU	Cord Length
DY-BTX82	2096 mm	514 mm	165 mm	1962 mm x 381 mm	5000	1829 mm
	82 ½ in.	20 ¼ in.	6 ½ in.	77 ¼ in. x 15 in.		72 in.



### Electrical Specifications

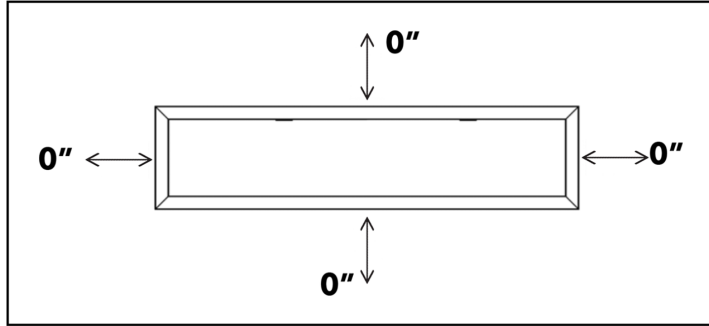
Circuit	Max Power Consumption	Lighting Only	Standby	Outlet	Certification
15A, 120V / 60Hz	1500 W	46 W	1.5 W	Standard (type B)	CSA

# Cascade 82" Electric Fireplace

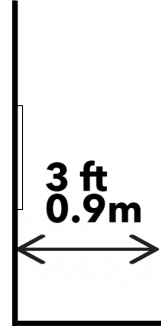
## Specifications Sheet



### Clearances



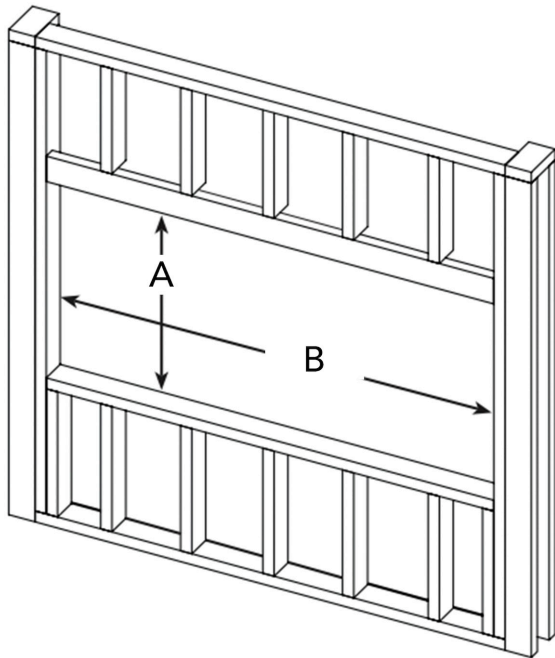
Front View



Side View

Minimum Clearances to Combustibles	
Top	0"
Sides	0"
Back	0"
Bottom	0"
Front	36" / 0.9m

### Framing



Framing Dimensions	
A	19 ½ in.
	495 mm
B	78 ½ in.
	984 mm
Depth	6 ¾ in.
	172 mm

Product installation must adhere strictly to instructions accompanying product to avoid risk of fire and potential injury



Dynasty Fireplaces, Ltd.  
10-3071 No. 5 Road, Richmond, BC V6X 2T4 Canada  
+1 877-521-1009 | 604-821-1009 |  
support@dynastyfireplaces.com | dynastyfireplaces.com

