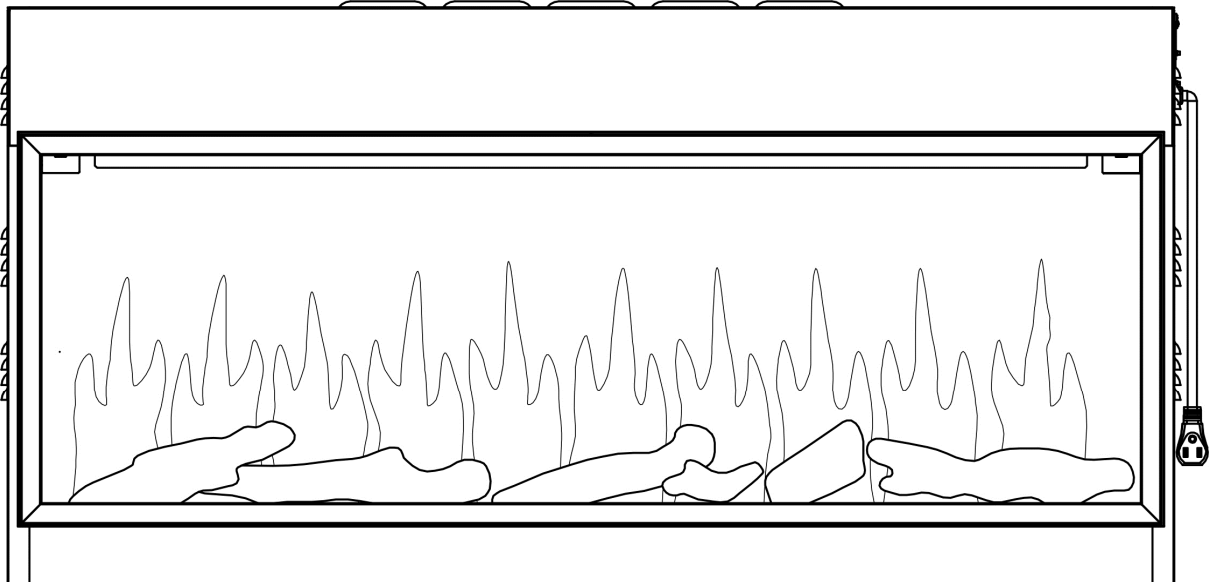




Homeowner's Installation Instructions & Operating Manual

Model: DY-BEF37 DY-BEF45 DY-BEF57
DY-BEF64 DY-BEF80



**Please read the instructions carefully before installation or
use of this electric fire and retained for future reference.**

Dynasty Fireplaces
#10-3071 No.5 Road, Richmond, BC V6X 2T4 Canada

Contents

Important safety information	3
Appliance data	5
Product dimension	5
Packing list	6
Installation.....	6
Operation	11
Care and maintenance	14
Warranty	15

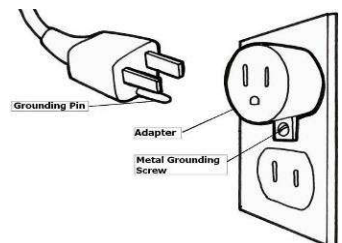
IMPORTANT SAFETY INFORMATION!

WARNING

- **Read all instructions before using this heater!**
- This heater is **hot when in use**. To avoid burns, **DO NOT** let bare skin touch **hot surfaces**. If provided, use handles when moving this heater. Keep **combustible materials**, such as furniture, pillows, bedding, papers, clothes, and curtains at least **3 feet (0.9m)** from the **front of the heater**, and **keep them away from the sides and rear**.
- **Extreme caution** is necessary when any heater is used by or near **children or invalids** and whenever the heater is left **operating and unattended**.
- **DO NOT** operate any heater with a **damaged cord or plug** or after the **heater malfunctions**, has been **dropped or damaged in any manner**. Discard heater, or return to authorized service facility for examination and/or repair.
- **DO NOT** run **power cord** under carpeting. **DO NOT** cover power cord with throw rugs, runners, or similar coverings. **DO NOT** route power cord under furniture or appliances. Arrange power cord **away from traffic** area, and where it will not be tripped over.
- **DO NOT insert or allow foreign objects to enter any ventilation or exhaust opening**, as this may cause **electric shock or fire**, or **damage the heater**.
- To prevent a possible fire, **DO NOT** block air intakes or exhaust in any manner. Doing so could cause a **fire**. **DO NOT** use on soft surfaces, like a bed, where openings may become blocked.
- A heater has **hot and arcing or sparking parts inside**. **DO NOT** use it in areas where **gasoline, paint, or flammable liquids** are used or stored.
- **Use this heater only as described in this manual**. Any other use not recommended by the manufacturer may cause fire, electric shock, or injury to persons.
- **ALWAYS** plug heaters directly into a wall outlet/receptacle. **NEVER** use with an extension cord or relocatable power tap (outlet/power strip).
- **DO NOT** place the heater near a bed because objects such as pillows or blankets can fall off the bed and be ignited by the heater.
- **NEVER** use this heater in **bathrooms, laundry rooms**, or any other location where the heater could fall into a **bathtub or pool, become damp, or come in contact with water**.
- **AVOID FIRE!** Regularly inspect all air vents to make sure they are free from dust, lint, or other blockage. **Unplug the unit** and clean with a **vacuum ONLY**. **DO NOT** rinse or get wet.
- **NEVER** hang this unit on a wall **directly below an electrical outlet**.
- **NEVER** permanently install in a recessed area of the wall. This may result in **blocked air flow, overheating, or fire**.
- **ALWAYS** mount to wall bracket before use.
- **NEVER** use a wall mount bracket from another manufacturer.

WARNING

- **WARNING: REDUCE THE RISK OF FIRE OR ELECTRIC SHOCK---DO NOT USE THIS HEATER WITH ANY SOLID STATE SPEED CONTROL DEVICES.**
- **For residential use only! NOT for commercial use!** Any commercial or public use of this heater **voids all warranties**, and could cause **injury**.
- This product is **not intended** to be a **primary heat source**. It is for **supplemental heat only**.
- **INDOOR use only! NEVER use this heater outdoors!** Doing so may result in **electric shock!**
- **Risk of electric shock! DO NOT OPEN!** No user-serviceable parts inside!
- **NEVER modify this heater.** Doing so could result in personal **injury** or property **damage**. Modification of this fireplace **completely voids all warranties**.
- **ALWAYS** turn this heater off before unplugging it from the outlet.
- **ALWAYS disconnect** this unit from the **power supply before** performing any assembly or cleaning, or before relocating the electric fireplace.
- **NEVER** leave this heater unattended. **ALWAYS** unplug this heater when not in use.
- **ALWAYS** store this heater in a dry location. **NEVER** use the fireplace if it has become wet.
- **ONLY** use this heater on a **120V AC 15-Amp circuit. NEVER overload the circuit.** If this heater trips the circuit breaker, unplug all other appliances on the same circuit before the next use. Avoid plugging other appliances into the same circuit as this heater.
- **NEVER** plug this heater into an outlet that is **old, cracked**, or has any **loose wires or connections**. Plugging this heater into a faulty outlet could result in **electric arcing** within the outlet that could cause the **outlet to overheat or catch fire**.
- **ALWAYS** check your heater cord and plug connections with **each use!**
 - a. **MAKE SURE** the plug fits tight in the outlet! Faulty wall outlet connections or loose plugs can cause the outlet to overheat.
 - b. **Heaters draw more current** than small appliances. **Overheating** may occur even if it has not occurred with the use of other appliances.
 - c. During use **check frequently** to see if the **plug outlet or faceplate is HOT!** If the outlet or faceplate is **HOT, discontinue use immediately** and have a qualified electrician inspect and/or replace the faulty outlets.
- This heater has a **polarized plug (one blade is wider than the other)**. As a safety feature to reduce the risk of electrical shock, this plug is intended to fit in a polarized outlet only one way. If the plug does not fit fully in the outlet, reverse the plug. If it still does not fit, contact a qualified electrician. Do not attempt to defeat this safety feature.
- **SAVE THIS INSTRUCTION!**



APPLIANCE DATA

Model No. EF206-210B (BEF37-80)
 Supply Voltage AC 120V 60Hz
 Heating Element 1500W
 Mains Cable 1 x 2.0m (approx)
 Maximum power consumption: 1500W
 Power for flame effect:

EF206B (BEF37)	EF207B (BEF45)	EF208B (BEF57)	EF209B (BEF64)	EF210B (BEF80)
9W+8W	10.4W+8W	15W+8W	17.2W+8W	26.7W+8W

Power for Fuel Bed:

EF206B(BEF37)	EF207B(BEF45)	EF208B(BEF57)	EF209B(BEF64)	EF210B(BEF80)
5.8W	5.8W	8.6W	8.6W	10.4W

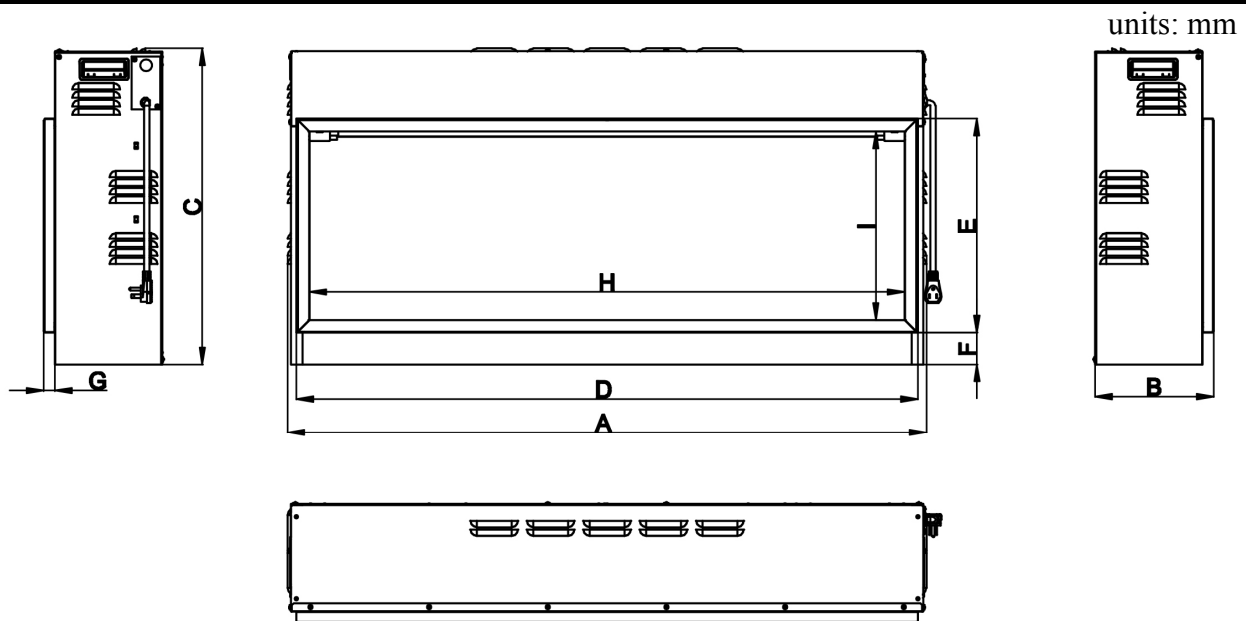
Heat Output:

Nominal heat output (P_{nom}): 1500W
 Minimum heat output(indicative) (P_{min}): 750W
 Maximum continuous heat output (P_{max}): 1500W

Auxiliary Electricity Consumption:

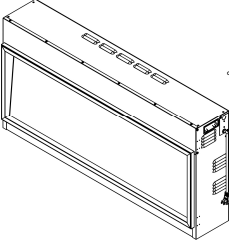




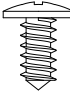
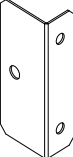
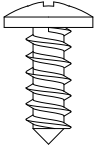
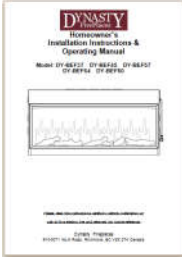
At nominal heat output (e_{lmax}): 45.1W
 At minimum heat output (e_{lmin}): 22.8W
 In standby mode (e_{lSB}): 0.49W

PRODUCT DIMENSION



MODEL	A	B	C	D	E	F	G	H	I
EF206B(BEF37)	932	210	560	900	380	57	20	854	335
EF207B(BEF45)	1132	210	560	1100	380	57	20	1054	335
EF208B(BEF57)	1432	210	560	1400	380	57	20	1354	335
EF209B(BEF64)	1632	210	560	1600	380	57	20	1554	335
EF210B(BEF80)	2032	210	560	2000	380	57	20	1954	335

PACKING LIST

 <p>A - Fireplace (1)</p>	 <p>B-Remote Control (1)</p>	 <p>C-AAA Battery (2)</p>
 <p>D-Small and Large Crystal Stones (1 set)</p>	 <p>E-Log (1 set)</p>	 <p>F- ST 4*8 Metal Screws (8)</p>
 <p>G- Fixing Brackets (4)</p>	 <p>H- ST 4*12 Metal Screws (4)</p>	 <p>I- Owner's Manual (1)</p>

INSTALLATION

LOCATING YOUR ELECTRIC FIREPLACE

Your new electric fireplace may be installed virtually anywhere in your home. However, when choosing a location, ensure that the general instructions are followed. For best results, install out of direct sunlight. Power supply service must be either completed or placed within the electric fireplace prior to finish to avoid reconstruction.

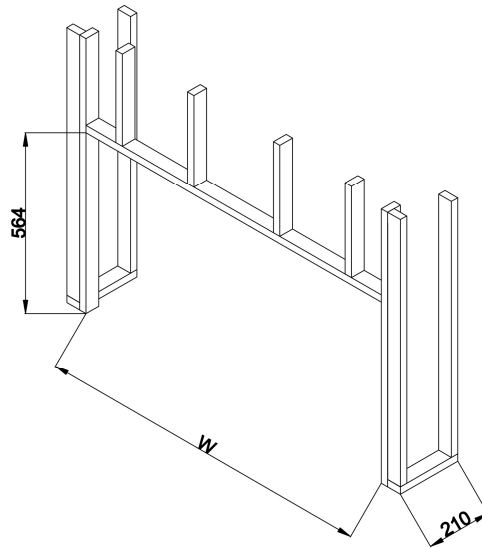
WARNING ! Keep drapery and other furnishings at least 3ft /0.9m from the front of the electric fireplace.

FRAMING

Note: Ensure that you leave adequate room to remove and replace the front screen or optional front.

- Choose a fireplace location and frame as shown in figure 1.

units: mm



MODEL	EF206B (BEF37)	EF207B (BEF45)	EF208B (BEF57)	EF209B (BEF64)	EF210B (BEF80)
W	938	1138	1438	1638	2038

Figure 1

- Take out the 4 fixing brackets and 8pcs ST4X8 screws to fix on the left and right side panel of the unit.

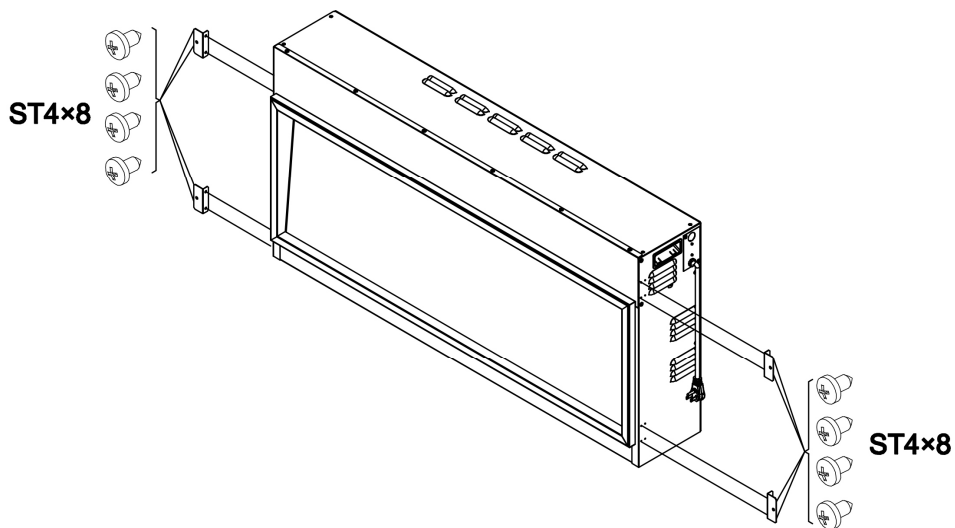


Figure 2

- Use 4 ST4*12 screws to fix the fireplace on the frame as shown in figure 3.

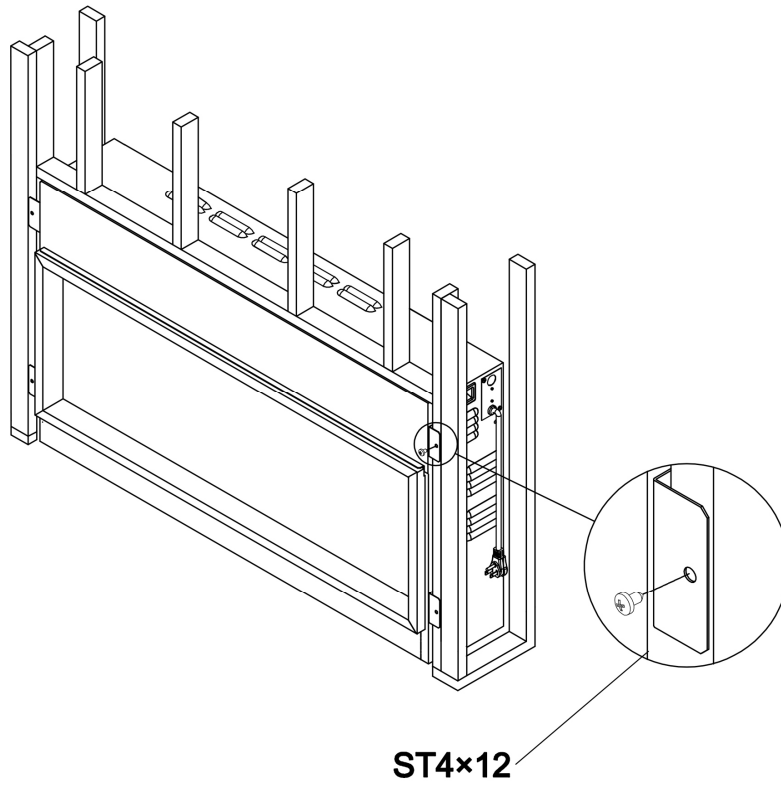


Figure 3

- Take out the trim gently, take out the screw M5*12 on both sides, and use glass hook to take out the glass carefully as shown in figure 4 and figure 5.

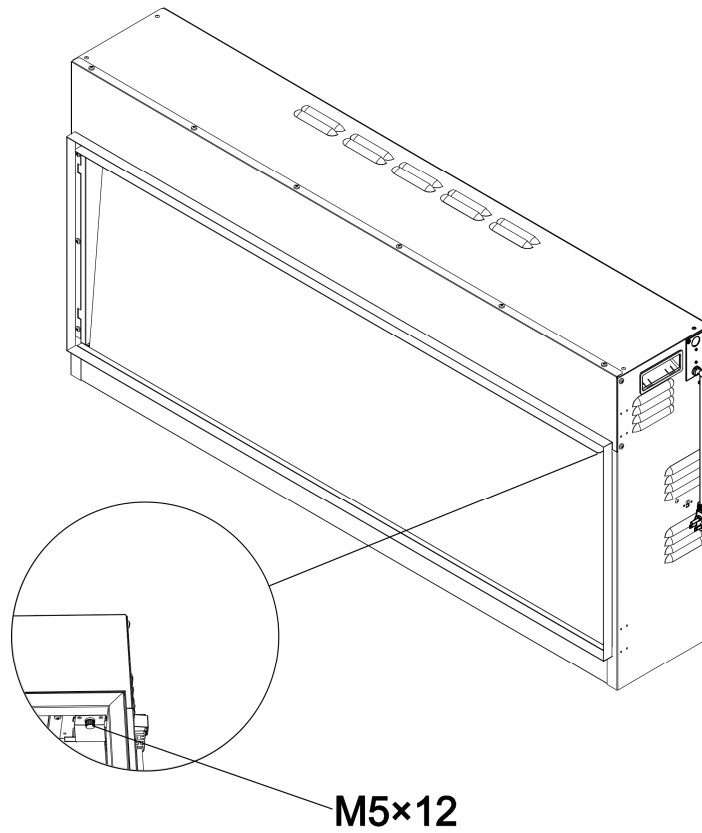


Figure 4

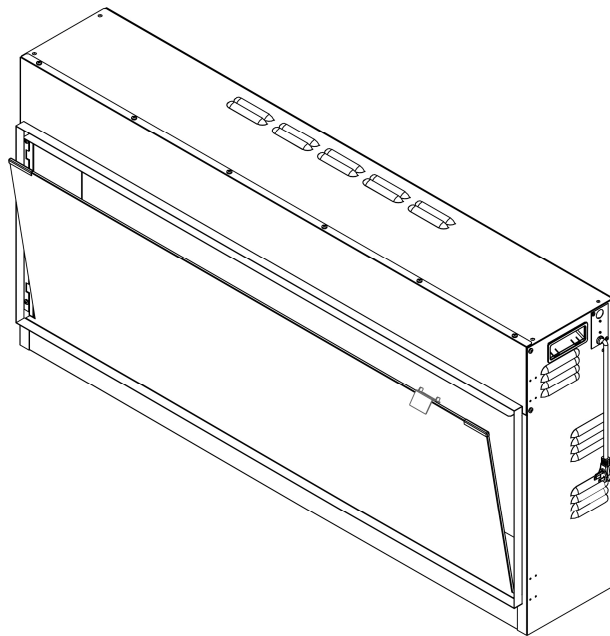
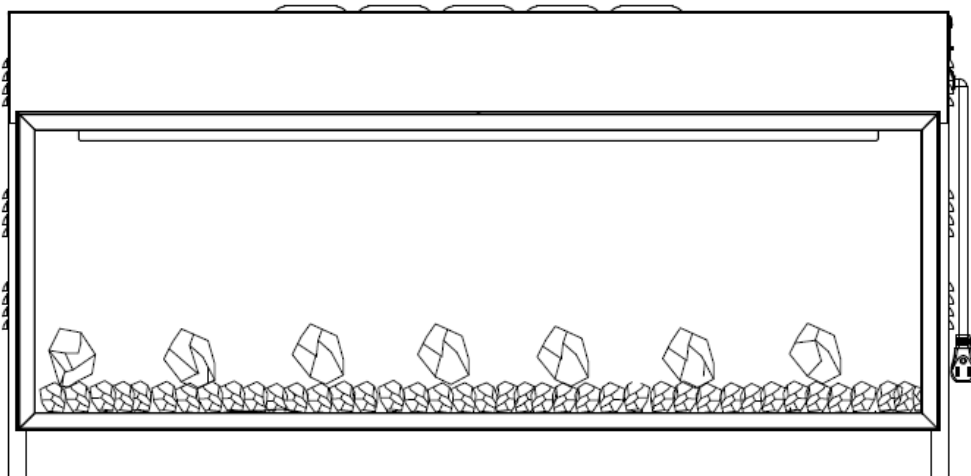


Figure 5

- **Set the fuel bed**

For crystal effect:

Carefully spread the small clear crystal stones across the fuel bed. Then evenly arrange the larger crystal stones along the inset window ledge at the front of the firebox.

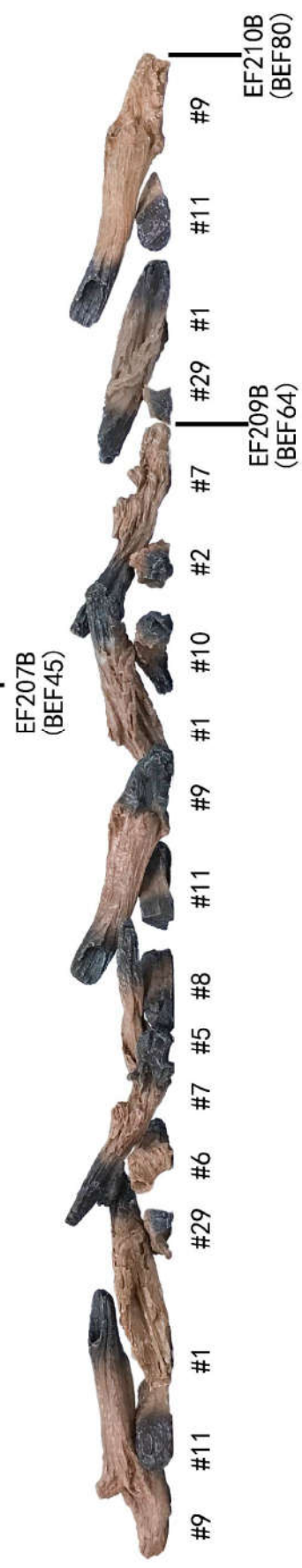


For log effect:

Arrange the logs. Below arrangement in the picture for your reference. Place the small semi-painted and clear crystal stones in between the log layout.

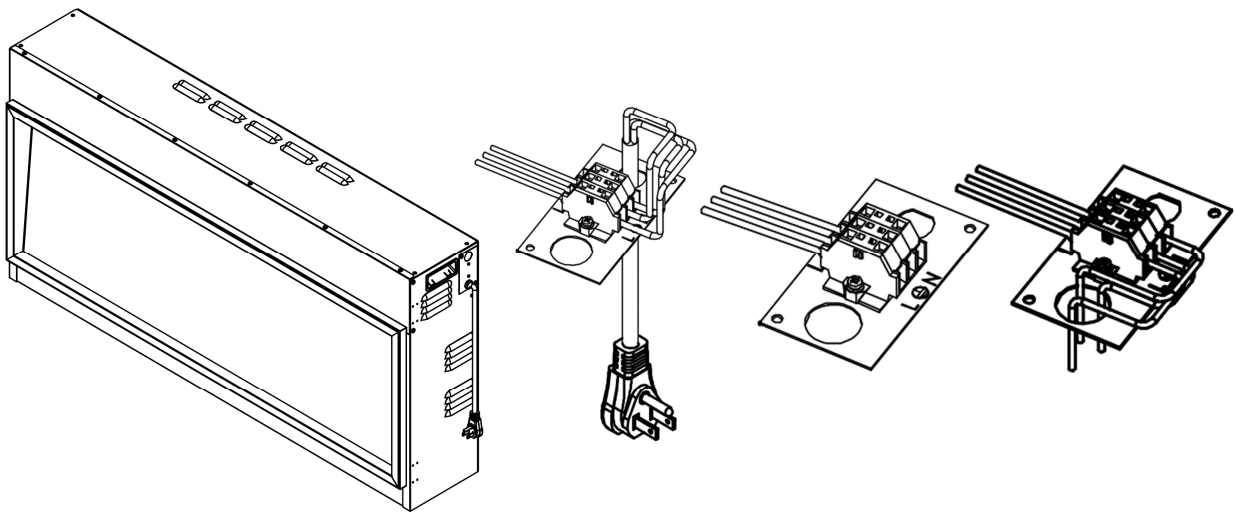


Log No.	#1	#2	#5	#6	#7	#8	#9	#10	#11	#29
EF206B(BEF37)	1	-	1	1	1	1	1	1	1	1
EF207B(BEF45)	1	-	1	1	1	1	2	-	2	1
EF208B(BEF57)	2	-	1	1	1	1	2	1	2	1
EF209B(BEF64)	2	1	1	1	2	1	2	1	2	1
EF210B(BEF80)	3	1	1	1	2	1	3	1	3	2



The fireplace is packaged with a three prong plug installed for plug-in convenience. Hard wiring the fireplace is also an option for any installation.

- Plug in (you may run the power cord out of the framed wall opening to an existing outlet or install an outlet on a nearby wall stud within the wall). If the cord is not long enough to reach the outlet, a grounded extension cord minimum AWG No. 14 wiring and rated to a minimum of 1875 watts may be used.
- Hard wire the fireplace (recommended). A qualified electrician may remove the cord connection, and wire the appliance directly to the house hold wiring. The appliance must be electrically connected and grounded in accordance with local codes.
- Remove the 2 screws to release the cover of junction box.
- Remove the cord connection.
- Wire to a properly grounded, 120volt, 60Hz, 15 AMP circuit.
- Ensure all junction block connections are tight.
- Replace the cover and retaining screws.

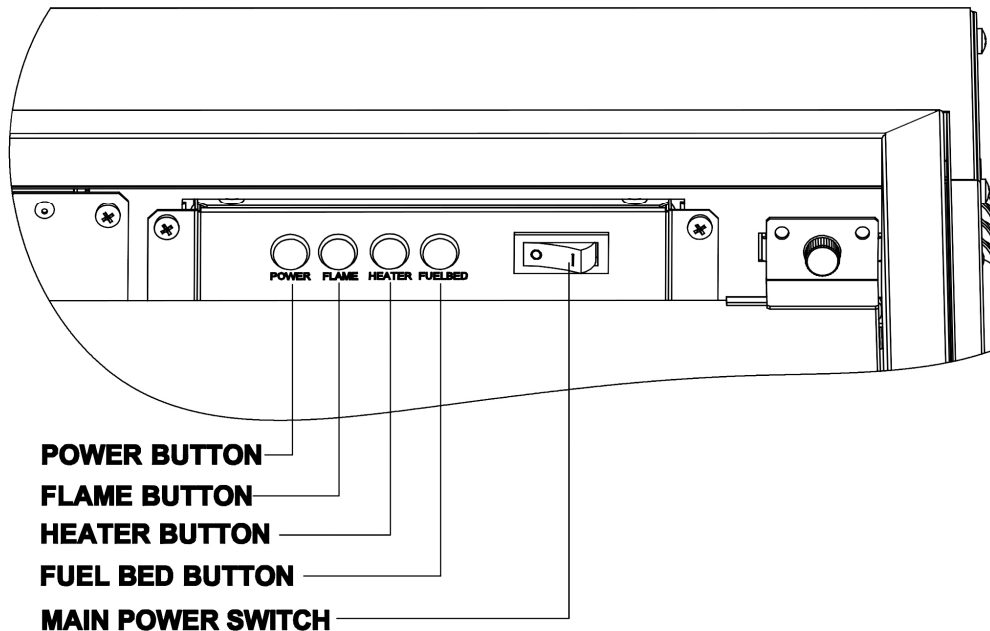


OPERATION

This appliance can be operated by both remote control and manual button. Once the unit has been properly connected to an earthed electrical outlet, turn on the main switch. A beep should be heard when the power is first applied.

NOTE: To use both remote and manual functions, the main on/off switch must be in 'on' position.

- **Operating by Manual Button**



Main power switch

The POWER switch supplies power to all of the functions of the fireplace. This switch must be in the “ON” position for any of the functions including the remote to work.

Power button

By pressing the POWER button, turn the fireplace on when it is off or turn it off when it is on.

Flame button

By pressing the FLAME button, the unit will cycle through five flame effects.

Fuel bed button

By pressing the FUEL BED button to cycle through 14 fuel bed effects.

Heater button

Press once turns Fan on, and 8s later Low heat on. (Pilot lights illuminated ●○)

Press again turns on High heat. (Pilot lights illuminated ●●)

Press third time turns heat off. 8s later fan off (Pilot lights illuminated ○○)

There are 3 levels you can cycle through including the OFF setting.

To Reset the Heater

Your heater includes a protection system that shuts off the heater if it overheats for any reason:








- 1) Turn unit to off.
- 2) Unplug unit wait 5 minutes.
- 3) Plug in and turn on.

● Operating by Remote Handset

In order to protect the product from becoming too hot, there is a 8s delay when turning on the heater; also there is a 8s delay when turning off the heater fan.

- **Make sure the batteries are installed properly in the remote control.**
- **The effective range of the remote control is up to 4 meters or 13 feet.**

Multifunction Infrared Remote Handset

BUTTON	FUNCTION	ACTION & INDICATION
 ON/OFF	<p>ON: Turns on.</p> <p>Note: All the functions are off in the standby mode, it will memorize the working condition of flame effect and heating.</p> <p>OFF: Returns the unit to standby mode.</p>	<p>1. Press. The flame effect and the remote control functions are enabled. The flame setting will display on the remote control screen.</p> <p>2. Press. The flame effect and all the functions will turn off. The remote control screen will go blank.</p>
 FLAME	<p>Controls the flame effect. Cycles through 5 levels of flame effects.</p>	<p>1. Press once to turn the flame effect on.</p> <p>2-4. Press again to cycle through 5 flame effects.</p>
 HEATER	<p>Press once turns Fan on, and 10s later Low heat on. (Pilot lights illuminated ●○) Press again turns on High heat. (Pilot lights illuminated ●●) Press third time turns heat off. 10s later fan off (Pilot lights illuminated ○○)</p>	<p>1. Press. The heater turns on low heat.</p> <p>2. Press. The heater turns on high heat.</p> <p>3. Press. Turn off the heat.</p> <p>4. When the heater is on without flame or fuel bed, 3rd fuel bed will light on with 5% brightness to indicate the heater is on.</p>
 TEMP	<p>Controls the thermostat setting.</p> <p>Thermostat: Automatically turns the heater on and off to maintain the temperature. If the thermostat is set below the room temperature, the heater will turn off.</p> <p>NOTE: The thermostat only works when the heater is on.</p> <p>NOTE: The heat will not change as the room temperature change when there is no temperature shows on the remote screen.</p> <p>NOTE: It will change between °C and °F after pressing the button for 3s. 60-84°F corresponds to 16-28°C. It cannot be operated in the standby mode, but the temperature still displays on the remote control screen.</p>	<p>1. Turn the heat on. Press. The temperature displays 24°C.</p> <p>2-13. Press again to increase the temperature by 1°C interval up from 16°C to 28°C (maximum setting).</p> <p>14. Press again. The thermostat turns off. No temperature is displayed.</p> <p>15. Press. Start at 23°C.</p>
 TIMER	<p>Controls the timer settings. The timer turns off the fireplace at the set time, from 0.5 hours to 9.0 hours.</p>	<p>1-10. Press . Timer setting: 0.5H, 1.0H, and then each hour up to 9.0H. </p> <p>11. Press. Off. No time is displayed.</p>
 FUEL BED	<p>Controls the LED light strips at the bottom of the fuel bed.</p>	<p>1. Press once to turn the fuel bed light on.</p> <p>2-14. Press again to cycle through 14 color options of the fuel bed.</p>

CARE AND MAINTENANCE



ALWAYS turn the heater **OFF** and **unplug the power cord from the outlet** before cleaning, performing maintenance, or moving this fireplace. Failure to do so could result in **electric shock, fire, or personal injury**.

Cleaning



NEVER immerse in water or **spray with water**. Doing so could result in **electric shock, fire, or personal injury**.

Metal:

- Buff using a soft cloth, slightly dampened with a citrus oil-based product.
- **DO NOT** use brass polish or household cleaners as these products will damage the metal trim.

Glass:

- Use a good quality glass cleaner and dry thoroughly with a paper towel or lint-free cloth.
- **NEVER** use abrasive cleansers, liquid sprays, or any cleaner that could scratch the surface.

Plastic:

- Wipe gently with a slightly damp cloth and a mild solution of dish soap and warm water.
- **NEVER** use abrasive cleansers, liquid sprays, or any cleaner that could scratch the surface.

Vents:

- Use a vacuum or duster to remove dust and dirt from the heater and vent areas.
- Clean the exterior of the fireplace with a slightly damp cloth or duster.

Maintenance



Risk of electric shock! DO NOT OPEN! No user-serviceable parts inside!



ALWAYS turn the heater **OFF** and **unplug the power cord from the outlet** before cleaning, performing maintenance, or moving this fireplace. Failure to do so could result in **electric shock, fire, or personal injury**.

Electrical and Moving Parts:

- The fan motors are lubricated at the factory and will not require lubrication.
- Electrical components are integrated in the fireplace and are not serviceable by the consumer.

Storage:

- Store heater in a clean dry place when not in use.

Replacement parts:

- Use only replacement parts supplied by the manufacturer. Use of any other parts, or modifying the fireplace in any way, will void all warranties.
- No internal parts are replaceable or serviceable.

WARRANTY

In the unlikely event of a problem occurring due to a manufacturing fault within 24 months from the date of purchase of the appliance it will be repaired or replaced free of charge.

This warranty does not cover consumable items such as the bulbs and fuses which have a limited lifespan.

If a problem should occur, the nature of the problem together with the date of a purchase should be immediately reported to the retailer that the appliance was purchased from. Proof of purchase will be required so the original invoice should be retained.

Dynasty Fireplaces

#10-3071 No. 5 Road, Richmond, BC V6X 2T4 Canada

Telephone: (604) 821-1009 Toll free: 1-877-521-1009