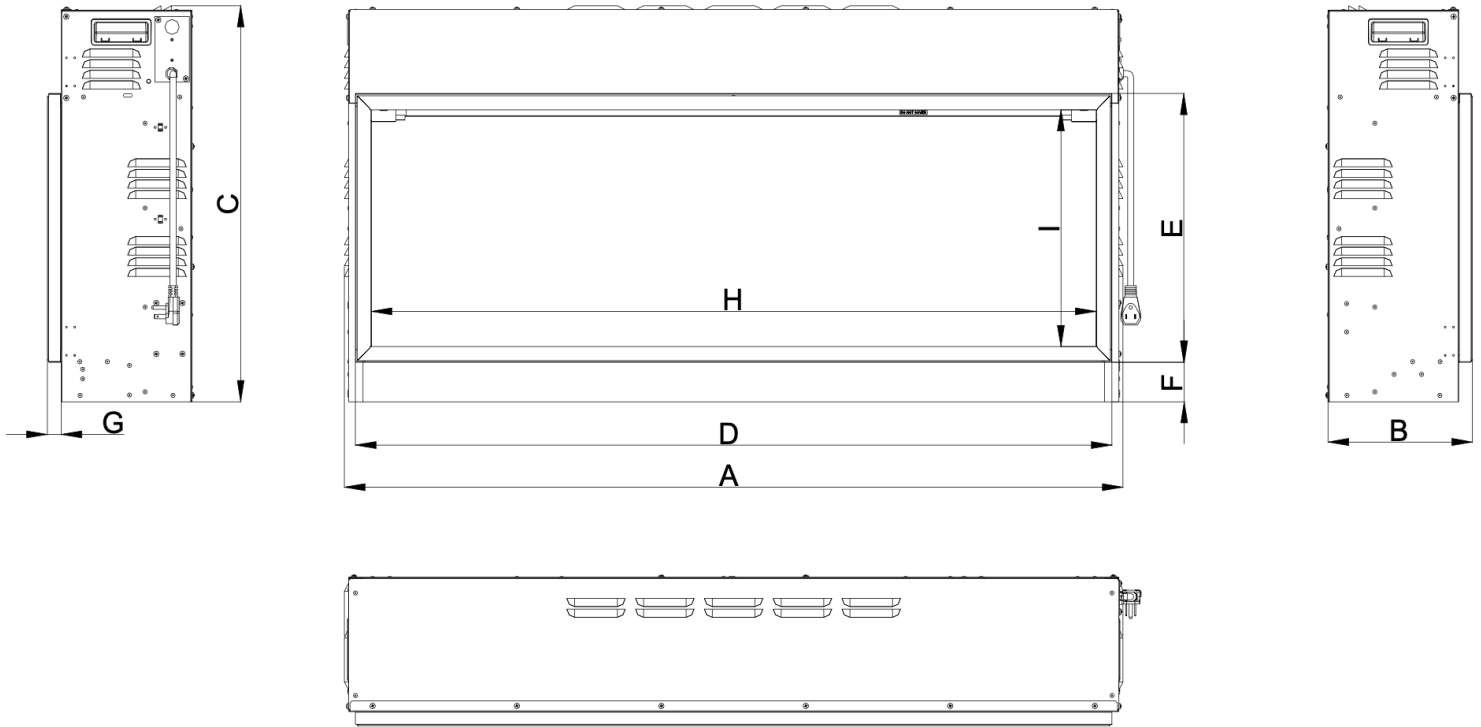


Harmony 45" Electric Fireplace

Specifications Sheet



| Model | Length | Height | Depth | Viewing Area | BTU | Cord Length |
|----------|---------|--------|--------|-------------------|------|-------------|
| DY-BEF45 | 1131 mm | 560 mm | 219 mm | 1054 mm x 335 mm | 5000 | 1829 mm |
| | 44½ in. | 22 in. | 8⅞ in. | 41½ in. x 13¼ in. | | 72 in. |



| | A* | B | C* | D | E | F | G | H | I |
|----------|---------|--------|--------|---------|---------|--------|--------|---------|---------|
| DY-BEF45 | 1131 mm | 219 mm | 560 mm | 1156 mm | 435 mm | 57 mm | 32 mm | 1054 mm | 335 mm |
| | 44½ in. | 8⅞ in. | 22 in. | 45½ in. | 17⅞ in. | 2¼ in. | 1¼ in. | 41½ in. | 13¼ in. |

*A & C includes louver projections

Electrical Specifications

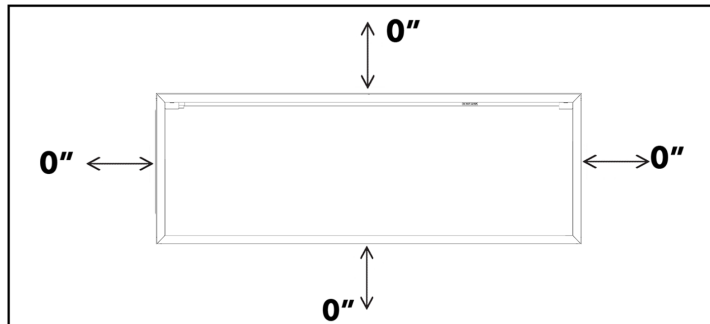
| Model | Circuit | Max Power Consumption | Lighting Only | Standby | Outlet | Certification |
|----------|------------------|-----------------------|---------------|---------|---|---------------|
| DY-BEF45 | 15A, 120V / 60Hz | 1500 W | 25 W | 1.5 W | <ul style="list-style-type: none"> Standard (type B) Hardwire ready | CSA |

Harmony 45" Electric Fireplace

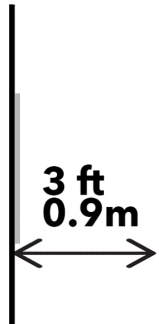
Specifications Sheet



Clearances



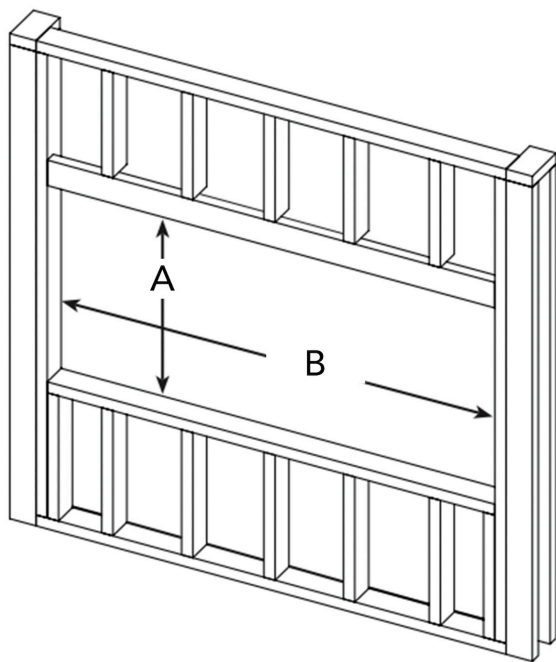
Front View



Side View

| Minimum Clearances to Combustibles | |
|------------------------------------|------------|
| Top | 0" |
| Sides | 0" |
| Back | 0" |
| Bottom | 0" |
| Front | 36" / 0.9m |

Framing



| Framing Dimensions | |
|--------------------|---------|
| A | 22½ in. |
| | 570 mm |
| B | 45 in. |
| | 1145 mm |
| Depth | 8 in. |
| | 204 mm |

Product installation must adhere strictly to instructions accompanying product to avoid risk of fire and potential injury



Dynasty Fireplaces, Ltd.
 10-3071 No. 5 Road, Richmond, BC V6X 2T4 Canada
 +1 877-521-1009 | 604-821-1009 |
 support@dynastyfireplaces.com | dynastyfireplaces.com

