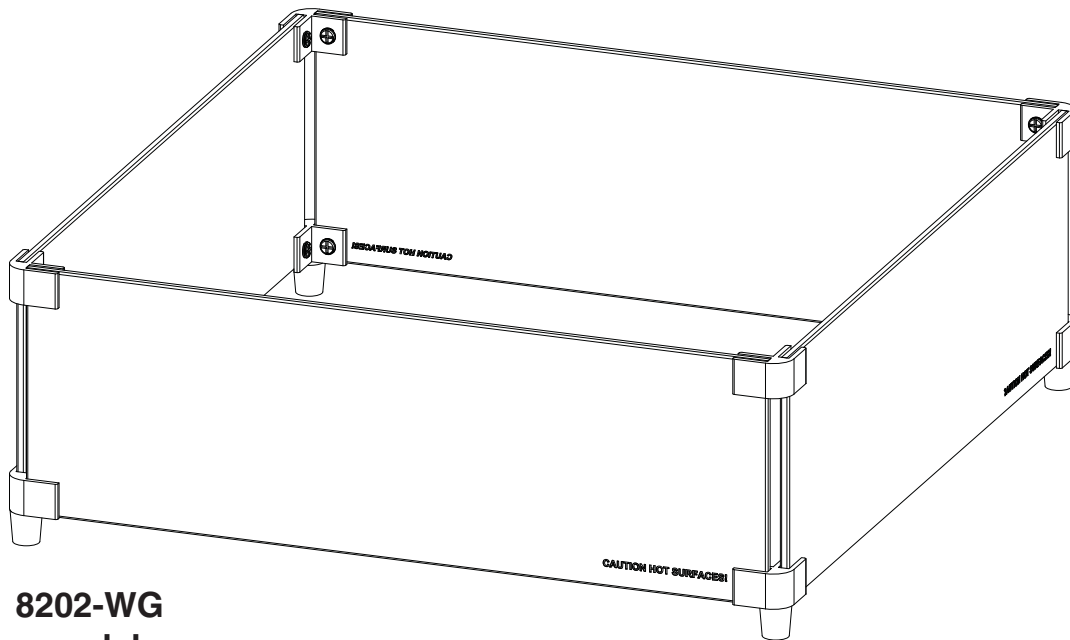


# WIND GUARDS

Square Model: 8202-WG

Rectangular Model: 8204-WG

Square Dining Model: 8210-WG



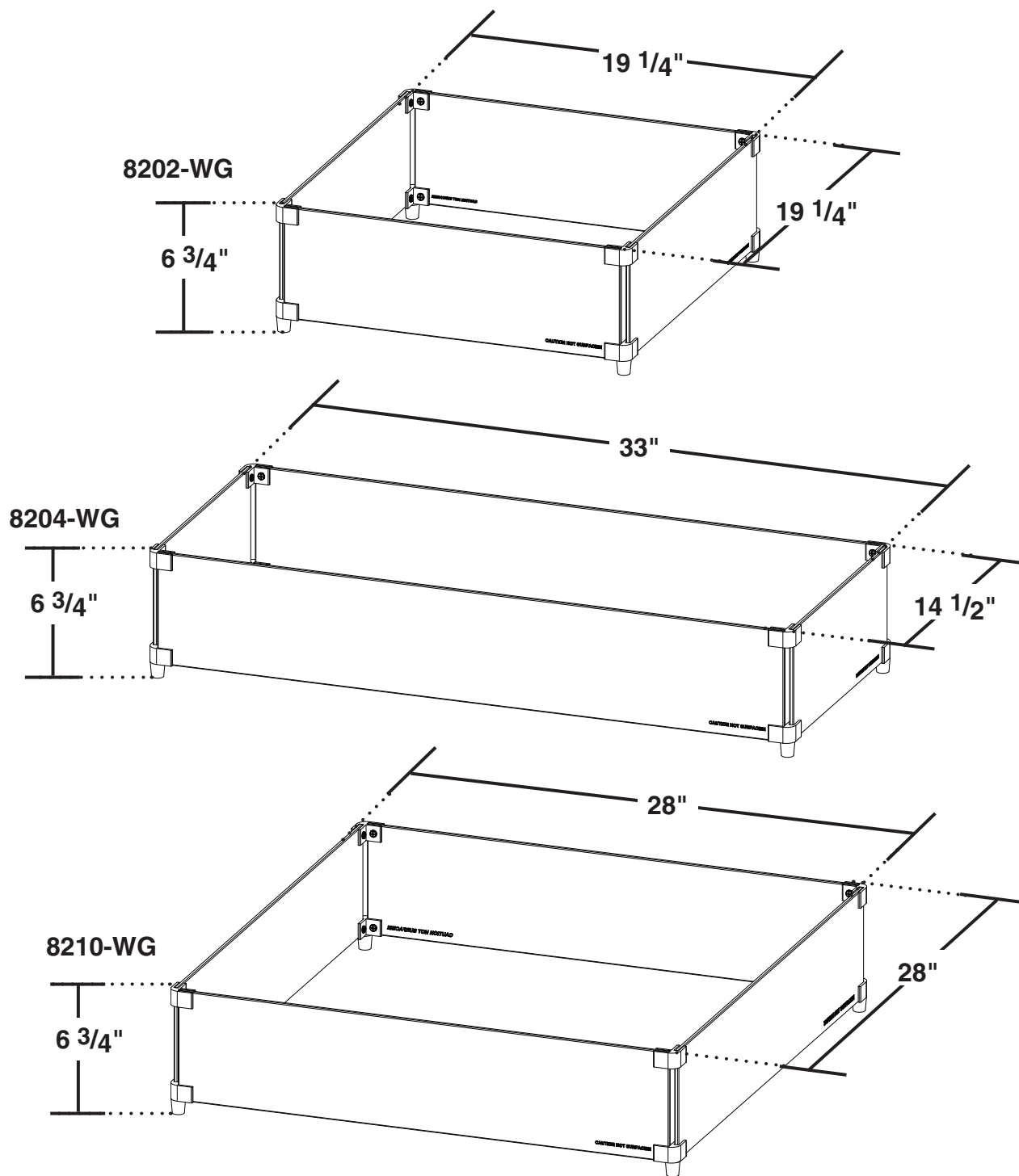
8202-WG  
model  
shown

## SPECIFICATIONS AND DIMENSIONS

This wind guard is for use with your American Fyre Designs firetable.

**CAUTION:** DO NOT touch any part of this accessory during operation or when HOT! The glass panels and other surfaces get HOT and can cause burns if touched.

**Be sure the firetable and this accessory are completely cool when handling.**

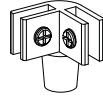
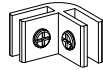


## TOOLS REQUIRED

- Phillips screwdriver
- 2 assemblers recommended
- Soft cotton gloves for handling glass panels

**Note:** Use a soft non-abrasive surface for assembly to prevent any damage.

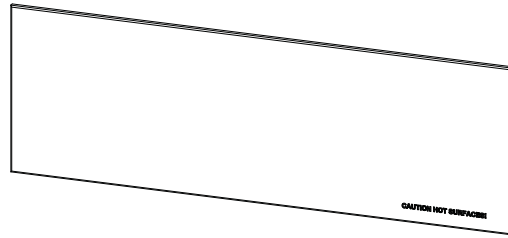
# PARTS LIST



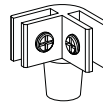
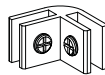
**Bracket kit**  
**(QTY of 4 top & 4 bottom)**  
WG-BK-1

1x

8202-WG



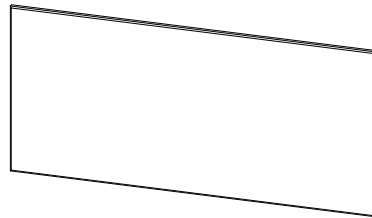
**Glass panel**  
8202-03  
4x



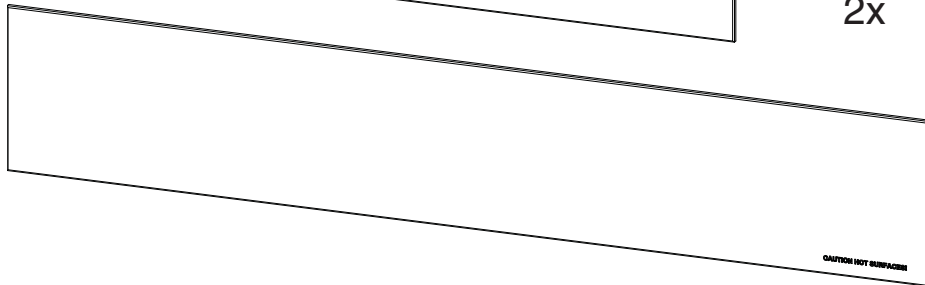
**Bracket kit**  
**(QTY of 4 top & 4 bottom)**  
WG-BK-1

1x

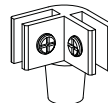
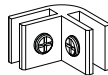
8204-WG



**Glass panel**  
8204-03  
2x



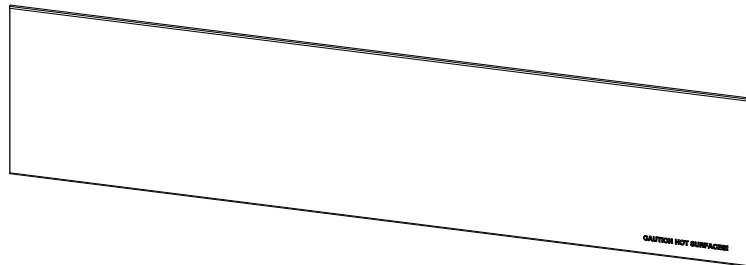
**Glass panel**  
8204-04  
2x



**Bracket kit**  
**(QTY of 4 top & 4 bottom)**  
WG-BK-1

1x

8210-WG



**Glass panel**  
8210-03  
4x

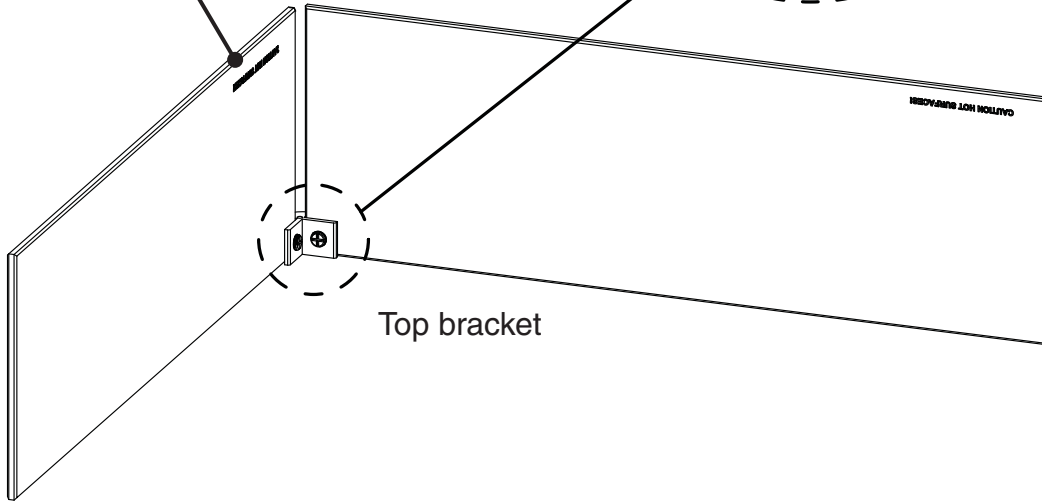
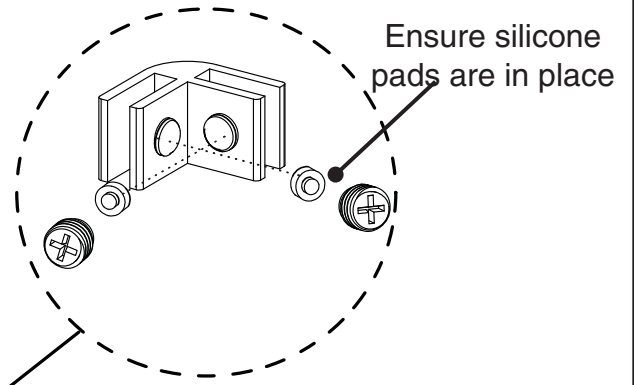
**IMPORTANT**  
Remove all packing material  
and discard prior to use.



# 1 Assemble 2 panels w/ top bracket

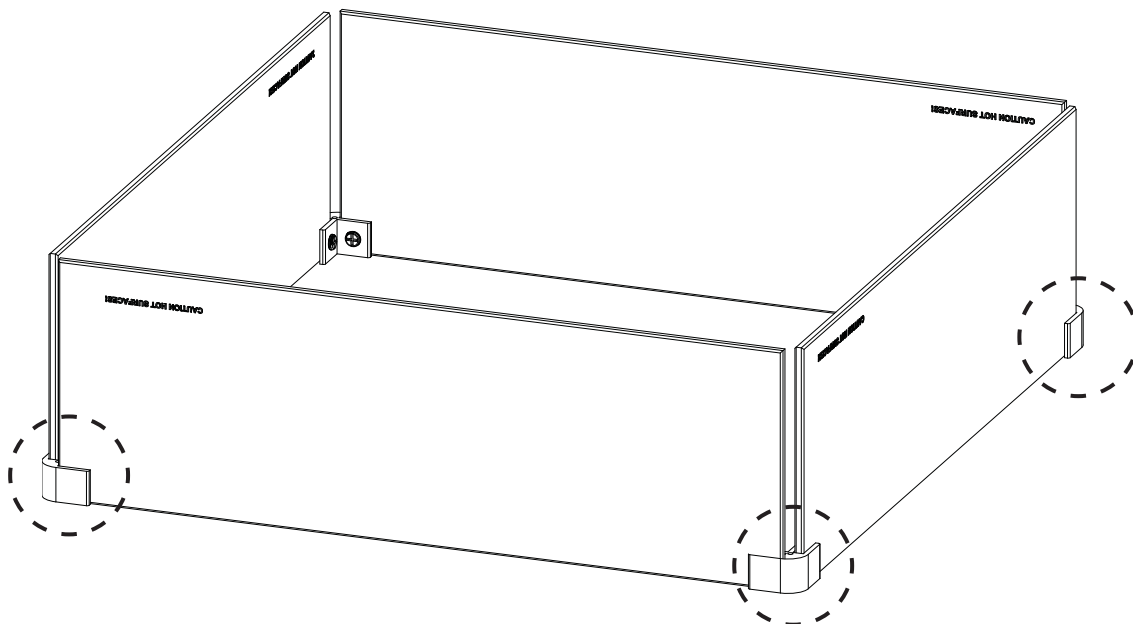
8202-WG assembly shown

Glass panels (and warning etchings) are upside down



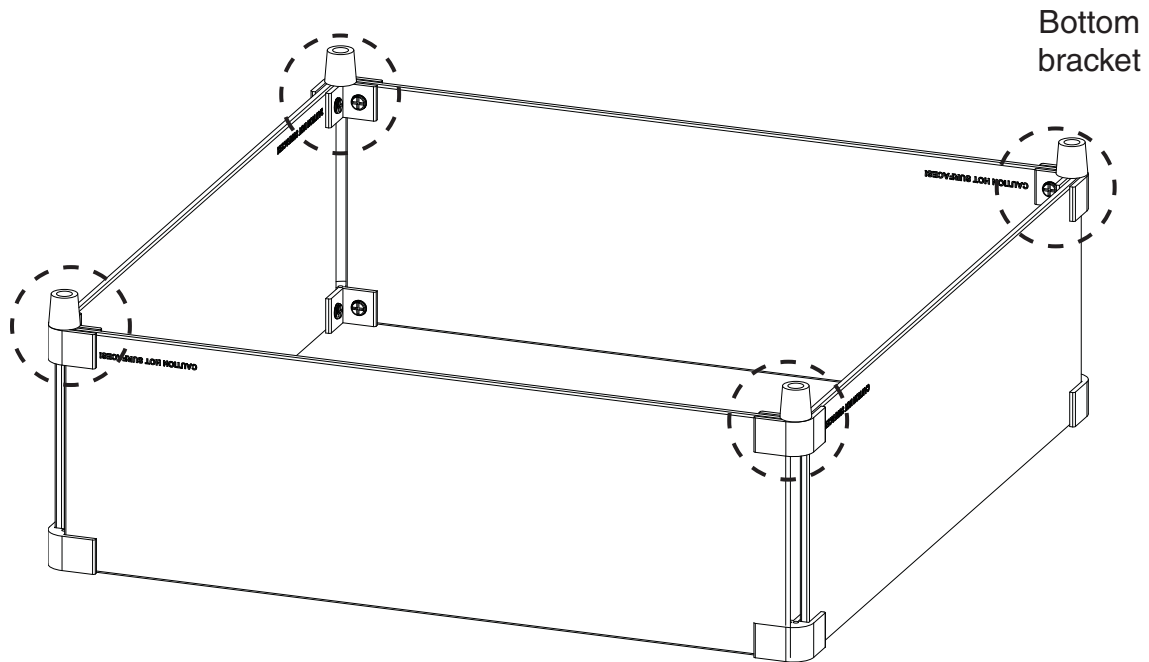
Assemble upside down (as shown) for ease of assembly.

# 2 Assemble all panels w/ remaining top brackets



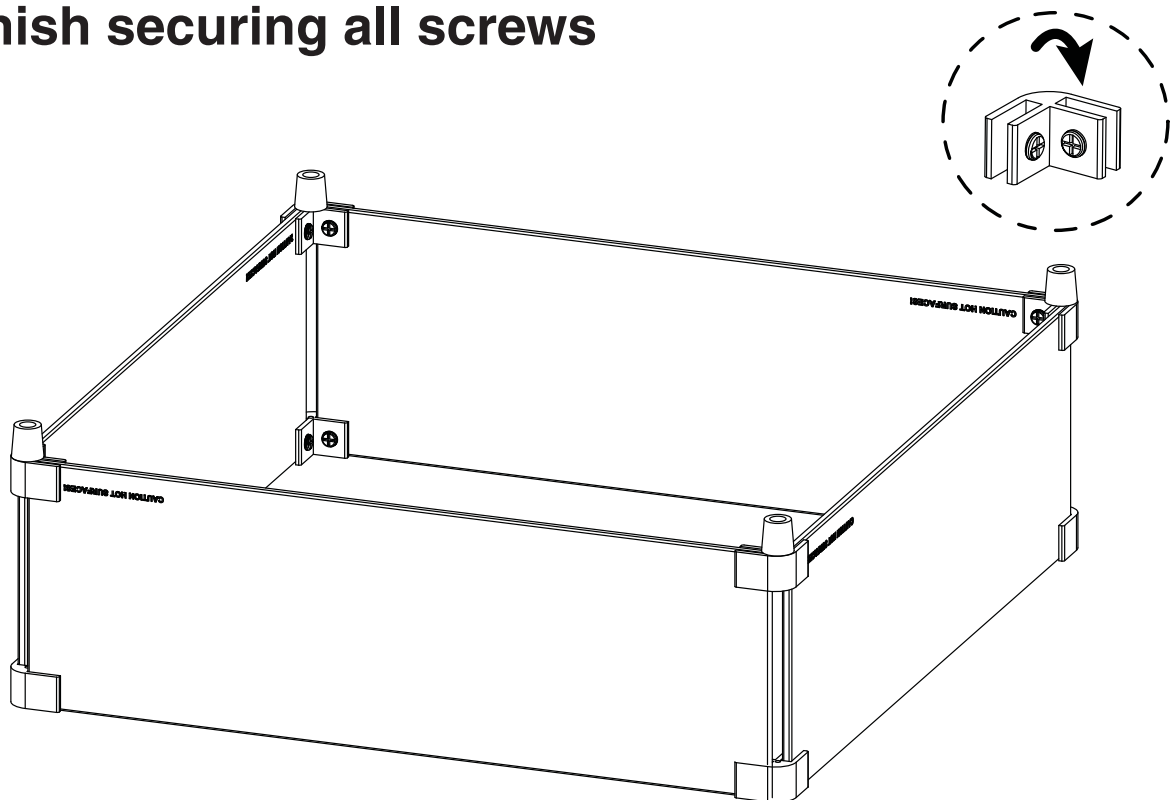
**DO NOT** overtighten screws. Tighten until snug. Overtightening can break glass.

### 3 Install bottom brackets



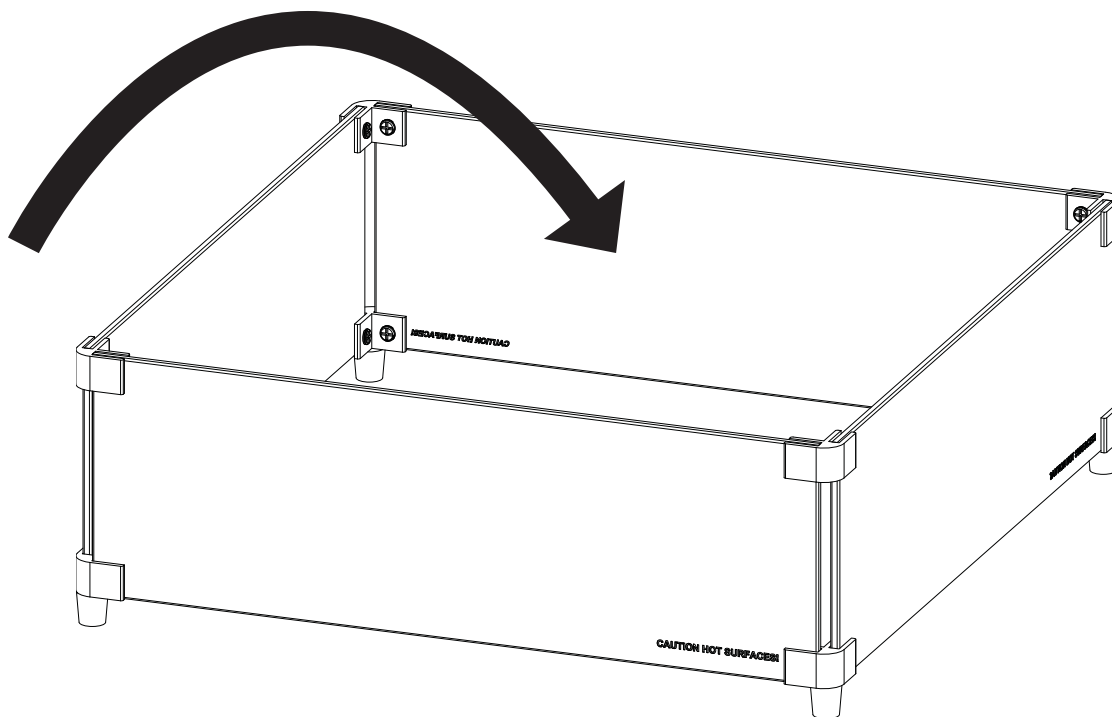
**DO NOT** overtighten screws. Tighten until snug. Overtightening can break glass.

### 4 Finish securing all screws



Gently secure all screws (on all brackets) 1/4" to 1/2" turn until panels are secure. **DO NOT OVERTIGHTEN.**

# 5 Install on firetable



Flip and position wind guard on firetable.

## CARE AND CLEANING

- Clean the glass periodically to remove any build-ups caused by the elements and combustion. It is recommended that the glass be cleaned 2-3 times during each heating season, depending on use and environment conditions.
- Clean using a non-abrasive glass cleaner and a clean lint-free cloth.
- Never attempt to clean glass while hot.
- DO NOT touch glass while in operation or within 10 minutes following use.

