

## FARRINGTON OPTIONAL STAND FITTING INSTRUCTIONS

---

### Applicable Part Numbers (NOTE : xxx– Denotes Colour Option)

LOG-FAR-S-xxx	STAND-FAR-S-xxx	PEDESTAL-FAR-S-xxx
LOG-FAR-M-xxx	STAND-FAR-M-xxx	PEDESTAL-FAR-M-xxx
LOG-FAR-L-xxx	STAND-FAR-L-xxx	PEDESTAL-FAR-L-xxx



#### **WARNING : Health and Safety**

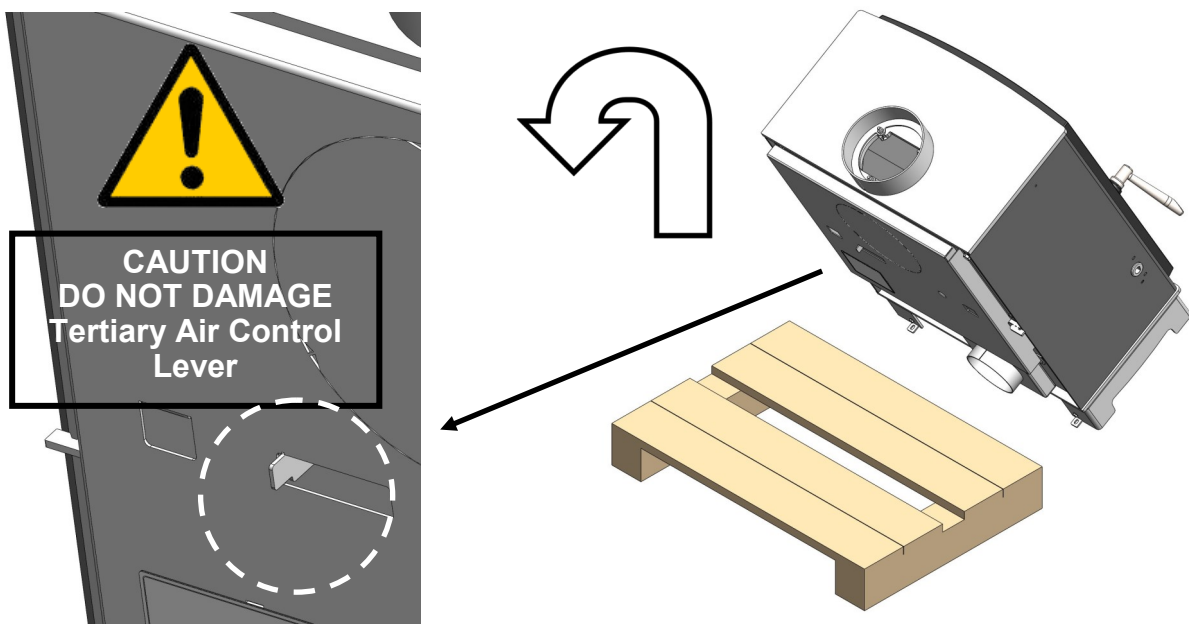
Please consult health and safety guidelines for advice on handling heavy and / or large items. When lifting the appliance we recommend you always obtain assistance when handling.

### Fitting Instructions :

*All Farrington stoves are factory fitted with the standard feet assemblies, however if it is so desired, this can be removed and an optional stand, pedestal or log store can be fitted, so that the appliance height can be raised.*

#### **STEP 1:**

*To remove the factory fitted feet assembly, carefully lower the stove onto its rear, taking care not to damage the heatshield and tertiary air control lever which protrudes through the heatshield. We recommend lowering the stove onto the packing pallet, that it was delivered on, this can be seen below.*



## FARRINGDON OPTIONAL STAND FITTING INSTRUCTIONS

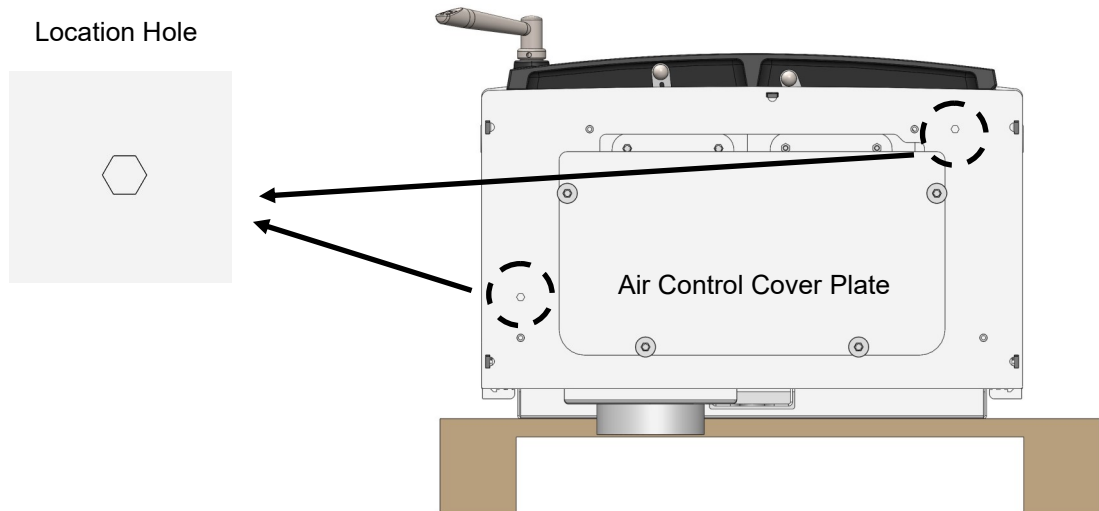
### STEP 2:

With the stove safely resting on its back, proceed to remove the 4 off fixings and remove the factory fitted feet assembly. Keep this item safe, for future use.

### STEP 3:

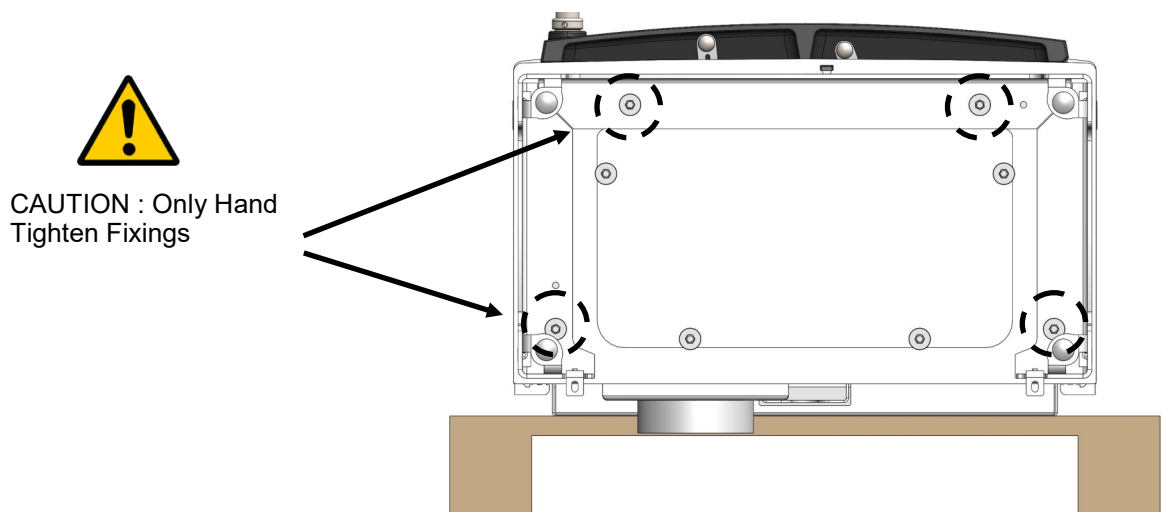
This step is **applicable for log store or stand assembly**, there is no need to remove the air control cover plate, as either the log store or stand sit around this cover.

Please note the 2 no location holes (hexagonal or round, depending upon version of the stove), these line up with the corresponding location pins within the log stove or stand assemblies.



### STEP 4:

Position either the log store or stand assembly, against the appliance base. Locate the positioning pins into the hexagonal or round mount holes. Affix the 4 off fixing screws and washer, provided with the accessory. Only hand tighten these fixings, otherwise damage to the threads may occur.

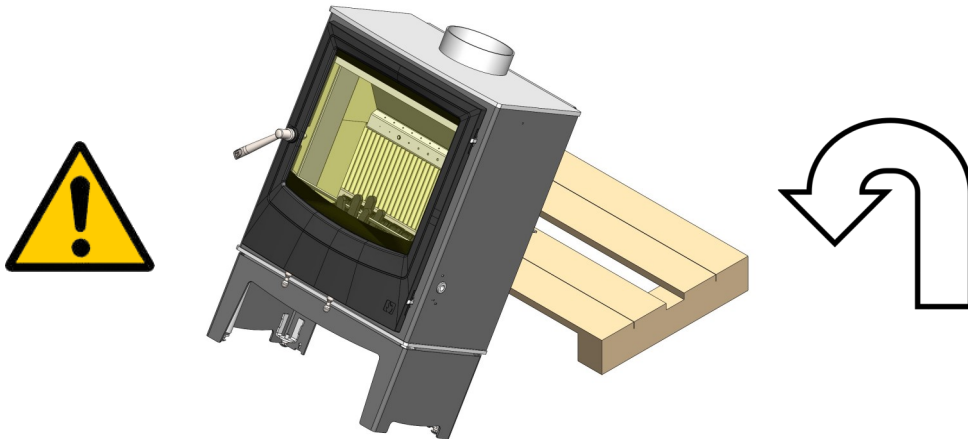


## FARRINGDON OPTIONAL STAND FITTING INSTRUCTIONS

---

### STEP 5:

Taking care, return the appliance to the upright position. Extra caution will be needed as the centre of gravity will have moved by fitting the new accessory.



### STEP 6:

This step is **applicable for Pedestal stand assembly ONLY**.

Please follow steps 1 & 2 and with the stove resting on its back, remove the air control cover plate and fixings, the pedestal stand assembly will cover this opening within the base plate, so please keep this cover plate safe for future use.

### STEP 7:

Position the pedestal stand assembly, against the appliance base. Locate the positioning pins into the hexagonal or round mount holes. Affix the 4 off fixing screws and washer, provided with the accessory. Only hand tighten these fixings, otherwise damage to the threads may occur.

### STEP 8:

Return the appliance to the upright position, again take extra care when handling.

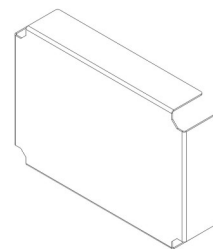
### STEP 9:

If your stove is to be installed with a direct air vent, then the pedestal stand has a rear duct connector, allowing for the external air supply to the stove. This will mean that the rear air duct within the stove body will need to be closed off. Depending upon the model generation of Farringdon either of the below cover plates will be required (both supplied with accessory kit).

Farringdon Generation 1  
(Round Cover Plate)



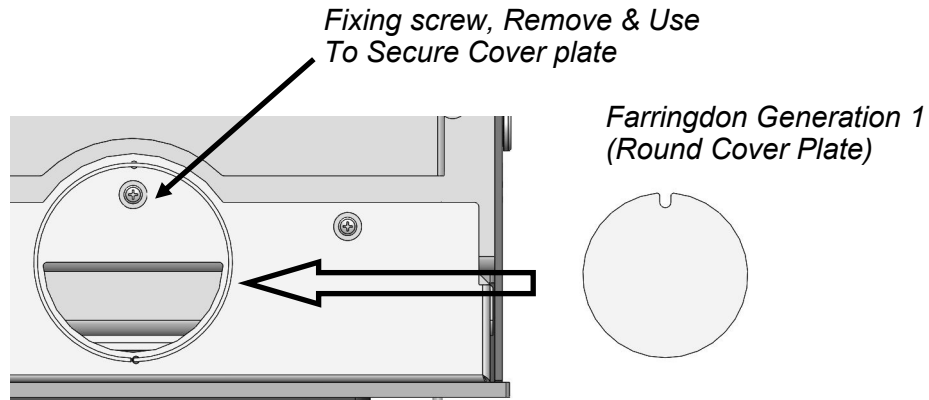
Farringdon Generation 2  
(Rectangular Cover Plate)



## FARRINGTON OPTIONAL STAND FITTING INSTRUCTIONS

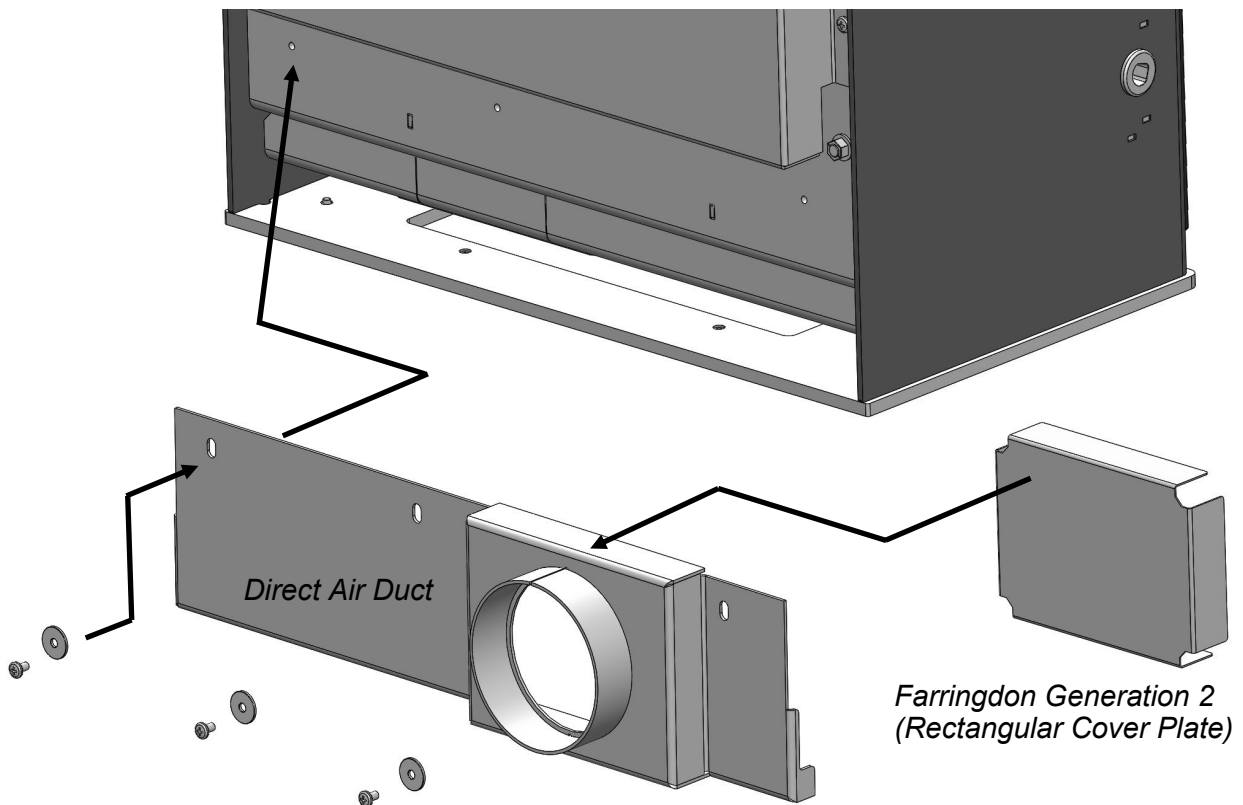
### STEP 10:

If you have a Generation 1 Farrington, looking at the rear of the stove, locate the fixing screw mounted within the circular duct connection. Remove this fixing and place the round cover plate inside the duct, replace the fixing and thus securing the cover plate.



### STEP 11:

For the Generation 2 Farrington models, it is necessary to remove the direct air duct from the rear of the stove assembly. With the duct removed, place the rectangular cover plate within the rectangular section of the duct assembly. Refit this assembly onto the stove, the cover plate is retained between the stove and duct assembly and thus blocking the air from entering the stove via the circular duct.

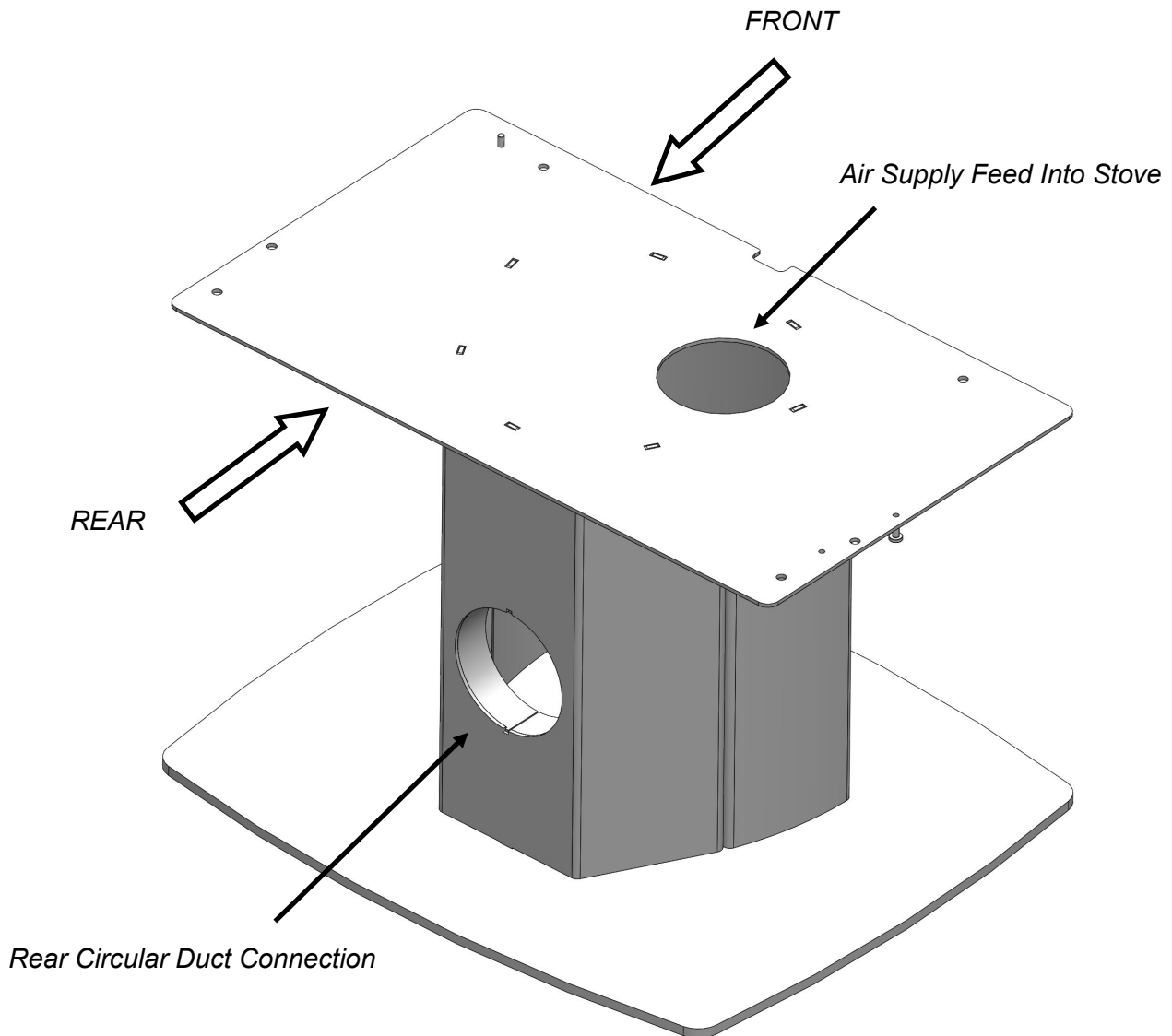


## FARRINGDON OPTIONAL STAND FITTING INSTRUCTIONS

---

### ***ADDITIONAL NOTES (pedestal stand assembly):***

*If you are connecting the stove to a direct air supply, the pedestal stand has a rear duct for connection. This circular hole has an internal size suitable for 100mm diameter pipe.*



***Farringdon Pedestal Assembly  
(Looking At Rear of Unit)***

## FARRINGTON OPTIONAL STAND FITTING INSTRUCTIONS

### **ADDITIONAL NOTES :**

For Farrington Large, Large Eco, Catalyst Eco & Farrington 16, models only, the following instructions apply irrespective of fitting a stand, log store or pedestal.

A separate screw is supplied, that can be used as a location pin positioning marker, depending upon the models of Farrington being installed. Simply affix the screw in the appropriate hole that corresponds to the hexagonal or round hole cut into the base of your stove, this will then act as a positioning or location marker.

*Example—Shown Pedestal Assembly,  
Also Applicable To Stand & Log Stores,  
For The Models Listed Above.*

