



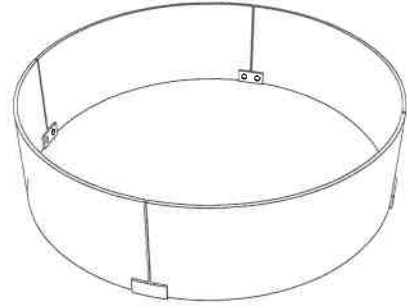
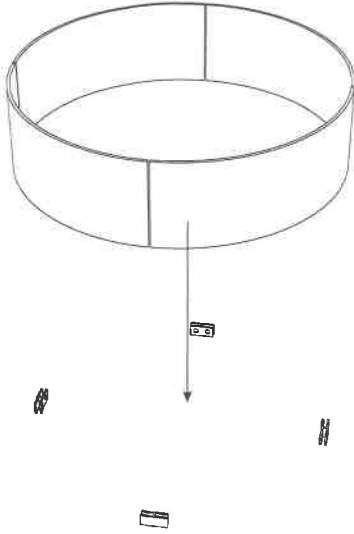
AWS-RND22



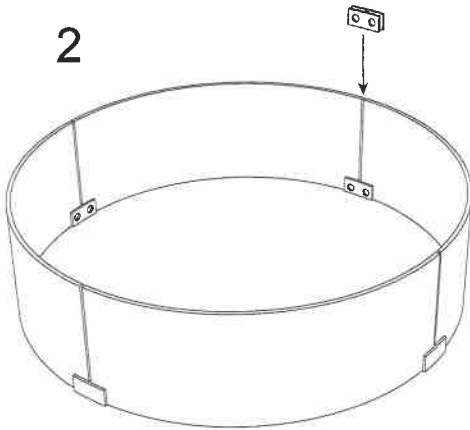
WARNING

1. Do not touch during or after use.
2. Do not let children touch.
3. Do not overexert yourself during assembly to prevent damage.

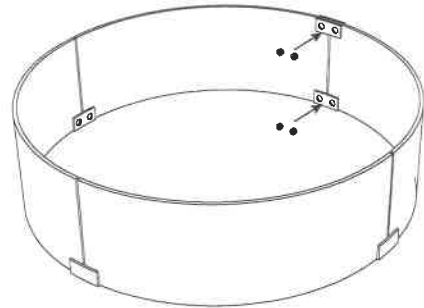
1



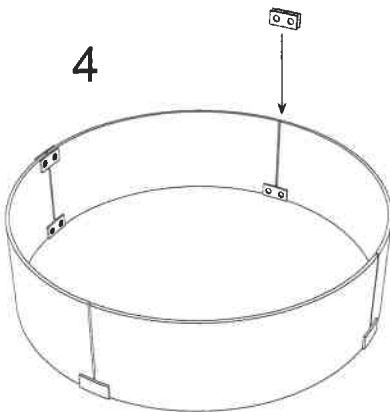
2



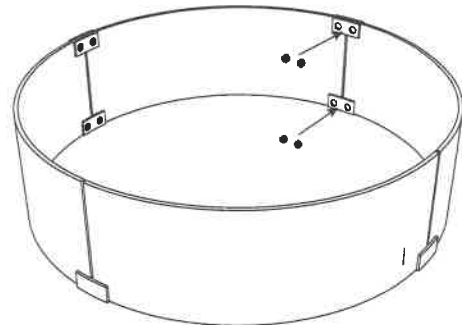
3



4



5



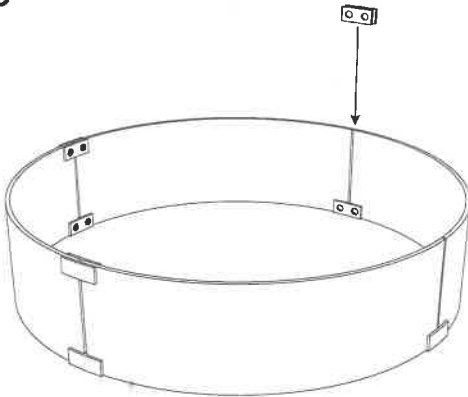
Questions, problems, missing parts? Before returning to your retailer, call our customer service department at **1-888-775-1330**, 7 a.m. - 4 p.m., PST, Monday – Friday, or email warranty@azpatioheaters.com



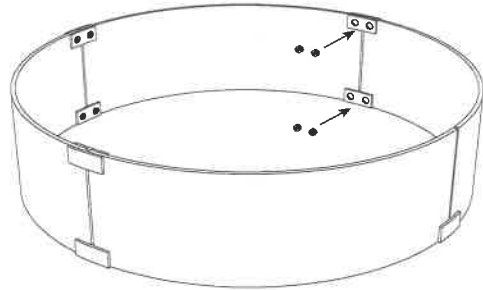
! WARNING

1. Do not touch during or after use.
2. Do not let children touch.
3. Do not overexert yourself during assembly to prevent damage.

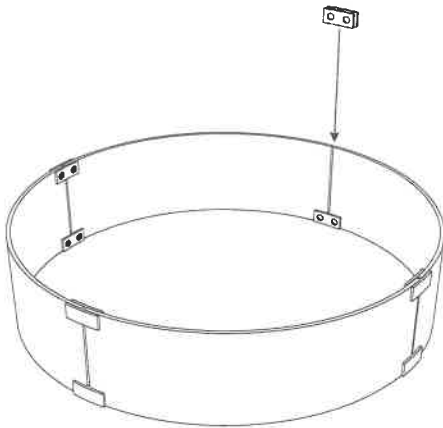
6



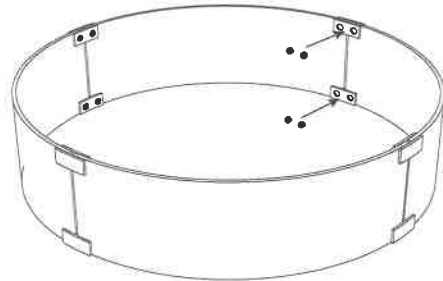
7



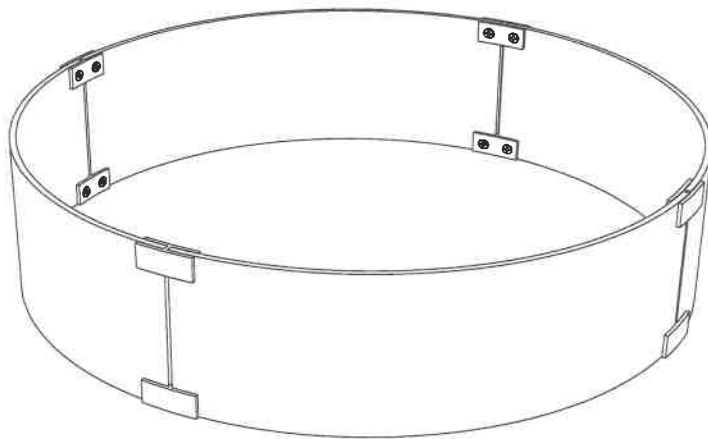
8



9



10



Questions, problems, missing parts? Before returning to your retailer, call our customer service department at **1-888-775-1330**, 7 a.m. - 4 p.m., PST, Monday – Friday, or email warranty@azpatioheaters.com