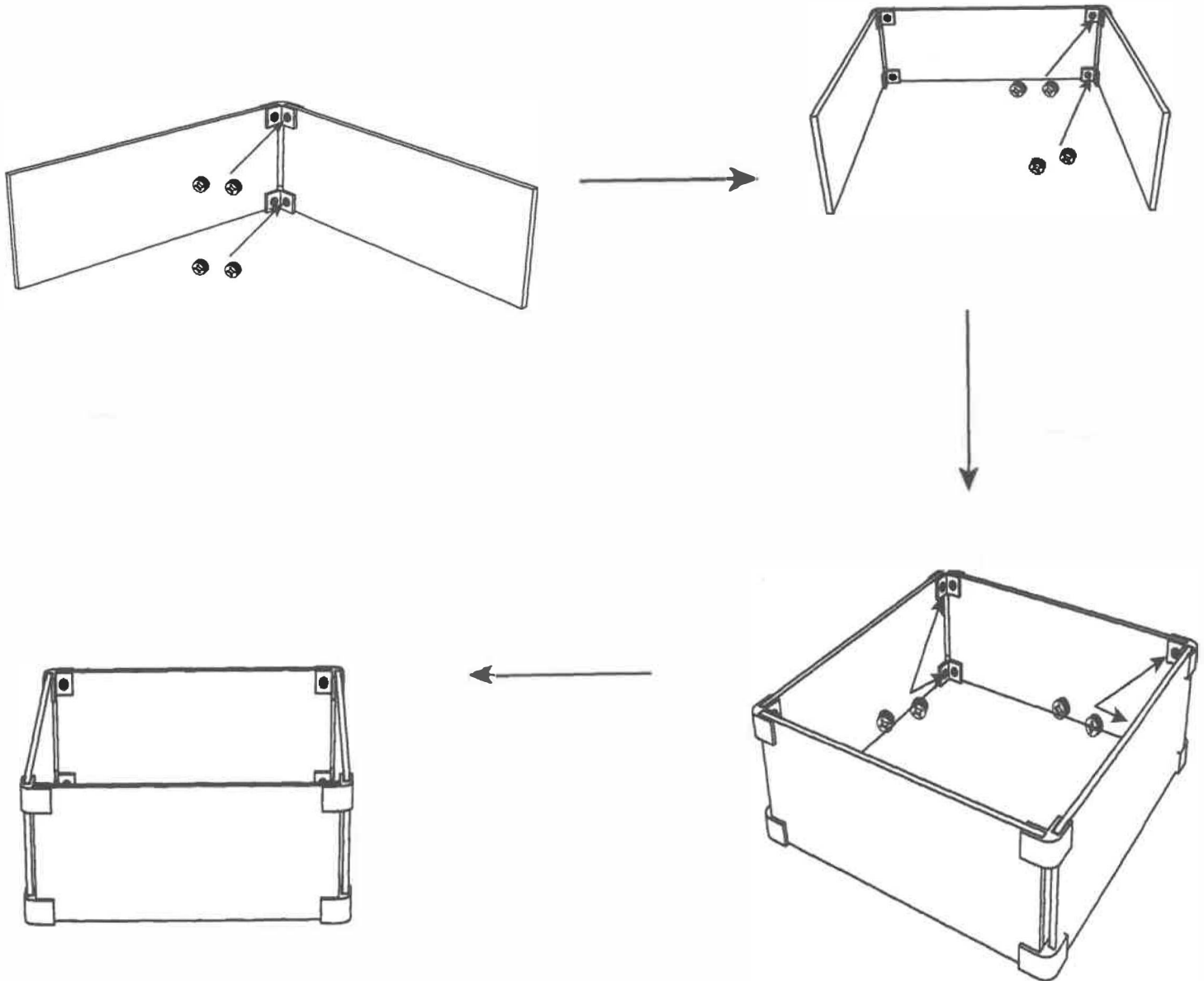




**ITEM# AWS-RT30**

**! WARNING**

1. Do not touch during or after use.
2. Do not let children touch.
3. Do not overexert yourself during assembly to prevent damage.



**Questions, problems, missing parts?** Before returning to your retailer, call our customer service department at **1-888-775-1330**, 7 a.m. - 4 p.m., PST, Monday – Friday, or email [warranty@azpatioheaters.com](mailto:warranty@azpatioheaters.com)