

Burner Collection

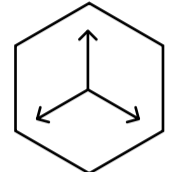
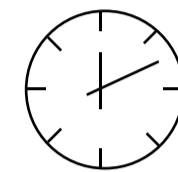
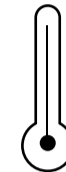
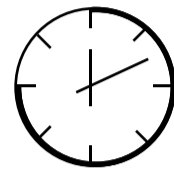
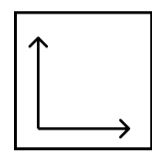
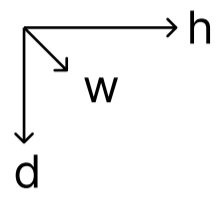
13" Burner



Included Accessories



Burner Collection 13" Burner



Dimensions H x W x D mm/in	Fuel Capacity	Heats on Average (indoors)	Fuel Consumption	Thermal Output Net (MAX)	Approx. Burn Time	Minimum Room Size (per burner)
64 × 330 × 127 2.5 × 13.0 × 5.0	0.7L	Over 40m ² [430 ft ²]	0.7L per hour	12,000 BTU/h 3.5 Kw	1 hours	150 sq. ft.

Awards

2010 Winner Outdoor Hearth Products
Vesta Awards

Application

Indoor & Outdoor

Burner Colour

 Stainless Steel

Materials

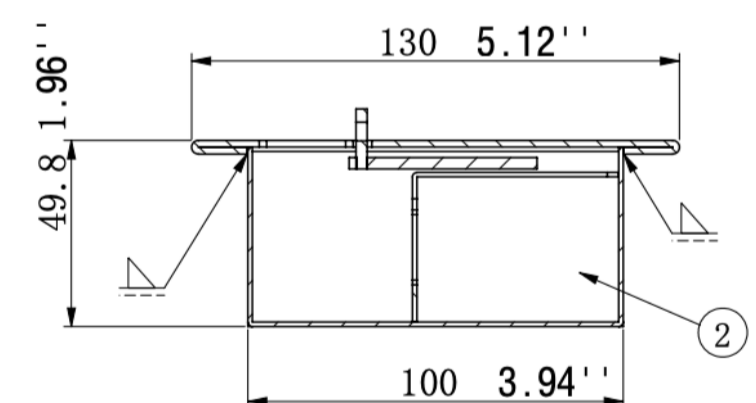
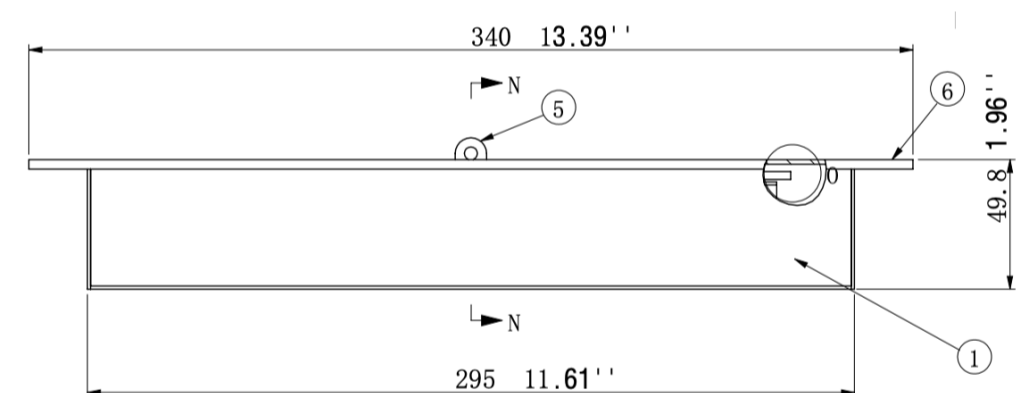
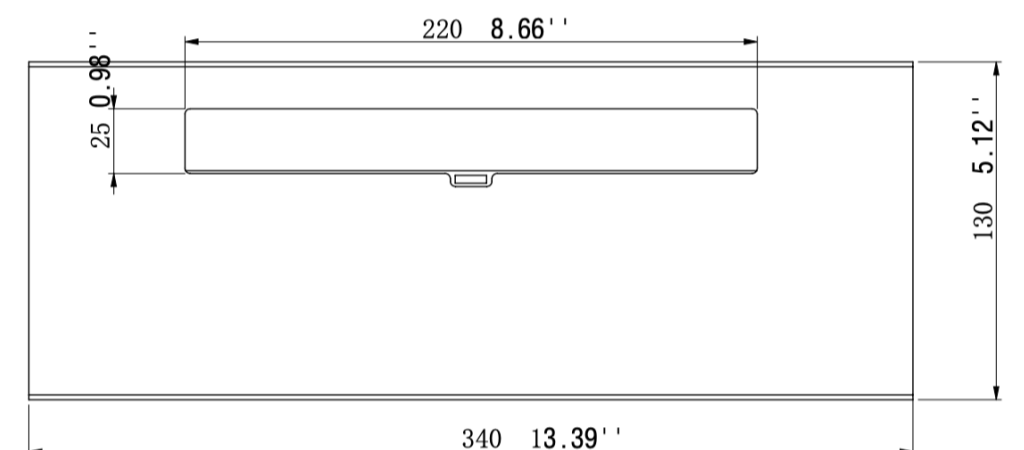
Grade 304 Stainless Steel Construction

Approx. Weight

7 lbs

Fuel Type

Bio Ethanol Fuel



Inserting within a firebox setting:

The Bio Flame 13" BURNER can only be fitted into a non-combustible firebox that has minimum clearances of 21"W x 20"H x 13"D.

Custom made fireboxes must:

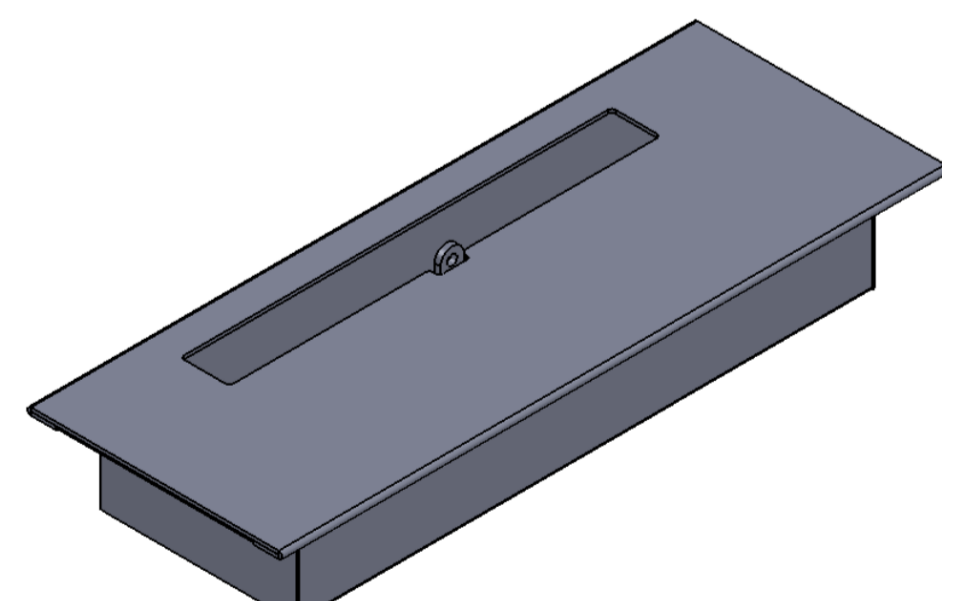
- Be made out of a non-combustible material such as stainless steel
- *When recessing the tray into a non-combustible base with no firebox, the overhead clearance required is 60"MIN. to the nearest combustible*



Global Compliance
All burners are UL Listed in accordance with ANSI/
UL1370 in the USA and comply with the ACCC Safety
Mandate for Australia.



Lifetime Warranty



FOR MORE INFORMATION PLEASE REFERENCE THE CLEARANCE & INSTALLATION MANUAL

*Dimensions may vary by 2% (plus or minus) due to material attributes. Template not provided. The Bio Flame recommends using the actual fireplace or burner model when making final cut out

