

# Wall Mount Collection

## Fiorenzo

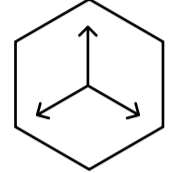
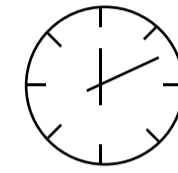
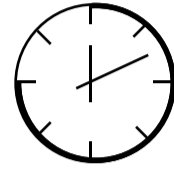
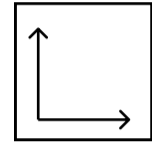
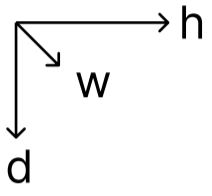


### Included Accessories

---



# Wall Mount Collection Fiorenzo



Dimensions H x W x D mm/in	Fuel Capacity	Heats on Average (indoors)	Fuel Consumption	Thermal Output Net (MAX)	Approx. Burn Time	Minimum Room Size (per burner)
579 × 849 × 168 23.8 × 33.4 × 6.6	0.7L	Over 40m <sup>2</sup> [430 ft <sup>2</sup> ]	0.47L per hour	12,000 BTU/h 3.5 Kw	1.5 hour	150 sq. ft.

## Awards

2010 Winner Outdoor Hearth Products  
Vesta Awards

## Application

Indoor & Outdoor

## Burner Size

13" Burner

## Materials

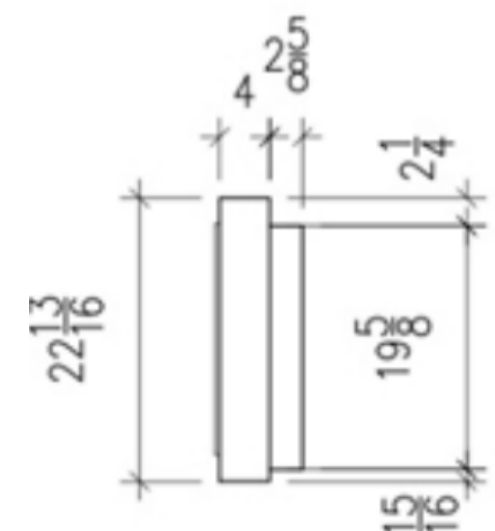
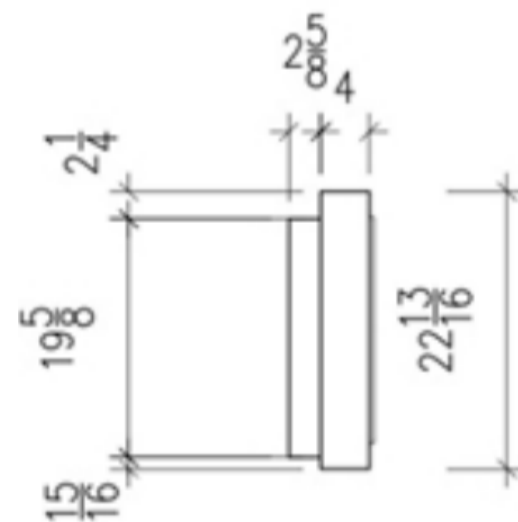
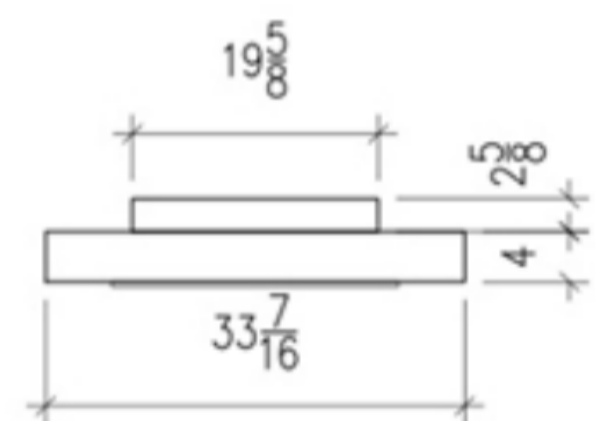
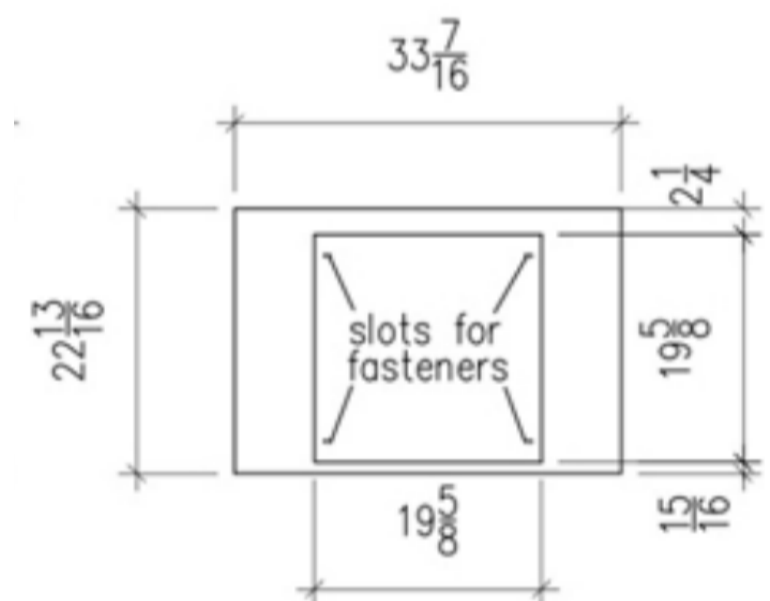
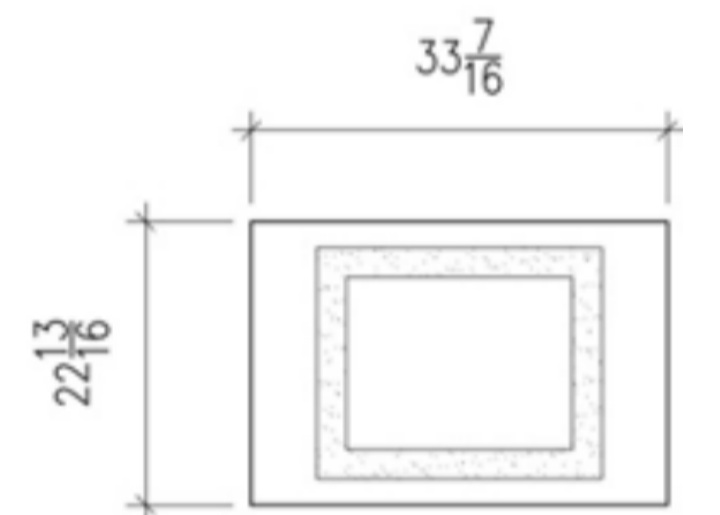
Stainless Steel Firebox Construction  
Brushed Stainless Steel Fascia  
8mm Tempered Glass

## Approx. Weight

55 lbs

## Fuel Type

Bio Ethanol Fuel



Global Compliance  
All burners are UL Listed in accordance with ANSI/  
UL1370 in the USA and comply with the ACCC Safety  
Mandate for Australia.



Lifetime Warranty

**FOR MORE INFORMATION PLEASE REFERENCE THE CLEARANCE & INSTALLATION MANUAL**

\*Dimensions may vary by 2% (plus or minus) due to material attributes. Template not provided. The Bio Flame recommends using the actual fireplace or burner model when making final cut out

