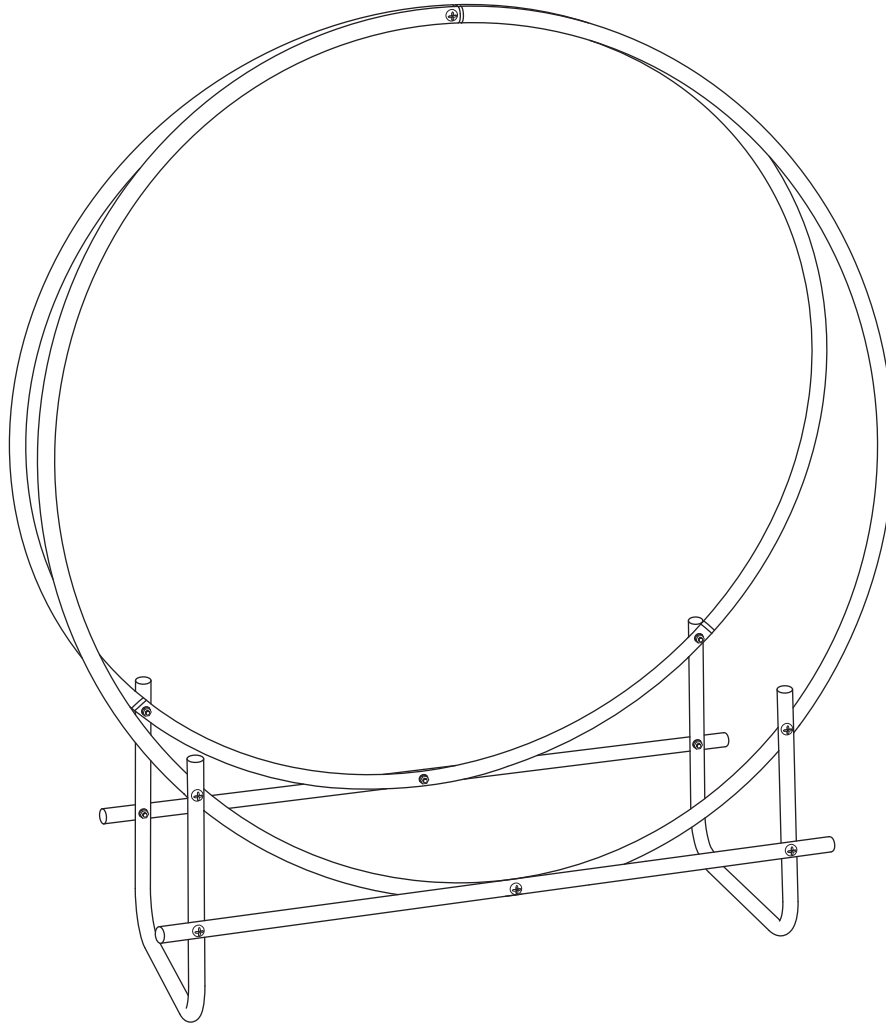






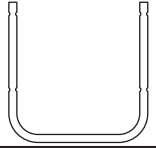


Thank you for choosing Sunnydaze Decor. We stand behind our brand and the quality of the items we sell. Replacement parts or products will be sent at our discretion within the 1-year warranty period. Proof of purchase, with the date of purchase as well as photos of the merchandise defect, must be provided. Photos are used to determine the cause of defects and for future quality control. Register your warranty at <https://tiny.cc/SunnydazeWarranty>. If you have any questions, comments or concerns, feel free to contact us by phone at 833-982-1977, by email: [customerservice@sunnydazedecor.com](mailto:customerservice@sunnydazedecor.com), or via our contact us page at <https://tiny.cc/SunnydazeContact>

# LOG HOOP

Review all assembly and care information carefully before using this product. Save this manual for future reference.  
**Assemble components on a soft, clean surface to avoid damaging the finish.**

Inspect packaging to ensure all parts are accounted for before disposing of packing materials.  
 Save the packing slip.

No.	PARTS	QTY.
A	 Upper Tube	4
B	 Lower Tube	2
C	 Stretcher	2
D	 Leg	2
E	 M6x37mm Bolt	11
F	 M9 Flange Nut	11

## ! WARNING !

**CHOKING HAZARD** — This item contains small parts that can be swallowed. Keep children and pets away during assembly.

# ASSEMBLY

Review all steps and understand assembly before beginning.

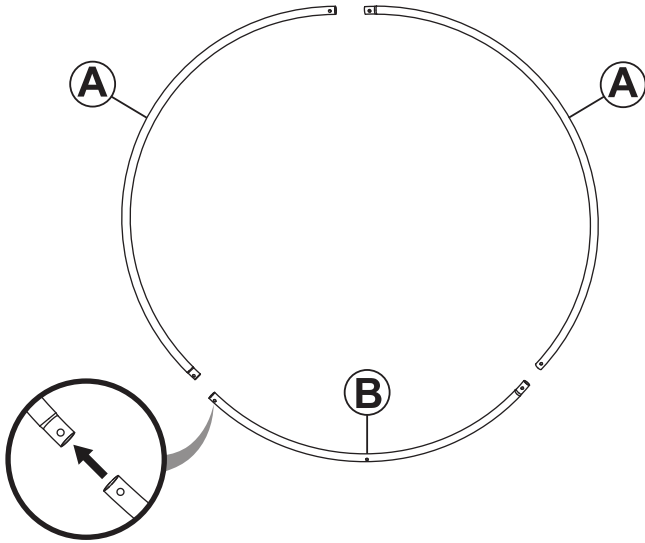
**Do not fully tighten hardware until all components have been loosely assembled.**

## STEP 1

A: 4

B: 2

# x2



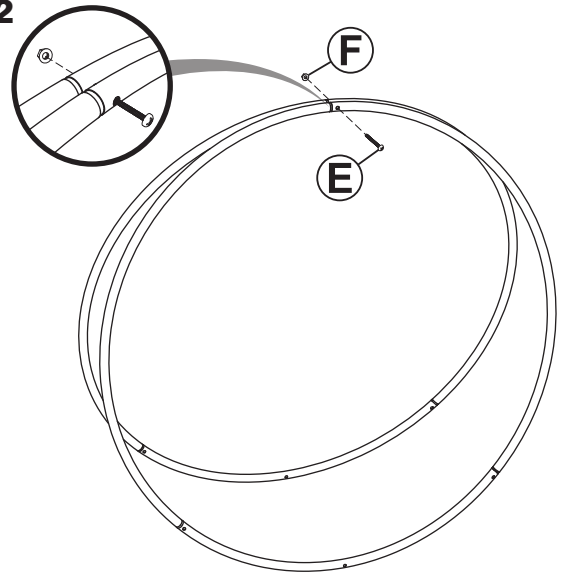
Align the mounting holes of two Upper Tubes (A) with one Lower Tube (B).

Repeat with the remaining upper and lower tubes.

## STEP 2

E: 1

F: 1



**NOTE:** The top of each log hoop has one mounting hole, the bottom of the log hoop has 3 holes.

Loosely secure the top of the assembled tubes using one M6x37mm Bolt (E) and one Flange Nut (F).

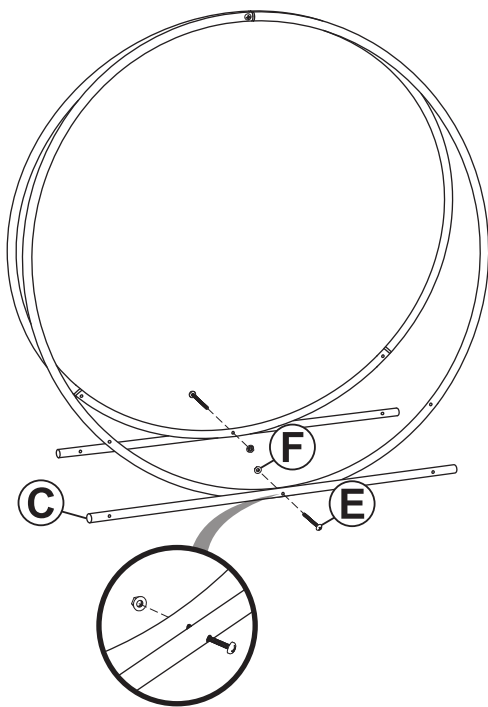
**Do not fully tighten hardware until after Step 4 is completed.**

## STEP 3

C: 2

E: 2

F: 2



Loosely secure two Stretchers (C) to bottom, outer side of each log hoop using Bolts (E) and Nuts (F), as shown.

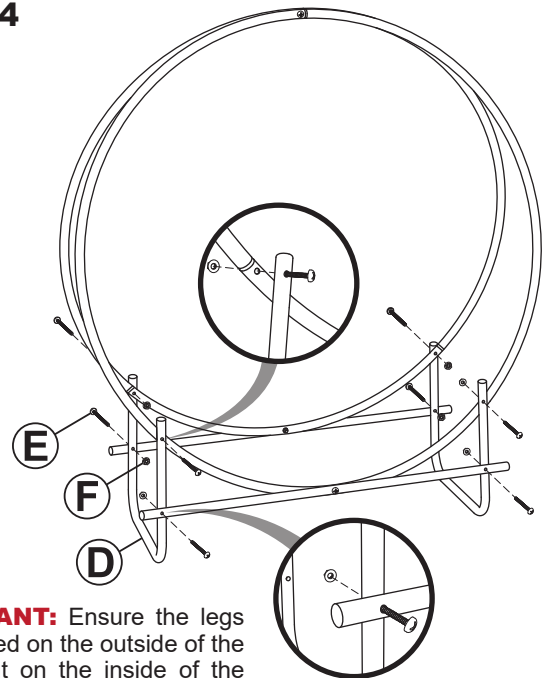
**Do not fully tighten hardware until after Step 4 is completed.**

## STEP 4

D: 2

E: 8

F: 8



**IMPORTANT:** Ensure the legs are installed on the outside of the hoops, but on the inside of the stretchers, as shown.

Align Legs (D) with the hoops and stretchers and loosely secure using four Bolts (E) and Nuts (F).

Repeat to secure the remaining leg.

**Fully tighten all hardware after this step is complete.**

# Care & Maintenance

**SAFE USE:** Only use on a flat, level surface.

**INSPECT:** Periodically check assembly points and tighten fittings as necessary.

**CLEANING:** Use a damp cloth to clean. Do not use abrasive cleaners as doing so may cause parts to tarnish or rust.

## SAFETY STATEMENTS & WARNINGS

- Place log rack on a hard, dry surface.
- Do not overload the log rack.
- Ensure fittings are tight before use. Periodically check and tighten hardware as necessary.
- Protect the unit from outdoor elements with a cover. Cover not included.
- Do not allow children to play with or around the log rack.

**Any modification to the product or failure to follow recommended care will void the product warranty.**

*If you experience issues with assembly or the product was damaged during shipping, please contact our customer service team through one of the methods mentioned at the top of page 1.*

*Please have the item number and order information ready to expedite response time.*

## WARNING!

**Manufacturer and seller expressly disclaim any and all liability from personal injury, property damage or loss, whether direct or indirect, or incidental, resulting from the incorrect attachment, improper use, inadequate maintenance, or neglect of this product.**