



Cool. Clean. Comfort.

# Instruction Manual

Evaporative Air Cooler

CK4500-S



- Portable -

- Easy to Operate -

- Low Maintenance -

- Energy Efficient -

# Attention!

The following is important information regarding your warranty.

Please read before opening  
and operating your unit.

## Important Safety Instructions

READ AND SAVE THESE IMPORTANT SAFETY  
INSTRUCTIONS BEFORE USING THIS UNIT

WHEN USING ELECTRICAL APPLIANCES, BASIC PRECAUTIONS SHOULD ALWAYS BE  
FOLLOWED TO REDUCE THE RISK OF FIRE, ELECTRICAL SHOCK AND INJUURY TO PERSONS,  
INCLUDING THE FOLLOWING:

1. The unit should always be placed on a firm and flat surface, and at least 10 inches away from the wall.
2. The unit should not be used in a small, enclosed room while using the COOLING function without ventilation for long periods of time. The air could become saturated and leave condensation on the walls. Leave a door/window partially open when used indoors.
3. Before using the unit, check the cord for any signs of damage. DO NOT use the unit if the cord has been damaged. Plug into 110 v outlets to avoid fire or shock hazards.
4. The appliance should be unplugged and emptied when not being used for long periods of time. Shut off and unplug the unit before moving. DO NOT tilt while the unit is in operation. Plug and unplug with dry hands, and never unplug by tugging on cord.
5. The COOLING (snowflake) feature will only operate when water is in the reservoir. Otherwise, the unit will run as a FAN only. First, fill with water. Then plug in, and then turn on your unit. The cooling will automatically begin and you will see a snowflake light up on the panel. If there is no water in the unit, the cooling will automatically shut off and a red light will appear, indicating that it needs more water. If there is no water, it will not harm the motor and will work properly as a regular fan. This is a safety feature.
6. This unit requires some maintenance; refer to cleaning instructions for details.
7. This unit is designed for outdoors. However, it can be used indoors in open spaces for short periods of time. There is no compressor in the unit and will not act as an air conditioner. It is not recommended as a daily household cooling unit, because of the moisture production in small areas can be harmful.
8. Do not insert any object inside the unit without proper care. Only water and ice should be added. Refer to cleaning instructions for details.
9. Do not attempt to repair or adjust any electrical or mechanical functions without consulting Cajun Kooling Support first. Doing so will void the warranty.
10. If you plan to NOT USE the unit for long periods of time, drain out all of the water from the reservoir to ensure lifelong durability. Then turn the unit on and run as the FAN function only, for approx. 30 mins. This ensures that the inside of the unit will be completely dry before storing.

## Warranty

Welcome to your new evaporative air cooler. After purchasing this product, please fill out the form below, and mail it to the Cajun Kooling address within 14 days of purchase. This will ensure you a 2-year warranty on all mechanical parts not including labor. Please check items upon opening and examine for any possible damage, in order to validate your warranty. Please cut on dotted line and mail into the Cajun Kooling address. Your mailed in warranty will be validated according to the date on our copy of your receipt from purchase.

Cajun Kooling LA LLC.  
112 Thruway Park  
Broussard, LA 70518  
1-844-819-3557

-----  
Customer Name:

Customer Address:

Tel. Number:

Date of purchase and distributor name:

**Model Type: (Circle One)**

-CK4500-S    -CK4700    -CK5900    -CK8200    -Other\_\_\_\_\_

**Serial Number:**

(listed on silver sticker on side of unit: ex. CK4500-S09090909)

## Troubleshooting:

Please call Cajun Kooling Support before altering or replacing any parts. Some parts may not need full replacement and can be serviced by a technician. 1-844-819-3557

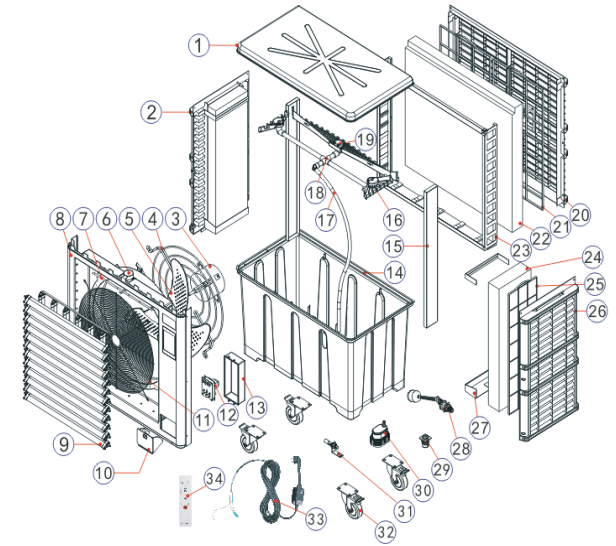
Problem	Possible Cause	Solution
Cannot turn on the unit	<ol style="list-style-type: none"> <li>1. The power supply is not connected</li> <li>2. ON/OFF button does not work</li> <li>3. Phase shortage</li> <li>4. Voltage is too low</li> </ol>	<ol style="list-style-type: none"> <li>1. Check the power supply</li> <li>2. Replace the control panel</li> <li>3. Check the phase wire</li> <li>4. Check the voltage supply</li> </ol>
The fuse shorts often	<ol style="list-style-type: none"> <li>1. The water pump has shut off</li> <li>2. Drainage pump is blocked</li> <li>3. Motor of the "swing" function is broken</li> </ol>	<ol style="list-style-type: none"> <li>1. Replace the water pump</li> <li>2. Replace the drainage pump</li> <li>3. Replace the motor for the "swing"</li> </ol>
Water Leakage from external parts or spitting water	<ol style="list-style-type: none"> <li>1. The machine is not well balanced</li> <li>2. Water reservoir is leaking</li> <li>3. Drain is leaking</li> <li>4. Water level inlet is leaking</li> <li>5. Water level is too high</li> <li>6. Internal pipes for distribution is broken</li> <li>7. Cooling pads dirty</li> <li>8. Cooling pads or screens are clogged</li> </ol>	<ol style="list-style-type: none"> <li>1. Place on a balanced surface and give time for excess water to dry up</li> <li>2. Check for any holes or cracks on the tank</li> <li>3. Seal the drain properly and do not over tighten</li> <li>4. Check for cracks or damages of the water inlet flap</li> <li>5. Drain some water and do not fill past High and check that the internal float is properly positioned</li> <li>6. Open unit from the back and check the pipes for any leaks</li> <li>7. Remove and properly clean the cooling pads</li> <li>8. Clean or replace the cooling pads or screens</li> </ol>
Making noise	<ol style="list-style-type: none"> <li>1. Fan blades are dirty, warped, or broken</li> <li>2. Build-up is blocking the airflow</li> <li>3. Water was filled too high and reached the fan blades</li> <li>4. fan is not level</li> </ol>	<ol style="list-style-type: none"> <li>1. Replace the fan</li> <li>2. Clean the unit from the inside out and all of the cooling pads and screens</li> <li>3. Drain some water and allow for drying</li> <li>4. make sure fan is on a firm level slab</li> </ol>
No wind supply or the airflow is too low	<ol style="list-style-type: none"> <li>1. Cooling pads or screens are clogged</li> <li>2. Control panel is broken</li> <li>3. Remote control is broken</li> <li>4. Fan is not turning on</li> <li>5. Shortage in the phase wire</li> </ol>	<ol style="list-style-type: none"> <li>1. Clean or replace the cooling pads or screens</li> <li>2. Replace the control panel</li> <li>3. Check batteries or replace the remote</li> <li>4. Check the motor from inside of the unit</li> <li>5. Check the phase wire</li> </ol>
No Cooling	<ol style="list-style-type: none"> <li>1. Shortage of water in the reservoir</li> <li>2. Water pump broken</li> <li>3. "Cooling" button on the panel is broken</li> <li>4. Remote control broken</li> </ol>	<ol style="list-style-type: none"> <li>1. Add water to reservoir and make sure "snowflake" stays lit up on control panel</li> <li>2. Repair the water pump</li> <li>3. Check the panel and/or replace</li> <li>4. Check the batteries or replace remote</li> </ol>
Water reservoir or screens have white built up	<ol style="list-style-type: none"> <li>1. Mineral substance in the water is too high</li> <li>2. Improper chemicals were added to the unit</li> </ol>	<ol style="list-style-type: none"> <li>1. Clean more frequently</li> <li>2. Do not add any chemical to the water or to the unit</li> </ol>

## How It Works:

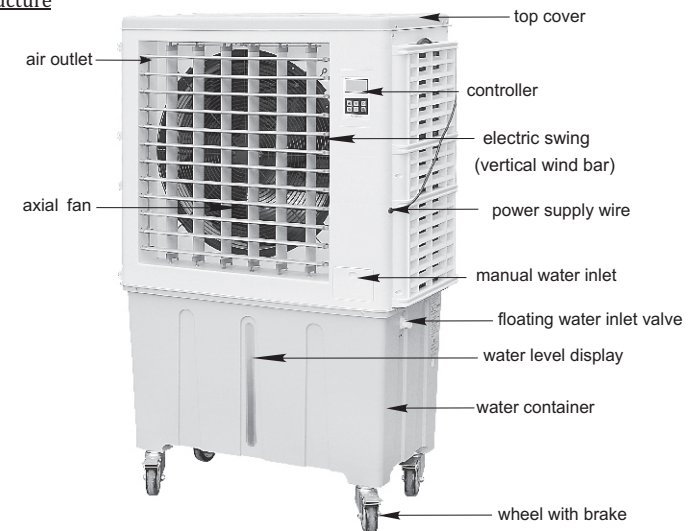
This unit is a portable fan, as well as an evaporative air cooler. When using the cooling function, the water inside the unit will be pumped throughout pipes inside, and will be dispersed onto the cooling pads. The motion of the fan will drag air into the air intake areas, which will then pass through the cooling pads. The movement of the wind over the moisture will evaporate and create naturally cool and comfortable air. No mist will be produced. After approx. 8-12 hours, the water reservoir will be completely evaporated into the air and will need to be refilled.

### Interior Structure

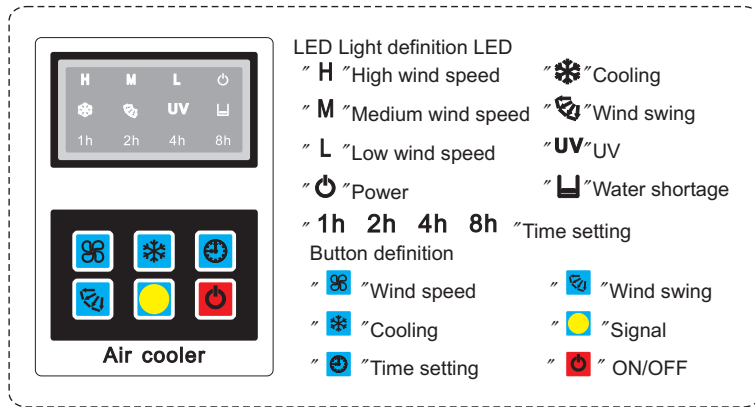
Breakdown drawing			
No.	name	No.	name
1	top cover	18	water pipe
2	side cooling pad	19	water drip bracket
3	motor	20	back panel
4	motor bracket	21	cooling pad
5	fan blades	22	cooling pad support
6	swing motor	23	cooling pads bracket
7	louver bracket	24	side filter
8	front panel	25	side louver
9	horizontal louver	26	side panel
10	manual water inlet	27	submersible pump
11	front grill	28	water sensor
12	LCD electrical board	29	drain cap
13	control box	30	pump
14	water tank	31	pump protection sensor
15	side-back support bracket	32	side cooling pad support
16	side water distributor	33	power cable
17	water hose	34	remote control



### Exterior Structure



## Control Panel



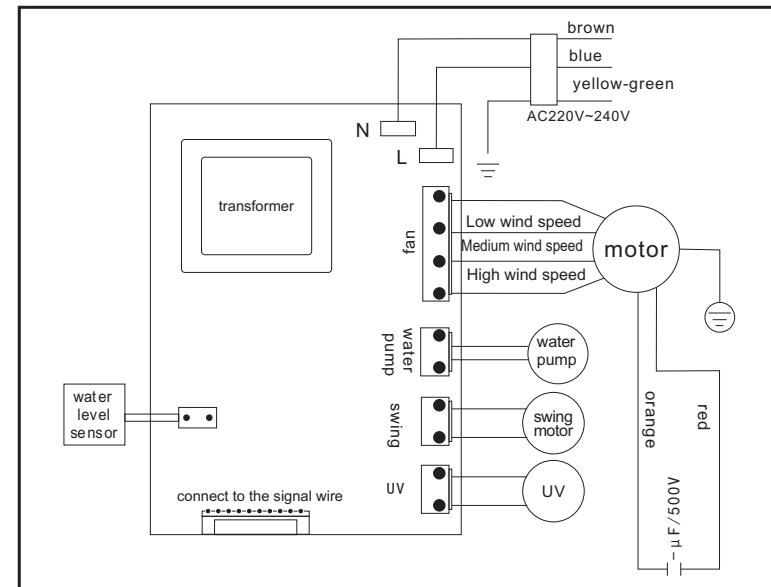
## Cleaning and Maintenance:

- The Drying Process:** For longer lifetime of your evaporative air cooler after using the unit, it is recommended to turn off the cooling function (snowflake button) and run the unit as a FAN only for approximately 30 mins. This helps to dry out the cooling pads and avoid mildew. The remaining water can be kept in the reservoir for 3 more days, but should be changed at least once a week. If storing for longer than one week, drain the water from the reservoir using the drain valve at the bottom of the unit and then complete the drying process.
- For the Automatic Drying:** the timer can be used as a convenience for you to dry your unit without having to occupy it. Simply turn the snowflake button OFF, keep the fan running, press the timer button on for one hour, and the fan will dry and shut down itself after one hour.
- The reservoir can handle 2oz. of bleach in at least 32-gallons of water to refresh the interior. DO NOT put any other cleaning or foaming products into the machine, because it will foam up the water and overflow your unit. Do not do this more than once a week.
- The black screens protecting your cooling pads will collect dust and should be checked at least once a week when using frequently. Pull them out and simply hose them off or wipe down with a wet rag and re-insert. To avoid build up, DO NOT put chemicals on the screens. The screens should be transparent and you should be able to see completely through them after they have been cleaned. This ensures complete air intake.
- Cleaning the cooling pads:** make sure the cooling pads are dry and the machine is unplugged. Use a screwdriver to remove the back panel of the unit and the cooling pads can easily slide in and out. Rinse softly with a hose through one side only on low pressure and do not use any chemicals. At an angle, you should be able to see light through the holes once it has been fully cleaned. Reinsert the pads gently and put the back panel back into place and put the screws back into place.



## Troubleshooting:

### Circuit Layout



### Installing The Unit:

- Lay box down on the back and cut open the bottom from the straps. The wheels will be located in a smaller box inside of the unit's box. Open the box of wheels and there should be 4-wheels and 16 screws. Check to make sure that all parts are present.
- Use a screwdriver, gently screw on the wheels and make sure not to strip the screws.
- Stand your box back up and remove the box from the unit by lifting it over the top. Make sure that all parts are intact and correctly assembled.
- You may begin filling water through the water inlet flap using regular tap water. There is a water level in the front of your unit, located on the reservoir. Be sure not to fill past the "H", HIGH, level. You will not see the water until it reaches half of the tank on "L", low, but this level may not need to be reached for your preference. Filling at half of the tank will last at least 4 hours of run time.
- If hooking the hose to the hose attachment, be sure that the hose is using low pressure. There is a "float" inside of the water reservoir to stop the water flow when the reservoir becomes full. Hose attachment accessory is in your manual packet.
- Plug in the unit to a safe outlet, and begin using your fan by pressing the Power button. Choose your suitable speed for your unit and begin enjoying.