

# LYEMANCE™

## ENERGY-SAVING DAMPER

The Lyemance Damper is made of durable cast aluminum. It is designed to save on heating and cooling bills; to prevent downdrafts and odors; to keep out rain, snow, birds, and pests; and to help reduce outside noise.

### *Installation Instructions*

© 2013, Lyemance

#### **PROFESSIONAL INSTALLATION RECOMMENDED**

Some chimneys are difficult to access. Lyemance recommends that you call your local CSIA certified chimney sweep to install your new damper and clean your chimney at the same time. This will not only help with the installation, but will help ensure that your flue is in good working condition.

#### **SAFETY PRECAUTIONS**

As with any product you install, especially on a roof, there are safety precautions, including:

- Using a ladder and working on the roof in a safe manner,
- Working on the roof only in good weather, not in rain, ice, snow, or lightning,
- Making sure the damper will open properly before starting a fire,
- Using safety glasses when drilling,
- Using a masonry bit when drilling into masonry,
- Using only the adhesive provided.

*This damper is **not** recommended for use on flues venting gas burning appliances (i.e. gas logs).*

#### **TOOLS NEEDED FOR INSTALLATION**

Hammer, power drill, 1/4" masonry drill bit, safety glasses, wire cutters, 7/16" wrench, and ladder.

#### **INSTALLATION STEP**

# 1

## **BEFORE GOING ON THE ROOF**

#### **A. Check that all parts are present**

- Damper assembly: damper (or damper with chimney cap for OPC), cable with handle assembly
- Adhesive tube
- Allen wrench
- Bracket
- Two nail anchors
- Washer
- Warranty card

#### **B. Mount cable guide under frame**

- Cable guide has two screw holes. Use the hole which places the guide flush with the inside of the frame. Use bolt and washer provided.

## INSTALLATION STEP 2 ON THE ROOF

### A. Carry damper and adhesive to roof

- No tools are required.

### B. Prep flue liner and damper

- Make certain top of flue liner is dry and clean.
- Install damper on flue so high side of damper is against prevailing (most frequent) wind (see illustration).
- Be certain 4 inch spring will hang freely from lid when damper is closed.
- Lower end of cable with chain and handle to fireplace opening below.

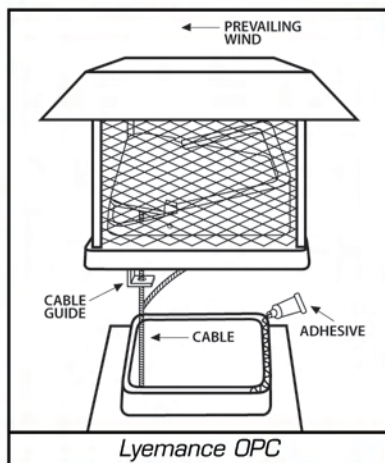
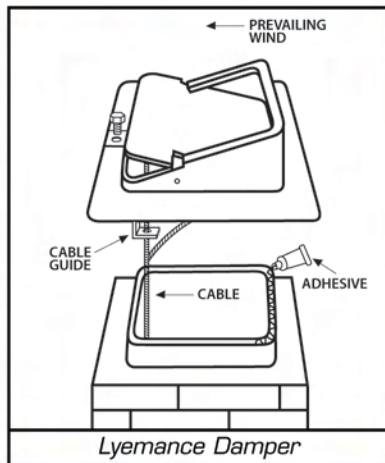
### C. Adhere damper to the flue liner

- Use the adhesive cap to open the tube.
- Apply adhesive to top of flue liner all the way around the opening.

*Important: Use only the adhesive furnished.*

*Caution: Direct contact with adhesive will irritate eyes or skin. Read directions on tube carefully. **Keep adhesive out of reach of children.***

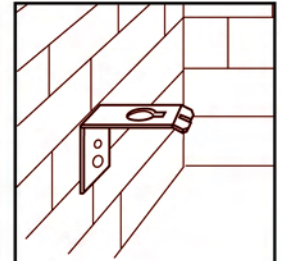
- Press the damper onto the flue liner. Allow 24 hours to set before using fireplace.



## INSTALLATION STEP 3 AT THE FIREPLACE

### A. Mount bracket in fireplace

- Using 1/4" masonry drill bit, drill one hole about 1" deep into firebrick towards the front of the fireplace and about 20" off the firebox floor (see illustration).



Placement of bracket in firebox

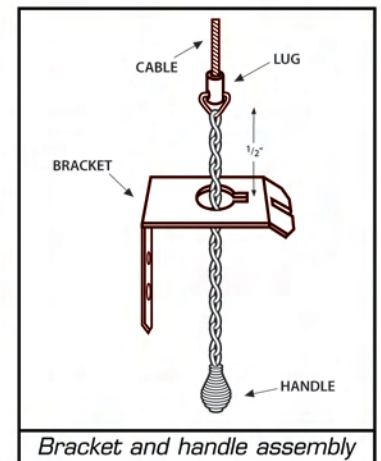
*Important: If brick is loose, first repair it with refractory mortar or call local mason.*

*Caution: Wear safety glasses when drilling. Use only masonry drill bit. Failure to do so can cause cracks in the firebox wall.*

- Insert nail anchor in top hole of bracket and secure to firebox wall with hammer.
- Drill second hole after bracket is attached to firebox wall. Add second nail anchor and secure.

### B. Install cable handle

- Pull handle and cable through bracket until slack is out of cable. Loosen brass lug with Allen wrench and slide brass lug up cable to bracket.
- Pull cable down until damper closes and a slight spring tension can be felt. Tighten brass lug with Allen wrench 1/2" above bracket (see illustration). Tighten brass lug to cable.
- Close damper by pulling cable down and placing lug under bracket.



Bracket and handle assembly

### C. Check and adjust operation

- Return to the roof and check that the damper is tightly sealed. If it is not, adjust lug upward for better seal. *Do not overdo it — if lug is raised too far, this may activate the power lever and actually open the damper.*
- Cut off excess cable.