

Operating Instructions

AT122601, AT125102, AT121002, and AT121102

Please read and save these instructions. Read carefully before attempting to assemble, install, operate or maintain the product described. Protect yourself and others by observing all safety information. Failure to comply with instructions could result in personal injury and/or property damage! Retain instructions for future reference.



**CAMPBELL  
HAUSFELD®**  
BUILT TO LAST

# Sandblasting Kits

## Table of Contents

Description ..... 1  
 Unpacking ..... 1  
 Safety Guidelines ..... 1  
 General Safety Information ..... 1  
 Assembly ..... 2  
 Operation ..... 3  
 Technical Service ..... 3  
 Types of Abrasives ..... 4  
 Suggested Uses ..... 5  
 Troubleshooting Chart ..... 6  
 Warranty ..... 8

## Description

Campbell Hausfeld sandblasting equipment is designed for cleaning and removing rust, scale, and paint. It is the ideal method for stripping, polishing and etching projects. This equipment can be used with sand, abrasive powders, water and other liquids.

## Unpacking

After unpacking the unit, inspect carefully for any damage that may have occurred during transit. Make sure to tighten fittings, bolts, etc., before putting unit into service.

### READ & FOLLOW ALL INSTRUCTIONS

**SAVE THESE INSTRUCTIONS  
DO NOT DISCARD**

## Safety Guidelines

This manual contains information that is very important to know and

understand. This information is provided for SAFETY and to PREVENT EQUIPMENT PROBLEMS. To help recognize this information, observe the following symbols.

**▲ DANGER** *Danger indicates an imminently hazardous situation which, if not avoided, WILL result in death or serious injury.*

**▲ WARNING** *Warning indicates a potentially hazardous situation which, if not avoided, COULD result in death or serious injury.*

**▲ CAUTION** *Caution indicates a potentially hazardous situation which, if not avoided, MAY result in minor or moderate injury.*

**NOTICE** *Notice indicates important information, that if not followed, may cause damage to equipment.*

**NOTE:** Information that requires special attention.

## General Safety Information

### CALIFORNIA PROPOSITION 65

**▲ WARNING** *This product or its power cord may contain chemicals known to the State of California to cause cancer and birth defects or other reproductive harm. Wash hands after handling.*

**▲ WARNING** *You can create dust when you cut, sand, drill or grind materials such as wood, paint, metal, concrete, cement, or other*



*masonry. This dust often contains chemicals known to cause cancer, birth defects, or other reproductive harm. Wear protective gear.*

### STATIC ELECTRICITY

**▲ DANGER** *Fire or Explosion Hazard! Never use a sand blaster around combustible or flammable liquids, gases, dusts, oily rags, or other materials that can explode or burn quickly. Some abrasives create sparks when they hit metal. Abrasives similar to aluminum oxide may generate static electric sparks. In an unsafe environment, these sparks will start fires or explosions that will result in death or serious personal injury. For your safety and the safety of people nearby, DO NOT USE this sand blaster where there are combustible or flammable liquids, gases, dusts, oily rags, or other materials that can explode or burn quickly.*



**▲ CAUTION** *Static electric shocks can be painful. Some abrasives similar to aluminum oxide can create static electricity while you are sand blasting. If you are not grounded, the static electricity can build up on your body and cause a shock when you touch a metal object. You can avoid static electricity by wearing leather soled shoes and standing on the ground. If necessary, a grounded wire attached to the sand blast gun will safely remove the static electricity. Remember, you are not grounded if you are insulated from the ground. Rubber soled shoes, rubber boots, or other rubber or plastic footwear are insulators. Avoid standing on dry wood*



**REMINDER: Keep your dated proof of purchase for warranty purposes!  
Attach it to this manual or file it for safekeeping.**

## General Safety Information (Continued)

(like a wooden pallet) a dry mat, or dry carpet.

### GENERAL SAFETY

- Read all manuals included with this product carefully. Be thoroughly familiar with the controls and the proper use of the equipment. Follow all instructions.
- Only persons well acquainted with these rules of safe operation should be allowed to use the unit.



### WARNING

Do not misuse

this product. Excessive exposure to vibration, work in awkward positions, and repetitive work motions can cause injury to hands and arms. Stop using any tool if discomfort, numbness, tingling or pain occur, and consult a physician.

1. Read this instruction manual before connecting this device to the compressor.
2. Safety glasses or face shield, gloves and a NIOSH approved respirator must be worn during operation. Always work in a well ventilated area.

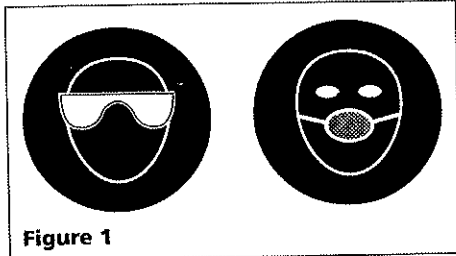


Figure 1

3. During operation, do not expose the hands or skin directly in the line of the blast nozzle.
4. After installation, inspect to make sure all components seal properly.
5. Keep children away at all times. All visitors must be kept a safe distance and wear safety glasses, gloves and a respirator.
6. Do not exceed the maximum operating pressure of the sandblasting equipment (125 psi).

### WARNING

Disconnect the sandblaster from the air supply before changing accessories or attempting to install, service, relocate or perform any maintenance.

7. Check hoses and air lines for weak or worn condition before each use. Make sure all connections are secure before use.

### WARNING

Do not point

the sandblast gun at anyone or objects other than the intended work object.

8. Do not depress the trigger when connecting the air supply hose.

### DANGER

Do not work

around oily rags or flammable liquids. Sand striking metal can cause a spark and create a fire or explosion.

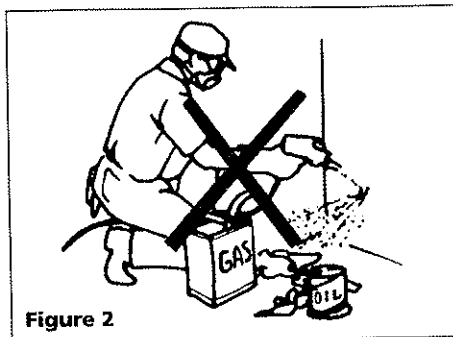


Figure 2

### WARNING

Do not spray

acids or caustics.

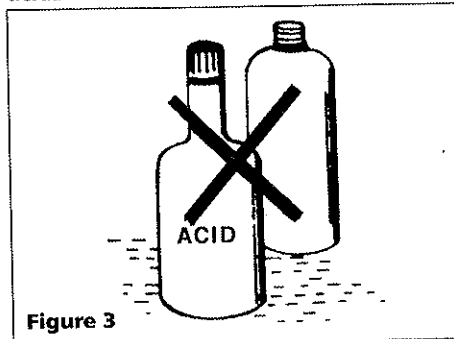


Figure 3

## Assembly

### MODEL AT122601

1. Attach material hose to the pick-up tube. Place pick-up tube in bag of medium. (See Figure 4).
2. Attach the air compressor hose to the air inlet (1/4 inch NPT(F)) at the bottom of the gun handle. An optional quick coupler and

connector can be used to attach the hose to the gun.

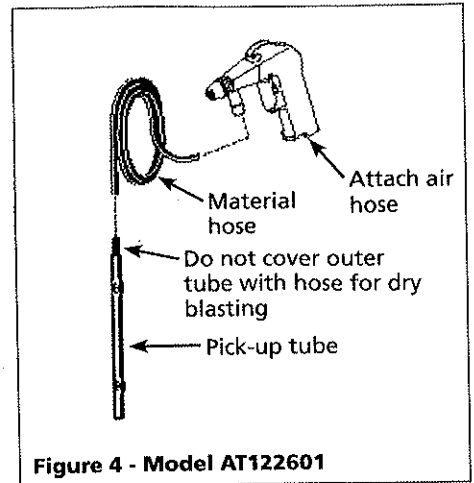


Figure 4 - Model AT122601

### MODEL AT125102

1. Attach the material hose to the hose connector. Attach the opposite end of the material hose to the gun (See Figure 5). Never use hose clamps to secure the hose.

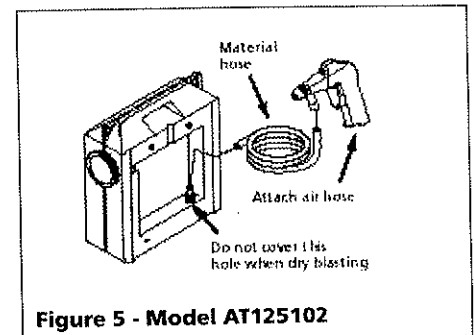


Figure 5 - Model AT125102

**NOTE:** Do not cover the hole in the hose connector for dry blasting. For spraying liquids, slip the material hose fully on to the hose connector covering the hole.

2. Attach the air compressor hose to the air inlet (1/4 inch NPT(F)) at the bottom of the gun handle. An optional quick coupler and connector can be used to attach the hose to the gun.

### MODEL AT121002

1. Attach the hose connector to the hopper using the supplied conduit nut.
2. Attach the material hose to the hose connector. Attach the opposite end of the material hose to the gun (See

**Assembly (Continued)**

Figure 6). Never use hose clamps to secure the hose.

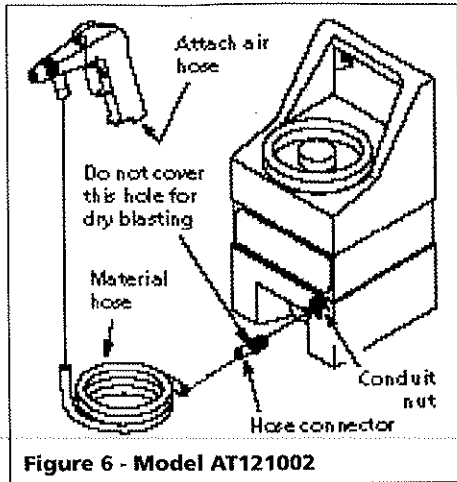


Figure 6 - Model AT121002

**NOTE:** Do not cover the hole in the hose connector for dry blasting. For spraying liquids, slip the material hose fully on to the hose connector covering the hole.

3. Attach the air compressor hose to the air inlet (1/4 inch NPT(F)) at the bottom of the gun handle. An optional quick coupler and connector can be used to attach the hose to the gun.

**ASSEMBLY FOR MODEL AT121102**

1. Slide the wheel onto the axle. (See Figure 7). Lightly hammer on the wheel cap to secure, making sure the protruding hub on the wheel is facing the hopper. Repeat for the opposite side.

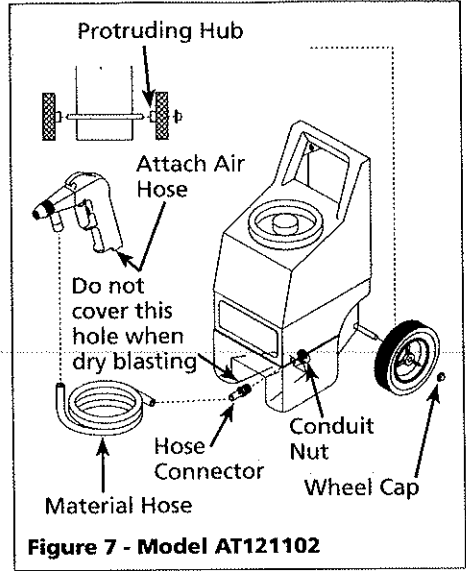


Figure 7 - Model AT121102

2. Attach the hose connector to the hopper using the supplied conduit nut.
3. Attach the material hose to the hose connector. Attach the opposite end of the material hose to the gun (See Figure 7). Never use hose clamps to secure the hose.

**NOTE:** Do not cover the hole in the hose connector for dry blasting. For spraying liquids, slip the material hose fully on to the hose connector covering the hole.

4. Attach the air compressor hose to the air inlet (1/4 inch NPT(F)) at the bottom of the gun handle. An optional quick coupler and connector can be used to attach the hose to the gun.

**Operation**

1. Locate the compressor as far away as possible from the sandblasting area to minimize the dust in the compressor intake.
2. The air supply must be clean and free of moisture and oil.
3. Use a compressor that can supply enough air (See Specifications). A compressor too small will cause air pressure to drop and the sandblaster will not operate satisfactorily.
4. Always trial test the sandblaster to make sure the job is done without damage by testing on a hidden surface.
5. Always filter (screen) the abrasive material to remove any caked material and debris to prevent clogging.
6. Do not try to spray thick liquids or large grain size abrasives.
7. Use the lowest effective pressure on soft surfaces to prevent pitting the surface.
8. Liquids, such as soap and water, can be sprayed for cleaning purposes on automobiles, lawn chairs, etc.
9. Fill the hopper with abrasive to about 3/4 full.
10. With air hose and material hose connected, and wearing proper safety equipment, aim sandblast gun at surface and pull trigger.
11. Whenever the nozzle is removed and cleaned or replaced, use a brush to clean the threads and replace the o-ring.

**Technical Service**

For information regarding the operation or repair of this product, please call 1-800-543-6400.

Type of Abrasive (Sieve/Size)	Application
Sand (20-40)	General purpose use. Removing light rust and paint from metal, wood or other surfaces; wood finishing; metal cleaning; glass and stone etching; hole drilling in glass, brick or cement block; light stone cleaning; exterior automotive parts cleaning and water deposit removal
Sand 50-100)	Used for a fine polish finish or antique wood finish, brass and silver polishing, automotive parts cleaning and polishing, sheet metal surface polishing, and fine glass etching
Aluminum oxide	Heavy rust removal and rough surface paint removal
Corn cob meal	Wood and glass cleaning (fine)
Walnut or pecan shells (ground)	Wood and glass cleaning (coarse)
Plastic beads	Removal of flash, burrs and paint from metal or glass without abrading work

**NOTE:** Abrasive media that has not been cleaned and screened could contain material that will clog the gun nozzle and should be avoided.

**MOISTURE IN COMPRESSED AIR**

Moisture in compressed air will form into droplets as the air comes from the compressor pump. When humidity is high or when a compressor is in continuous use for an extended period of time, moisture will collect in the tank. When using a sandblast gun, this water will be carried from the tank through the hose and out of the gun as droplets mixed with the material being sprayed.

**IMPORTANT:** THIS CONDENSATION WILL CAKE THE SAND AND CLOG THE SANDBLASTING GUN. A CLOGGED GUN WILL NOT OPERATE.

A compressed air dryer and/or air line filter will help eliminate this moisture.

**How to use with Cre`Away Pro:**

For best results when using to spray Cre`Away, use the metal tube that does not have crimps on it.

**Suggested Uses**

Type of Abrasive (Sieve/Size)	Application	Distance from Work	PSI	Suggestions
Sand (30-50) Glass beads	Etching and drilling holes in glass	1 - 4 inches	40 - 90	Move gun back and forth over the template in a brushing manner. Blast at a 90° angle. For fine polishing, use glass beads for the abrasive. For drilling holes, use 30 sieve sand.
Sand (40) Ground walnut shells	Antiquing or weathering wood	2 - 6 inches	40 - 90	Use brushing strokes and watch the abrasion rate carefully. Soft wood will wear faster than hardwood. Smaller grit sizes gives smoother finish. Start with low pressure and gradually build up pressure. Blast at a 45° angle.
Sand (50-100) Glass beads, ground walnut shells	Wood sanding and refinishing furniture	1 - 6 inches	40 - 70	Use brushing strokes and watch the abrasion rate carefully. Use walnut shells for coarse finishing and glass beads or fine sand for fine finishing. Blast at a 45° angle.
Sand (20-40)	Cleaning barbeque grills and iron pots	1 - 4 inches	50 - 125	Be sure to mask any glass or painted surface that could be accidentally damaged. Blast at a 80 - 90° angle.
Sand (20-40) Aluminum oxide	Cleaning automotive parts	1 - 4 inches	40 - 80	Use larger grit sand on a hidden area. If the base material is being damaged, use a smaller grit. Blast at a 80 - 90° angle.
Sand (20-40)	Cleaning and stripping masonry	1 - 4 inches	50 - 125	Use a heavy grit sand with a sweeping overlapping stroke. Blast at a 80 - 90° angle.
Ground pecan or walnut shells and corn cob meal	Cleaning or preparing for paint	1 - 6 inches	40 - 125	Use brushing strokes and watch the abrasion rate carefully. Soft wood will wear faster than hard wood. Smaller grit sizes give a smoother finish. Start with low pressure and gradually build up pressure. Blast at a 45 - 60° angle.
Sand (20-50) Aluminum oxide (50-80)	Cleaning or stripping outdoor equipment	1 - 3 inches	50 - 125	Remove flaking paint first with wire brush, then sandblast with a heavy grit abrasive. Multiple layer of old paint should be scraped first. Prime immediately following sandblasting to prevent corrosion. Blast at a 45 - 60° angle.

**Troubleshooting Chart**

<b>Symptom</b>	<b>Possible Cause(s)</b>	<b>Corrective Action</b>
Low or no air pressure	<ol style="list-style-type: none"> <li>1. Regulator set incorrectly</li> <li>2. Pinched hose</li> <li>3. Dirty compressor filter</li> </ol>	<ol style="list-style-type: none"> <li>1. Reset regulator</li> <li>2. Straighten hose</li> <li>3. Clean or replace filter</li> </ol>
Material not blasting from gun	<ol style="list-style-type: none"> <li>1. Clogged material hose</li> <li>2. Buildup around jet</li> <li>3. Damp or heavy material</li> <li>4. Water in air supply</li> </ol>	<ol style="list-style-type: none"> <li>1. Lower the pressure below 40 psi. Firmly hold the gun tip flat against the ground and pull the trigger to force the material back out of the material hose</li> <li>2. Remove nozzle and clean around jet</li> <li>3. Replace with dry abrasive. (Damp material can be dried and reused)</li> <li>4. Drain air tank and install air filter, See "Moisture in Compressed Air" box</li> </ol>
Gun will not shut off - trigger stuck	Damaged o-rings in air valve	Remove and replace o-rings
Sputtering - low vacuum	<ol style="list-style-type: none"> <li>1. Worn jet and/or nozzle</li> <li>2. Abrasive buildup around jet/nozzle</li> </ol>	<ol style="list-style-type: none"> <li>1. Replace jet and/or nozzle</li> <li>2. Remove nozzle and jet and clean. Make sure the threads are clean before re-assembling</li> </ol>
Sputtering - air/abrasive leaks at nozzle/jet area	<ol style="list-style-type: none"> <li>1. Loose nozzle or jet</li> <li>2. Damaged o-ring</li> </ol>	<ol style="list-style-type: none"> <li>1. Tighten nozzle or jet</li> <li>2. Replace o-ring</li> </ol>
Sputtering - vacuum leak	<ol style="list-style-type: none"> <li>1. Loose material hose</li> <li>2. Damaged o-ring</li> </ol>	<ol style="list-style-type: none"> <li>1. Tighten material hose</li> <li>2. Replace o-ring</li> </ol>
Sputtering - particle clogging	Hose connector hole is covered	Uncover hose connector hole



## Limited Warranty

1. **DURATION:** From the date of purchase by the original purchaser as follows: for five (5) years, with exceptions noted below.
2. **WHO GIVES THIS WARRANTY (WARRANTOR):** Maxus, 100 Production Drive, Harrison, Ohio, 45030, Telephone: (888) Maxus4U – www.maxustools.com
3. **WHO RECEIVES THIS WARRANTY (PURCHASER):** The original purchaser (other than for purposes of resale) of the Maxus product.
4. **WHAT PRODUCTS ARE COVERED BY THIS WARRANTY:** Any Maxus abrasive blaster supplied or manufactured by Warrantor.
5. **WHAT IS COVERED UNDER THIS WARRANTY:** Defects due to material and workmanship with the exceptions noted below.
6. **WHAT IS NOT COVERED UNDER THIS WARRANTY:**
  - A. Implied warranties, including those of merchantability and FITNESS FOR A PARTICULAR PURPOSE ARE LIMITED FROM THE DATE OF ORIGINAL PURCHASE AS STATED IN THE DURATION. If this product is used for rental purposes, the warranty will apply for ninety (90) days from the date of purchase. Some States do not allow limitations on how long an implied warranty lasts, so the above limitations may not apply to you.
  - B. ANY INCIDENTAL, INDIRECT, OR CONSEQUENTIAL LOSS, DAMAGE, OR EXPENSE THAT MAY RESULT FROM ANY DEFECT, FAILURE, OR MALFUNCTION OF THE PRODUCT. Some States do not allow the exclusion or limitations of incidental or consequential damages, so the above limitation or exclusion may not apply to you.
  - C. Any failure that results from an accident, purchaser's abuse, neglect or failure to operate products in accordance with instructions provided in the owner's manual(s) supplied with product.
  - D. Pre-delivery service, i.e. assembly, filtration, and adjustment.
  - E. Normal adjustments or expendable items which are explained in the owner's manual(s) provided with the product including but not limited to parts subject to normal wear such as nozzles, air jets, seal blocks, valves, o-rings, hose connections, hoses and blast gun.
  - F. Items or service that require periodic replacement to maintain the product, i.e. filters, gaskets, valves, etc.
  - G. Additional items not covered under this warranty:
    - a. Any component damaged in shipment or any failure caused by installing or operating unit under conditions not in accordance with installation and operation guidelines.
    - b. Failure caused by rain, excessive humidity or corrosive environments.
    - c. Cosmetic defects that do not interfere with blaster functionality.
    - d. Rusted tanks, including but not limited to rust due to improper cleaning/storage.
    - e. Other items not listed but considered general wear parts.
7. **RESPONSIBILITIES OF WARRANTOR UNDER THIS WARRANTY:** Repair or replace, at Warrantor's option, products or components which are defective, have malfunctioned and/or failed to conform within duration of the warranty period.
8. **RESPONSIBILITIES OF PURCHASER UNDER THIS WARRANTY:**
  - A. Provide dated proof of purchase and maintenance records.
  - B. Call Maxus (888-629-8748) to obtain your warranty service options. Freight costs must be borne by the purchaser.
  - C. Use reasonable care in the operation and maintenance of the products as described in the owner's manual(s).
9. **WHEN WARRANTOR WILL PERFORM REPAIR OR REPLACEMENT UNDER THIS WARRANTY:** Repair or replacement will be scheduled and serviced according to the normal work flow at the servicing location, and depending on the availability of replacement parts.

Limited Warranty applies in the U.S., Canada and Mexico only and gives you specific legal rights. You may also have other rights which vary from State to State or country to country.