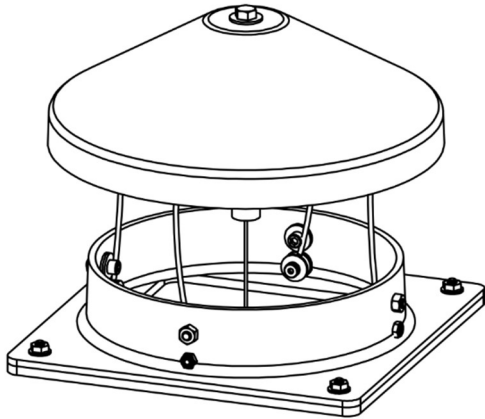


## Wiles Damper Instructions



The Wiles Chimney Damper is made in the USA of durable aluminum and stainless steel. It is designed to help save on heating and cooling bills, to help prevent downdrafts and odors, to keep out rain, snow, birds, and pests, as well as reduce outside noise.

### PROFESSIONAL INSTALLATION RECOMMENDED

Some chimneys are difficult to access. Copperfield Chimney Supply recommends that you call your local CSIA certified chimney sweep to install your new damper and clean your chimney at the same time.

### SAFETY PRECAUTION

- Use a ladder and work on your roof in a safe manner.
- Work on roof only in good weather when it isn't raining, snowing, roof is covered in ice or snow, or during lightning.
- Make sure the damper is open before starting a fire.
- Wear safety glasses when drilling.
- Use a masonry drill bit when drilling into masonry.
- Use only the adhesive provided.

In addition, be sure to check local codes and the with the appliance manufacturer before installing on flues venting gas fireplaces or gas appliances.

## INSTALLATION

### 1) Before Heading to the Roof

Check that all parts are present:

Damper Assembly	Chain Assembly	
• Damper	• Chain	• Adhesive Tube
• Cable	• Brass Lug	• Allen Wrench
• Cable Spring	• Handle	• Bracket
		• Nail Anchors

If any parts are missing, please contact Copperfield Chimney Supply at 1-800-247-3305.

Tools needed for installation:

• Hammer	• Vice Grips
• Power Drill	• Safety Glasses
• 1/4" Masonry Drill Bit	• Gloves
• Wire Cutters	• Ladder

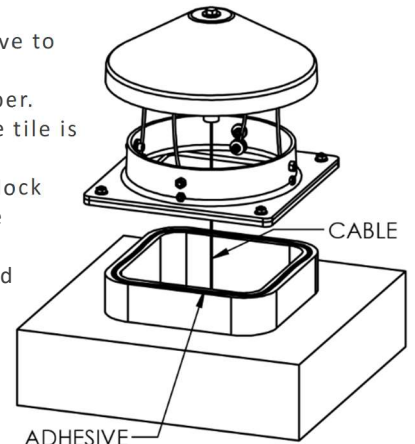
### 2) On the Roof

A. Carry the damper & adhesive to the roof.

- B. Prep the flue tile and damper.
- Make sure top of the flue tile is dry & clean.
  - Be certain nothing will block the spring tube when the damper is closed.
  - Lower the unattached end of the cable into the fireplace opening below.

C. Adhere the damper to the flue tile.

- Use the adhesive cap to open the tube.
- Apply the adhesive all around the top of the flue tile.
- Press the damper onto the flue & allow to set for 24 hours before using the fireplace.



**CAUTION:** Direct contact with adhesive will irritate eyes or skin. Read the directions on the adhesive carefully. Keep Adhesive out of reach of children

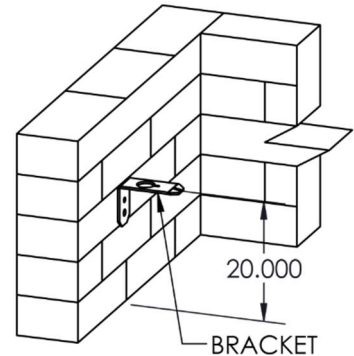
### 3) At the Fireplace

A. Mount bracket at fireplace

- Using a 1/4" masonry drill bit, drill one hole about 1" deep into the firebrick towards the front of the fireplace, around 20" from the firebox floor.



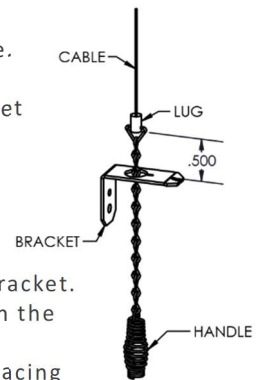
**CAUTION:** Wear safety glasses when drilling. Use only masonry drill bit. Failure to do so can cause cracks in the firebox wall.



- Insert nail anchor in top hole of bracket and secure to firebox wall with hammer.
- Drill second hole after bracket is attached to firebox wall.
- Attach second nail anchor and secure.

B. Install cable handle

- Use the Allen Wrench to loosen lug set screw and remove lug.
- Feed cable through bracket.
- Clamp cable with vice grips & pull until slight tension can be felt. Damper should now be closed.
- Cut the excess cable to 1/2" above bracket.
- Slide brass lug onto cable and tighten the set screw using Allen Wrench.
- Close damper by pulling down and placing lug under bracket.



C. Check & adjust operation

- Return to the roof and check that the damper is tightly sealed. If it is not, adjust the brass lug upwards by cutting the cable for a better seal.

## OPERATION

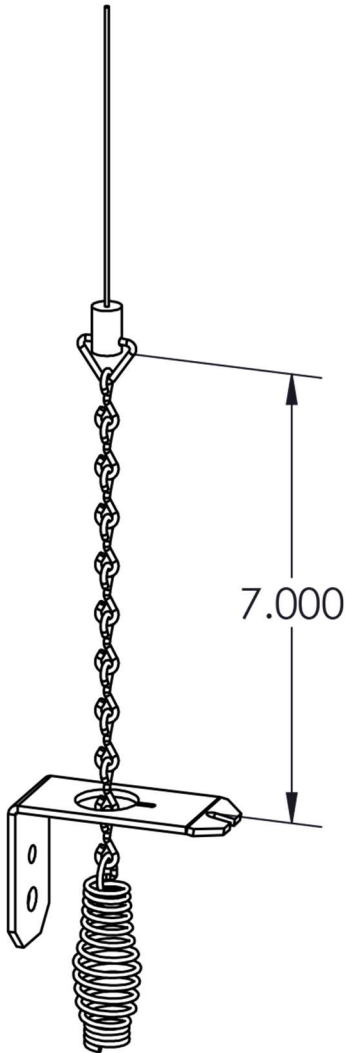
### 1) Opening the Damper

A. Open the damper before starting a fire.

- Pull handle down slightly and release, allowing the brass lug to pull up and hang freely about 7" above the bracket.
- If the brass lug only hangs 1" – 2" above the bracket, the damper may not be open.



**WARNING:** Do not start a fire if the damper is not clearly open. Failure to open damper may cause smoke damage.



### 2) Closing the Damper

A. Close the damper only after the fire is completely out.

- Pull handle down until brass lug is below bracket.
- Move cable into the notch in the bracket and release the handle.



**FIRE PREVENTION WARNING:** Remember to have your chimney checked annually for creosote buildup by your local CSIA certified chimney sweep.

