

Thermostatic Blower Installation Instructions Model: BLOTDL

Before You Start

This instruction sheet is ONLY for models listed below. Carefully inspect the contents for shipping damage. If any parts are missing or damaged, immediately inform the dealer from whom you purchased the part.

Models: LSTF36, LPF36, LRF36, LLF36, 36STFL, 36PFL, 36RFL, 36LFL, (ST, CL, CR, PF)LDV

Kit Contents:

- | | | | |
|--|------------------------------------|---|----------------|
| (1) Blower Assembly | (4) Screws #14 x 3/4 | (2) Screws #8 x 1/2 | (1) Power Cord |
| (1) Speed Control | (1) Speed Control Mounting Bracket | (2) Wire Ties | |
| (1) Gasket | (2) High Temperature Wire | (4) Rubber Grommets | |
| (1) Thermostatic Sensor (Large screw-in style) | | (1) Thermostatic Sensor (Small snap-in style) | |

Tools Required:

Phillips screwdriver, Small jeweler's style screwdriver

WARNING

Before installing the blower, turn off the fireplace and allow to cool. Only a qualified service person should service and repair the fireplace. A qualified service person should connect and disconnect the fireplace to gas supply. Follow all local codes.

CAUTION

Electrical connections should only be performed by a qualified licensed electrician. Main power supply must be turned off before connecting fans to the main electrical power supply or performing service.

WARNING

Electrical Grounding Instructions:

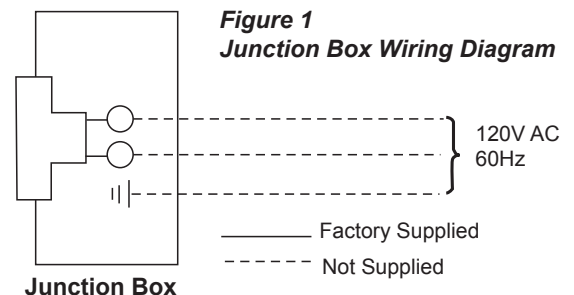
This appliance is equipped with a three-prong (grounding) plug for your protection against shock hazard and should be plugged directly into a properly grounded three prong receptacle.

IMPORTANT: Always check local building codes. This installation must comply with local regulations as well as the National Electric Code.

Installation Instructions

Wiring

1. Before installing the blower, wire the receptacle into an electrical circuit. This should be done before framing the fireplace. Wire with minimum 60° C wire in accordance with prevailing codes.
2. Remove the external junction box cover by removing the screw from the left side of the outside firebox wall. Junction box was installed at the factory.
3. The junction box cover has a factory installed "romex" style strain relief connector. After connecting the wires, route the wire leads through this connector. Refer to the wiring diagram in Figure 1.



Installation Instructions - (LF,FL)

NOTE: The blower can be installed through the end access panel at time of fireplace installation before framing.

1. Disconnect gas line and remove burner and logs.
2. Remove brick wall(s) and hearth floor. *Figure 3*
3. Remove blower access/mounting plate. *Figure 3*
4. Mount the blower to the mounting plate by using the four (4) rubber grommets between the blower and plate. Attach with four (4) #14 x 3/4 screws. *Figure 5*. NOTE: The blower may be mounted on either side of unit according to which side the air is to be discharged.

Install Thermal Sensor

NOTE: There are two (2) thermal sensors packed with this kit. Be sure to install the correct sensor. *Figure 6*

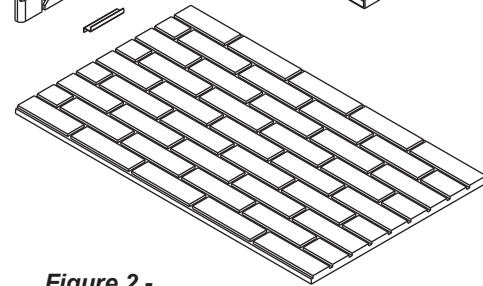
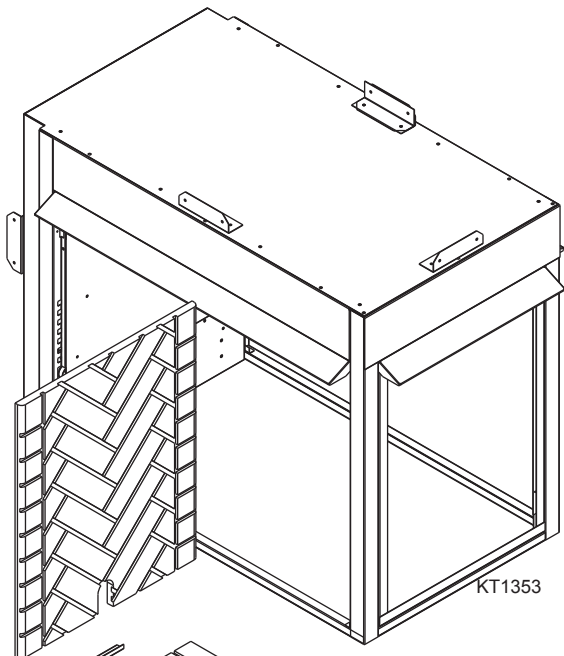
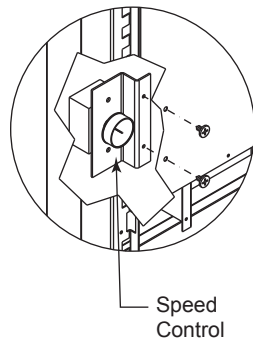
1. Remove the thermal sensor plate located inside at top of fireplace on the air channel. *Figure 4*
2. Route the two (2) thermal sensor wires down through the air channel to the bottom blower compartment of the unit. Align the thermal sensor and attach to the sensor mounting plate with screws provided. After the sensor is mounted reinstall the mounting plate with the screws previously removed. *Figure 4*

Attach Speed Control

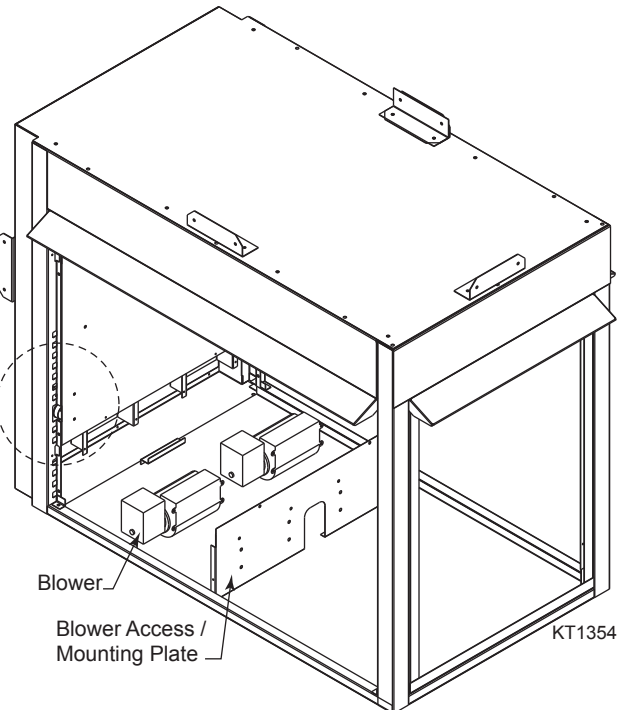
1. Slide the speed control knob through slot from under the blower compartment. Align mounting holes in side panel to mounting bracket. Use two (2) #8 x 1/2 screws to attach. *Figure 5*
2. Connect wiring according to the wiring diagram. *Figure 2*

WARNING: It is important to wire tie the loose wires and arrange the wiring harness neatly so the wires cannot come in contact with blower fan blades.

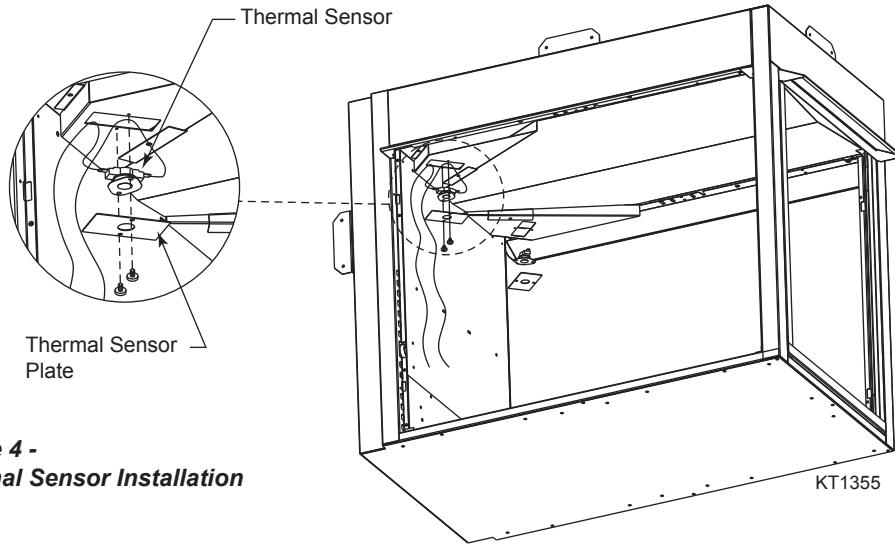
3. Plug power cord into junction box.
4. Reinstall blower access panel/mounting plate with blowers installed.
5. Reinstall brick, burner and logs in reverse order of removal.
6. To operate blower, turn fireplace ON. Turn the knob on the speed control clockwise. The blower should be operating at the highest speed within 10 minutes. Continue to turn the knob until it reaches the desired speed. If the low speed is set too low, it can be adjusted. *Figure 6*



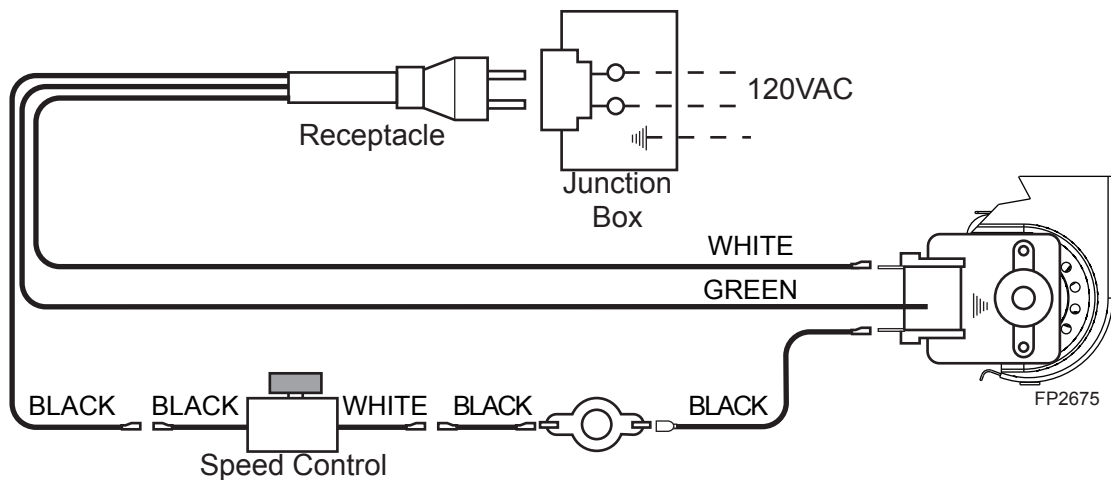
**Figure 2 -
Brick Removal**



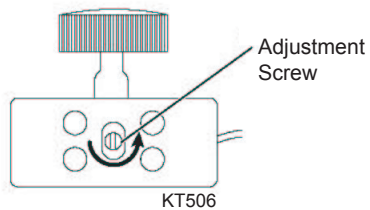
**Figure 3 -
Speed Control Installation**



**Figure 4 -
Thermal Sensor Installation**



**Figure 5 -
Blower Wiring Diagram**



**Figure 6 -
Location of Low Speed Setting
Adjustment Screw**

Installation Instructions - LDV (ST, CL, CR, PF)

NOTE: At the time of fireplace installation (before framing), the blowers can be installed through the end access panel. *Figure 7*

1. Remove the lower access panel by pulling up and away from unit.
2. Remove the glass frame by releasing the three (3) latches below the firebox opening. Lift glass frame up and away from unit.
3. Remove logs and grate.
4. Remove wall brick panels if installed and metal false hearth floor.
5. Remove the four (4) screws, one in each corner of the end cover panel at the end closest to the pilot. *Figure 7*

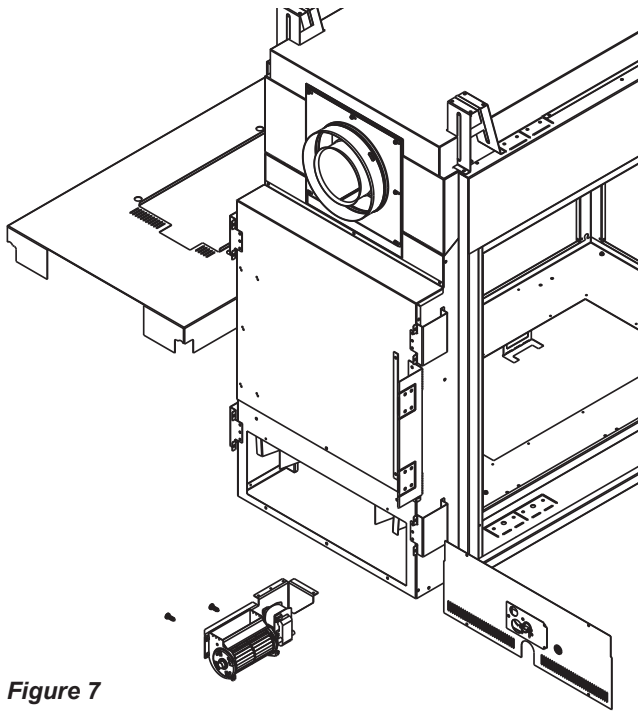


Figure 7

6. Remove the blower mounting bracket from under the floor of fireplace by removing the two (2) screws in the floor for each bracket. *Figure 7*
7. Mount the blower to the mounting bracket with the #14 x 3/4 screws provided. *Figure 7*. **NOTE:** The blower may be mounted on either side of unit according to which side the air is to be discharge.
8. Slide the blower mounting brackets with blower installed through the access door or before framing in the fireplace, through the end access panel. Reassemble blower mounting bracket with the screws removed.
9. **Attach the Speed Control:** Bend one of the mounting tabs up 90° on the floor of the fireplace access

area and mount the speed control by first removing the knob, wall bracket and nut. Slide the control stem through the hole and secure with the nut and replace the knob. *Figure 8*

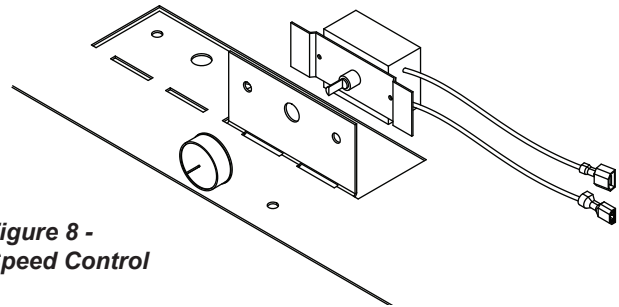


Figure 8 - Speed Control

10. Install Thermal Sensor:

NOTE: There are two (2) thermal sensors packed in this kit. Be sure to install the correct sensor. *Figure 9*

The sensor holding clip is located behind the square plate on the end wall closest to the pilot. There is one on each side. Choose the one on the same side as the speed control. Remove the two (2) outer screws holding the plate and remove from wall. Replace gasket if needed with new gasket provided. Slide the thermal sensor into the clip until it snaps in place. Make sure the terminals on the thermal sensor are perpendicular to the clip. *Figure 9*. Route the two (2) sensor wires down through the blower air channel to the lower access area. Reattach the sensor plate to wall.

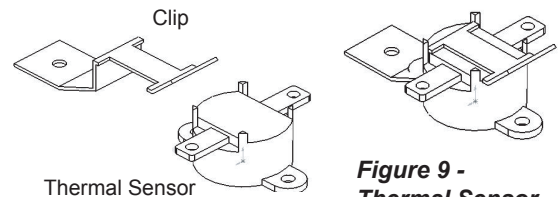


Figure 9 - Thermal Sensor Installation

11. Connect wiring according to the wiring diagram shown in *Figure 5*.

WARNING: It is important to wire tie loose wires and arrange the wiring harness neatly so the wires cannot come in contact with blower fan blades.

12. Plug the power cord to the junction box.
13. Reinstall end cover wall, false hearth floor, firebrick, grate, logs and glass in reverse order of removal.
14. To operate the blower, turn fireplace ON. Turn the knob on the speed control clockwise. The blower should be operating at the highest speed within 10 minutes. Continue to turn the knob until it reaches the desired speed. If the low setting is set too low, it can be adjusted. *Figure 6*

Vermont Castings Group

149 Cleveland Drive • Paris, Kentucky 40361
www.vermontcastingsgroup.com