

# REFLECTIVE LINER KITS

## INSTALLATION INSTRUCTIONS



### MODELS:

DVP1SKR-1  
DVP36KR-1

DVP2SKR-1  
DVP42KR-1

DVP3SKR-1  
DVP48KR-1

DVP4SKR-1  
DVP3642KR-1

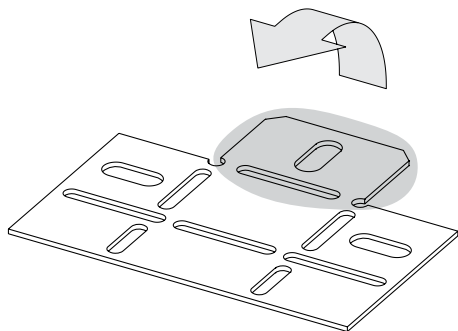
**INSTRUCTIONS MUST BE LEFT WITH THE OWNER FOR FUTURE REFERENCE AFTER INSTALLATION**

### Installing the Liner Kit

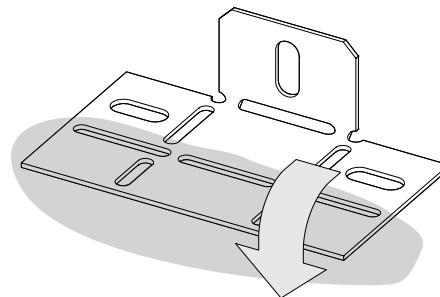
1. Check the included kit identification chart on Page 3 to verify that the Direct Vent Fireplace model and the Liner Kit model are correct before unpacking the Liner Kit. Refer to Page 3 for parts identification.
2. Carefully unpack the Reflective Liner Kit panels. Verify that all parts are included, and inspect parts for damage.
3. Remove the Glass Door assembly and log set from the fireplace. Refer to the fireplace Installation Instructions for additional removal information.
4. For DVX(36,42)(FP,DP) series fireplaces, also remove the upper flue baffle. Refer to the fireplace Installation Instructions for additional removal information.

**Note:** The DVP(36,42,48)KR and DVP3642KR Side and Rear Liners include insulation affixed to the back side of each panel which must not be removed.

5. If the fireplace has brick liners installed, you must first remove these prior to installation of the reflective liner kit. Refer to the fireplace Installation Instructions for additional removal information.
6. Place Rear Liner panel against the rear wall of the firebox so that it sets on top of the rear log support and is centered.
  - A) The rear liner panel in the DVP(1,2,3,4)SKR and DVP(36,42,48)KR Kits will have a radius cut out that must be installed towards the top. See Figure 2, Item 1.
  - B) The DVP3642KR kit does not include a rear liner panel with a radius cut out.
7. Bend the upper liner retainer brackets as shown in Figures 1 and 2.

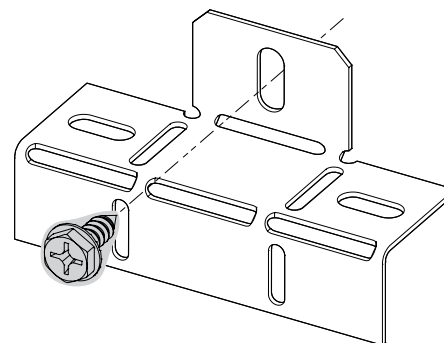


**Figure 1**



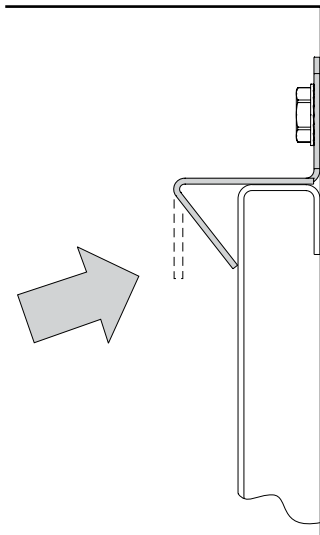
**Figure 2**

- 8a. **For DVD, DVCD, and DVP series fireplaces:** Place the upper liner retainer brackets against the top edge of the Side Liner Panel approximately 2 inches from the front edge. Using the bracket as a guide, mark, center punch and drill a 1/8 inch diameter hole. Secure the upper liner retainer bracket to the Side Liner Panel with a #10 x 1/2" pointed screw.
- 8b. **For DVX series fireplaces:** Use the screw located near the top center of each side of the firebox wall to install the upper liner retainer brackets. Secure the upper liner retainer bracket to the Side Liner Panel with a #10 x 1/2" pointed screw. **Note:** the DVP(36,42,48)KR and DVP3642KR Side and Rear Liners have slots in the bottom flanges of the side liner panels. One of the slots may interlock with a screw protruding upward near the firebox wall on some fireplace models.



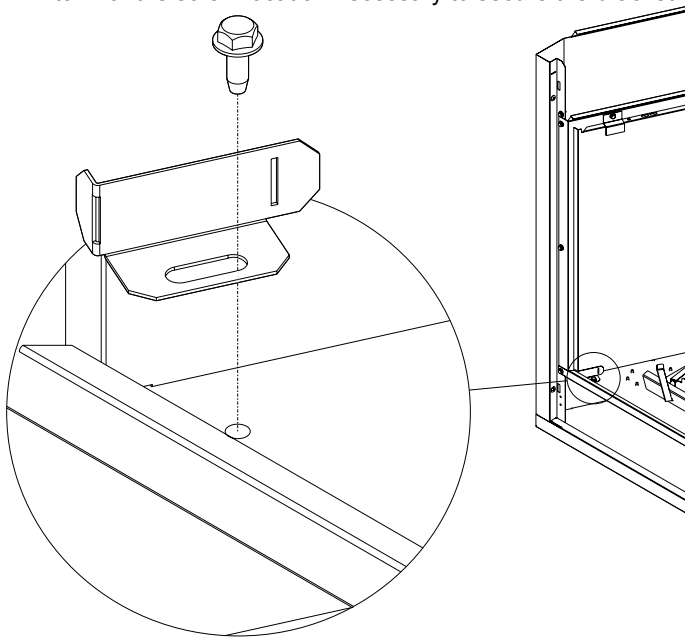
**Figure 3**

9. Bend the bottom tab of each liner retainer bracket until it touches the liner. See Figure 4.



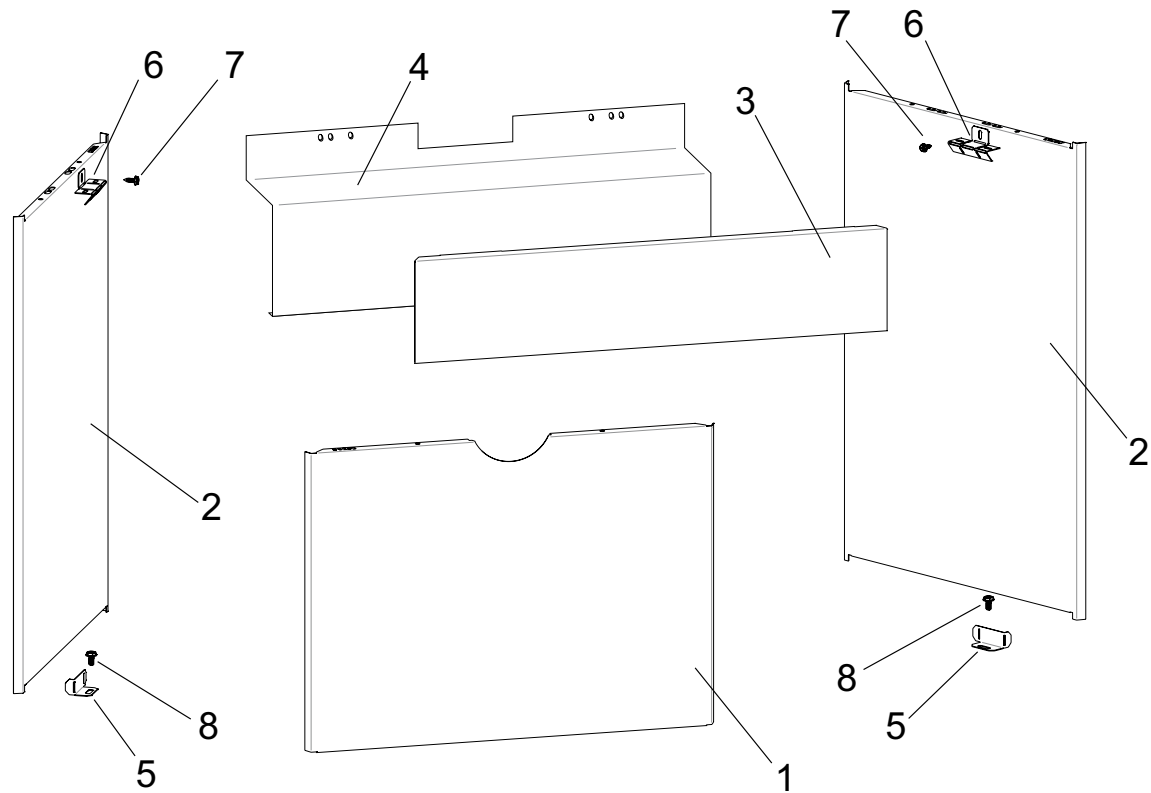
**Figure 4**

10. To secure the lower front corners of the side liner panels, bend one tab on the bottom retainer clips to match the angle of the side liner panel as shown in Figure 1.
11. Push bracket against the liner panel as shown in Figure 5. Using the bottom bracket slot as a guide, mark the firebox bottom for the screw location necessary to secure the bracket.



**Figure 5**

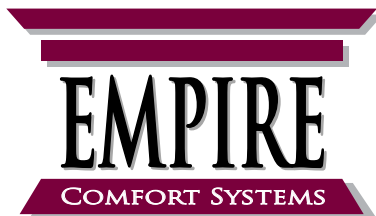
12. To protect the side liners from getting scratched or dented, it is recommended to temporarily remove the side liner panel in order to center punch and drill a 1/8" diameter pilot hole at the screw location marked in step 11.
  13. Once the 1/8" pilot hole has been drilled, install the side liner panel, re-secure the top retainer bracket, then secure the bottom front of the panel with the bottom retainer bracket using a Black # 10 x 1/2" "blunt" self tapping screw.
  14. For DVP(1,2,3,4)SKR and DVP(36,42,48)KR Kits, a Reflective Flue Baffle Cover is included that clips over the existing flue baffle. See Exploded View, Item 3.
  15. For DVP3642KR kits, attach the upper Reflective Flue Baffle (with 2 screws) in place of the flue baffle removed in Step 4. See Exploded View, Item 4.
- Note: For Side Liner panels that include insulation: If after the Side Liners are installed, insulation is visible at the front edge, use a card or a small knife to tuck the insulation back behind the front edge of the panel so it is not visible.
16. Once the Reflective Liner panels are installed, install the Log Set and Glass Door assembly in accordance with the Fireplace Installation Instructions.



Item No.	Description	Part Number			
		DVP1SKR used on: DVD32FP & DVCD32FP Series	DVP2SKR used on: DVD36FP & DVCD36FP Series	DVP3SKR used on: DVD42FP & DVCD42FP Series	DVP4SKR used on: DVD48FP Series
1	Rear Panel	34449	34450*	34451*	34452*
2	Side Panel	34453*	34453*	34454*	34454*
3	Flue Baffle Cover	29220BL	29224BL	29227BL	29228BL
4	Flue Baffle	N/A	N/A	N/A	N/A
5	Lower Retainer Bracket	19401	19401	19401	19401
6	Upper Retainer Bracket	29270	29270	29270	29270
7	Screw - Pointed	R2737	R2737	R2737	R2737
8	Screw - Blunt	R3879	R3879	R3879	R3879

Item No.	Description	Part Number			
		DVP36KR used on: DVP36(FP,DP) Series	DVP42KR used on: DVP42(FP,DP) Series	DVP48KR used on: DVP48FP Series	DVP3642KR used on: DVX(36,42)(FP,DP) Series
1	Rear Panel	30097*	30098*	30106*	30096*
2	Side Panel	30099*	30099*	30099*	30099*
3	Flue Baffle Cover	29267BL	29268BL	30570BL	N/A
4	Flue Baffle	N/A	N/A	N/A	R11347
5	Lower Retainer Bracket	19401	19401	19401	19401
6	Upper Retainer Bracket	29270	29270	29270	29270
7	Screw - Pointed	R2737	R2737	R2737	R2737
8	Screw - Blunt	R3879	R3879	R3879	R3879

\* Insulation installed in part.



Empire Comfort Systems Inc.  
918 Freeburg Ave. Belleville, IL 62220

If you have a general question about our products, please e-mail us at  
[info@empirecomfort.com](mailto:info@empirecomfort.com).

If you have a service or repair question, please contact your dealer.

[www.empirecomfort.com](http://www.empirecomfort.com)