



## OPTIONAL CERAMIC LOG INSTALLATION INSTRUCTIONS

RHL2-1 Ceramic Log Kit  
Effective Date June, 2007

### OPTIONAL CERAMIC LOG RHL2-1

Vented Visual Flame  
Room Heaters  
RH-50-(5, 6) and RH-65-(5, 6)

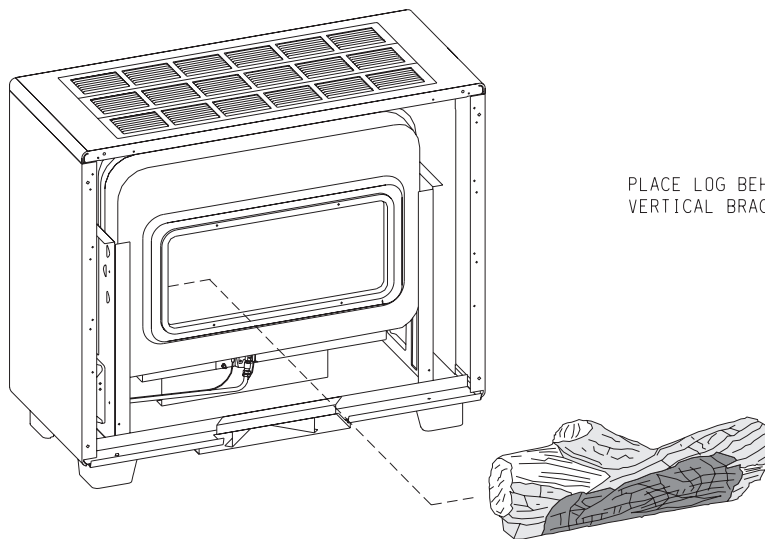
INSTRUCTIONS MUST BE LEFT WITH THE OWNER FOR FUTURE REFERENCE AFTER INSTALLATION

**WARNING:** The RHL2-1 ceramic log kit CAN NOT be installed in RH-350, RH-350-1, RH-350-1VS, RH-50, RH-50H, RH-50-1, RH-50-2, RH-50-4, RH-370, RH-370-1, RH-370-1VS, RH-65, RH-65H, RH-65-1, RH-65-2, or RH-65-4 room heaters.

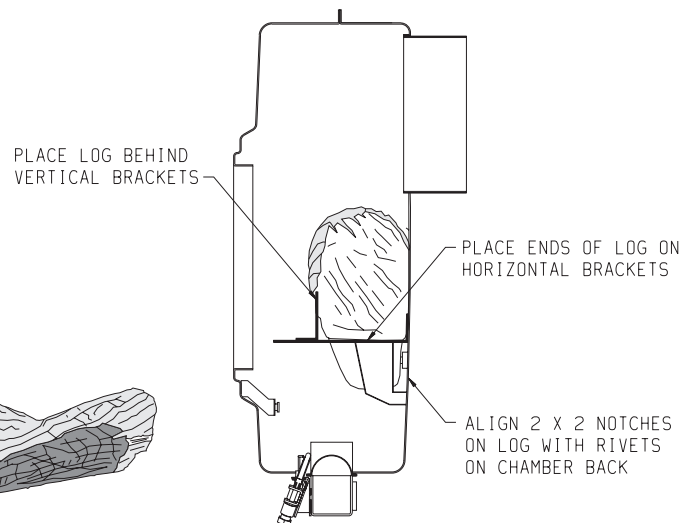
#### Installing Optional Ceramic Log

Attention! In a new room heater installation operate the room heater continuously for one hour before installation of ceramic log. The one hour of continuous operation will allow the metal of the combustion chamber to heat evenly before installation of ceramic log. If an "oil can" noise occurs after combustion chamber has been pre-heated, remove ceramic log and repeat continuous operation of room heater for an additional hour.

1. Turn gas control knob on gas valve to the OFF position. Attention! If room heater has been in operation allow the combustion chamber to cool to room temperature before attempting installation of ceramic log.
2. Remove casing front from room heater.
3. Remove either (4) screws or (6) screws from the glass frame. Carefully remove glass frame with glass from the combustion chamber.
4. Insert and pivot ceramic log into combustion chamber from right to left. Position the ceramic log behind the vertical portion of the (2) brackets located directly above and at each end of the main burner. Align the 2" x 2" (51mm x 51mm) notches on the back of the ceramic log with the rivets on the inside, back of the combustion chamber. Place the ceramic log on the horizontal portion of the (2) brackets.
5. Carefully re-install glass frame onto the combustion chamber with screws removed in Step 3.
6. Light pilot according to Lighting Instructions located on back of casing front or in the Installation Instructions and Owner's Manual.
7. Replace casing front onto room heater.
8. Turn gas control knob on gas valve to the "ON" position to ignite main burner. During initial use of ceramic log you will detect an odor as the ceramic log is cured. Also, during the curing process the ceramic log will burn with a yellow flame.
9. Installation of ceramic log is completed.



INSERT LEFT SIDE OF LOG INTO CHAMBER  
AND PIVOT RIGHT SIDE INTO CHAMBER



CROSS SECTION OF CHAMBER  
WITH LOG INSTALLED