



Order No. X-GBF1500-PRO  
Model No. GBF1500-PRO

Notes:

## Section 10309 - Manufactured Electric Fireplaces

### PART 1 GENERAL

#### 1.1 SECTION INCLUDES

- A. Manufactured electric fireplaces.
- B. Accessories

#### 1.2 RELATED SECTIONS

- A. Section 06100 - Rough Carpentry: Wood framed rough opening and enclosure.

#### 1.3 REFERENCES

- A. UL - 2021
- B. CSA - C22.2 No. 46

#### 1.4 SUBMITTALS

- A. Submit under provisions of Section 01300.
- B. Product Data: Manufacturer's data sheets on each product to be used, including:
  - 1. Preparation instructions and recommendations.
  - 2. Storage and handling requirements and recommendations.
  - 3. Installation methods.
- C. Manufacturer's Certificates: Certify products meet or exceed specified requirements.
- D. Manufacturer's warranty.

#### 1.5 DELIVERY, STORAGE, AND HANDLING

- A. Store products in manufacturer's unopened packaging until ready for installation.
- B. Protect materials from exposure to moisture. Do not deliver until after wet work is complete and dry.

#### 1.6 WARRANTY

- A. Provide the manufacturer's 2-year limited warranty on electrical components.

### PART 2 PRODUCTS

#### 2.1 ACCEPTABLE MANUFACTURERS

- A. Pre-fabricated Electric Fireplace:
  - 1. Base: Dimplex Electric Fireplace  
Glen Dimplex Americas  
1367 Industrial Road  
Cambridge ON N3H 4W3  
1-888-346-7539  
www.dimplex.com
  - 2. Substitutions not permitted
  - 3. Requests for substitutions will be considered in accordance with provisions of Section 01600.



Order No. X-GBF1500-PRO  
Model No. GBF1500-PRO

Notes:

## Section 10309 - Manufactured Electric Fireplaces

### 2.2 ELECTRIC FIREPLACES

#### A. General:

1. Provide all components and accessories required for a complete, functional unit.
2. UL or CSA listed.

#### B. Pre-fabricated Electric Fireplace:

##### 1. Base Product:

- a) Dimplex Electric Firebox, includes:
- b) Material Number: CDFI-BX1500, Regulatory model number: 6910370100
- c) Material Number: CDFI1000-PRO, Regulatory model number: 6909660300
- d) Material Number: CDFI500-PRO, Regulatory model number: 6909660400
- e) Material Number: FG1000

##### 2. Description: Optimyst Pro Box Heater

##### 3. Dimensions (with included trim):

- a) Width: 65" / 165.0 cm
- b) Height: 31-3/4" / 80.5 cm
- c) Depth: 16-1/4" / 41.2 cm

##### 4. Framing Dimensions:

- a) Width: 55-3/8" / 166.0 cm
- b) Height: 32-3/8" / 82.0 cm
- c) Depth: 14-3/4" / 37.3 cm

##### 5. Electrical:

- a) Volts: 120 V
- b) Watts: 1490 W
- c) Amps: 12.42

##### 6. Venting: Non-venting

**CAUTION:** When determining a location for the Opti-myst Pro Box, ensure that the unit will not be susceptible to drafts, vents, ceiling fans and other air currents. Similar to a candle, large movements of air will affect the unit's ability to create and maintain the flame effect. An optional glass pane can be purchased to complete the look, and/or address airflow concerns.

##### 7. Operation: Flame only, flame and heat, one side only

##### 8. Heating: Fan-forced heater

##### 9. Standard features:

- a) Patented 3D flame effect produced by LED lights and fine mist
- b) Optional plumbing connection for continuous water supply
- c) Overflow sensor to automatically shutting off water supply to prevent leaks
- d) Adjustable flame volume control



Order No. **X-GBF1500-PRO**  
Model No. **GBF1500-PRO**

Notes:

## Section 10309 - Manufactured Electric Fireplaces

- e) Safe, cool-touch surfaces, ideal for residential and commercial applications
  - f) Front glass used for single sided applications where drafts may be a concern. Use along with optional Rear Glass Pane for see-through installations
11. Control options:
- a) Direct wired to 120V circuit
  - b) Multi-functional remote
  - c) Bluetooth receiver with manual controls
  - d) Built-in controls
12. Optional Accessories:
- a) Log kit media – CDFILOG (x3)
  - b) Driftwood Media Kit – CDFI1500-DWSKIT
  - c) River Rock Media Kit – CDFI1500-RVRCK
  - d) Black Rock Media Kit – CDFI1500-BLKRCK
  - e) Rear glass pane, use with FG1500 for see-through design – GBF1500-GLASS
  - f) Plumb kit for continuous water supply – CDFIPLUMB-KIT

### PART 3 EXECUTION

#### 3.1 INSPECTION

- A. Do not begin installation until substrates have been properly prepared.
- B. If substrate preparation is the responsibility of another installer, notify Architect of unsatisfactory preparation before proceeding.
- C. Verify proper power supply and fuel source are available.

#### 3.2 PREPARATION

- A. Clean surfaces thoroughly prior to installation.
- B. Prepare surfaces using the methods recommended by the manufacturer for achieving the best result for the substrate under the project conditions.

#### 3.3 INSTALLATION

- A. Install in accordance with manufacturer's instructions and requirements of authorities having jurisdiction.
- B. Use manufacturer's guidelines for minimum clearances to combustibles, walls, and finishes.
- C. Anchor all components firmly in position for long life under hard use.
- D. Upon completion of installation, visually inspect all exposed surfaces. Touch up scratches and abrasions with touch up paint recommended by the manufacturer; make imperfections invisible to the unaided eye from a distance of 5 feet (1.5 m).
- E. To use the mobile app, install where a WiFi connection is available.

#### 3.4 PROTECTION

- A. Protect installed products until completion of project.
- B. Touch-up, repair or replace damaged products before Substantial Completion.

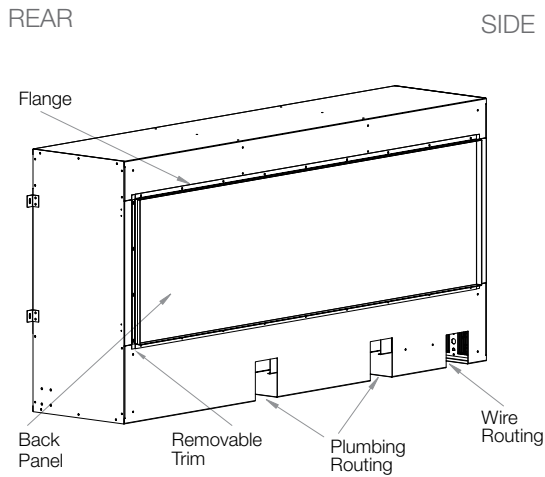
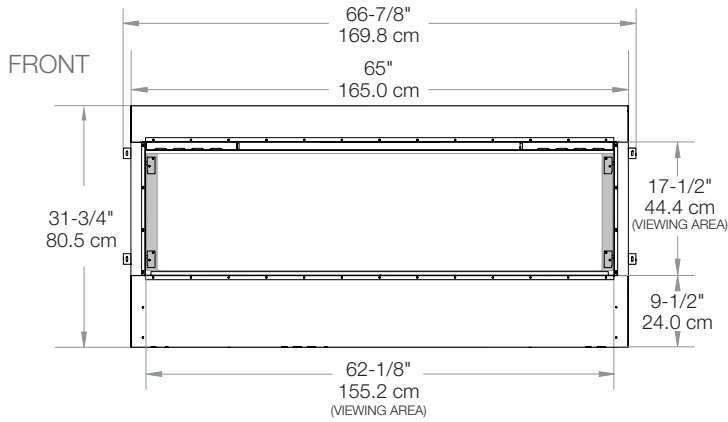
**END OF SECTION**



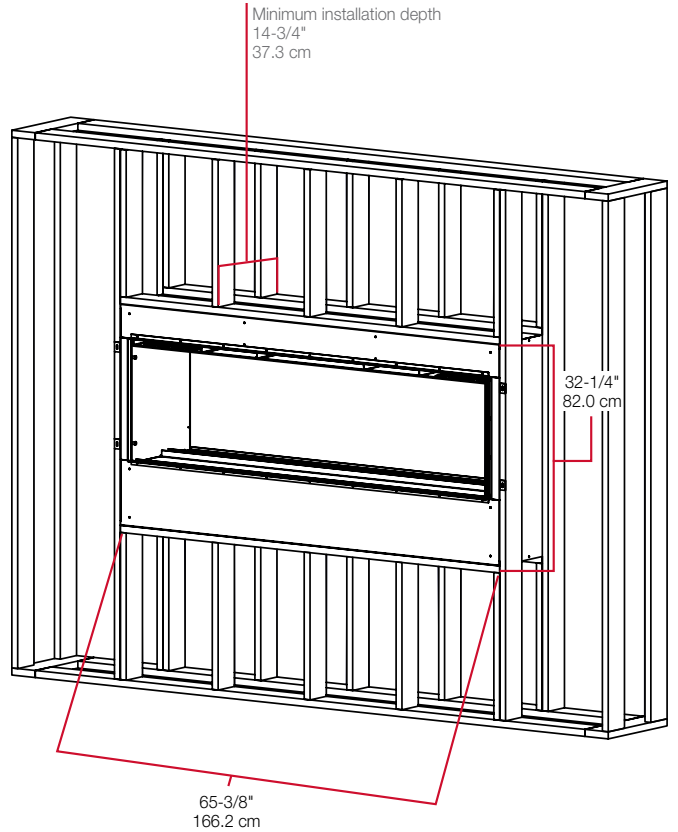
Order No. **X-GBF1500-PRO**  
Model No. **GBF1500-PRO**

Notes:

### Product Dimensions:



### Framing Dimensions:



**Bluetooth Receiver**  
Must be connected for operation.  
Can be recessed inside the wall or installed for remote control accessibility.