



Service Manual

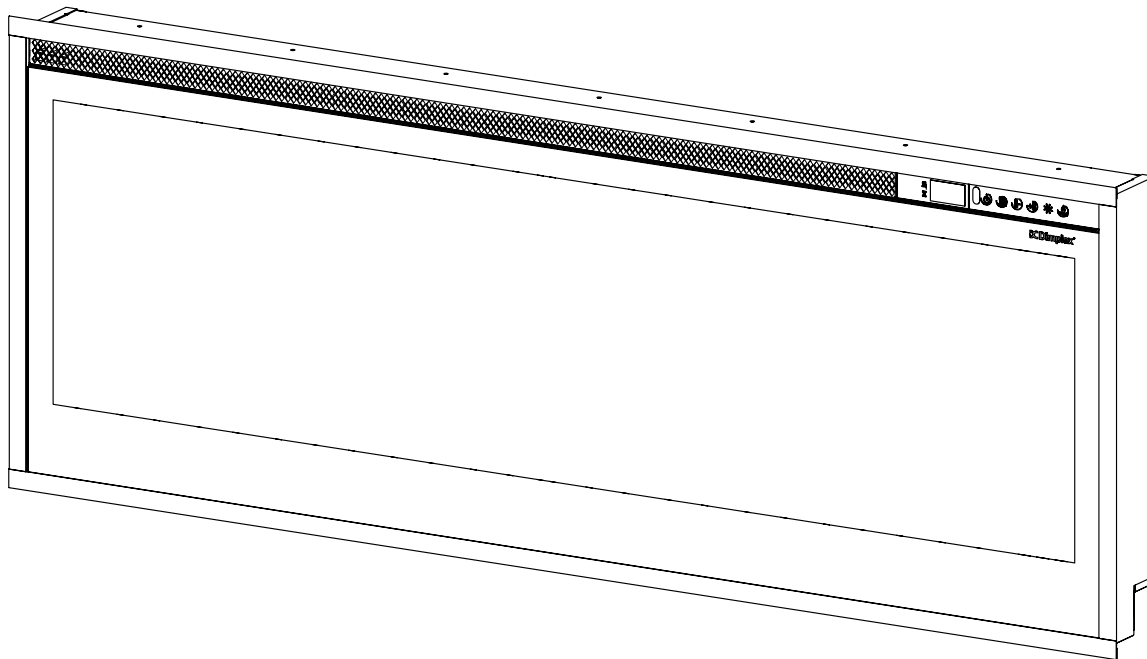
Models

PLF3614-XS - 6910470100

PLF4214-XS - 6910470200

PLF5014-XS - 6910470300

PLF6014-XS - 6910470400



IMPORTANT SAFETY INFORMATION:


Read this manual first before attempting to install or use this electric fireplace. Always comply with the warnings and safety instructions contained in this manual to prevent personal injury or property damage.


Table of Contents

Exploded Parts Diagram	3
Replacement Parts List.	3
Wiring Diagrams	4
PLF3614-XS	4
PLF4214-XS	4
PLF5014-XS	5
PLF6014-XS	5
Replacement Part Procedures	6
Preparing the Firebox for Service	6
Heater Assembly Replacement	7
Power Supply Replacement	8
Main Control Board Replacement	9
Hidden Touch Controls Replacement	10
Relay Board Replacement	11
Temperature Sensor (NTC) Replacement	12
Flicker Motor Replacement	13
Flame LED Replacement	14
Media LED Replacement	15
Troubleshooting	16

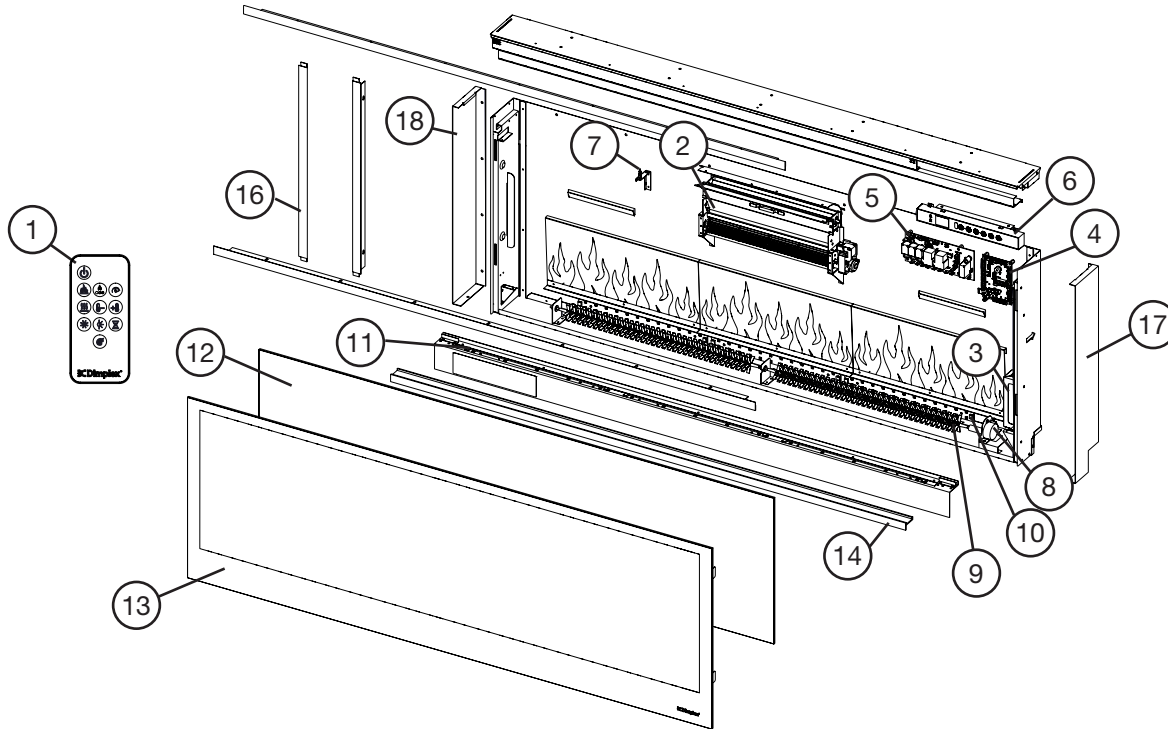
Conventions used in this manual:

! **NOTE:** Procedures and techniques that are considered important enough to emphasize.

 **CAUTION:** Procedures and techniques which, if not carefully followed, will result in damage to the equipment.

 **WARNING:** Procedures and techniques which, if not carefully followed, will expose the user to the risk of fire, serious injury, or death.

Exploded Parts Diagram

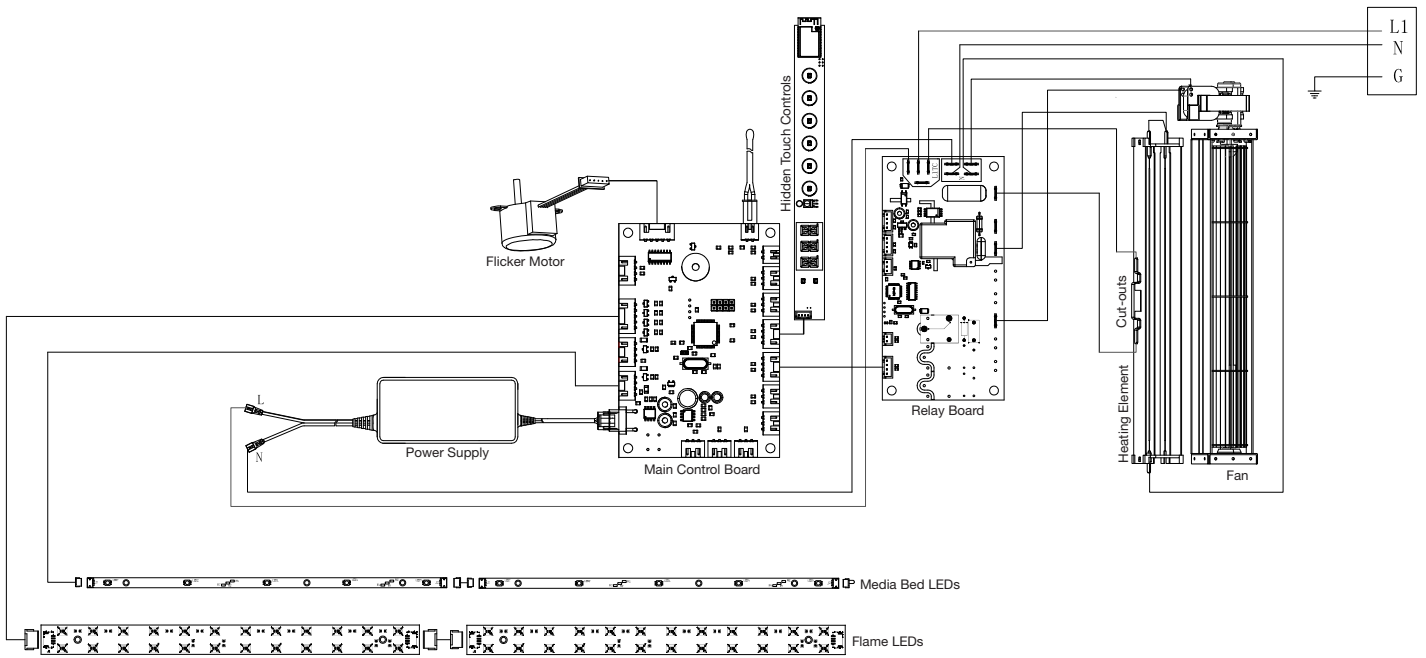


Replacement Parts List

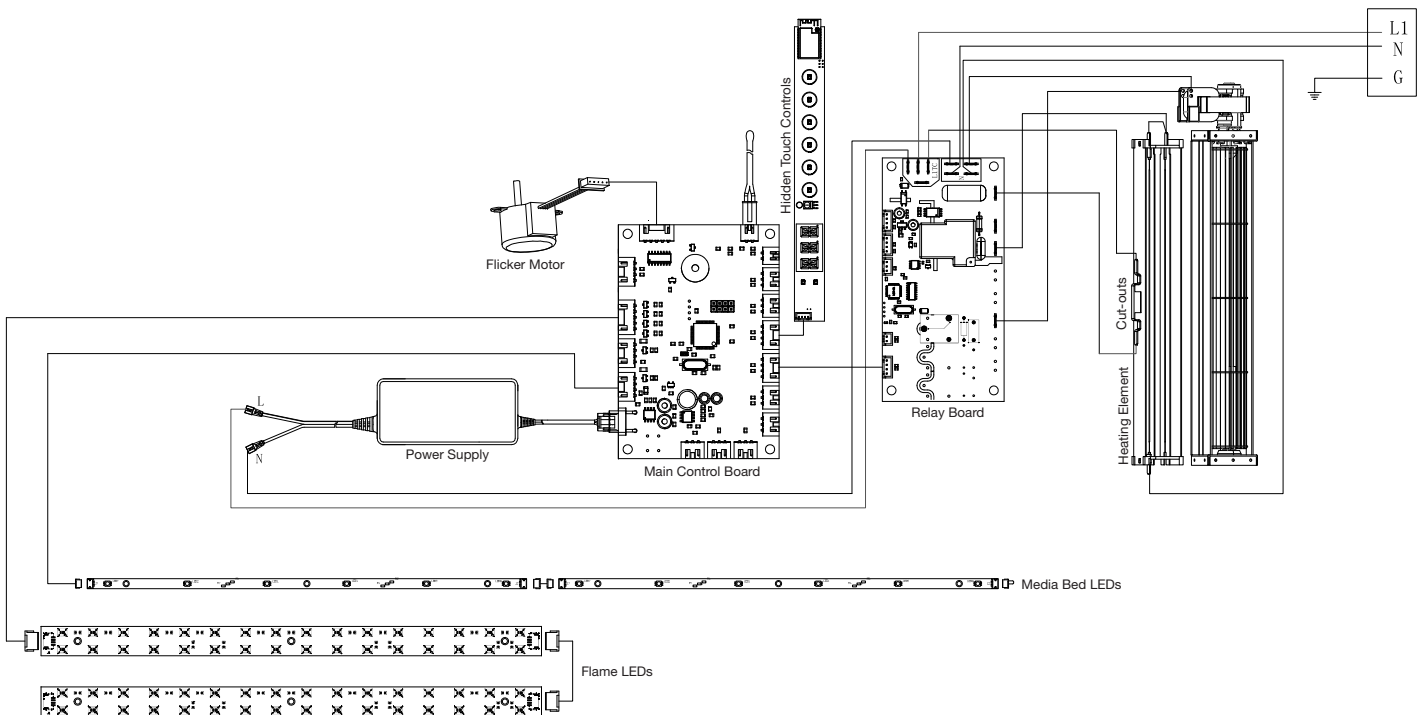
1. Remote Control	X-3002370100RP	12. Mirrored Glass	
2. Heater Assembly	X-2203870100RP	PLF3614-XS	X-5904010100RP
3. Power Supply		PLF4214-XS	X-5904010200RP
PLF3614-XS & PLF4214-XS	X-2100250600RP	PLF5014-XS	X-5904010300RP
PLF5014-XS & PLF6014-XS	X-2100250500RP	PLF6014-XS	X-5904010400RP
4. Main Control Board	500002258	13. Front Glass	
5. Relay Board	500002259	PLF3614-XS	X-5904040100RP
6. Hidden Touch Controls		PLF4214-XS	X-5904040200RP
PLF3614-XS	500002270	PLF5014-XS	X-5904040300RP
PLF4214-XS	500002271	PLF6014-XS	X-5904040400RP
PLF5014-XS	500002272	14. Media Tray	
PLF6014-XS	500002273	PLF3614-XS	500002373
7. Temperature Sensor (NTC)	X-3001560600RP	PLF4214-XS	500002374
8. Flicker Motor	X-2000550100RP	PLF5014-XS	500002375
9. Flicker Rod		PLF6014-XS	500002376
PLF3614-XS	X-5904050100RP	15. Acrylic Crystals	X-1400150300RP
PLF4214-XS	X-5904050200RP	<i>*An excess number of crystals are provided. Use only the desired quantity.</i>	
PLF5014-XS	X-5904050300RP	16. Trim Assembly	
PLF6014-XS	X-5904050400RP	PLF3614-XS	X-1037110100RP
10. Flame LED Strip		PLF4214-XS	X-1037110200RP
PLF3614-XS (2)	X-3002260100RP	PLF5014-XS	X-1037110300RP
PLF4214-XS (2)	X-3002260200RP	PLF6014-XS	X-1037110400RP
PLF5014-XS (3)	X-3002260100RP	17. Right Side Panel	X-1037880100RP
PLF6014-XS (3)	X-3002260200RP	18. Left Side Panel	X-1037890100RP
11. Media LED Strip		19. Hardware Kit	
PLF3614-XS (2)	X-3002350400RP	PLF3614-XS/PLF4214-XS	X-9602860100RP
PLF4214-XS (2)	X-3002350200RP	PLF5014-XS/PLF6014-XS	X-9602860300RP
PLF5014-XS (3)	X-3002350400RP	20. Main Board Jumper	X-4300520100RP
PLF6014-XS (3)	X-3002350200RP	21. Heat Disable Jumper	X-4300520100RP

Wiring Diagrams

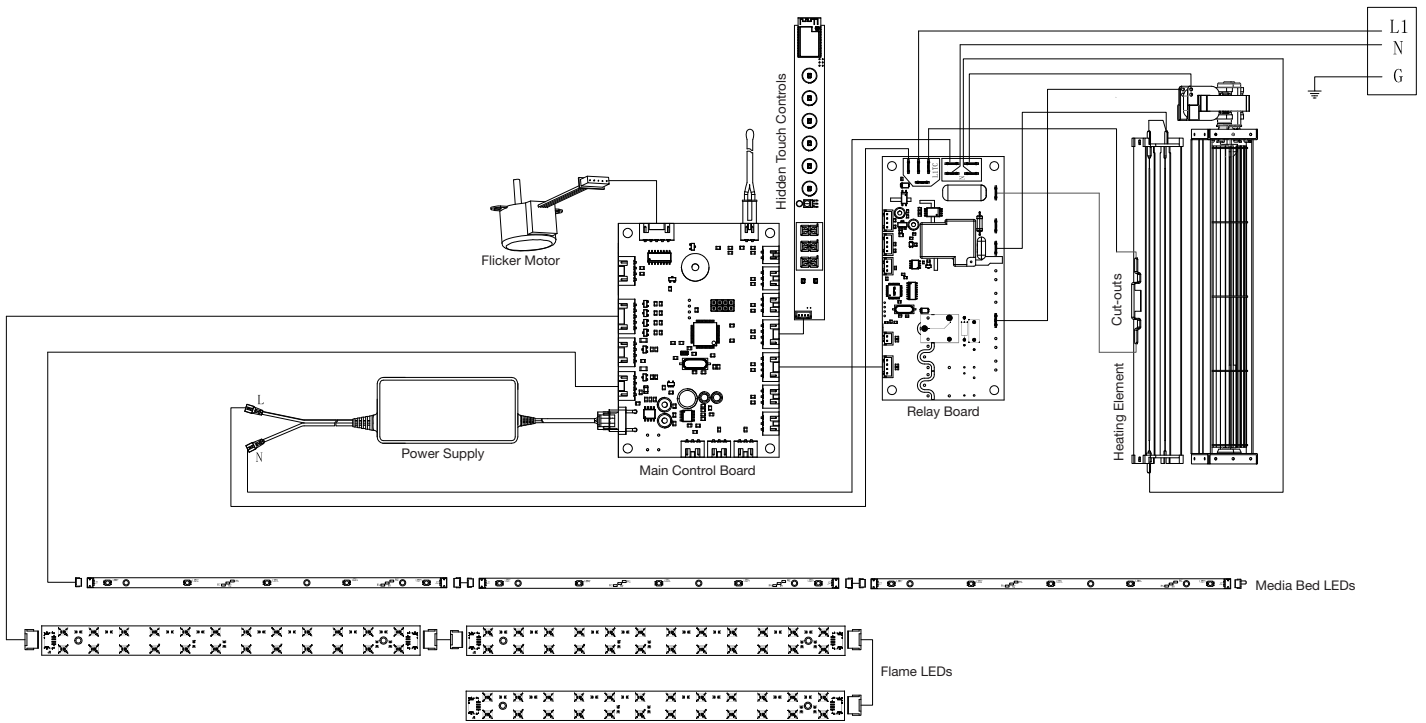
PLF3614-XS



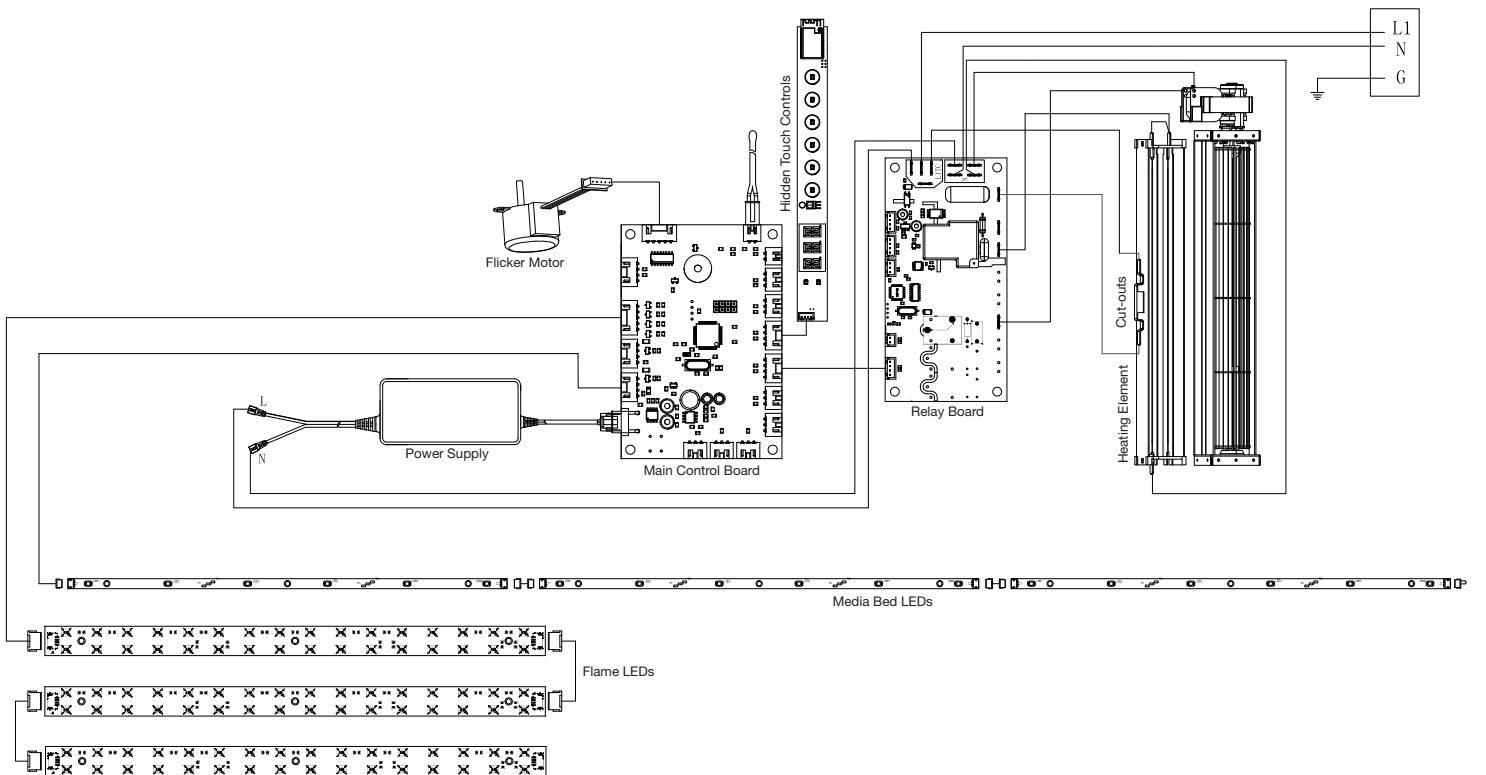
PLF4214-XS



PLF5014-XS



PLF6014-XS



Replacement Part Procedures

Preparing the Firebox for Service

⚠ WARNING: If the the fireplace was operating prior to servicing, allow at least 10 minutes for the heating elements to cool off to avoid accidental burning of skin.

⚠ WARNING: Disconnect power before attempting any maintenance to reduce the risk of electric shock or injury to persons.

Tools Required: Phillips Head Screwdriver
Suction Cup (if available)
Container (to hold media)

1. Remove front glass by lifting it up slightly, using the suction cup for assistance if available. Set the glass in a safe place for the duration of the service. (Figure 1)
2. Place the media in a container.
3. Unscrew the 2 screws on each side of the media tray and remove the media tray brackets. (Figure 2)
4. Remove the media tray.
5. Remove the 3 screws on the mirrored glass bracket(s). Ensure the mirrored glass does not unintentionnaly fall forward. (Figure 3)
6. Attach the suction cup to the mirrored glass to assist with removal. Ensure the seal is tight.
7. Tilt the mirrored glass and lift to remove it. Set it in a safe place for the duration of the service. (Figure 4)

Figure 1

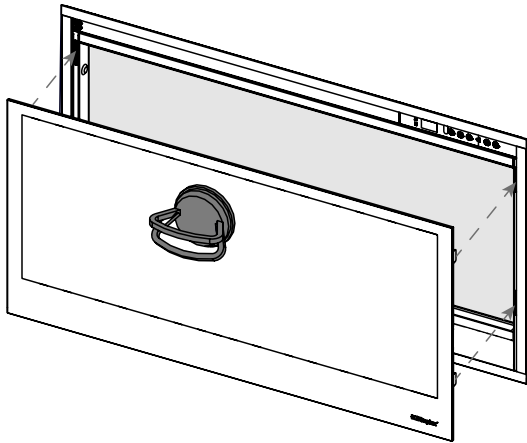


Figure 2

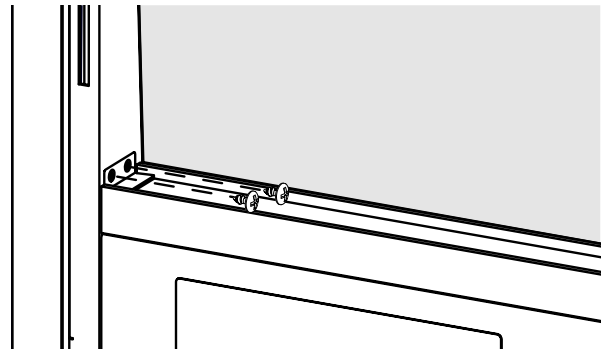


Figure 3

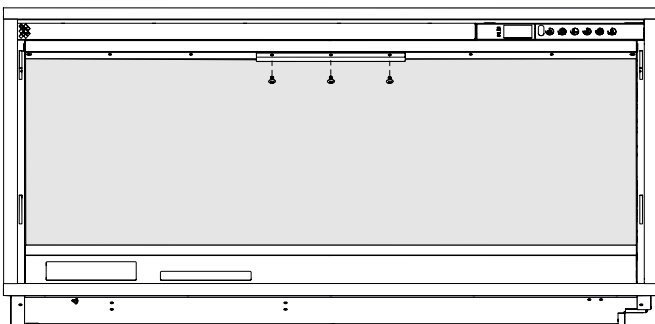
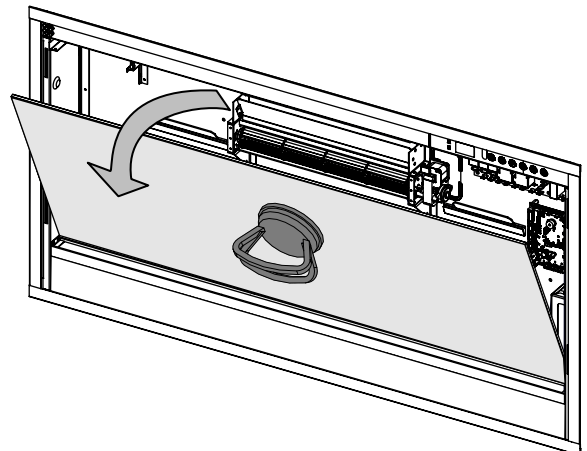


Figure 4



Heater Assembly Replacement

Tools Required: Phillips Head Screwdriver
Side Cutters
Pliers

1. Follow the instructions for *Preparing the Firebox for Service* on page 6.
2. Remove the center rail (number of screws will vary by model.) (Figure 5)
3. Remove the 4 screws that hold the electronics cover panel. (Figure 5)
4. Remove the 2 screws on each heater assembly bracket (4 screws total). (Figure 6)
5. Trace the 4 wires from the defective heater assembly to the relay board. Disconnect the wiring connections, making note of their original locations. Cut any restrictive wire ties.
6. Position the new heater assembly and secure it using the brackets and screws previously removed.
7. Connect the wires from the new heater assembly to their correct locations on the relay board.
8. Reassemble the fireplace.

Figure 5

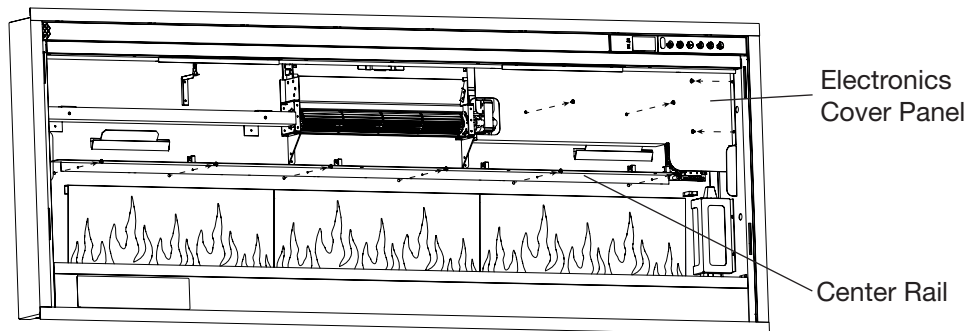
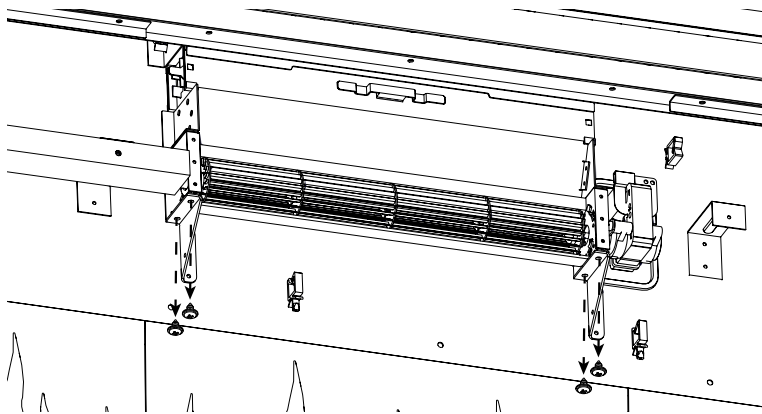


Figure 6

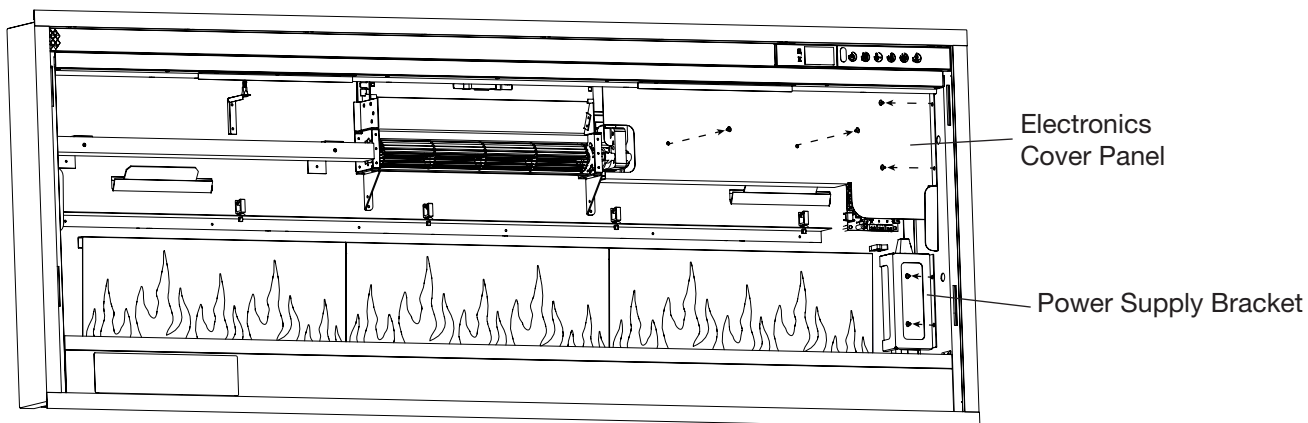


Power Supply Replacement

Tools Required: Phillips Head Screwdriver
Side Cutters (to cut wire ties)

1. Follow the instructions for *Preparing the Firebox for Service* on page 6.
2. Remove the 4 screws that hold the electronics cover panel. (Figure 7)
3. Remove the 2 screws that hold the power supply bracket. (Figure 7)
4. Trace the wires from the defective power supply to the relay board.
5. Cut wire ties that secure the bundles of wire that include the wires from the power supply. Set the rubber sleeve aside.
6. Replace the connections on the relay board from the defective power supply to the new power supply.
7. Reinstall the rubber sleeve around the bundle of wires and secure it using the 3 of the provided wire ties.
8. Secure the wires previously bundled using one of the provided wire ties.
9. Position the new power supply and secure it using the previously removed power supply bracket.
10. Reinstall the electronics cover panel.
11. Reassemble the fireplace.

Figure 7



Main Control Board Replacement

Tools Required: Phillips Head Screwdriver

⚠ CAUTION: Do not remove the conversion jumper from the new main control board. (Figure 9) The Heat Disable jumper should only be removed if a permanently heat-disabled installation is required. See owner's manual for more information.

1. Follow the instructions for *Preparing the Firebox for Service* on page 6.
2. Remove the 4 screws that hold the electronics cover panel. (Figure 7)
3. Remove the 4 screws located on each corner of the main control board. (Figure 10)
4. Disconnect the wires from the main control board, noting their original locations.
5. Connect the wires on the new main control board in the correct locations.
6. Secure the main control board using the previously removed screws.
7. Replace any wire ties that have been removed.
8. Reinstall the electronics cover panel.
9. Reassemble the fireplace.

Figure 8

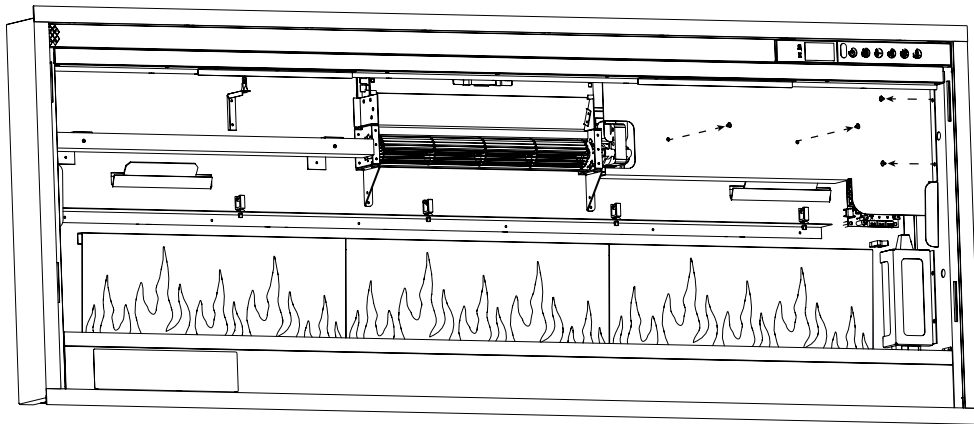
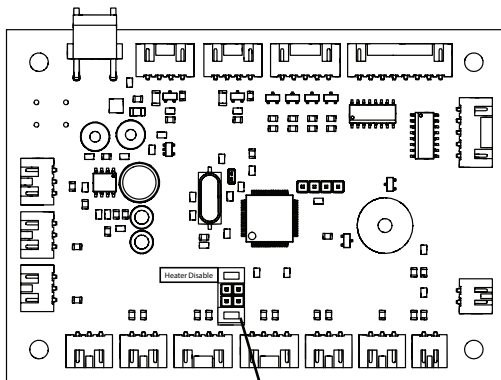
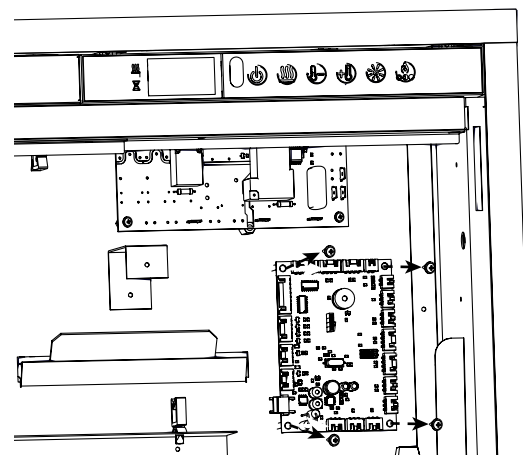


Figure 9



DO NOT remove this jumper (there are two jumpers on this board)

Figure 10



Hidden Touch Controls Replacement

Tools Required: Phillips Head Screwdriver

1. Follow the instructions for *Preparing the Firebox for Service* on page 6.
2. Remove the 4 screws that hold the electronics cover panel. (Figure 8, page 9)
3. Remove the screws that secure the L-channel (number of screws will vary by model). (Figure 11)
4. Using the semi-circle grooves in the C-channel as guides for the screwdriver, remove the screws that secure the C-channel (number of screws will vary by model). (Figure 12)
5. Remove the 2 screws that secure the hidden touch controls bracket. (Figure 13)
6. Disconnect the connector from the hidden touch controls.
7. Remove the 2 screws that secure the hidden touch controls to the bracket. (Figure 14)
8. Secure the new hidden touch control assembly to the bracket using the previously removed screws.
9. Connect the new hidden touch control assembly.
10. Secure the bracket using the previously removed screws.
11. Secure the C-channel by inserting the screws through the semi-circle grooves.
12. Secure the L-channel. Ensure not to insert screws in the holes intended for the mirrored glass bracket(s).
13. Reinstall the electronics cover panel.
14. Replace the QR Code labels provided over the existing QR label on the fireplace (Figure 11) and on the back of the owner's manual. If using the Flame Connect app, you will need to reconnect your fireplace to the app following replacement of the hidden touch controls.
15. Reassemble the unit.

Figure 11

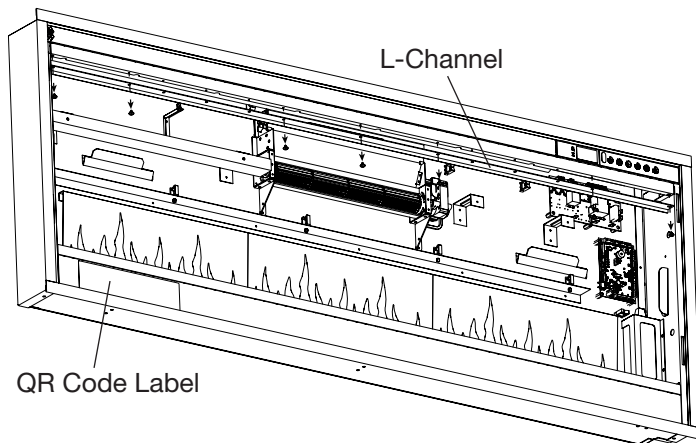


Figure 12

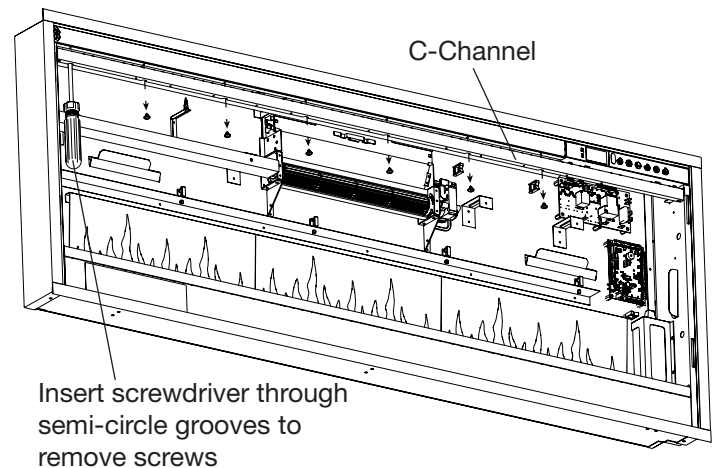


Figure 13

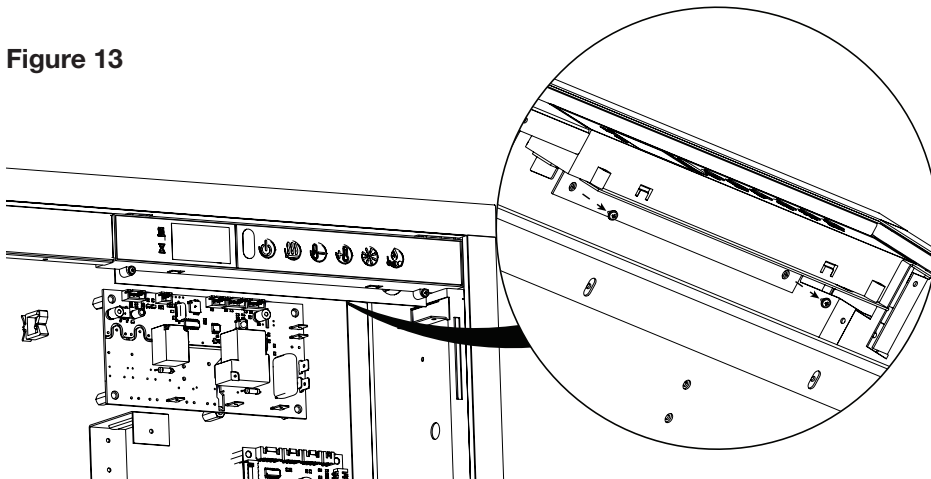


Figure 14

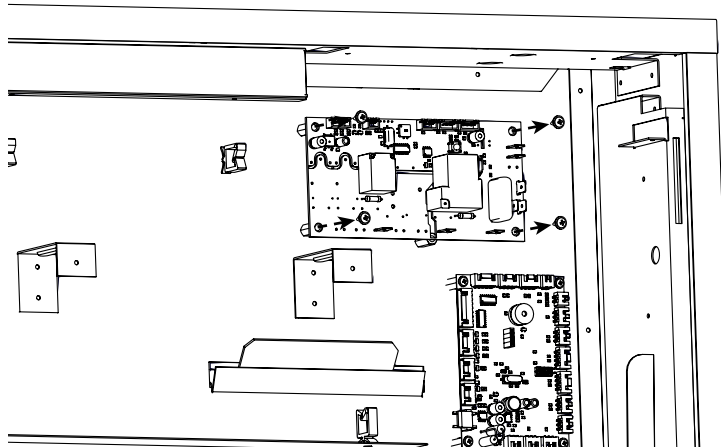


Relay Board Replacement

Tools Required: Phillips Head Screwdriver
Side Cutters

1. Follow the instructions for *Preparing the Firebox for Service* on page 6.
2. Remove the 4 screws that hold the electronics cover panel. (Figure 8, page 9)
3. Remove the screws that secure the L-channel (number of screws will vary by model). (Figure 11, page 10)
4. Using the semi-circle grooves in the C-channel as guides, remove the screws that secure the c-channel (number of screws will vary by model). (Figure 12, page 10)
5. Remove the 2 screws that secure the hidden touch controls bracket. (Figure 13)
6. Remove the 4 screws located on each corner of the relay board. (Figure 15)
7. Replace the connections from the defective relay board to the new relay board, cutting any wire ties that are too restrictive.
8. Secure the relay board using the previously removed screws.
9. Replace any wire ties that have been removed.
10. Secure the hidden touch controls assembly.
11. Secure the C-channel by inserting the screws through the semi-circle grooves.
12. Secure the L-channel. Ensure not to insert screws in the holes intended for the mirrored glass bracket(s).
13. Reinstall the electronics cover panel.
14. Reassemble the unit.

Figure 15

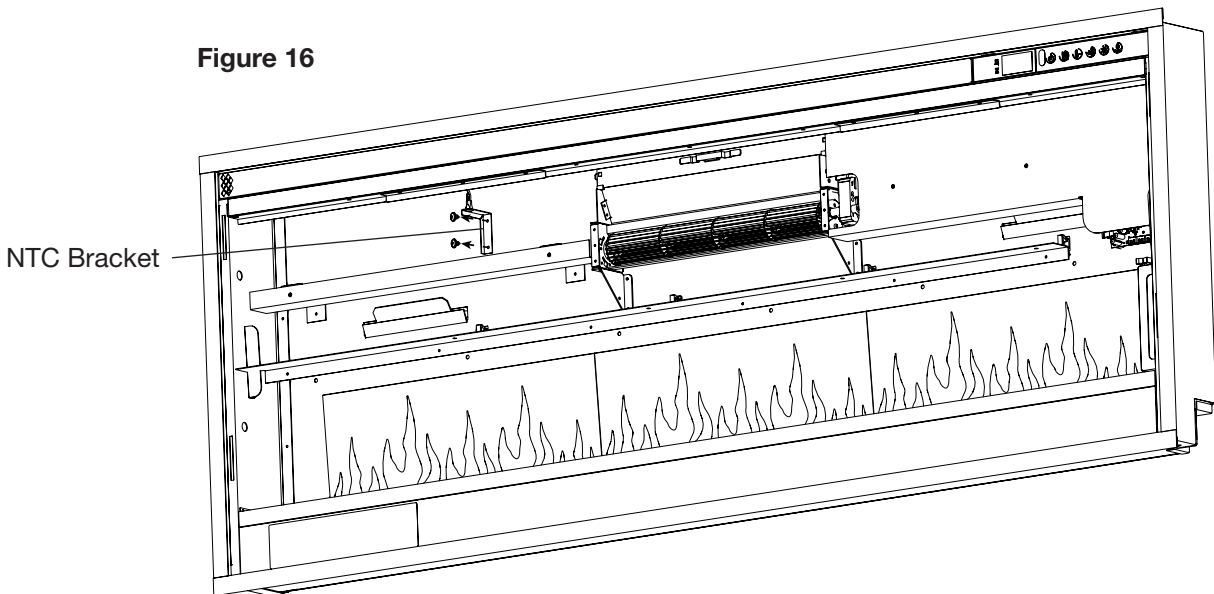


Temperature Sensor (NTC) Replacement

Tools Required: Phillips Head Screwdriver
Side Cutters

1. Follow the instructions for *Preparing the Firebox for Service* on page 6.
2. Remove the 2 screws on the NTC bracket. (Figure 16)
3. Trace the NTC wire to the main control board.
4. Disconnect the NTC and remove it, cutting any restrictive wire ties. Make note of the location of the NTC connector.
5. Feed the connector from the new NTC toward the main control board, and connect it into the correct location.
6. Secure the new NTC on the NTC bracket using the provided wire tie.
7. Secure the bracket using the 4 screws previously removed.
8. Reassemble the fireplace, ensuring the NTC wire is secured away from the mirrored glass when re-installing it.

Figure 16



Flicker Motor Replacement

Tools Required: Phillips Head Screwdriver
Side Cutters

1. Follow the instructions for *Preparing the Firebox for Service* on page 6.
2. Remove the 2 screws on each side of the bottom panel (4 total). Disconnect the LED connection, and set the bottom panel aside. (Figure 17)
3. Remove the 2 screws that secure the flicker motor bracket. (Figure 18)
4. Disconnect the flicker motor from the flicker rod.
5. Remove the 2 screws that secure the flicker motor to the flicker motor bracket. (Figure 19)
6. Cut the wire ties from the bundle of wires that include the flicker motor wires.
7. Disconnect the flicker motor connection on the main control board, and connect the connector from the new flicker motor.
8. Secure the new flicker motor to the flicker motor bracket.
9. Insert the stick of the flicker motor in the rubber connector from the flicker rod.
10. Secure the flicker motor bracket to the firebox.
11. Secure the previously bundled wires using the previously removed rubber sleeve and the provided wire ties.
12. Secure the bottom panel, ensuring that the LED is reconnected through through the square opening.
13. Reassemble firebox.

Figure 17

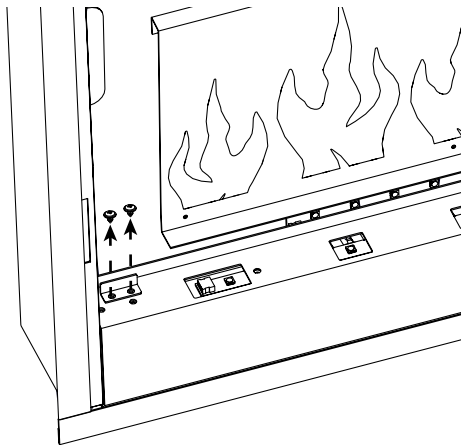


Figure 18

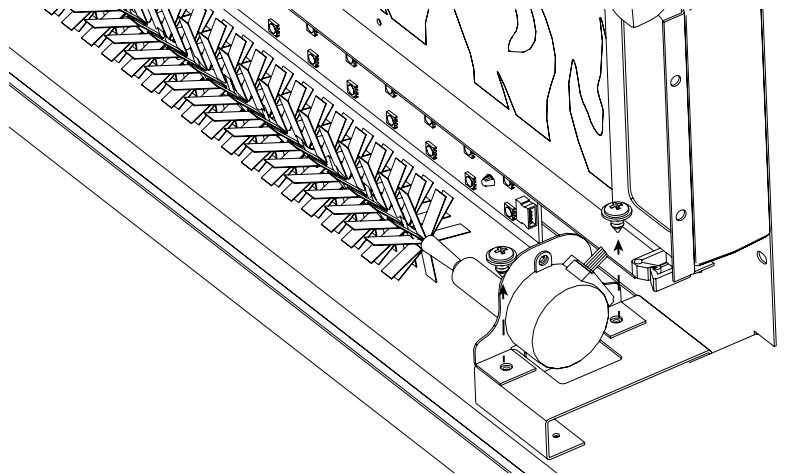
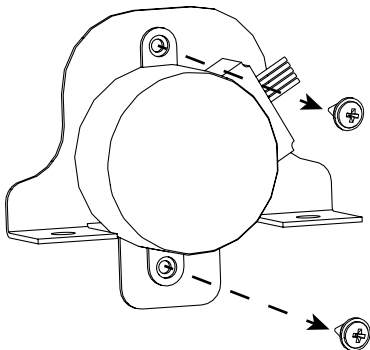


Figure 19



Flame LED Replacement

Tools Required: Phillips Head Screwdriver
Pliers

1. Follow the instructions for *Preparing the Firebox for Service* on page 6.
2. Remove the 2 screws on each side of the bottom panel (4 total). Disconnect the LED connection, and set the bottom panel aside. (Figure 17, page 13)
3. Carefully flex the flicker rod to disconnect it from the right side. Pull each of the center bushings forward to release flicker rod, and pull it out of the left side bracket. (Figure 20)
4. Using pliers, pinch each of the standoff locking tabs while gently pulling the defective board forward to release it. (Figure 21)
5. Disconnect the connector(s) from the defective board.
6. Correctly orient the new board, ensuring that the J1 inscription is oriented toward the right, and connect the connector(s).
7. Secure the new board by positioning its holes over the standoffs.
8. Install the flicker rod by inserting the left side first, then the center brackets, and finally gently flex it to connect the rubber sleeve to the flicker motor stick.
9. Secure the previously bundled wires using the previously removed rubber sleeve and the provided wire ties.
10. Secure the bottom panel, ensuring that the LED is reconnected through through the square opening.
11. Reassemble firebox.

Figure 20

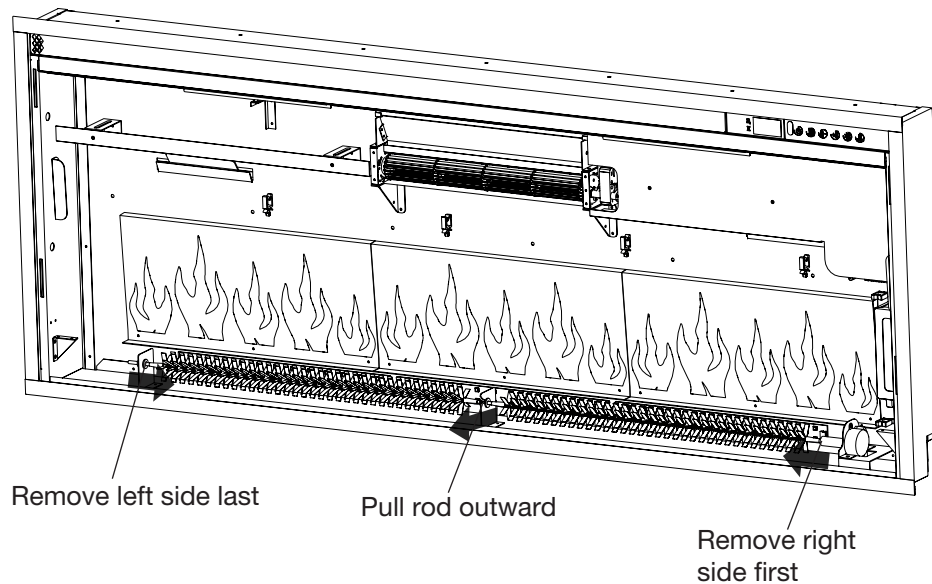
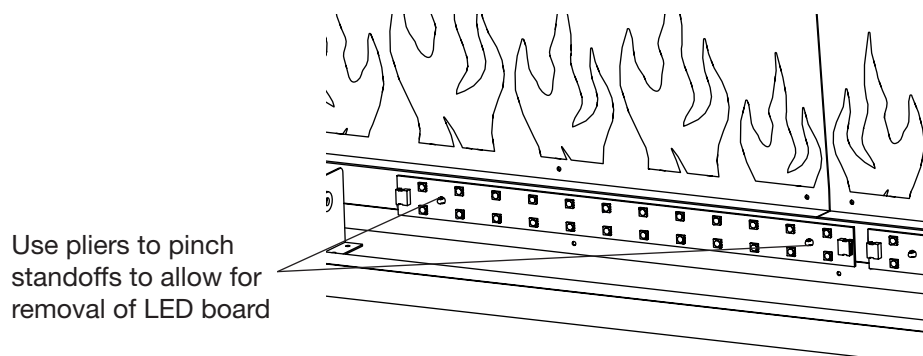


Figure 21

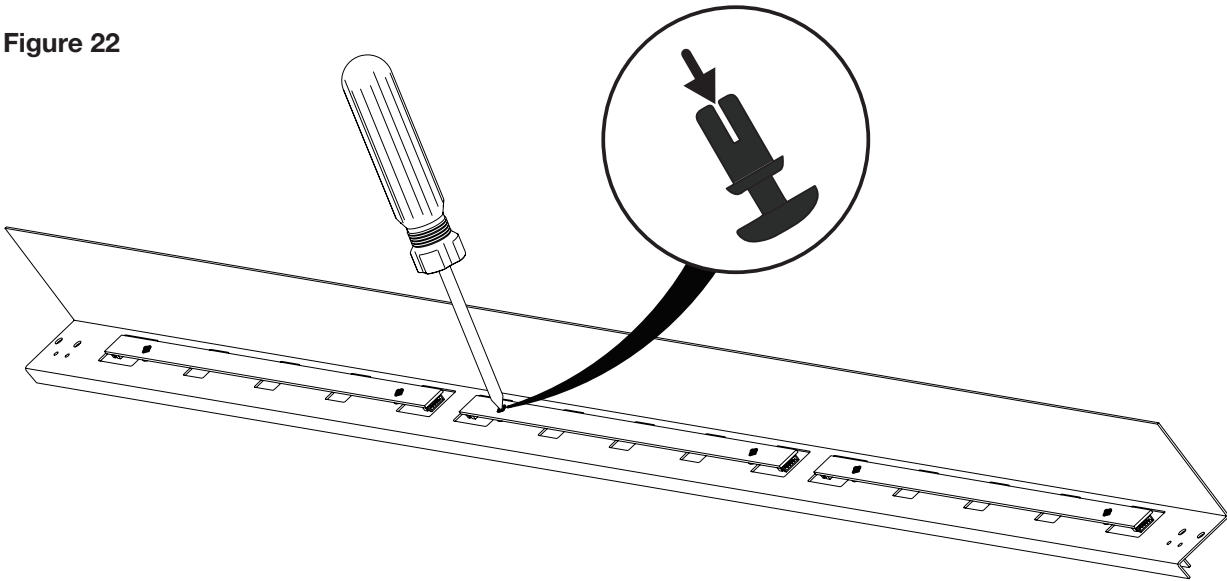


Media LED Replacement

Tools Required: Phillips Head Screwdriver



1. Follow the instructions for *Preparing the Firebox for Service* on page 6.
2. Remove the 2 screws on each side of the bottom panel (4 total). Disconnect the LED connection. (Figure 17, page 13) The media LED boards are located on the underside of the bottom panel.
3. To release the media LED board, use a screwdriver to press the center of each rivet to separate the pin from the base. Set aside the pin and base of each rivet, as well as the circular spacer. (Figure 22)
4. Disconnect the defective LED board.
5. Connect the new LED board, ensuring the J1 marking is oriented toward the right.
6. Position the new LED board.
7. Align the holes on the bottom panel, circular standoff, and LED board and insert the sleeve of the rivet. Insert the pin from the rivet through the sleeve to secure the rivet.
8. Secure the bottom panel, ensuring that the right-side LED is reconnected through through the square opening.
9. Reassemble firebox.

Figure 22



Troubleshooting

For more troubleshooting, consult the XLF-XD Service Manual which can be found at www.dimplex.com/customer_support/technical_and_troubleshooting

Problem	Display	Cause	Solution
Fireplace does not turn on with the manual touch controls	N/A	No incoming power	Ensure unit is wired correctly Check main disconnect panel Ensure wall switch is on (if applicable)
Fireplace does not turn on with the remote control	N/A	Batteries in the remote control are dead or installed incorrectly	Replace remote control battery Ensure battery is installed with + facing up.
		Remote control is defective	Replace the remote control
		IR receiver is defective	Replace hidden touch controls
The flame is running backwards	N/A	Main board is missing the jumper	Add a jumper to the main board
Heater does not turn on	---	Heater is disabled	Press and hold  and  at the same time on the hidden touch controls for 3 seconds to disable or enable the heat function.
	H—	Heater has been permanently disabled	If installation with heat is desired, jumper on main board if available or purchase new main board.
Circuit breaker trips or fuse blows when unit is turned on	N/A	Improper circuit current rating	Install unit on a dedicated minimum 15 amp circuit.
Error Code is displayed	Err 1	Temperature cut-out is activated	Reset breaker and wait 5 minutes before turning unit back on it. If error persists, see Service Manual.
	Err 10	Fan not detected	Fan wire is disconnected. Defective heater assembly. Defective relay board.
	Err 11	Fan error	Defective heater assembly.
	Err 12	Ambient temperature is above 45° C (113° F)	No action required.
	Err 13	Ambient temperature is below 5° C (41° F)	No action required.
	Err 1b	NTC not detected	NTC is unplugged. NTC is defective.
	Err 23	Relay board not detected	Relay board is disconnected. Defective Relay board.

App

For troubleshooting information related to the Flame Connect app, please visit www.dimplex.com/fcapp

REV	ECO	DATE
00	ECO-000279	21-JUL-21
01	ECO-000441	24-MAY-22
02		10-NOV-22
03		24-AUG-23

1-888-346-7539 | www.dimplex.com

In keeping with our policy of continuous product improvement, we reserve the right to make changes without notice.

© 2023 Glen Dimplex Americas

