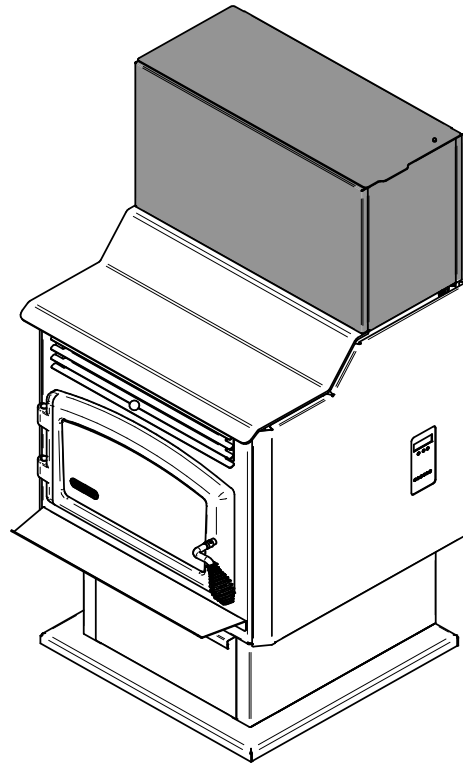
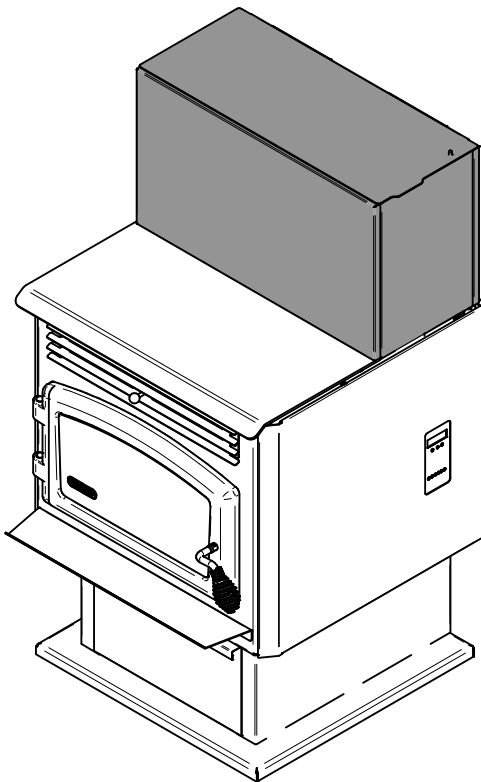




HOPPER EXTENSION ECO-55 AND ECO-55 ST

AC01393

INSTALLATION INSTRUCTIONS



Stove Builder International Inc.

250, de Copenhague street, St-Augustin-de-Desmaures
(Québec) Canada, G3A 2H3

Customer Service : 418-908-8002

Email : tech@sbi-international.com

www.drolet.ca



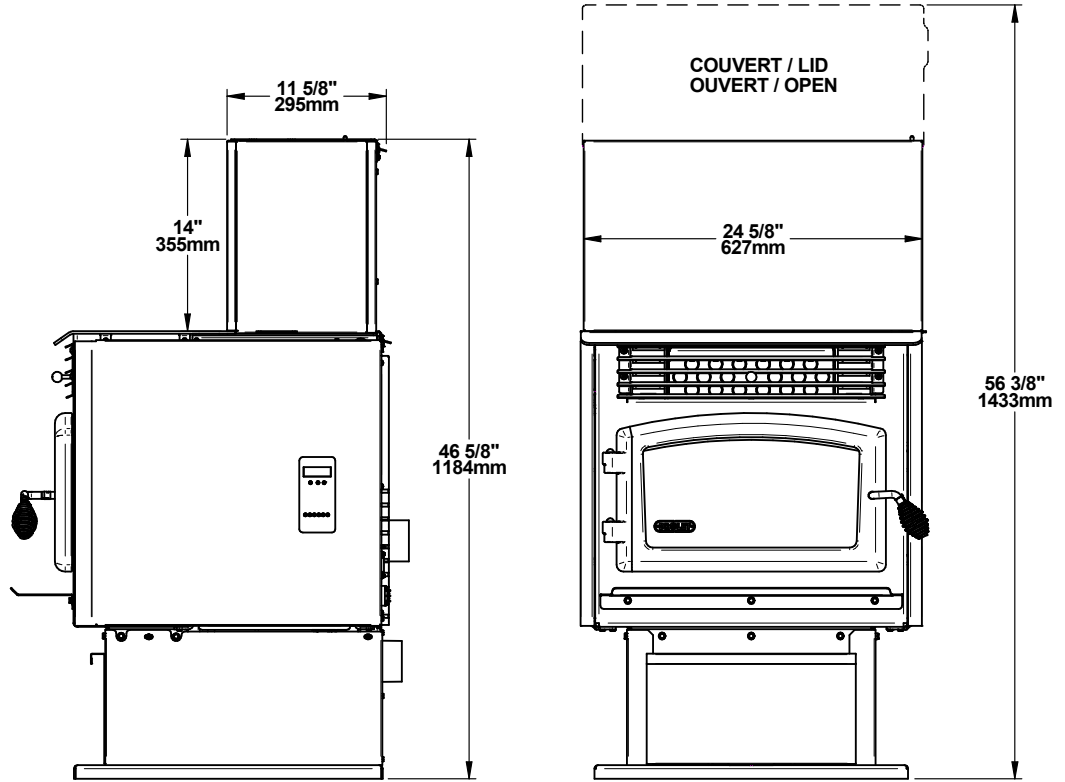
This manual is available for free download on the manufacturer's website. It is a copyrighted document. Re-sale is strictly prohibited. The manufacturer may update this manual from time to time and cannot be responsible for problems, injuries, or damages arising out of the use of information contained in any manual obtained from unauthorized sources.

APPLICATION

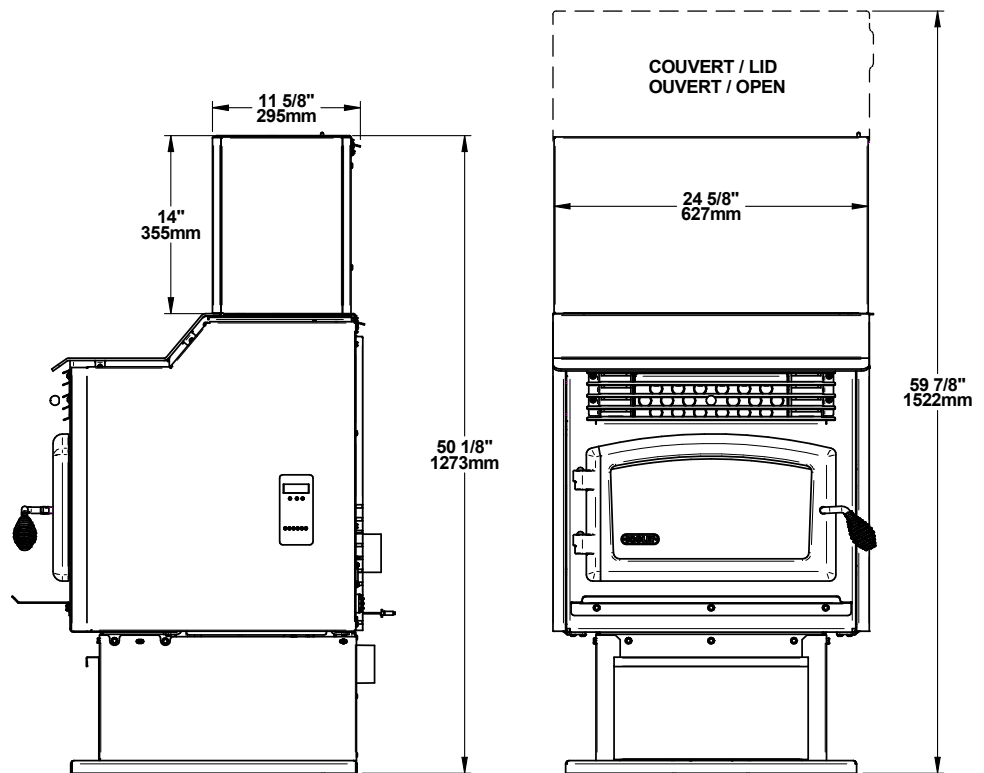
This hopper extension increases the hopper capacity of the ECO-55 (DP00070) and the ECO-55 ST (DP00071). For the ECO-55, it can be increased from 60 lbs to 140 lbs. For the ECO-55 ST, it can be increased from 80 lb to 160 lb.

OVERALL DIMENSIONS

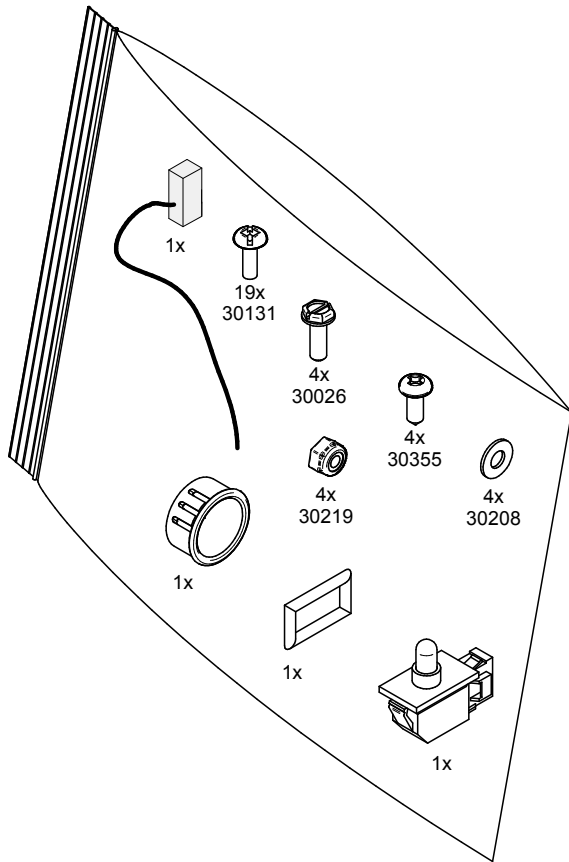
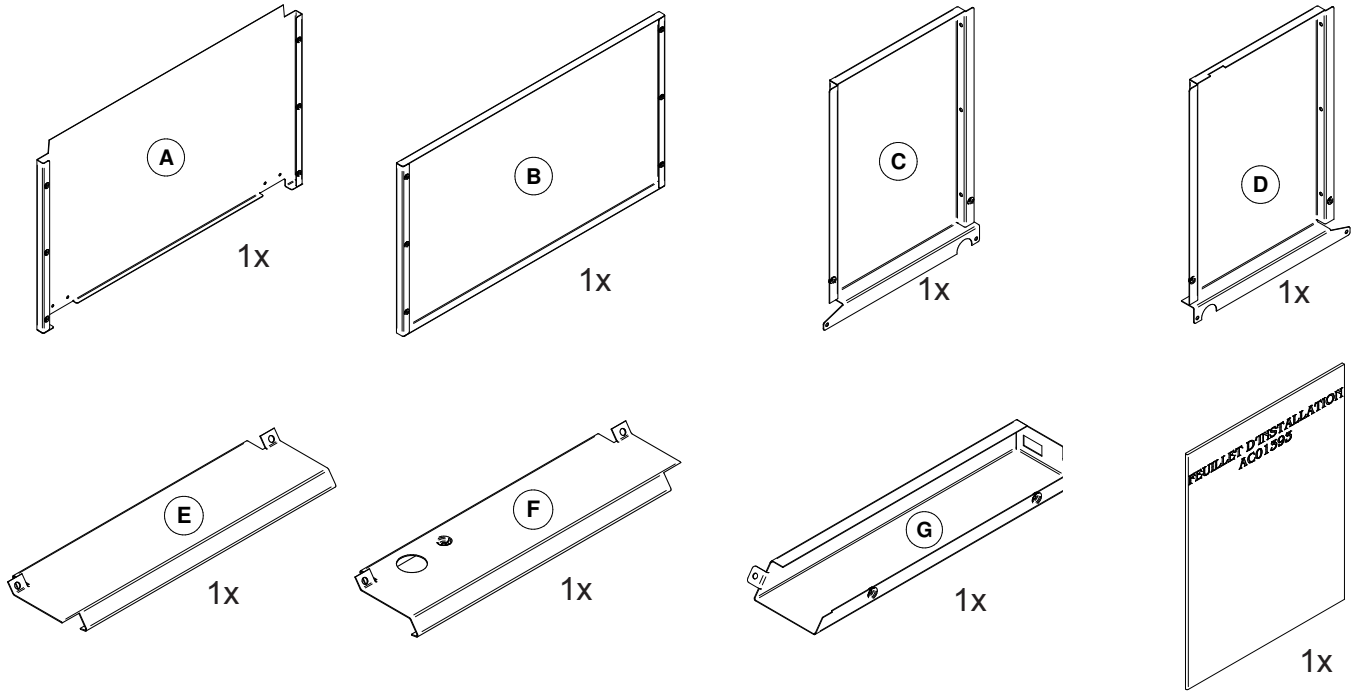
ECO-55 (DP00070)



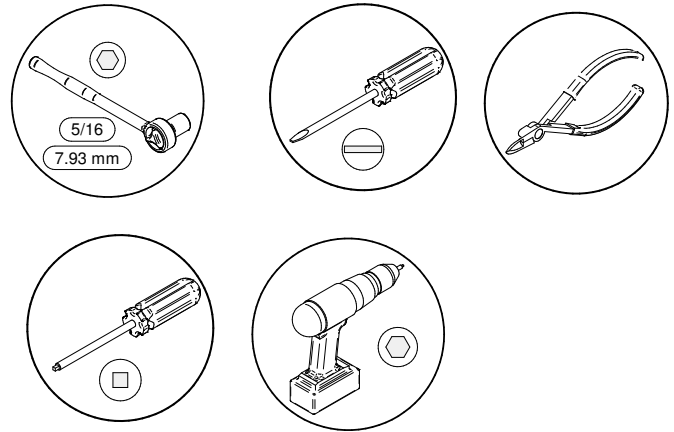
ECO-55 ST (DP00071)



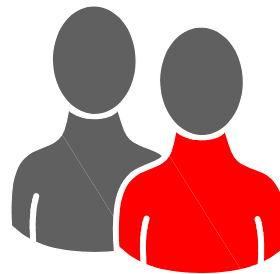
KIT CONTENTS

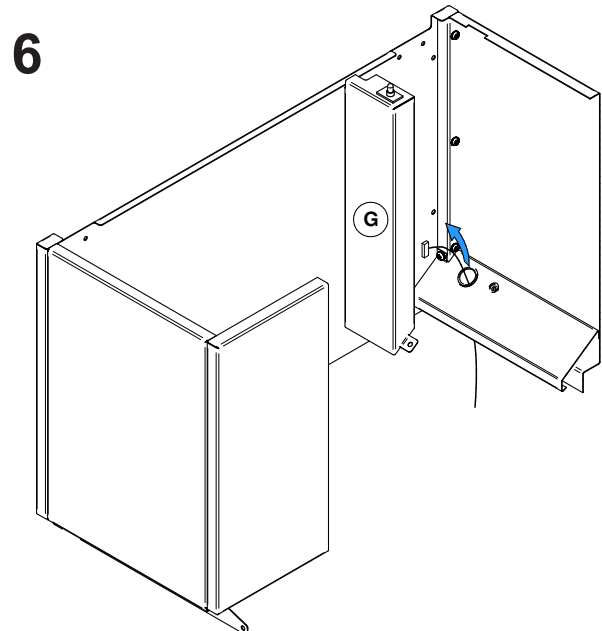
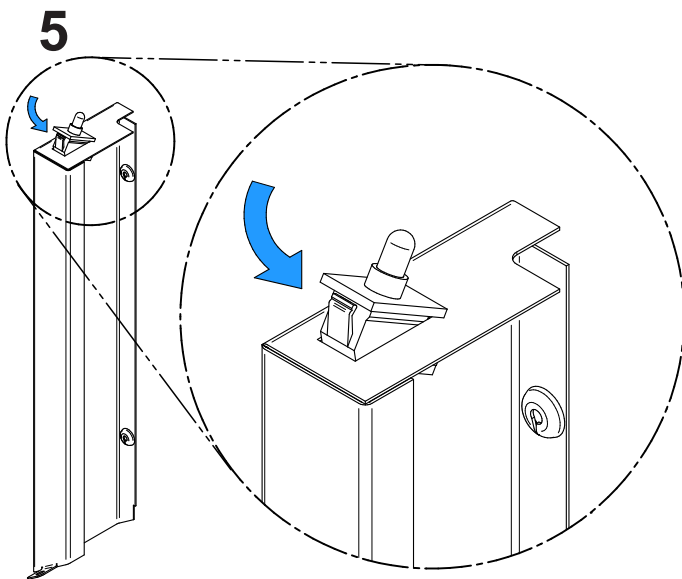
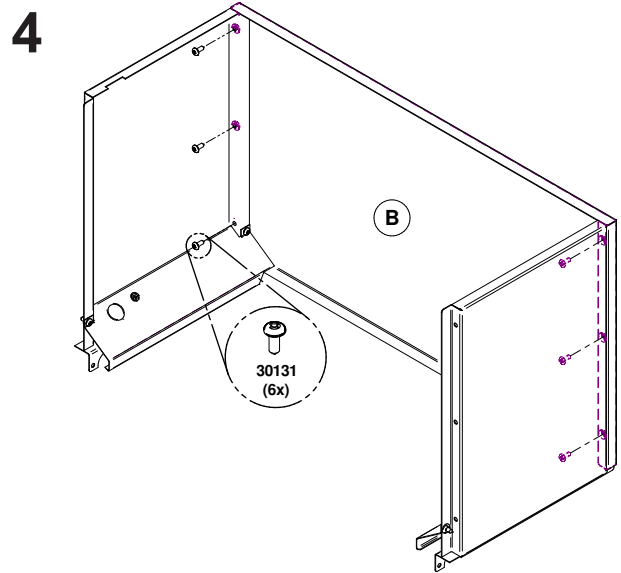
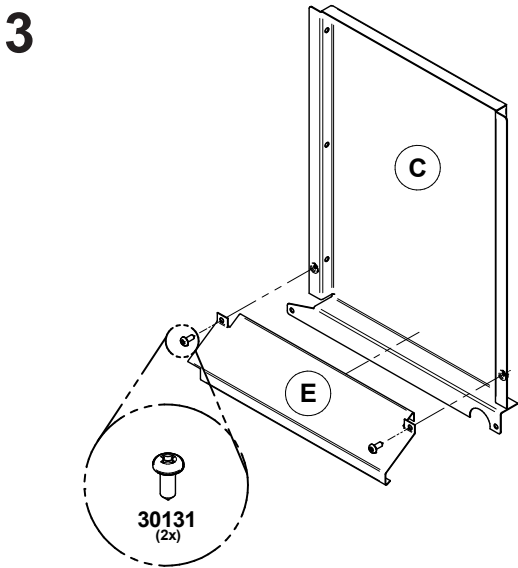
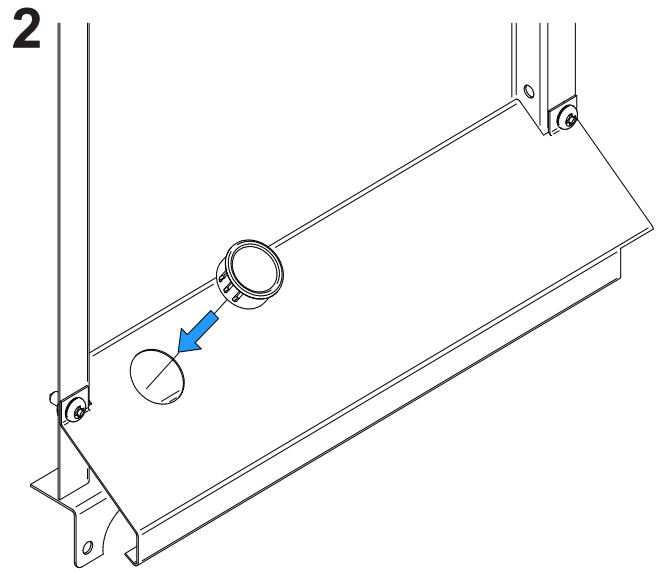
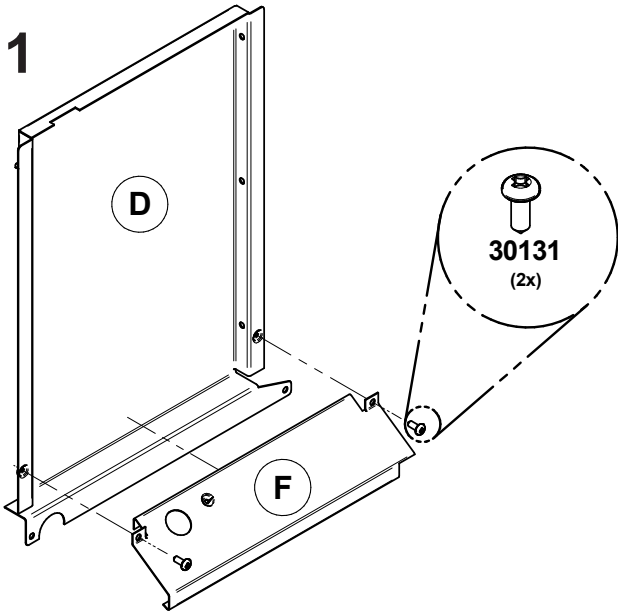


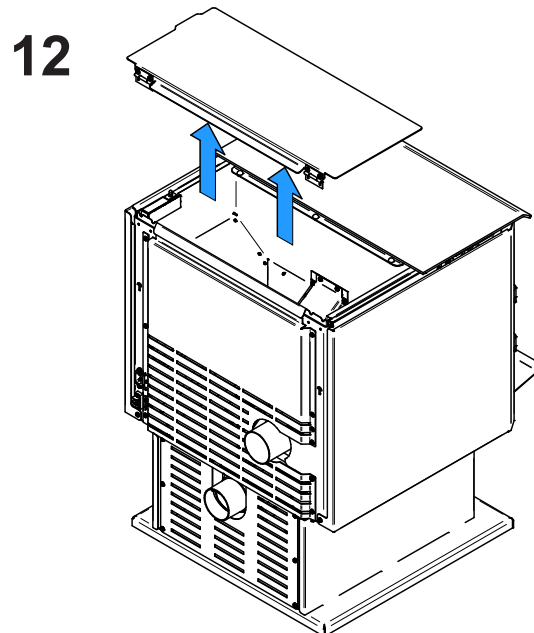
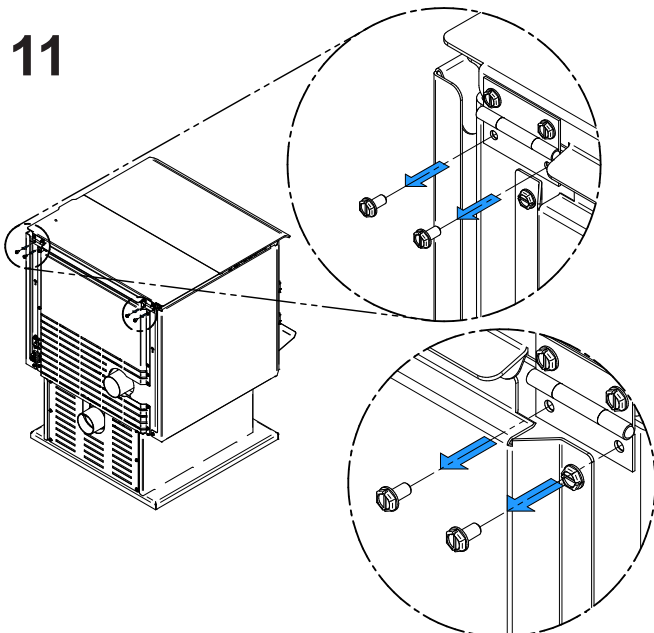
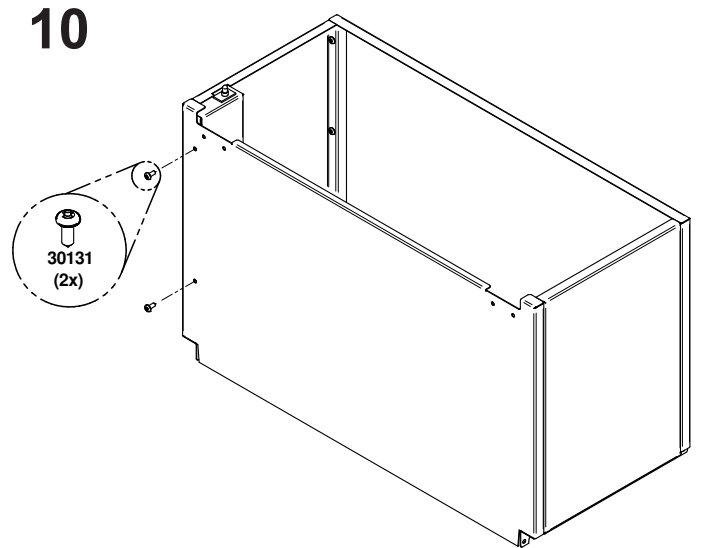
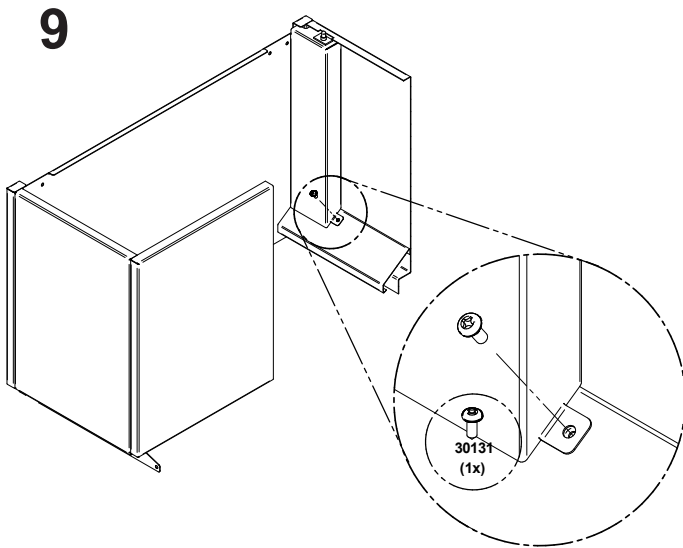
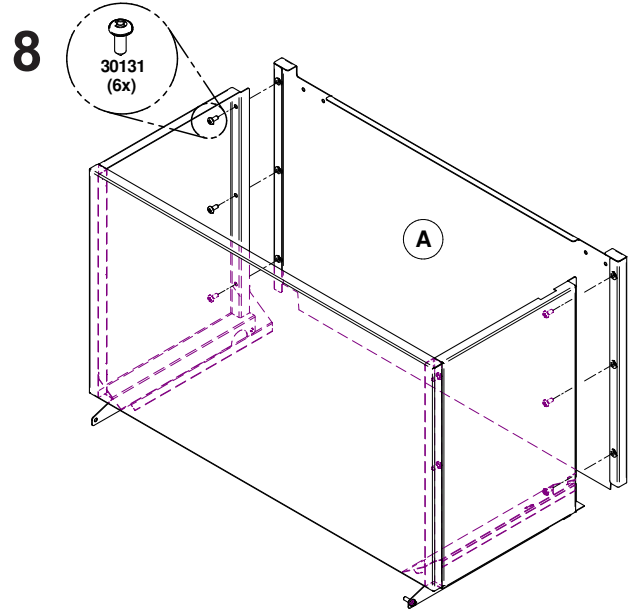
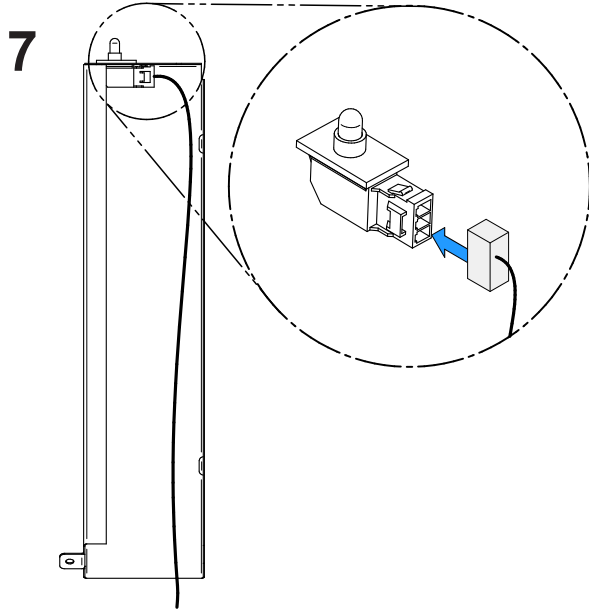
NECESSARY TOOLS

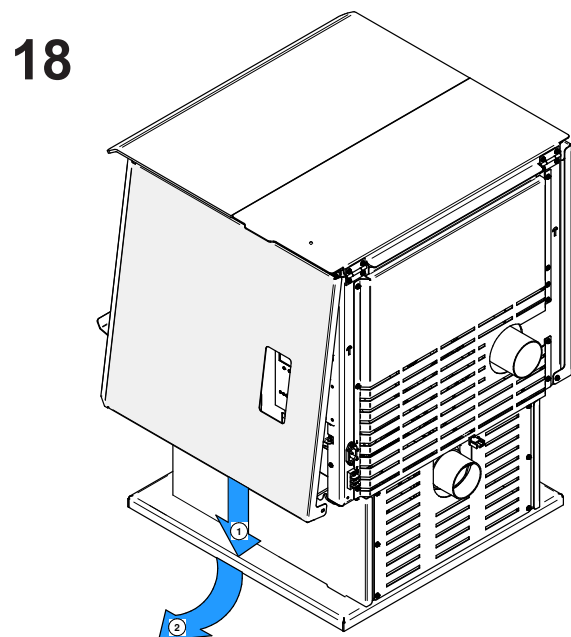
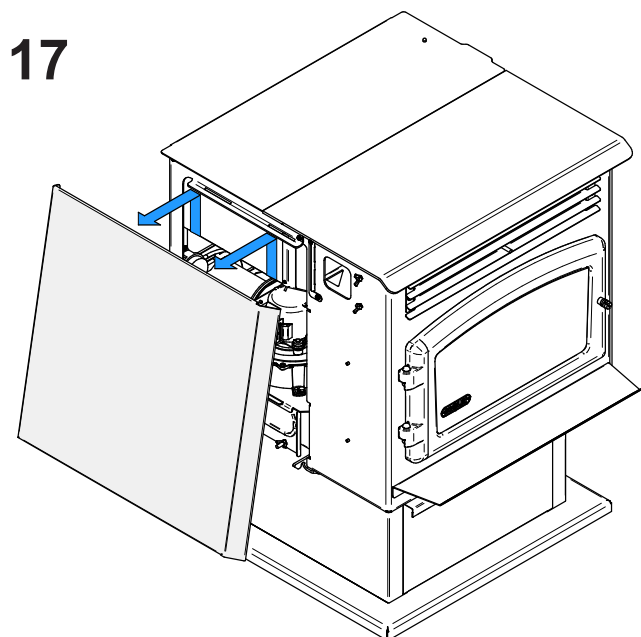
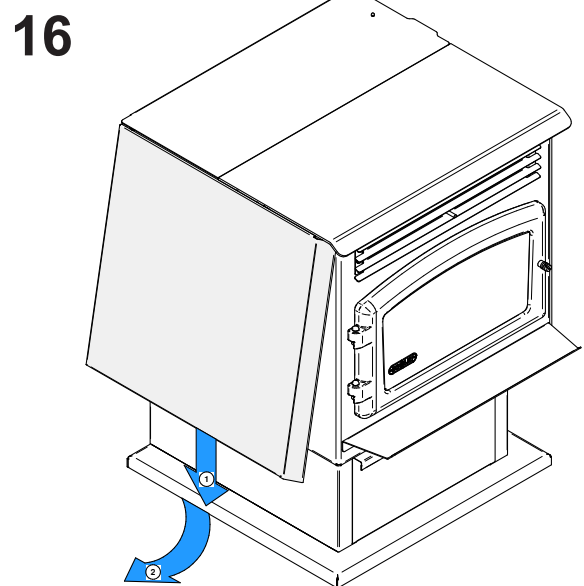
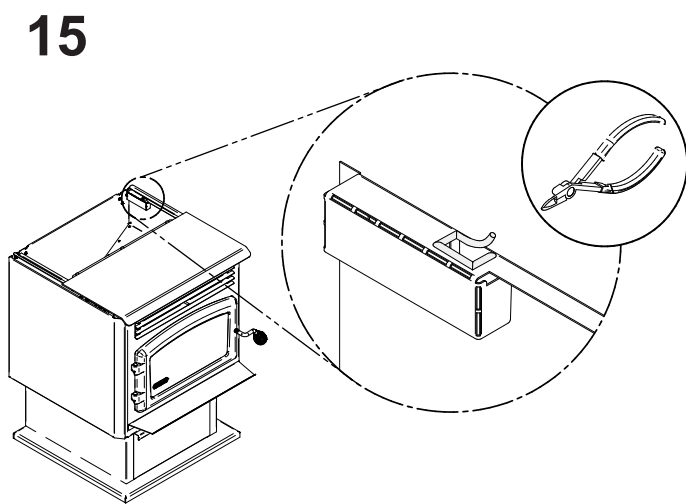
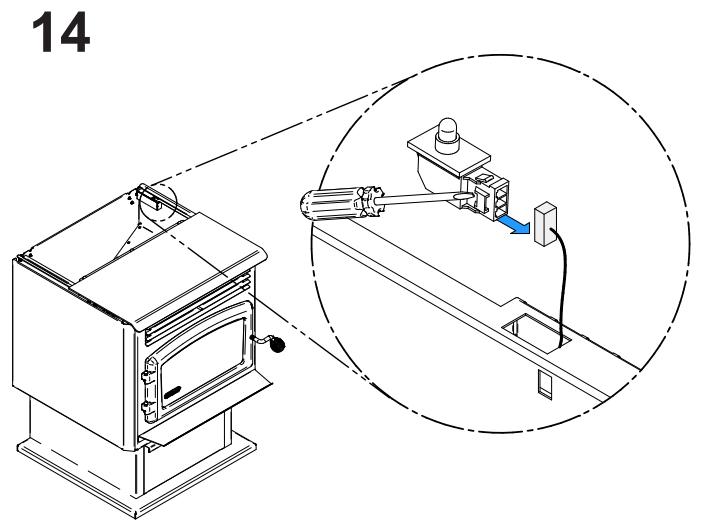
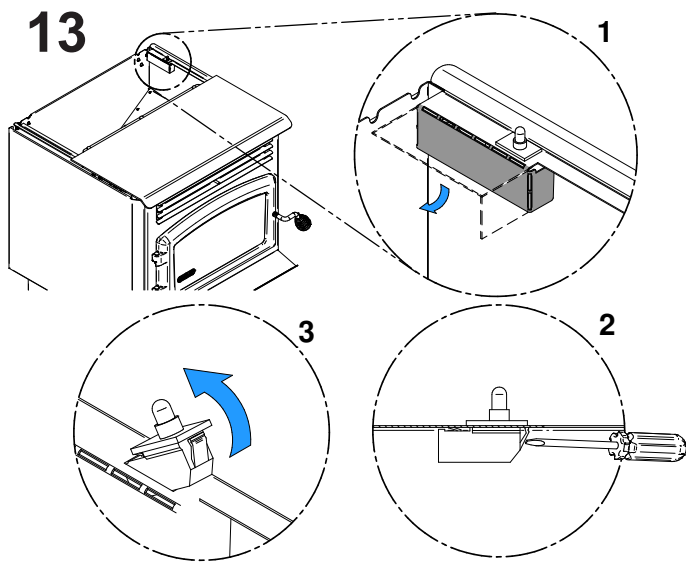


RECOMMENDATIONS

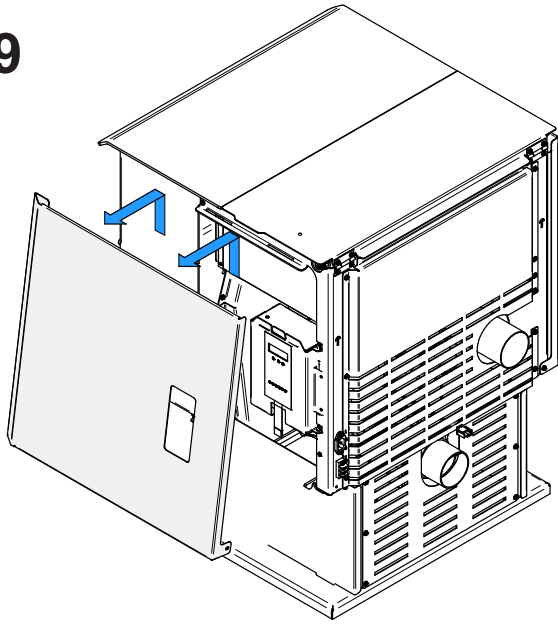




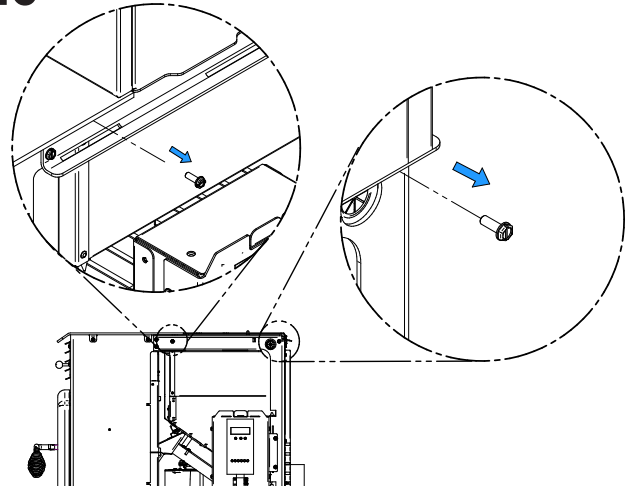




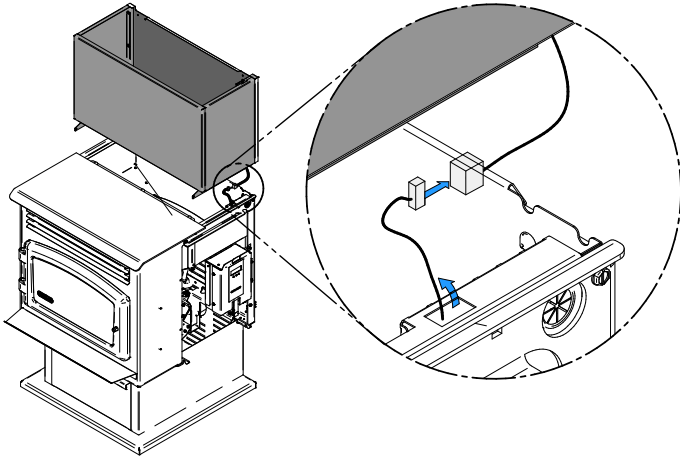
19



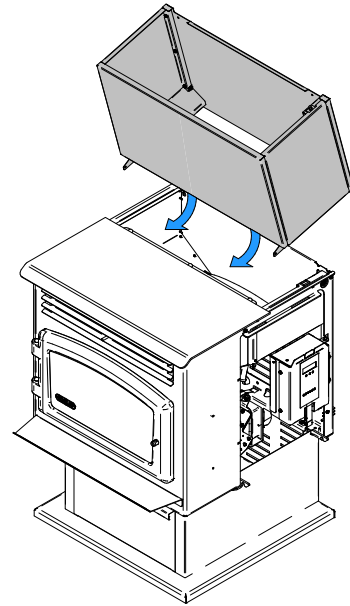
20



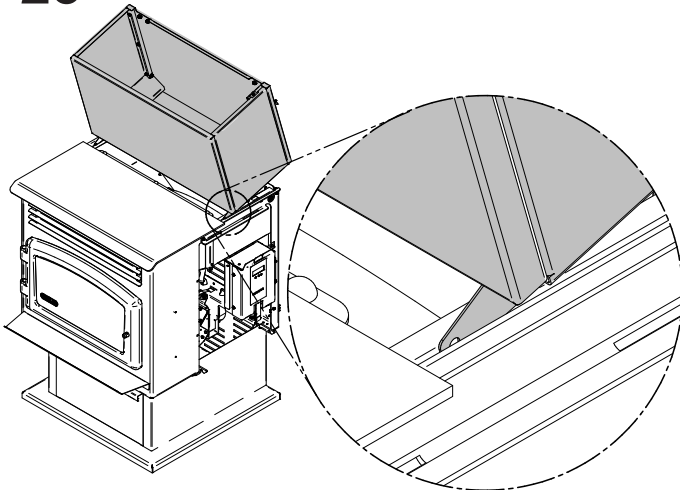
21



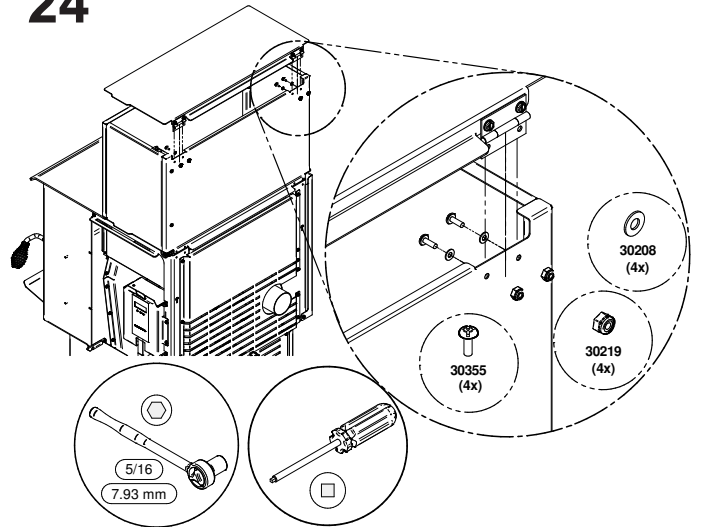
22



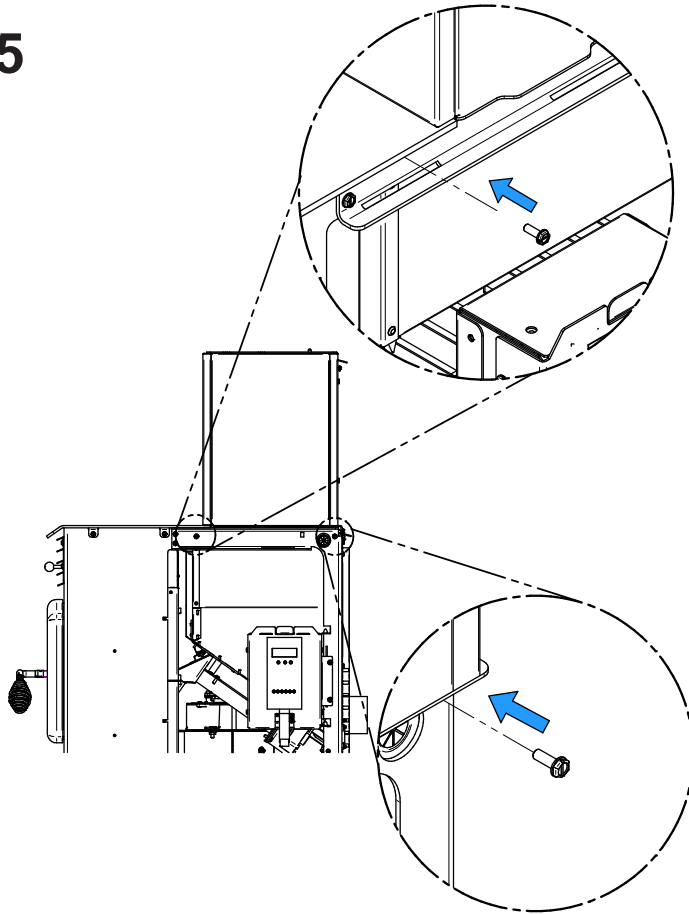
23



24



25



Stove Builder International Inc.

250, de Copenhague street, St-Augustin-de-Desmaures
(Québec) Canada, G3A 2H3

Customer Service : 418-908-8002

Email : tech@sbi-international.com

www.drolet.ca