



VENT-FREE FIREPLACE

Boulevard SL Linear VFSL30FP

Spec Sheet



INSTALLS

- Surface Mounted on any wall.
Requires decorative front and cabinet wrap accessory. Does not require non-combustible board
- Partially Recessed in 2 x 4 framed wall.
Includes non-combustible board (finished with tile or stone) Requires a decorative front accessory.
- Fully Recessed in 2 x 6 framed wall.
Includes non-combustible board and apply tile or stone over the face.

ACTUAL DIMENSIONS

30 1/4" W x 17 7/8" H x 5 1/2" D

INCLUDES

- Non-Combustible Board for Fully and Partially Recessed install)
- On/Off Wall Switch with 10 ft. extension wire
- Battery back-up with 10 ft. extension wire
- Fine Mesh Barrier Screen

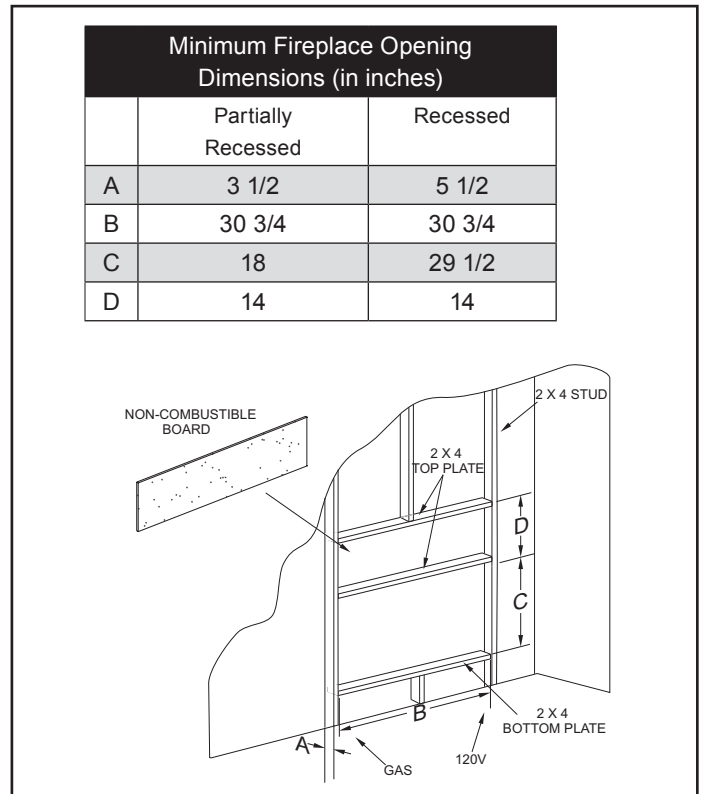
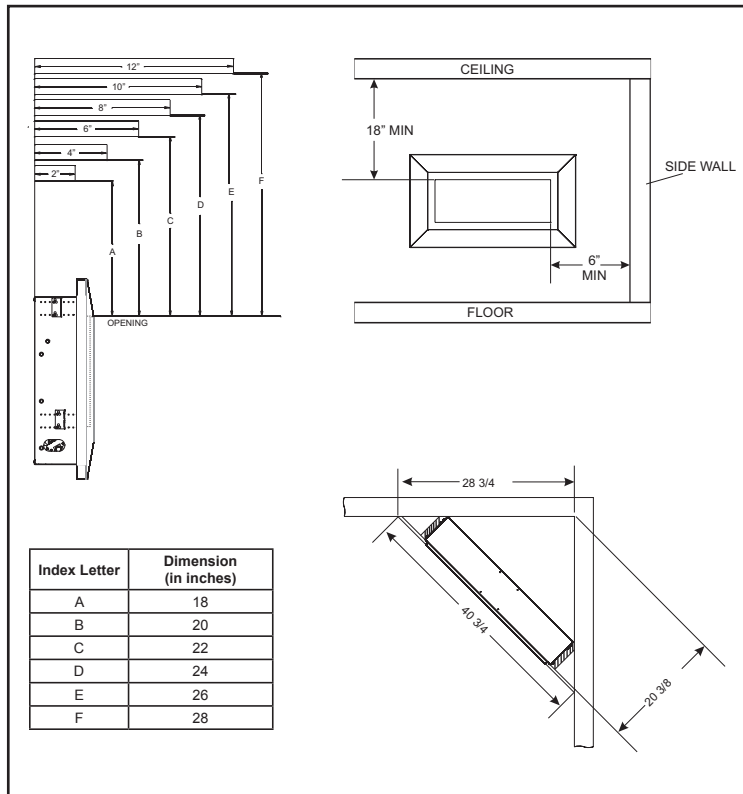
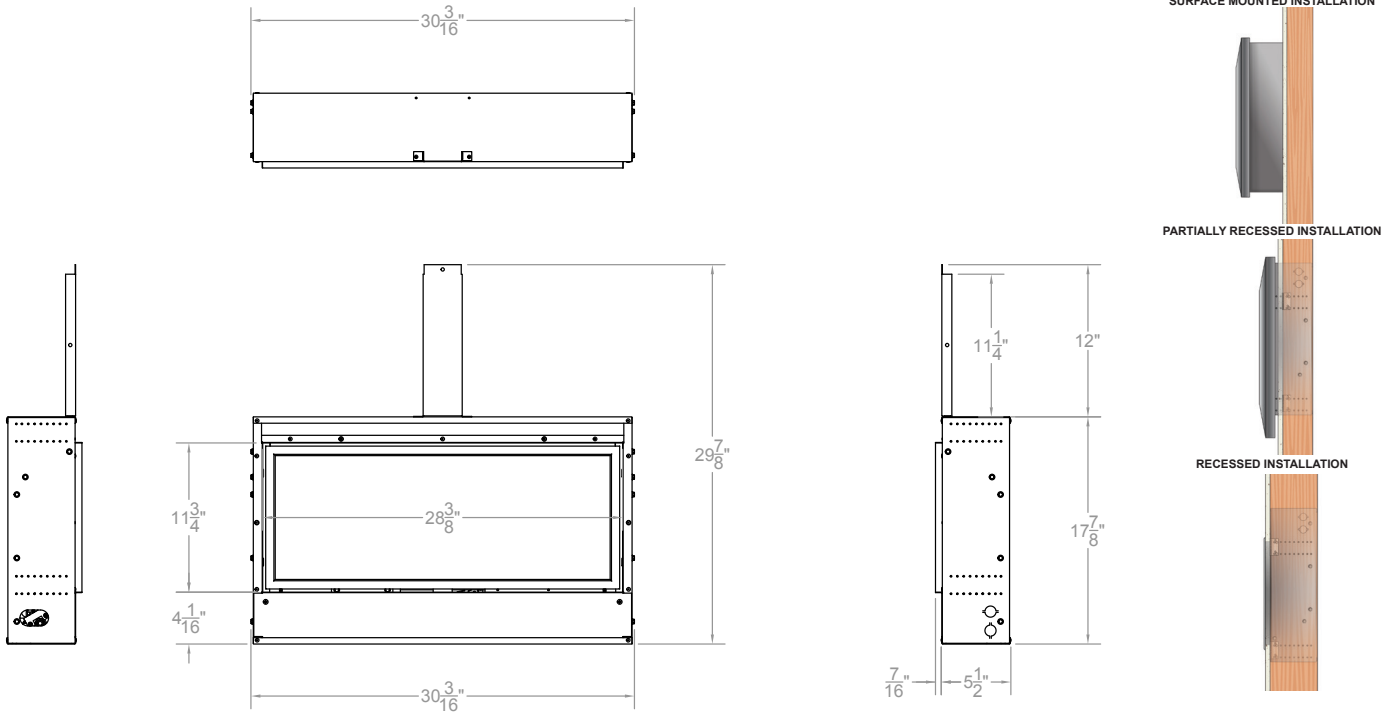
REQUIRES

- Cabinet Wrap and Decorative Front for Surface Mount install
- Decorative Front and non-combustible material (tile/stone) for Partially Recessed install
- Non-combustible material (tile/stone) for Fully Recessed install.
- Electrical box for Wall Switch
- Electrical box and cover for Battery Back-up

TECHNICAL INFORMATION

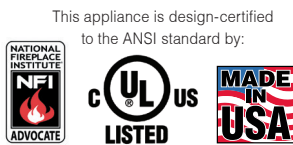
- Maximum heat output:
10,000 BTU (LP, Nat) (VFSL30FP7010)
12,000 BTU (LP, Nat) (VFSL30FP70)
- Weight: 50 lbs.
- Type of Gas: LP or Natural
- Ignition Systems: Intermittent Pilot
- Control Options
- Cabinet Wrap and Decorative Front
- Narrow Trim

VFSL30FP



Empire is committed to continuous product improvement; specifications are subject to change without notice. Dimensions in this brochure are approximate; read and follow the framing dimensions in the owners manual supplied with your Empire product. Flame size, shape, and color will vary from photos. Our mantels feature natural veneers and hand-rubbed finishes – wood grain and color will vary. Adjust light levels and use "natural light" incandescent bulbs to enhance the dramatic look for your wooden mantel.

Member of the following industry associations:



SINCE 1932
Empire Comfort Systems Inc.
918 Freeburg Ave.
Belleville, IL 62220-2623
info@empirecomfort.com
01/18

The Empire Comfort Systems and White Mountain Hearth names and logos are registered U.S. trademarks.