

# DECORATIVE BEVEL FRAME INSTALLATION INSTRUCTIONS

**KIT NUMBERS - DF362L(NB,BZT,BLX)**

**FOR USE ON MODELS: DVLL36BP SERIES FIREPLACE ONLY**

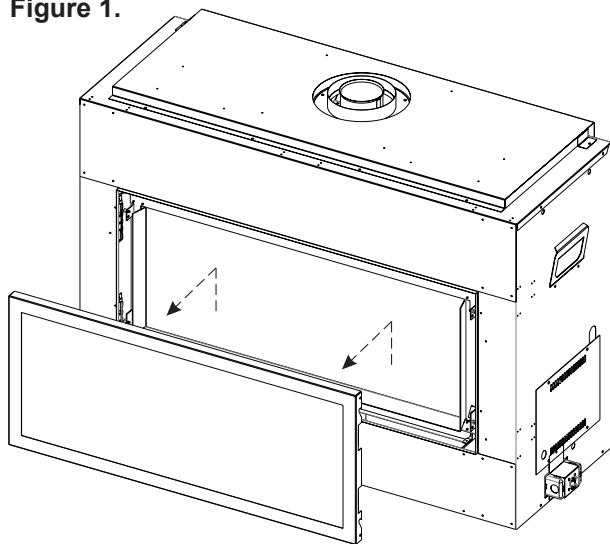
**INSTRUCTIONS MUST BE LEFT WITH THE OWNER FOR FUTURE REFERENCE AFTER INSTALLATION.**

## CLEANING

With the unit turned off and cool to the touch, use a 50/50 solution of vinegar and water and a clean soft cloth to remove dirt and fingerprints. Clean frame before and after start-up and again anytime oil or fingerprints are present. When heated, oil from fingerprints or left over from manufacturing can permanently discolor the plating.

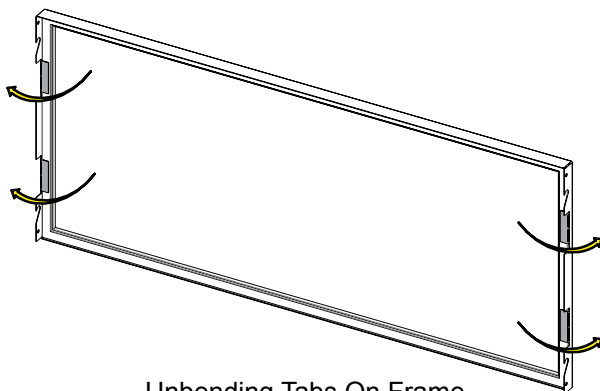
## INSTALLATION

1. With the unit turned off and cool to the touch, remove barrier screen by pulling up and away from unit. See **Figure 1**.

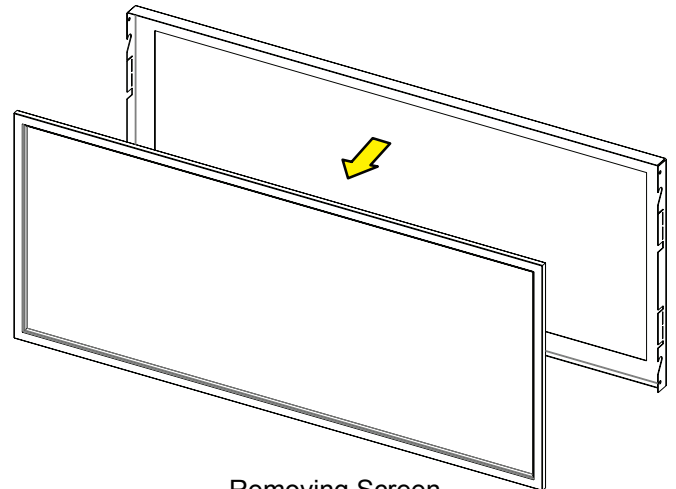


Removing Screen Frame  
**Figure 1**

2. Bend 4 hand bend tabs and remove barrier screen from frame. See **Figures 2a and 2b**.

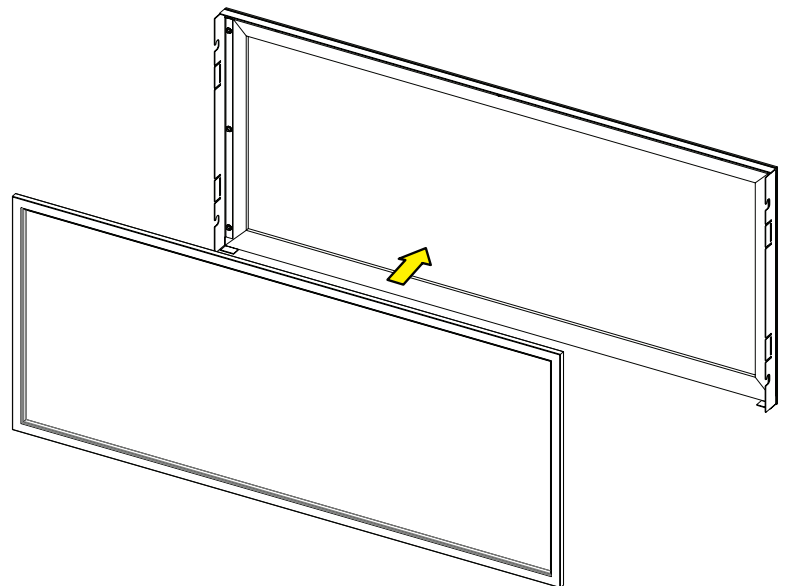


Unbending Tabs On Frame  
**Figure 2a**

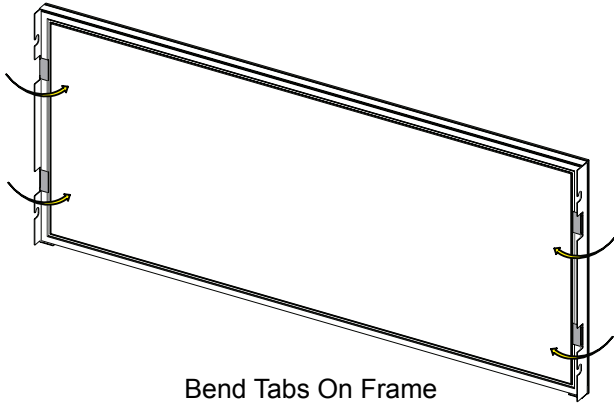


Removing Screen  
**Figure 2b**

3. Place screen into Bevel Decorative Frame with screen side closest to Bevel Decorative Frame. Bend the tabs against the screen to hold in place. See **Figures 3a and 3b**.



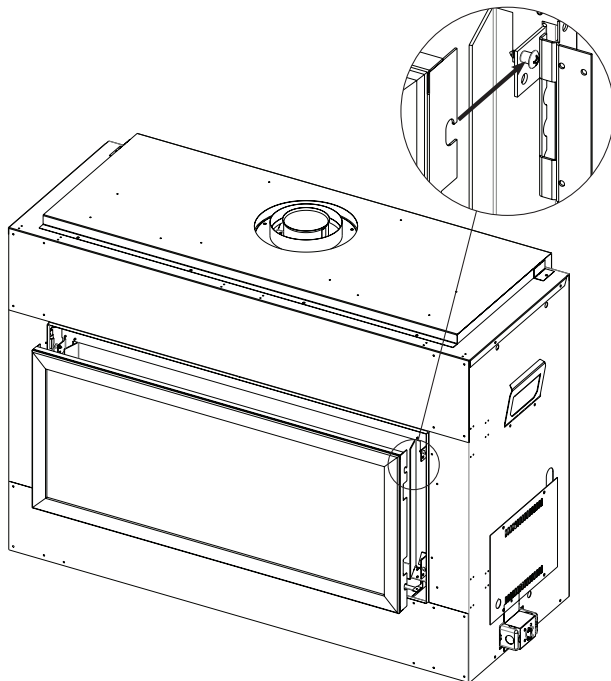
Install Screen  
**Figure 3a**



Bend Tabs On Frame

**Figure 3b**

4. Install the Bevel Decorative Frame assembly onto the glass frame on the four screws. **See Figure 4.**



Installing Deco Frame

**Figure 4**



**Empire Comfort Systems Inc.  
Belleville, IL**

If you have a general question  
about our products, please e-mail  
us at [info@empirecomfort.com](mailto:info@empirecomfort.com).

If you have a service or repair  
question, please contact your dealer.

SINCE 1932

[www.empirecomfort.com](http://www.empirecomfort.com)