

**DECORATIVE FIREPLACE FRAME:**

**DF362CNB-1 & DFF36FPD-1**  
FOR USE ON DVCT36 SERIES FIREPLACES

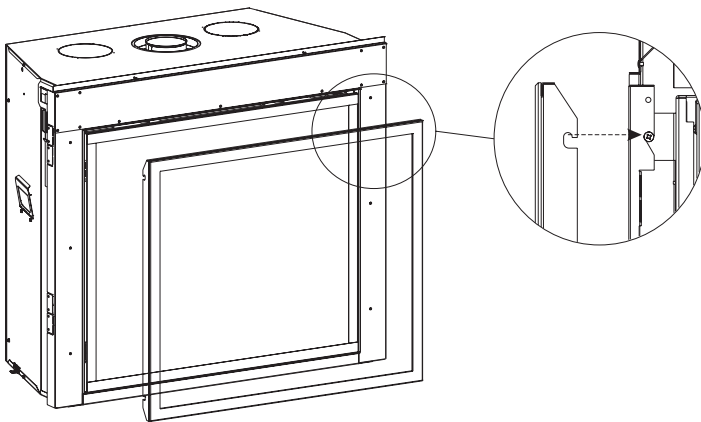
**DF402NB-1 & DFF40FPD-1**  
FOR USE ON DVCT40 SERIES FIREPLACES

**Cleaning**

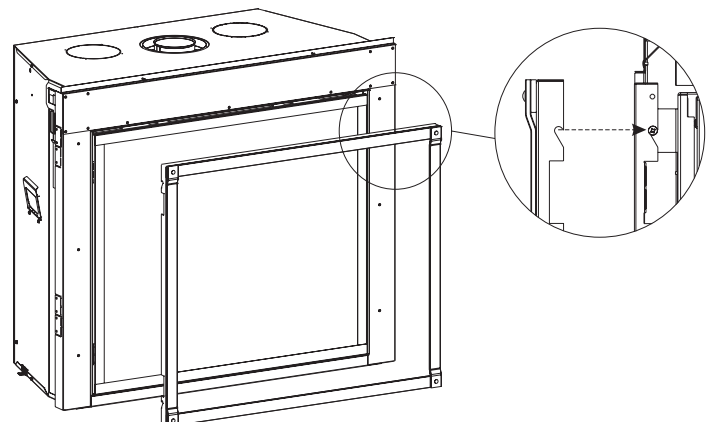
With the unit turned off and cool to the touch, use a 50/50 solution of vinegar and water and a clean soft cloth to remove dirt and fingerprints. Clean doors and/or frame before and after start-up and again anytime oil or fingerprints are present. When heated, oil from fingerprints or left over from manufacturing can permanently discolor the nickel plating on the beveled frame.

**Installation**

Slide the decorative front onto the glass frame over the barrier screen so the notches hang on the four screws.



**DF402NB**  
**Beveled Frame - Nickel Plated**



**DFF40FPD**  
**Forged Iron Frame**