

INSTALLATION INSTRUCTIONS

DVCT50 LINER KIT

CERAMIC FIBER LINER	
Model 50	Description
DVP50PFB	Fired Brick

LEAVE INSTRUCTIONS WITH THE HOMEOWNER.

CARTON CONTENTS	
Description	Quantity Supplied
LINER FRONT - LEFT	1
LINER FRONT - RIGHT	1
LINER SIDE - LEFT	1
LINER SIDE - RIGHT	1
LINER REAR - BOTTOM	1
LINER REAR - TOP	1
LINER TOP - CENTER	1
LINER TOP - LEFT	1
LINER TOP - RIGHT	1
BRACKET LINER	1
#10 X 1/2 SCREW	4

Tools needed: Phillips screw driver

Installation Of Front Liners

1. Remove barrier screen and glass door.
(See the owner's manual for instructions)
2. Place the RIGHT and LEFT FRONT LINER as (Shown In Figure 1).

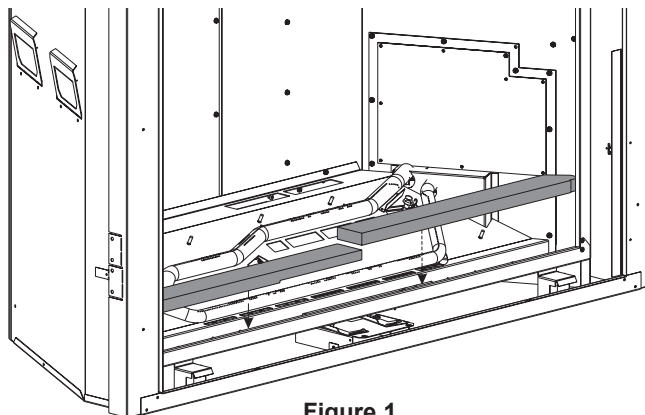


Figure 1

NOTICE: Video of liner installation available on our website at:
www.empirecomfort.com.

Installation of Liner

1. Place LINER REAR - BOTTOM on the back of the firebox and hold with one hand. (See Figure 2.)

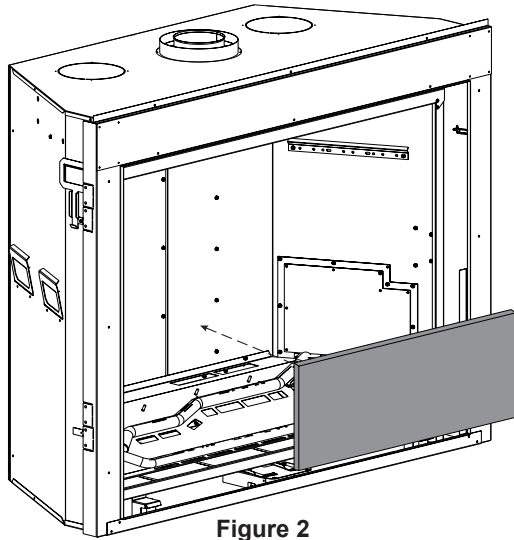


Figure 2

2. Place LINER SIDE - RIGHT against right firebox wall and LINER REAR - BOTTOM and push back to hold into place. (See Figure 3.)

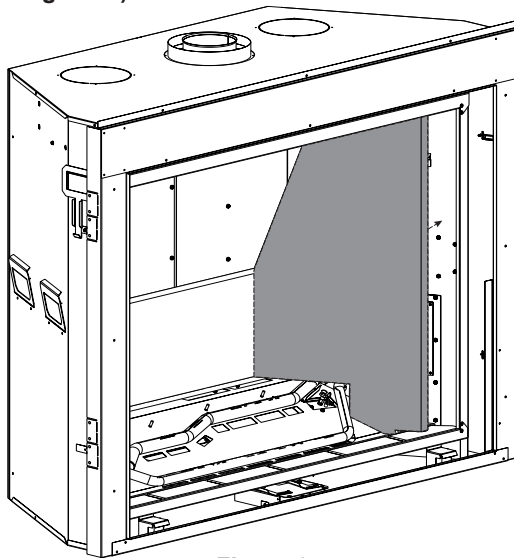


Figure 3

3. Place the LINER REAR - TOP on top of LINER REAR - BOTTOM and rest against right side of FIREBOX and LINER SIDE - RIGHT. (See Figure 4.)

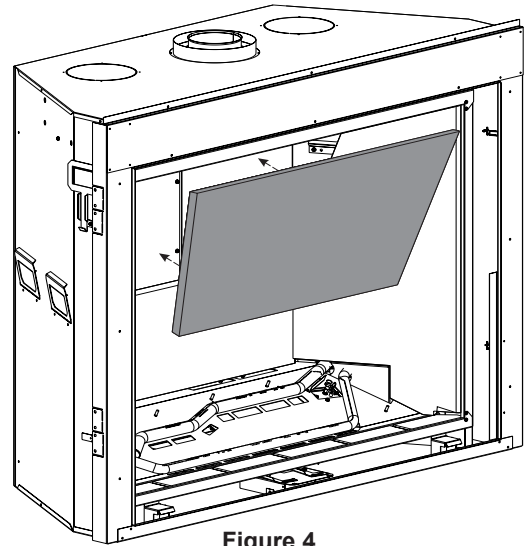


Figure 4

4. Place LINER SIDE - LEFT against left firebox wall and LINER REAR - BOTTOM and push back to hold into place.
5. Secure the LINER BRACKET with (4) screws, then place LINER TOP PIECES so they rest on the LINER REAR - TOP. (See Figure 5.)

NOTICE: Ensure (painted side) faces down, (black side) should face up.

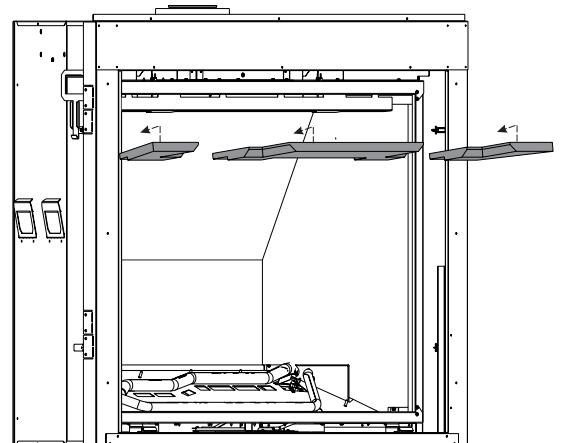
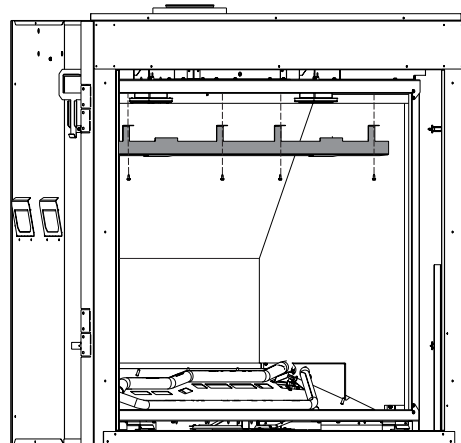
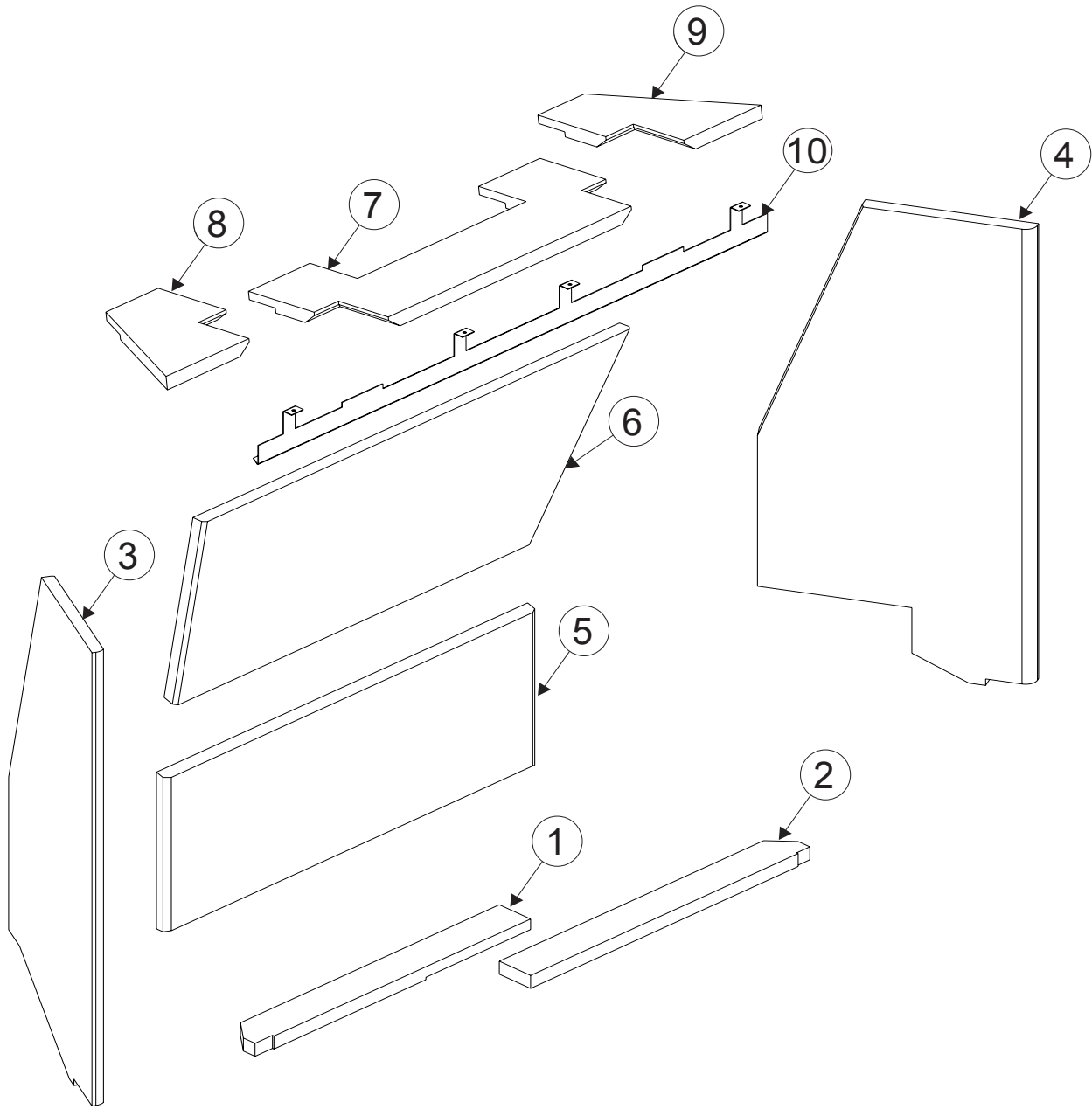


Figure 5

CERAMIC FIBER LINER KIT EXPLODED VIEW AND PARTS LIST



INDEX NUMBER	PART NUMBERS	DESCRIPTION	QUANTITY SUPPLIED
	DVP50PFB		
1	39971	LINER FRONT - LEFT	1
2	39972	LINER FRONT - RIGHT	1
3	39973	LINER SIDE - LEFT	1
4	39974	LINER SIDE - RIGHT	1
5	39975	LINER REAR - BOTTOM	1
6	39976	LINER REAR - TOP	1
7	39977	LINER TOP - CENTER	1
8	39978	LINER TOP - LEFT	1
9	39979	LINER TOP - RIGHT	1
10	38271	BRACKET LINER	1



**Empire Comfort Systems Inc.
Belleville, IL**

If you have a general question
about our products, please e-mail
us at info@empirecomfort.com.

If you have a service or repair
question, please contact your dealer.

SINCE 1932

www.empirecomfort.com