

# LK6-2 LIGHT KIT INSTALLATION INSTRUCTIONS



For Use on Models  
DVCP, DVCC, DVCX

## INSTRUCTIONS MUST BE LEFT WITH THE OWNER FOR FUTURE REFERENCE AFTER INSTALLATION

### Tools Needed:

Phillips Screwdriver

### Carton Contents:

Light Assembly  
4 - #10 x 1/2" Screws  
Bezel  
Glass (2)  
Gasket  
Light Bulb

### Installation

1. Remove glass door and control panel. For more information, refer to instructions that came with your appliance.
2. Remove the four screws securing the metal plate and gasket to the top of the firebox and discard. **See Figure 1.**

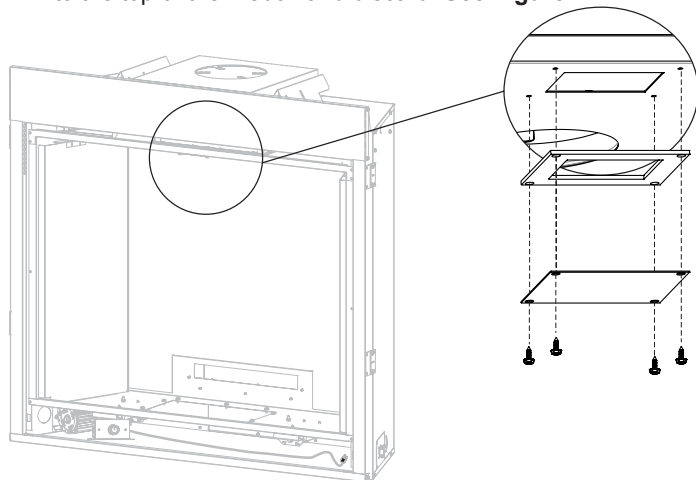


Figure 1

3. Disconnect the two leads from the light assembly to the control assembly. See exploded view on next page.
4. While wearing gloves, attach the light bulb to the light socket.
5. Feed the light kit wiring through the cut-out and down the right side of the unit. **See Figure 2.**

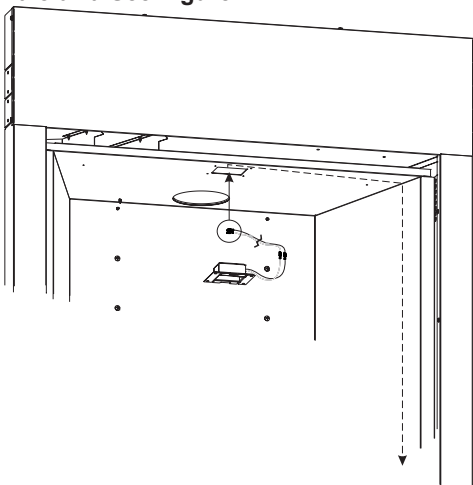


Figure 2

6. Decide which glass you would like to install. Clear glass will produce bright light and the orange glass will produce a dimmer orange light. Secure the shield, bezel, glass, gasket and light assembly to the firebox with four screws. **See Figure 3.**

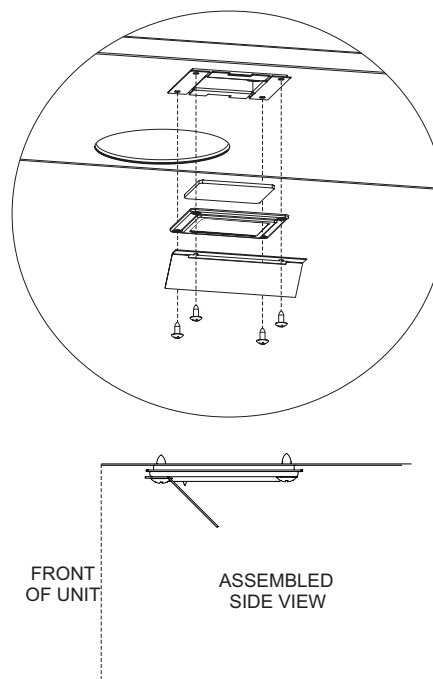
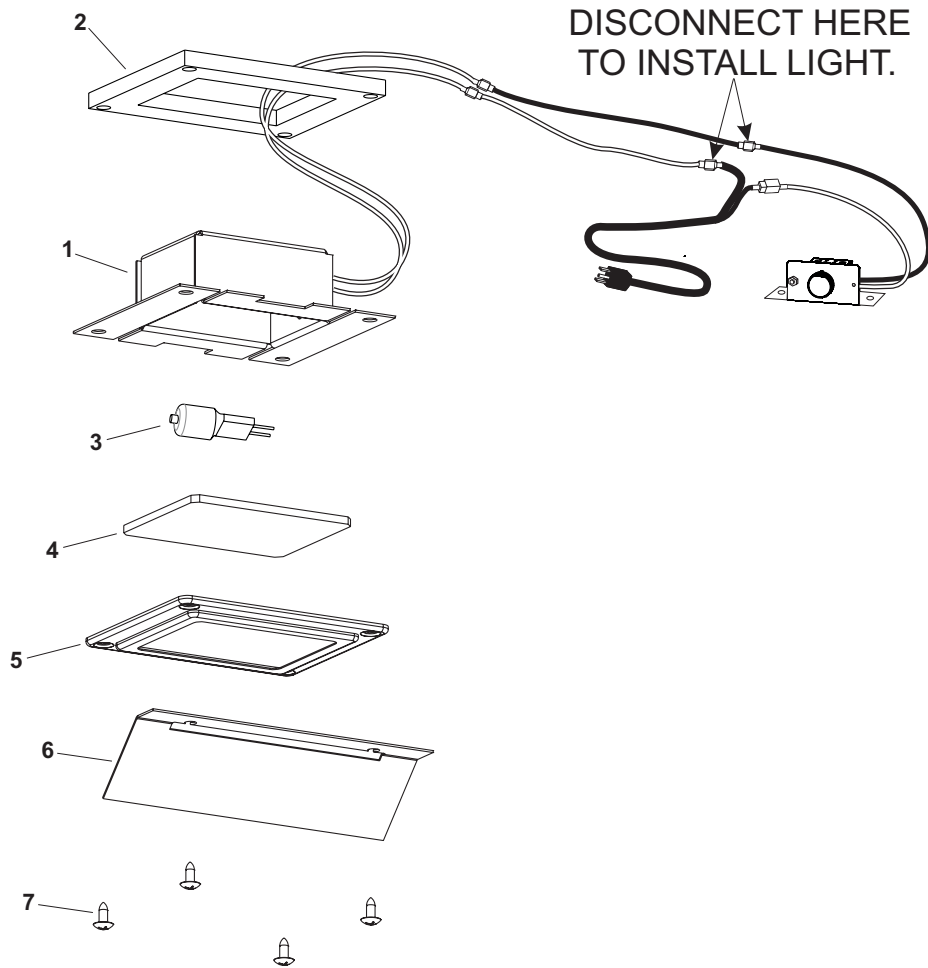


Figure 3

7. Reconnect the wires disconnected in step two and connect the power source to the wall outlet.
8. Reinstall glass door and control panel. For more information, refer to instructions that came with your appliance.



LIGHT KIT PARTS LIST			
INDEX NUMBER	PART NUMBER	DESCRIPTION	QUANTITY SUPPLIED
1	32792	ACCENT LIGHT ASSEMBLY	1
2	R11751	GASKET, ACCENT LAMP	1
3	R10928	LIGHT BULB	1
4	R11752	GLASS, ACCENT LAMP - ORANGE	1
	R9341	GLASS, ACCENT LAMP - CLEAR	1
5	R9342	BEZEL, ACCENT LAMP	1
6	35407	SHIELD, LIGHT	1
7	B100131	SCREW, 10 X 1/2 PH TYPE AB	4