

## LS72DC-1 LOGS AND ROCKS SET

### INSTALLER:

Leave this manual with the appliance.

### CONSUMER:

Retain this manual for future reference.

### ⚠ WARNING

#### FIRE OR EXPLOSION HAZARD

If the information in this manual is not followed exactly, a fire or explosion may result causing property damage, personal injury or loss of life.

- Do not store or use gasoline or other flammable vapors and liquids in the vicinity of this or any other appliance.
- **WHAT TO DO IF YOU SMELL GAS**
  - Do not try to light any appliance.
  - Do not touch any electrical switch; do not use any phone in your building.
  - Leave the building immediately.
  - Immediately call your gas supplier from a neighbor's phone. Follow the gas supplier's instructions.
  - If you cannot reach your gas supplier, call the fire department.
- Installation and service must be performed by a qualified installer, service agency or the gas supplier.

## LOG SET FOR USE WITH DIRECT VENT FIREPLACE MODELS:

DVLL72BP90(N,P)-1

GAS-FIRED



### ⚠ WARNING

If not installed, operated and maintained in accordance with the manufacturer's instructions, this product could expose you to substances in fuel or from fuel combustion which can cause death or serious illness.

This decorative media set includes an unusual assortment of logs and rocks in varying textures and colors to complement your linear fireplace - plus stainless steel coils to add a unique flair.

For ease of installation, unpack all pieces and lay out so that any identifying letters are visible.

NATIONAL  
FIREPLACE  
INSTITUTE



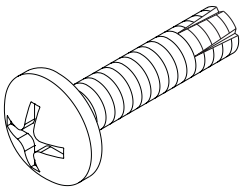
CERTIFIED  
[www.nficertified.org](http://www.nficertified.org)

We suggest that our gas hearth products be installed and serviced by professionals who are certified in the U.S. by the National Fireplace Institute® (NFI) as NFI Gas Specialists.

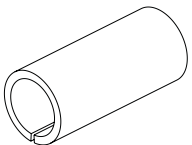
# TABLE OF CONTENTS

SECTION	PAGE
Important Installation Guidelines.....	3
General Information.....	3
Log Identification .....	4 - 5
Log Placement .....	6 - 19
Completing Installation.....	20
Master Parts Distributor List.....	21
How To Order Repair Parts .....	21
Fireplace Service History .....	22 - 23

## HARDWARE PACK



R12061 (QUANTITY 4)  
8-32 X 3/4" PH PN HD SCREW



R8234 (QUANTITY 4)  
1/4" OD X 9/16" SPACER

# IMPORTANT INSTALLATION GUIDELINES

## Proper Log Placement

Log placement is critical to proper burner performance. Logs must be correctly positioned. The photos in this manual show the proper pinned position for logs and rocks on this set. Owners need to be shown proper log placement and instructed not to move the logs. Logs and rocks must fit firmly onto the locating pins when positioned as shown in the photos. Misformed logs, or logs with sloppy pin holes must be replaced.

## Proper Placement of Crushed Glass Media

This fireplace is designed to use crushed glass media on the burner. The maximum amount of crushed glass media should not exceed 6 Sq. Ft. Spread out over the entire burner and burner screen. It is recommended that the crushed glass media be added after the log has been properly installed.

### CAUTION

**Do not place crushed glass around the pilot assembly. Crushed glass is only to be placed on the burner screen and burner cover.**

## Make Owners Aware of Proper Log Set Operation

Properly installed and properly maintained log sets should not deposit soot on the logs. If users see excessive soot appearing on a log, call for service. Do not continue to operate the fireplace.

# GENERAL INFORMATION

## Qualified Installing Agency

Installation and replacement of gas piping, gas utilization equipment or accessories and repair and servicing of equipment shall be performed only by a qualified agency. The term "qualified agency" means any individual, firm, corporation, or company that either in person or through a representative is engaged in and is responsible for (a) the installation, testing, or replacement of gas piping or (b) the connection, installation, testing, repair, or servicing of equipment; that is experienced in such work; that is familiar with all precautions required, and that has complied with all the requirements of the authority having jurisdiction.

The installation must conform with local codes or, in the absence of local codes, with the *National Fuel Gas Code, ANSI Z223.1/NFPA54*.  
\*Available from the American National Standards Institute, Inc. 11 West 42nd St., New York, N.Y. 10018.









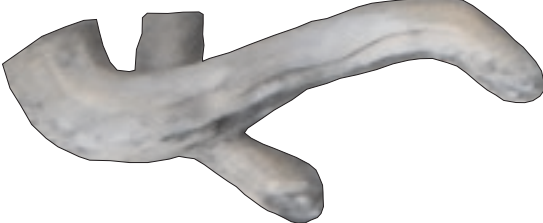



**Commonwealth of Massachusetts:** The installation must be made by a licensed plumber or gas fitter in the Commonwealth of Massachusetts.

Sellers of unvented propane or natural gas-fired supplemental room heaters shall provide to each purchaser a copy of 527 CMR 30 upon sale of the unit.

## Appliance Certification






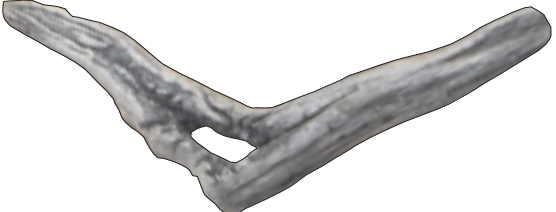




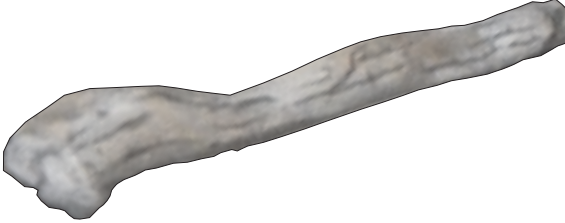

This logset is design certified in accordance with American National Standard/CSA Standard ANSI Z21.88/CSA 2.33 and by Underwriters Laboratories for use with a Direct Vent Gas Fireplace Heater and shall be installed according to these instructions.

# LOG IDENTIFICATION

PART NUMBER & DESCRIPTION	TOP VIEW	FRONT VIEW
R12490 Right Center Top (Log A)		
R12491 Left Center Front (Log B)		
R12492 Left Center Top (Log C)		
R12493 Right Center (Log D)		
R12494 Right Front (Log E)		
R12495 Left Rear Center (Log F)		



# LOG IDENTIFICATION

PART NUMBER & DESCRIPTION	TOP VIEW	FRONT VIEW
R12496 Left Rear (Log G)		
R12497 Right Rear Front (Log H)		
R12498 Front Center (Log I)		
R12499 Center Rear (Log J)		
R12500 Right Rear (Log K)		
R12501 Left Front (Log L)		

# LOG PLACEMENT

## Tools Needed:

- Protective Gloves
- Phillips Screw Driver or Power Drill with Phillips Drive

## All Logs

The positioning of the logs is critical to the safe and clean operation of this heater. Sooting and other problems may result if the logs are not properly and firmly positioned in the appliance.

Refer to Figure 1 for the following warning.

### ⚠ WARNING

Failure to position the parts in accordance with this diagram or failure to use only parts specifically approved with this appliance may result in property damage or personal injury.

Attention: Refer to Pages 4 and 5 Parts List and Parts View to order logs or rocks.

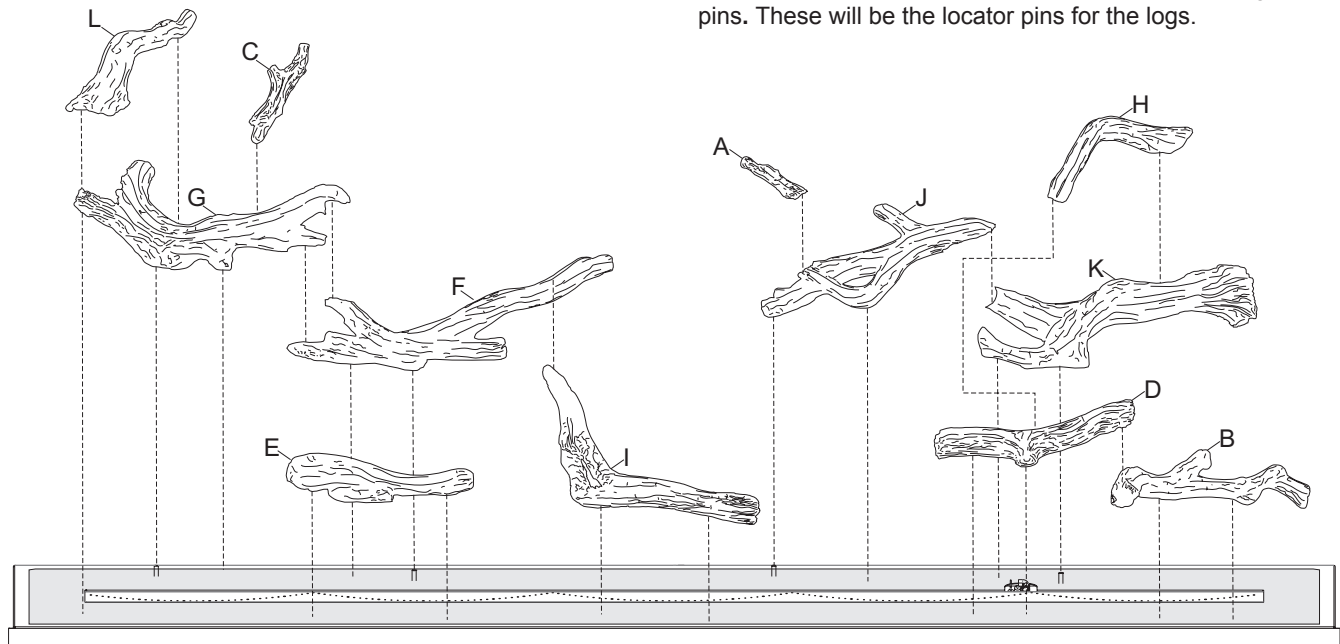
**NOTICE:** Once the installation is complete with the logs, rocks, and crushed glass media in place, operate the fireplace to verify flame appearance. If there are flames directly impinging a log, turn off fireplace, then remove the crushed glass media directly below where the flame impingement occurred. This should eliminate sooting on the log, and provide a more pleasing flame appearance.

## Installation of the Pins for Log and Rock Placement

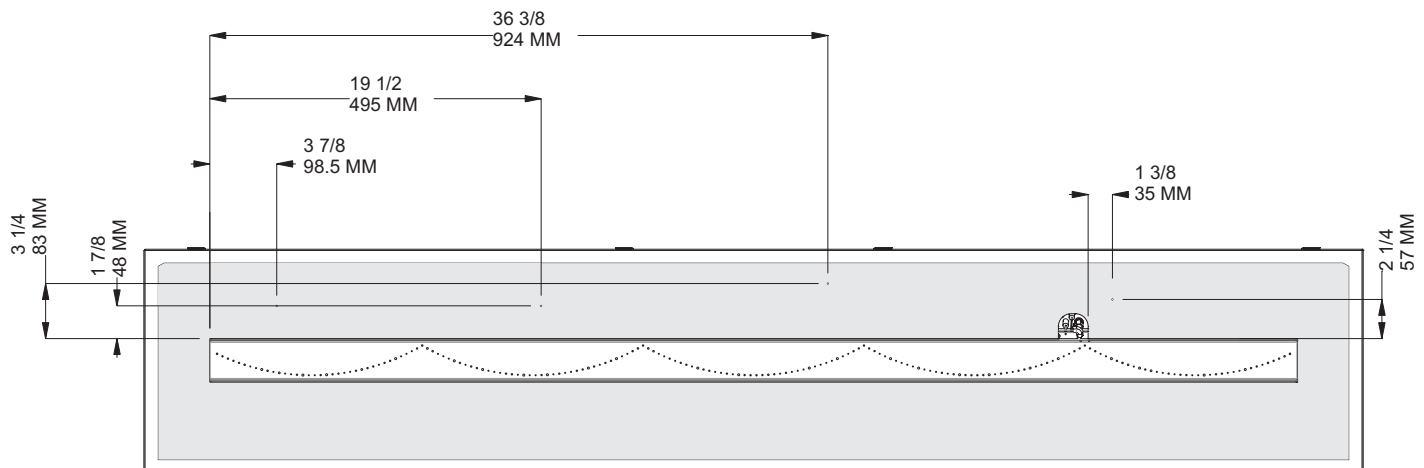
The LS72DC Log kit includes four 8-32 x 3/4" long self-threading screws, and four 9/16" long spacers that will need to be installed prior to the log placement.

**NOTICE:** It is highly recommended that the fireplace liner be installed prior to installing the log screws and spacers so interference with the locator pins is avoided.

Use a standard Phillips screwdriver to install the screws through a spacer at each of the four pilot hole locations provided in the burner screen cover. Figure 2 gives reference dimensions for the pilot hole locations to use for installation of the log placement pins. These will be the locator pins for the logs.



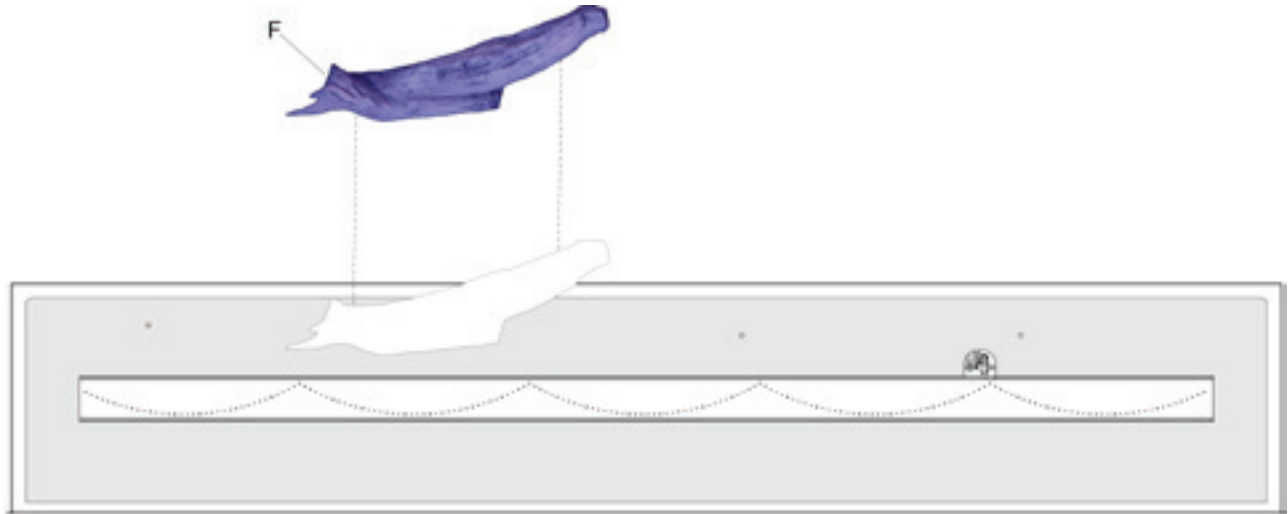
LOG PLACEMENT - Figure 1



PIN LOCATIONS - Figure 2

# LOG PLACEMENT

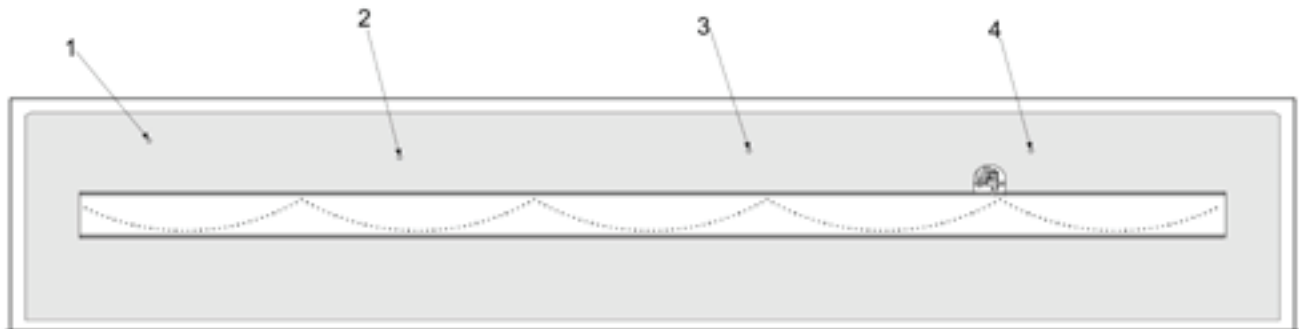
1. Place Log "F" onto Pin # 2.



TOP VIEW



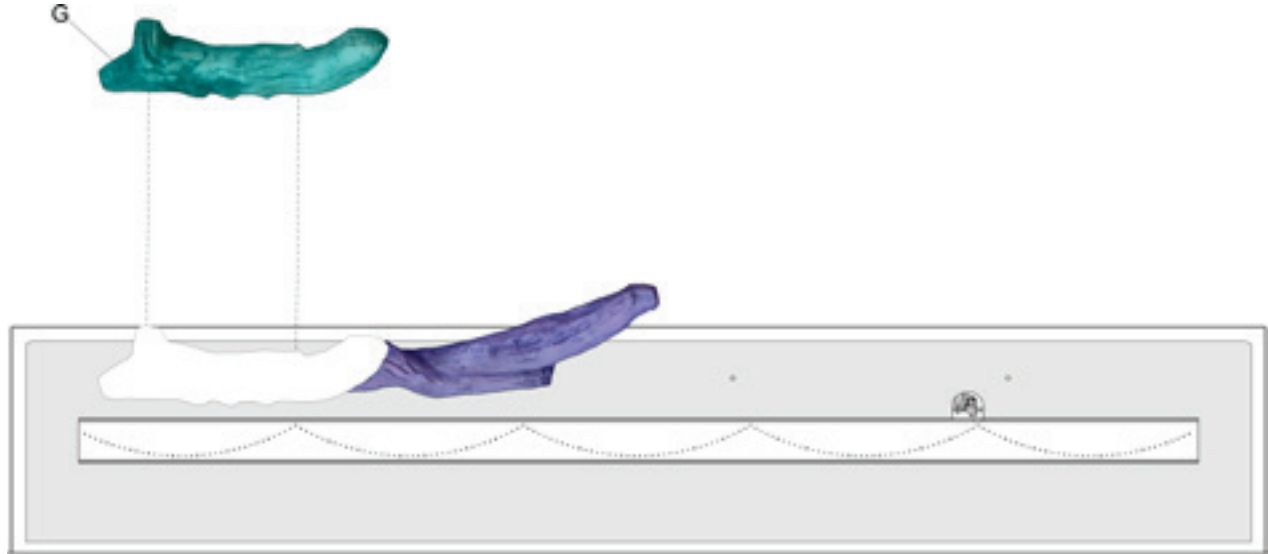
FRONT VIEW



PIN LOCATION

# LOG PLACEMENT

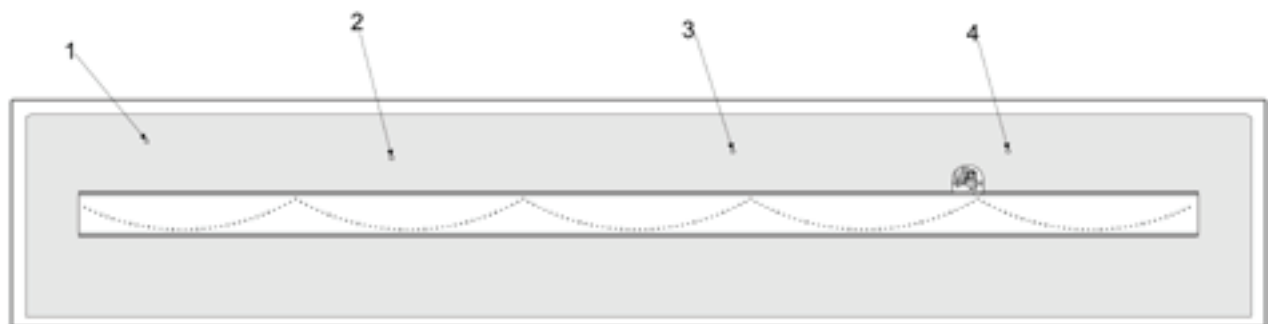
- Place Log "G" onto Pin # 1 and interlock with Log "F".



TOP VIEW



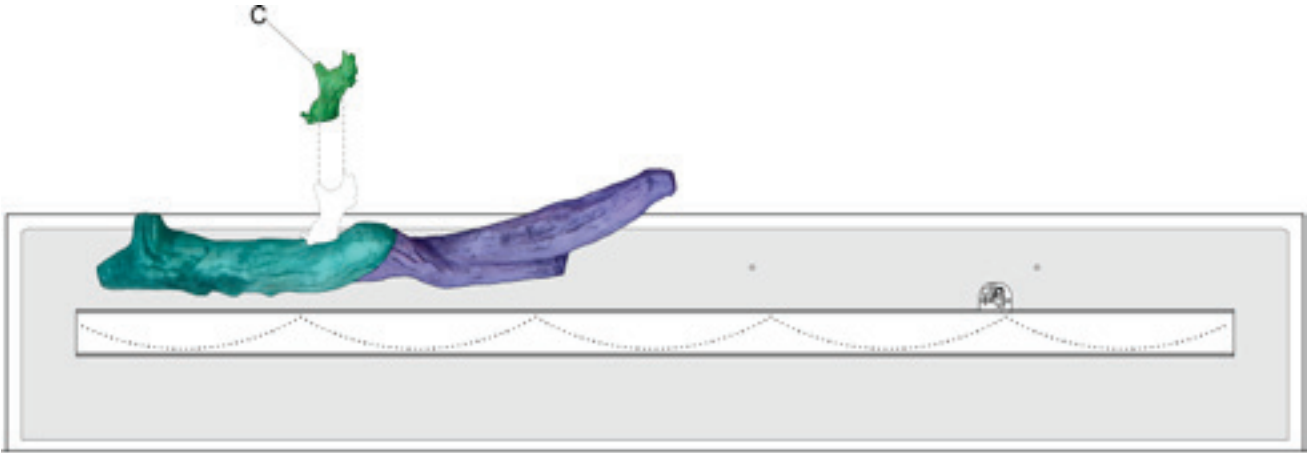
FRONT VIEW



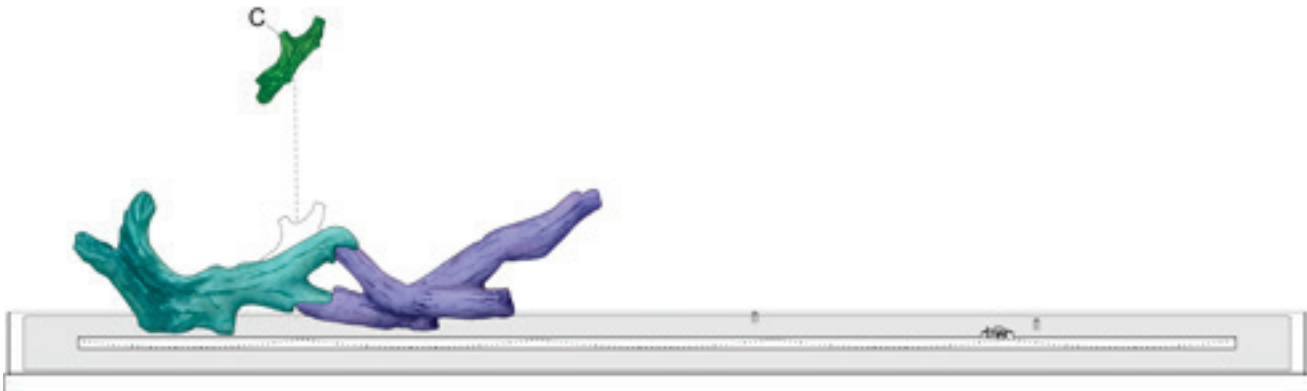
PIN LOCATION

# LOG PLACEMENT

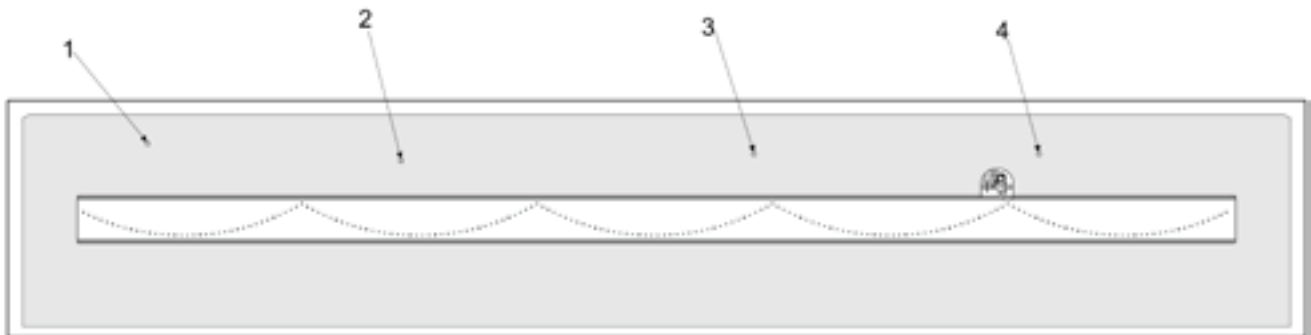
3. Insert small Log "C" into the hole in the back side of Log "G".



TOP VIEW



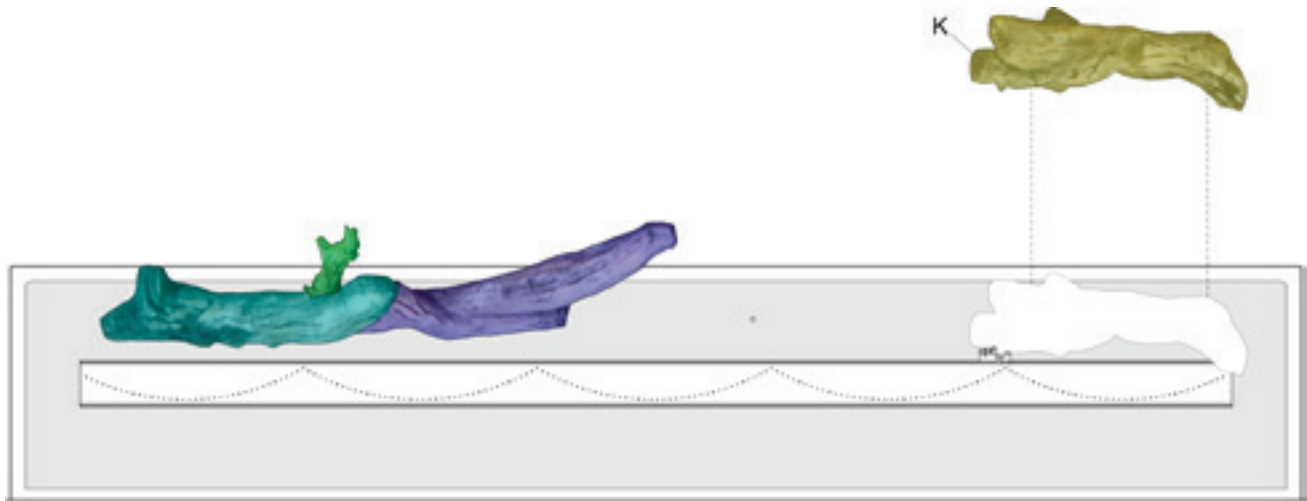
FRONT VIEW



PIN LOCATION

# LOG PLACEMENT

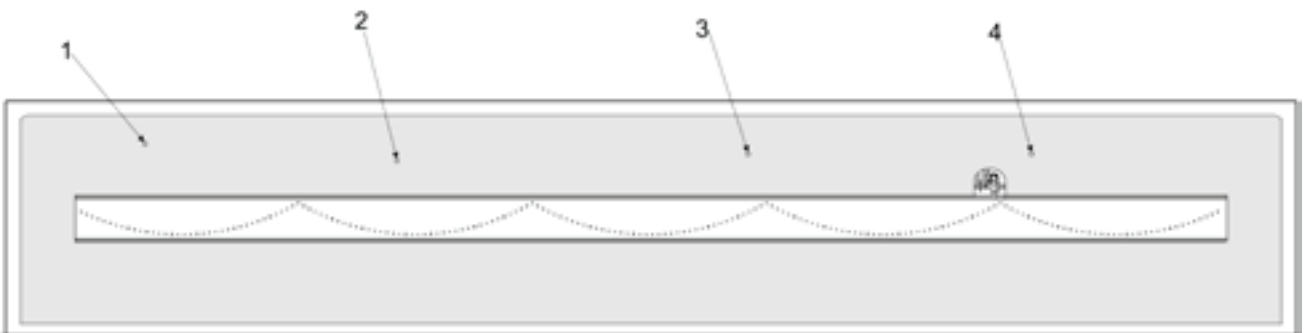
4. Place Log "K" onto Pin # 4.



TOP VIEW



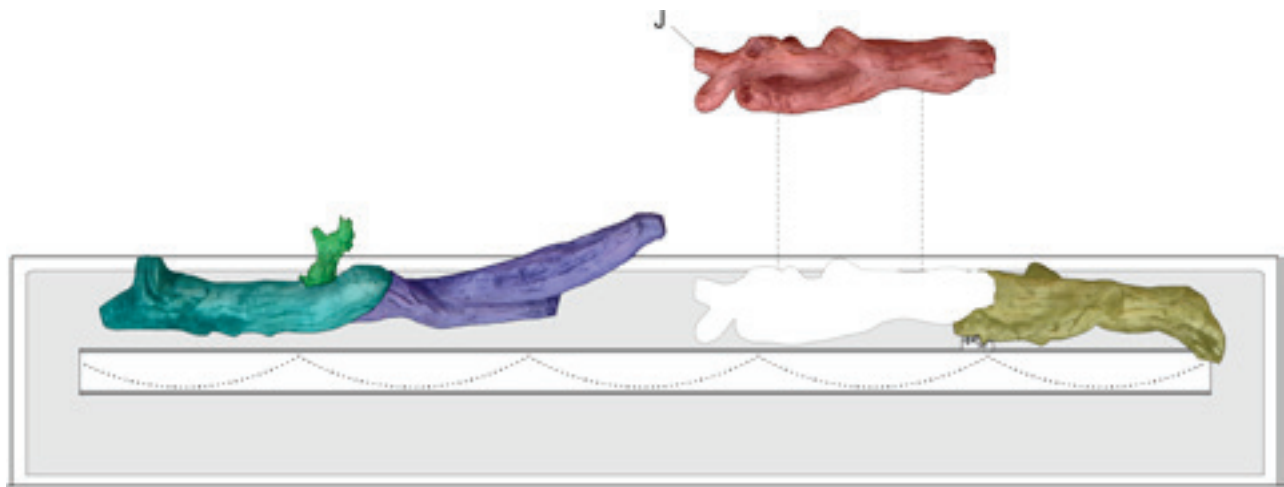
FRONT VIEW



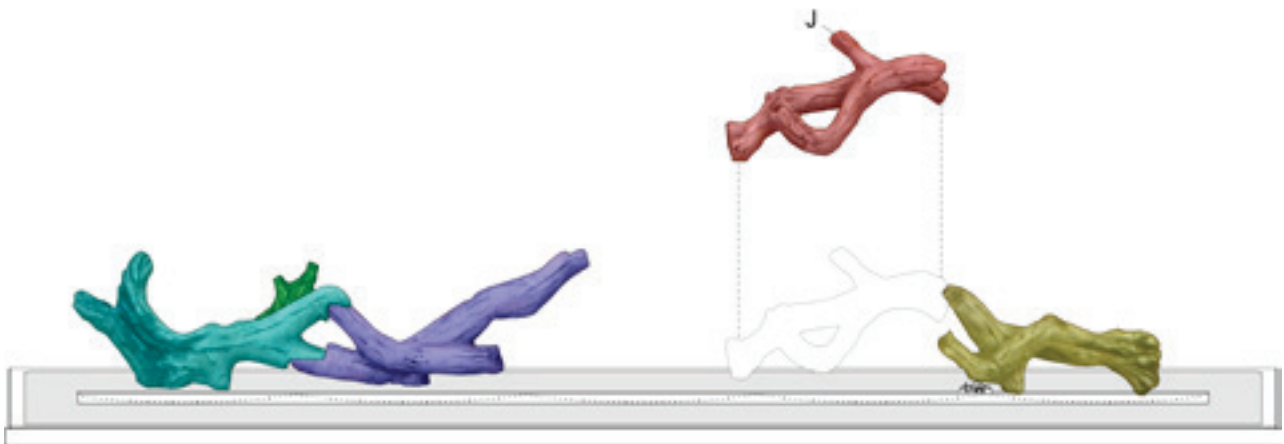
PIN LOCATION

# LOG PLACEMENT

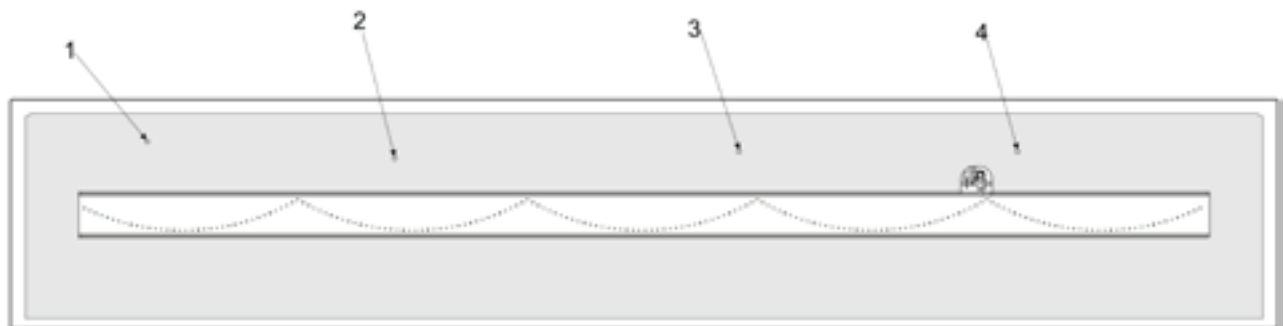
5. Place Log "J" onto Pin # 3 and interlock with Log "K".



TOP VIEW



FRONT VIEW

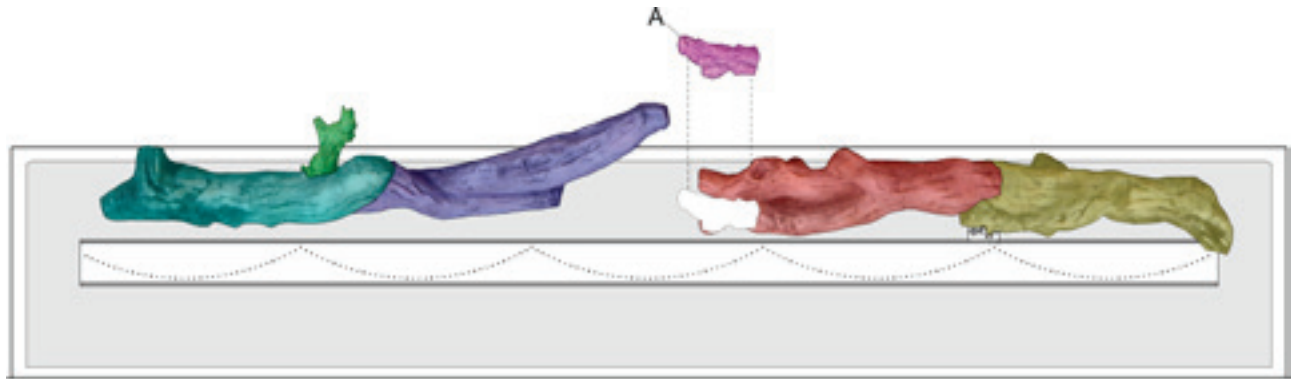


PIN LOCATION



# LOG PLACEMENT

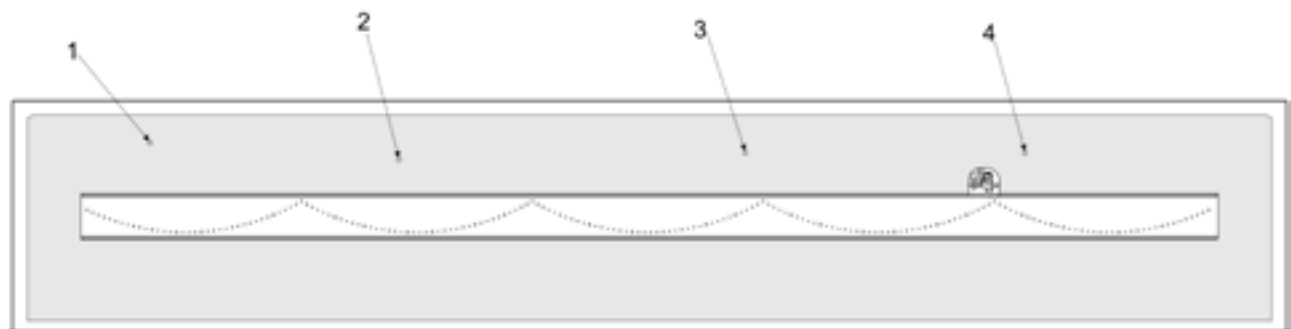
6. Insert small Log "A" into the hole in the left end of Log "J".



TOP VIEW



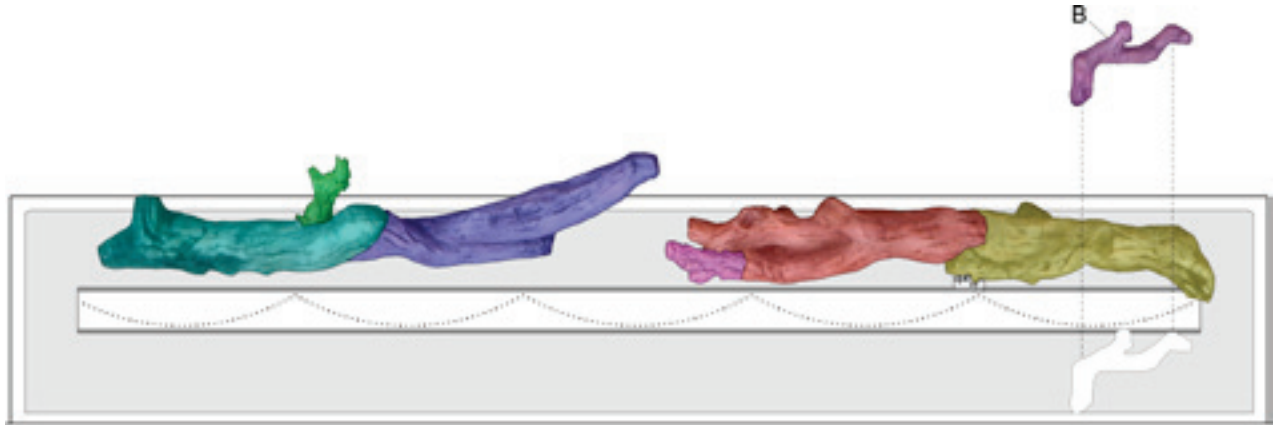
FRONT VIEW



PIN LOCATION

# LOG PLACEMENT

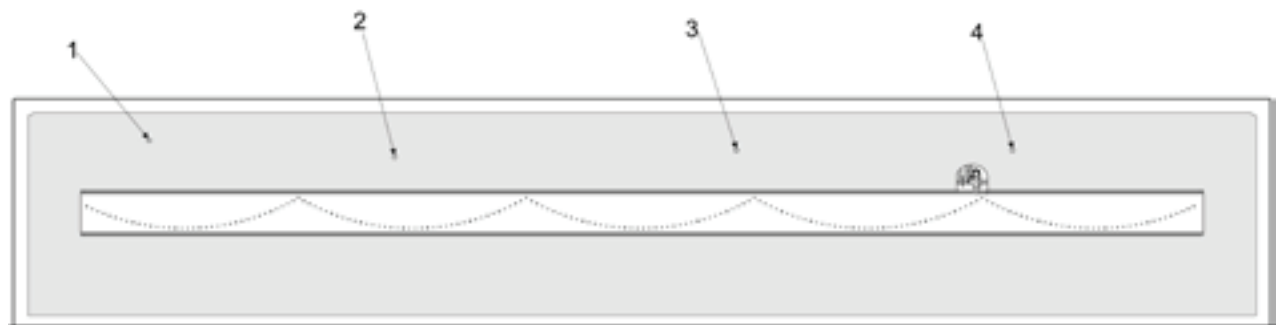
- Place Log "B" near the right end of the Burner. Position this Log "B" between the front Glass Retainer and the Burner as shown in the top view illustration.



TOP VIEW



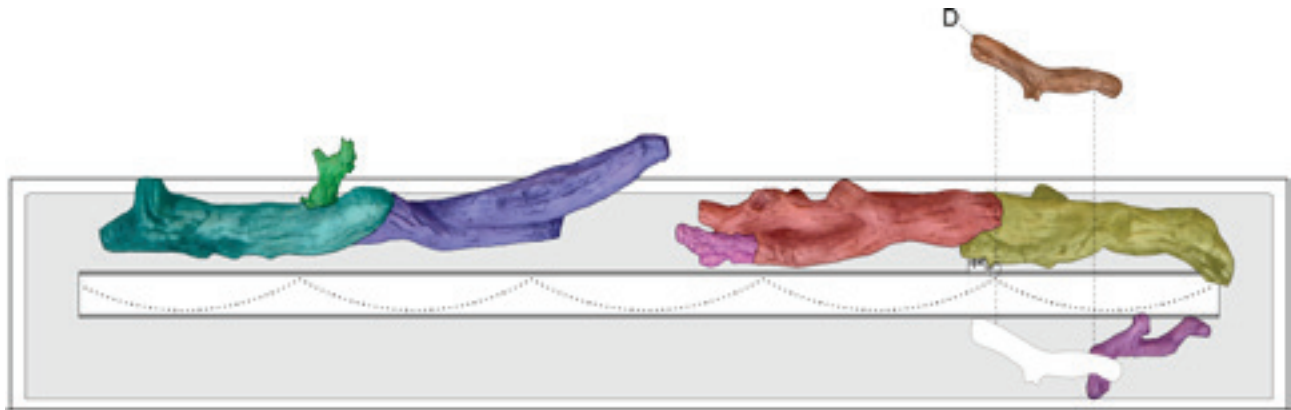
FRONT VIEW



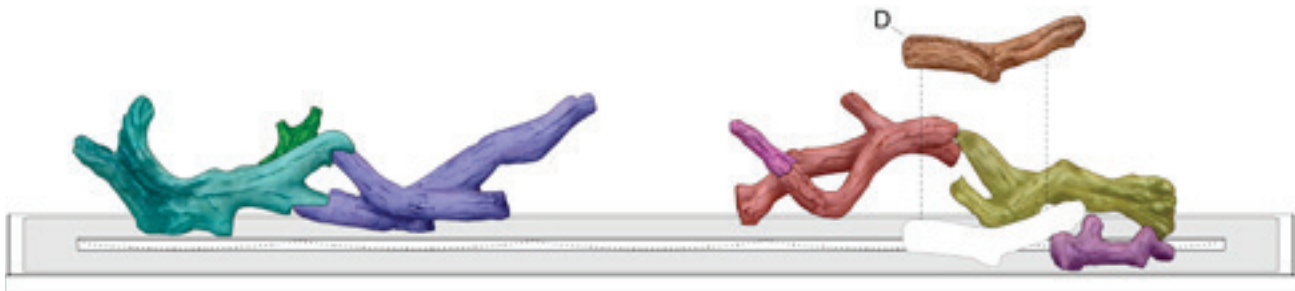
PIN LOCATION

# LOG PLACEMENT

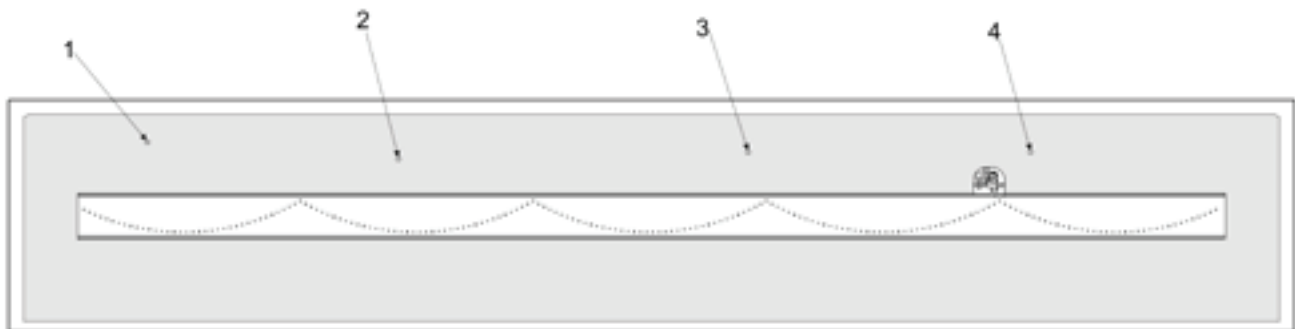
- Set the Log "D" to the right side of Log "B". The right end of Log "D" will rest in a groove located on the top of Log "B" as illustrated in the top view.



TOP VIEW



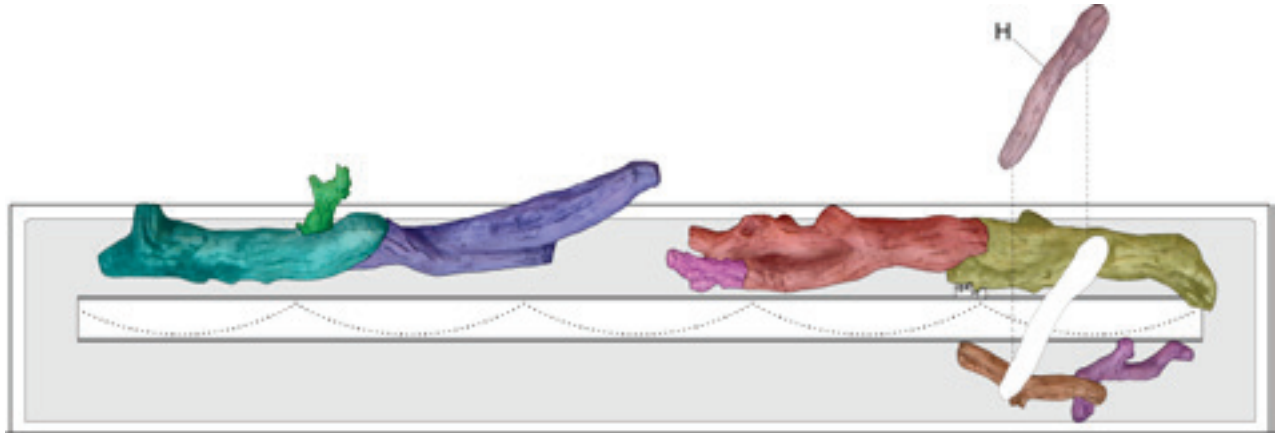
FRONT VIEW



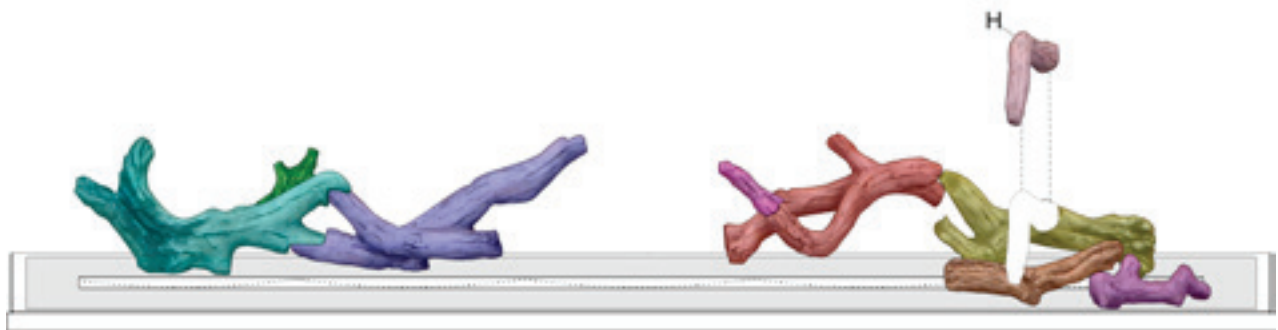
PIN LOCATION

# LOG PLACEMENT

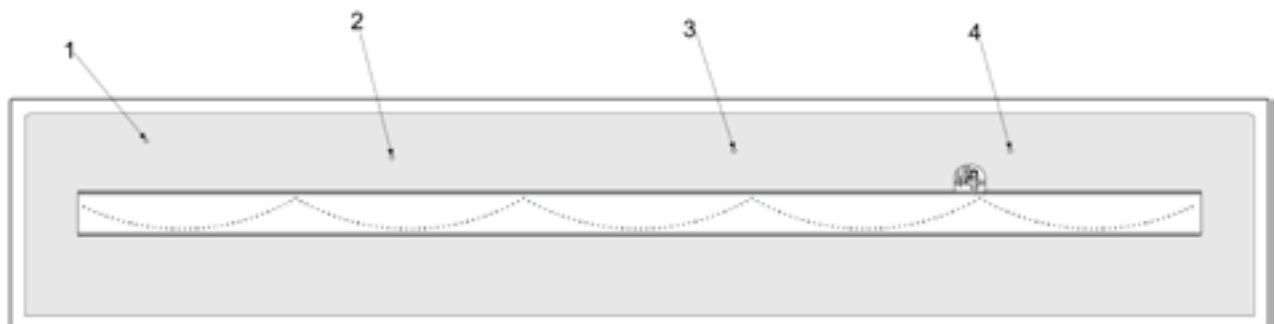
9. Place "Log H" so the end with the rectangular projection is placed in the recessed pocket located on Log "K", and the opposite end of this log should set on top of Log "D" as illustrated. Logs B and D can be moved left or right to support Log "H" as shown.



TOP VIEW



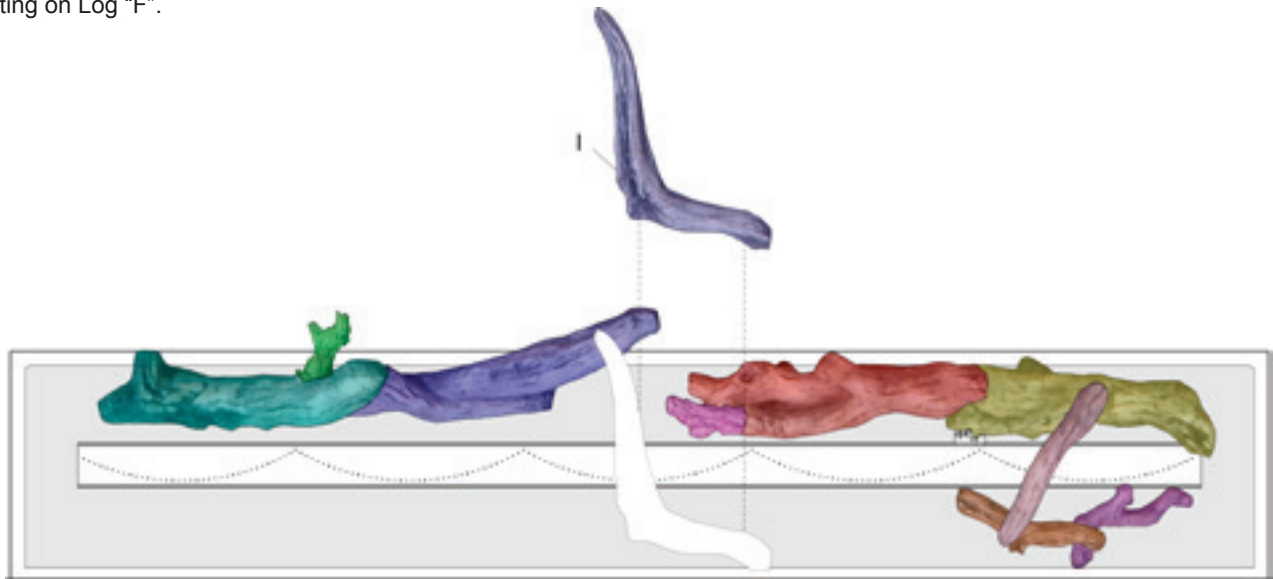
FRONT VIEW



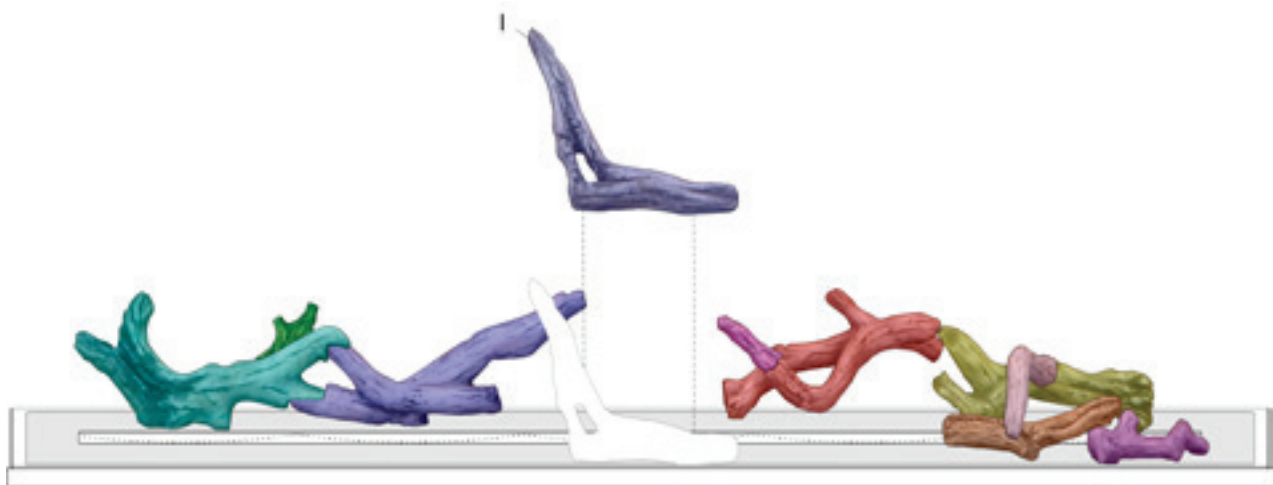
PIN LOCATION

# LOG PLACEMENT

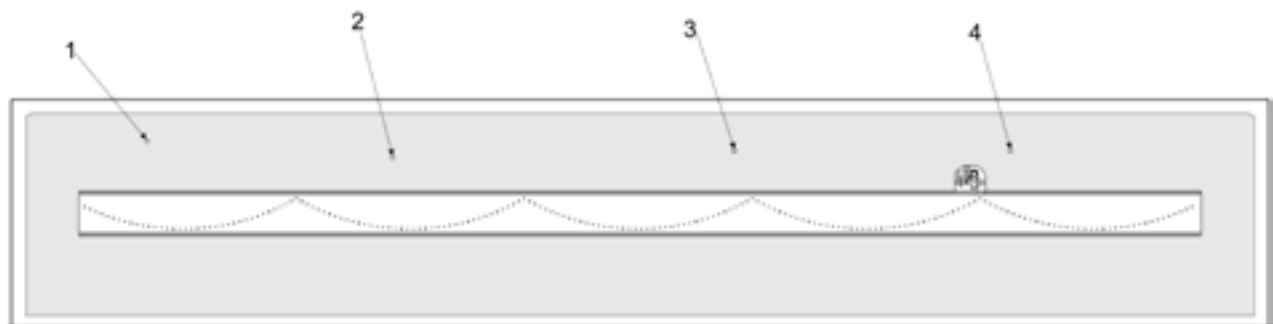
10. Place Log "I" at the front center of the fireplace as shown. This log sets in front of the burner with the top slender pointed end resting on Log "F".



TOP VIEW



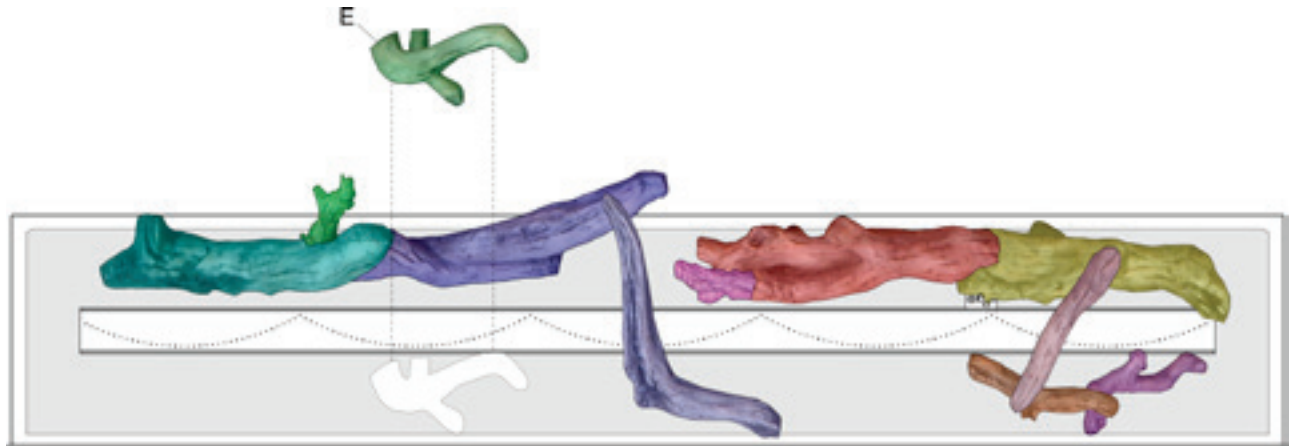
FRONT VIEW



PIN LOCATION

# LOG PLACEMENT

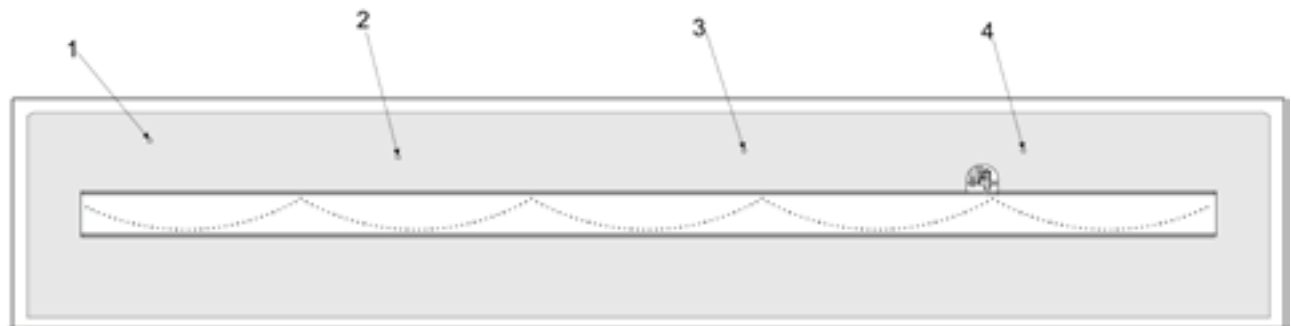
11. Place Log "E" in front of the burner in the approximate location shown in the top view.



TOP VIEW



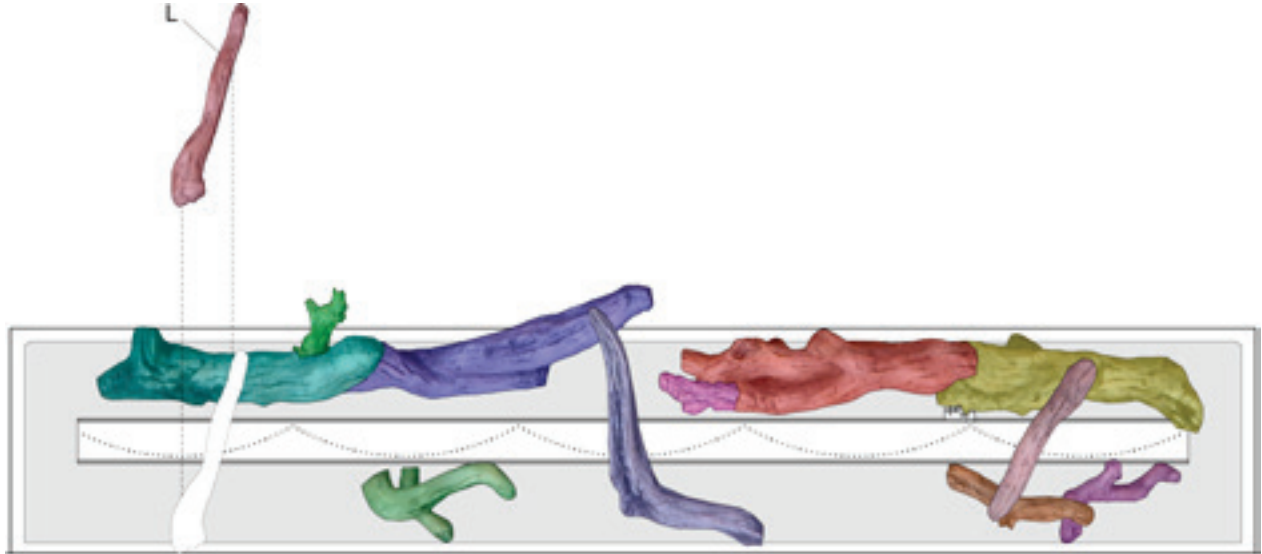
FRONT VIEW



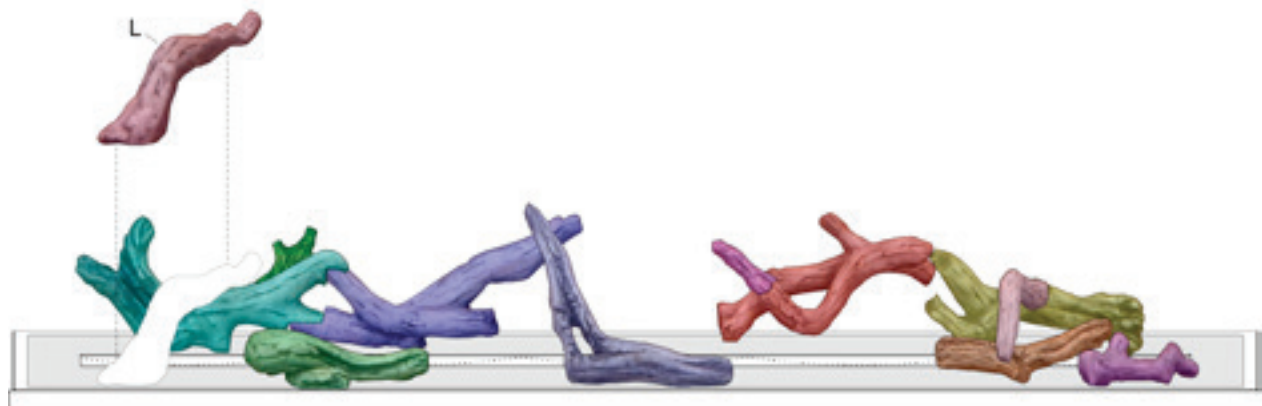
PIN LOCATION

# LOG PLACEMENT

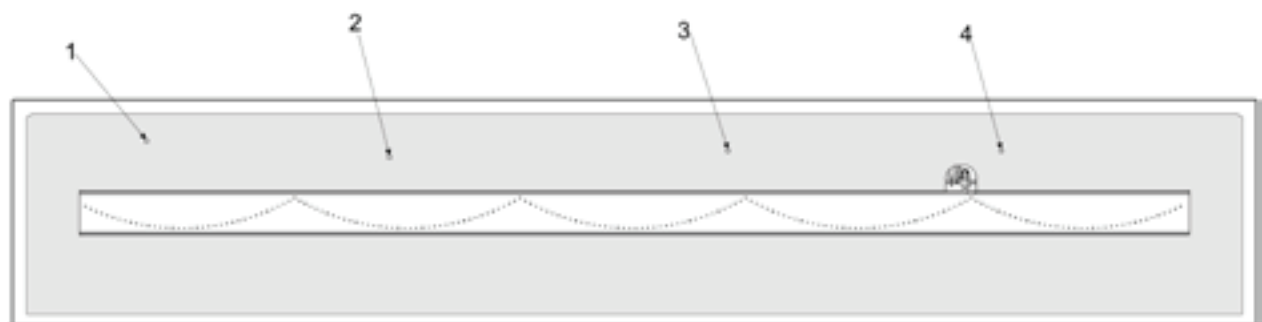
12. Place Log "L" near the left end of the burner. The large end sets in front of the burner next to the front Glass Retainer. The small end rests in a depression in Log "G".



TOP VIEW



FRONT VIEW

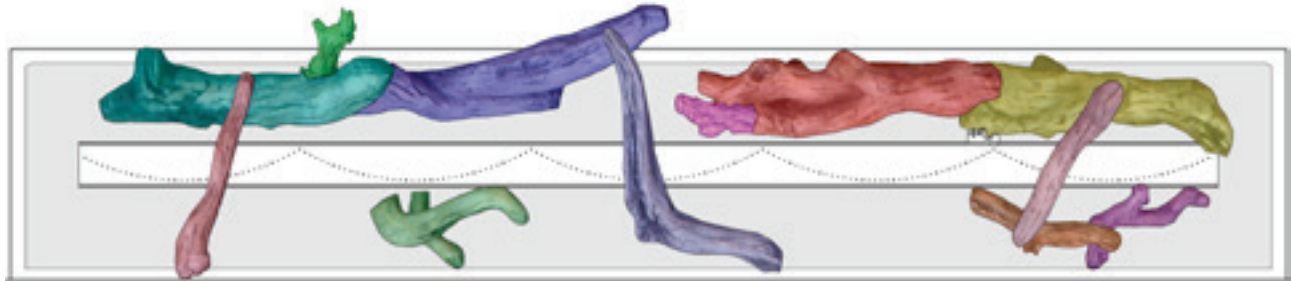


PIN LOCATION



# LOG PLACEMENT

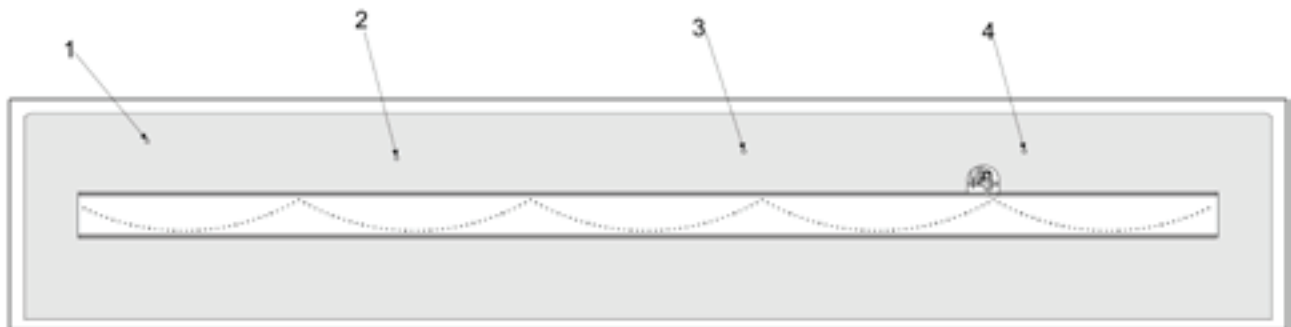
**NOTICE:** After the Log set is installed, place crushed glass on the burner and burner screen area as directed in the Fireplace installation instruction manual. If excessive flame impingement occurs on any of the cross logs “H”, “I”, and “L”, these logs can be rotated left/right away from the flame to improve performance. In addition, thinning out the glass directly under the cross logs will help to reduce flame impingement and sooting.



TOP VIEW



FRONT VIEW



PIN LOCATION

# COMPLETING INSTALLATION

## Crushed Glass Media

1. Place crushed glass media onto the burner and burner screen. See the Installation Instructions supplied with the fireplace for more information.

**NOTICE:** Crushed glass should not be placed on the burner screen area more than one layer deep. Excessive use of crushed glass may create a greater chance of developing soot on logs. Do not allow crushed glass to restrict the pilot flame. Do not place crushed glass in the pilot bracket accessed area.

## Final Steps

1. Re-install the glass door assembly. Test fire to ensure there is minimal contact between the flame and the logs.
2. If the test fire is acceptable, re-install the barrier screen assembly.
3. If during the test firing there seems to be significant flame impingement on the cross logs, there are two steps that can be taken to reduce the impingement:
  - a. Pivot log left or right to move away from flame.
  - b. Thin out crushed glass directly under the cross log. This can reduce the height of the flame directly under the log.

# MASTER PARTS DISTRIBUTOR LIST

To Order Parts Under Warranty, please contact your local Empire dealer. See the dealer locator at [www.empirecomfort.com](http://www.empirecomfort.com). To provide warranty service, your dealer will need your name and address, purchase date and serial number, and the nature of the problem with the unit.

To Order Parts After the Warranty Period, please contact your dealer or one of the Master Parts Distributors listed below. This list changes from time to time. For the current list, please click on the Master Parts button at [www.empirecomfort.com](http://www.empirecomfort.com). Please note: Master Parts Distributors are independent businesses that stock the most commonly ordered Original Equipment repair parts for Heaters, Grills, and Fireplaces manufactured by Empire Comfort Systems Inc.

## Dey Distributing

1401 Willow Lake Boulevard  
Vadnais Heights, MN 55101

**Phone:** 651-490-9191

**Toll Free:** 800-397-1339

**Website:** [www.deydistributing.com](http://www.deydistributing.com)

**Parts:** Heater, Hearth and Grills

## F. W. Webb Company

200 Locust Street  
Hartford, CT 06114

**Phone:** 860-722-2433

**Toll Free:** 800-243-9360

**Fax:** 860-293-0479

**Toll Free Fax:** 800-274-2004

**Websites:** [www.fwwebb.com](http://www.fwwebb.com) & [www.victormfg.com](http://www.victormfg.com)

**Parts:** Heater, Hearth and Grills

## East Coast Energy Products

10 East Route 36  
West Long Branch, NJ 07764

**Phone:** 732-870-8809

**Toll Free:** 800-755-8809

**Fax:** 732-870-8811

**Website:** [www.eastcoastenergy.com](http://www.eastcoastenergy.com)

**Parts:** Heater, Hearth and Grills

# HOW TO ORDER REPAIR PARTS

## Parts Not Under Warranty

Parts can be ordered through your Service Person, Dealer, or a Master Parts Distributor. See this page for the Master Parts Distributors list. For best results, the **service person or dealer** should order parts through the distributor. Parts can be shipped directly to the **service person/dealer**.

## Warranty Parts

Warranty parts will need a proof of purchase and can be ordered by your Service Person or Dealer. Proof of purchase is **required** for warranty parts.

All parts listed in the Parts List have a Part Number. When ordering parts, first obtain the Model Number and Serial Number from the name plate on your equipment. Then determine the Part Number (**not** the Index Number) and the Description of each part from the following illustration and part list. Be sure to give all this information . . .

Appliance Model Number \_\_\_\_\_ Part Description \_\_\_\_\_

Appliance Serial Number \_\_\_\_\_ Part Number \_\_\_\_\_

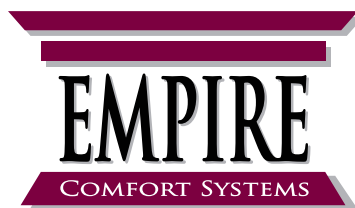
Type of Gas (Propane or Natural) \_\_\_\_\_

Do not order bolts, screws, washers or nuts. They are standard hardware items and can be purchased at any local hardware store.

Shipments contingent upon strikes, fires and all causes beyond our control.







**Empire Comfort Systems Inc.  
Belleville, IL**

If you have a general question  
about our products, please e-mail  
us at [info@empirecomfort.com](mailto:info@empirecomfort.com).

If you have a service or repair  
question, please contact your dealer.

SINCE 1932

**[www.empirecomfort.com](http://www.empirecomfort.com)**