

# EMPIRE

Cast Iron Stoves



Vent-Free Cast Iron Stoves





*Empire Compact Vent-Free Stove in Matte Black with optional Side Shelves*

## **Empire Vent-Free Gas Stoves**

Vent-free Empire Stoves come standard with Empire's Contour burner system. The Contour Burner features precision-port technology to produce vibrant flames. Topped off with the hand-painted ceramic fiber log set and glowing embers, the effect is as realistic as a gas-fired stove gets. Vent-free technology eliminates the need for venting, which provides flexibility with installation and room placement.

## Medium Size Stoves

- 27,000 BTUs Contour Burner
- Richly detailed casting
- Fully operable decorative cast iron doors
- Available in three finishes: porcelain black, porcelain mahogany, and matte black
- Optional side shelf sets available
- Optional floor pads available



*Empire Medium Vent-Free Stove in Porcelain Mahogany with optional Floor Pad*

## Compact Size Stoves

- 20,000 BTUs Contour Burner
- Available 10,000 BTUs model may be installed in bedrooms, where allowed by code.
- Richly detailed casting
- Decorative cast iron doors (non-operable)
- Available in three finishes: porcelain black, porcelain mahogany, and matte black
- Optional side shelf sets available
- Optional floor pads available



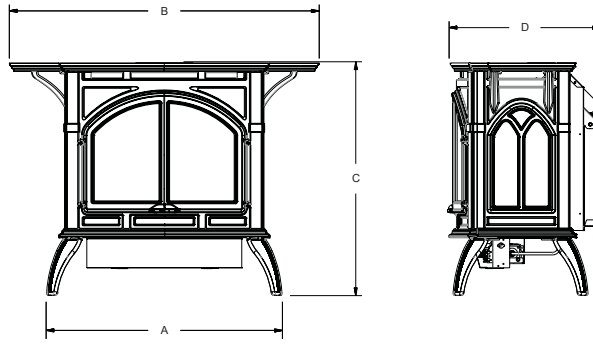
*Optional Matching Side Shelf Kit*

Empire Cast Iron Stove Finish Options					
Stove Size	Control	Btu	Porcelain Black	Porcelain Mahogany	Matte Black
Compact	Millivolt	10,000	VFD-10-CC30B	VFD-10-CC30M	VFD-10-CC30F
Compact	Millivolt	20,000	VFD-20-CC30B	VFD-20-CC30M	VFD-20-CC30F
Compact	Intermittent Pilot	20,000	VFD-20-CC70B	VFD-20-CC70M	VFD-20-CC70F
Medium	Millivolt	25,000	VFD-30-CC30B	VFD-30-CC30M	VFD-30-CC30F
Medium	Intermittent Pilot	25,000	VFD-30-CC70B	VFD-30-CC70M	VFD-30-CC70F

Stone Colors for Inlays & Floor Pads		
	American Beauty Marble	Venetian Gold Granite
Stone Inlay for Medium Stove <i>(replaces metal grill inlay on Medium Stoves only)</i>	CSI0-12A	CSI-8V
Traditional Floor Pad Stone Inlay Kit (CIFPB-1)	CIFS-12A	CIFS-8V
Corner Floor Pad Stone Inlay Kit (CIFPB-1C)	CIFS-12AC	CIFS-8VC

Model	A	B	C	D
VFD-20-CC	21 1/2	32 3/4	24 1/8	15 3/8
VFD-30-CC	28 1/16	37	27 3/4	17 1/8

Clearance to Combustible Materials			
Side Wall	6 in.	Adjacent Corner Wall	4 in.
Back Wall	2 in.	Ceiling	36 in.



## Gas Inlet

Type of Gas	Natural or Propane
Iron Pipe Size (N.P.T.)	3/8-inch
Ignition System	Millivolt (Standing Pilot/Piezo) or Intermittent Pilot

## Warranty

All vent-free parts carry a five-year limited warranty with a five-year limited labor warranty. All remote controls carry a one-year limited warranty.

Empire Comfort Systems is committed to continuous product improvement; specifications are subject to change without notice. Flame size, shape and color will vary from photos.

Member of the following industry associations:



This appliance is design-certified to the ANSI standard by:



SINCE 1932

918 Freeburg Ave.  
Belleville, IL 62220-2623  
E-mail: info@empirecomfort.com  
ECS-00805 8/28/19