



WOOD STOVE

Gateway 1700

Features

- Simple Operation
- Easy to Maintain
- EPA 2020 Certified
- Limited Lifetime Warranty
- Multiple Design Options

Specifications

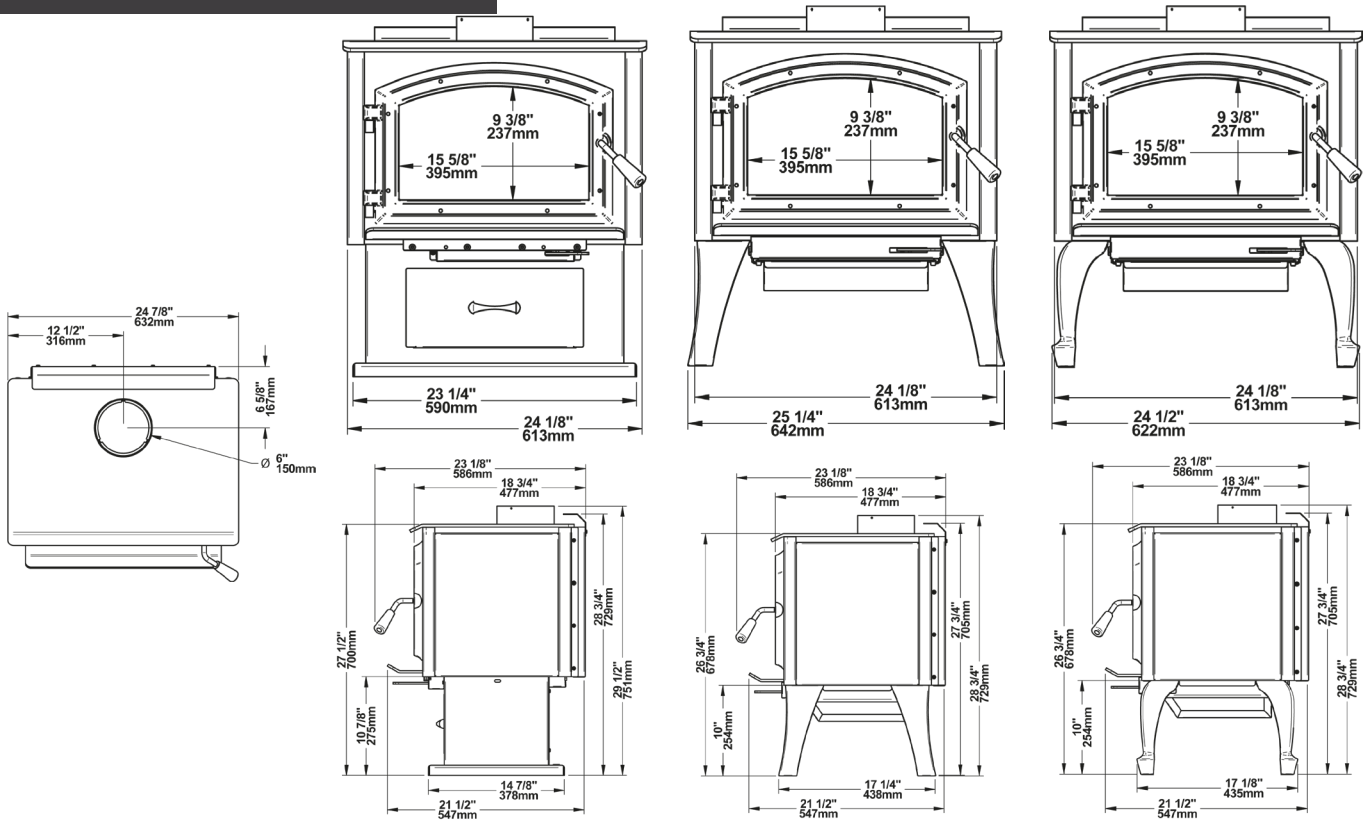
- Heating Area 500-1,800 sq. ft.
- Burn Time 6 Hours
- Maximum Heat Output 65,000 BTUs
- Maximum Log Length 18 in.
- Firebox Size 1.9 cu. ft.
- Dimensions 29 1/2" H, 24 1/8" W, x 18 3/4" D

Options & Accessories

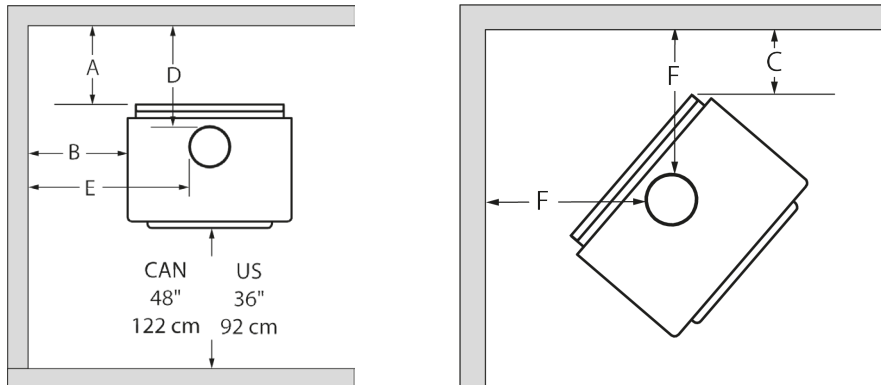
- 5 Base Options (Requires 1)
 - Pedestal
 - Black Straight Legs
 - Nickel Straight Legs
 - Black Queen Anne Legs
 - Nickel Queen Anne Legs
- 2 Door Options (Requires 1)
 - Nickel Door Overlay
 - Black Door Overlay
- Accessories
 - Step Top
 - Blower
 - Fresh Air Intake Kit
 - Fire Screen

Gateway 1700

DIMENSIONS



CLEARANCE TO COMBUSTIBLES



GATEWAY 1700

	A	B	C	D	E	F
US	9"	12"	12"	12 1/2"	21"	20 3/4"
Canada	9"	12"	12"	12 1/2"	21"	20 3/4"

LIMITED LIFETIME: Combustion chamber (welds only) and cast iron door frame, Ceramic Glass, Plating (manufacture defect), step top. LIMITED 7 YEAR: Surrounds, heat shields, ash drawer, pedestal, C-Cast Baffle, secondary air tubes, deflectors and supports. LIMITED 5 YEAR: Handle assembly, glass retainers, air control mechanism, removable carbon steel combustion chamber components. LIMITED 2 YEAR: Standard and optional blower, heat sensors, switches, rheostat, wiring and electronics. LIMITED 1 YEAR: Paint peeling, gaskets, insulation, ceramic fiber blankets, fire bricks and other options. LIMITED 90 DAY: All parts replaced under warranty.



info@empirestove.com