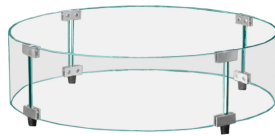




Glass Windshields



Round Models	Diameter		Height	Fits Fire Pits Sizes
GWS-22R	22 7/8"		6 3/4"	FPB16 - FPB19 (Round pan)
Rectangular/ Square Models	Length	Width	Height	Fits Fire Pits Sizes
GWS-2424	24"	24"	7 1/2"	FPB-20S (Square pan)
GWS-3030	30"	30"	7 1/2"	FPB-26S (Square pan)
GWS-3838	38"	38"	7 1/2"	FPB-32S (Square pan)
GWS-4242	42"	42"	7 1/2"	FPB-38S (Square pan)
GWS-3810	38"	10"	7 1/2"	FPB-24L, LOF-30LT, LOF-30MT
GWS-4410	44"	10"	7 1/2"	FPB-30L, FPB-36L, LOF-36MT
GWS-6010	60"	10"	7 1/2"	[FPB-24L + FPB24L] or [FPB-30L + FPB24L] or LOF-48LT
GWS-8410	84"	10"	7 1/2"	[FPB-30L + FPB-30L], [FPB-36L + FPB-36L], [FPB-36L + FPB-30L], [LOF-60LT]

Firegear Outdoors tempered glass windshields are designed for fire pits to protect the flame in high wind areas and provides unique reflective flame qualities while flame is burning. In addition, they provide an attractive see-through addition to any fire pit.

IF YOU CANNOT READ OR UNDERSTAND THESE INSTALLATION INSTRUCTIONS DO NOT ATTEMPT TO INSTALL OR OPERATE THIS APPLIANCE

CALIFORNIA PROPOSITION 65



WARNING

This product can expose you to Chromium, which is known to the state of California to cause cancer and birth defects or other reproductive harm. (For more information, go to www.p65warnings.ca.gov)



WARNING:

Hot glass will cause burns.
Do not touch glass until cool.
Never allow children to touch glass.
Do not leave fire pit unattended during use.

Tools Needed: Phillips or standard screwdriver, soft leather gloves for handling glass, dry flat, smooth surface large enough to accommodate the windshield for assembly.

CAUTION: It is recommended for two people to assemble the glass windshield. Lay the glass panels on a soft non abrasive flat surface to keep windshield level.

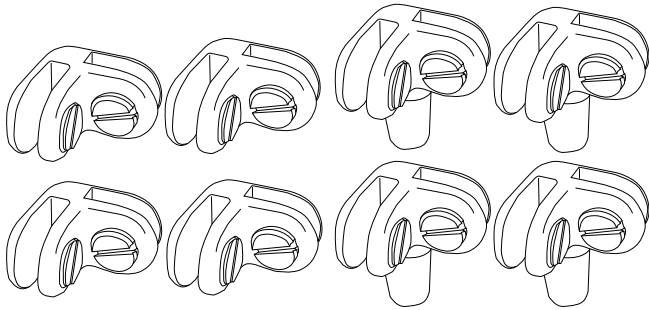


Fig. 1 GWS-BRACKET-S included with square/ rectangular windshield brackets with Nylon bumper set-screws.

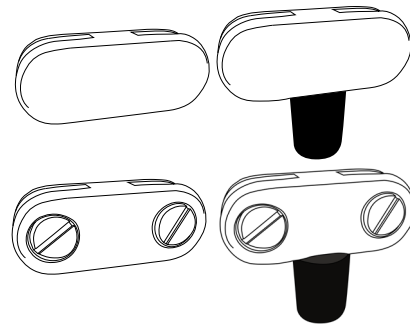


Fig. 2. GWS-STRAIGHTBRKT included with extra long rectangular windshields and Nylon bumper set-screws.

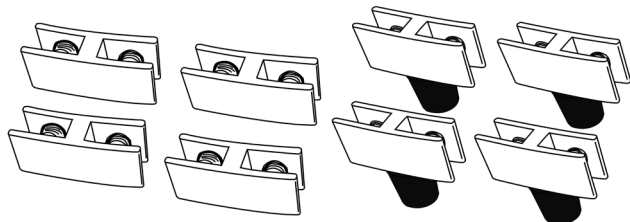


Fig. 3 GWS-CURVEBRACKET included with round windshields and silicone bumpers on end of each set-screw.

Each square bracket uses a nylon set-screw (See Fig. 5) with a standard screwdriver to secure the glass in place to prevent glass breakage .

The curved brackets have a set-screw with a silicone bumper on the end of the screw that presses against the glass panel (See Fig. 4). Ensure the silicone bumper is pressed into the end of each set-screw before securing with screwdriver.

The straight brackets are used to join together two pieces of glass for the extra length of glass. These brackets come with the GWS-6010, GWS-6810 and GWS-8410 only (See Fig. 9)



WARNING:

Do not assemble a round windshield without the silicone bumpers on end of each set-screw. Glass could crack or break without it. Warranty does not cover glass breakage during the assembly process.

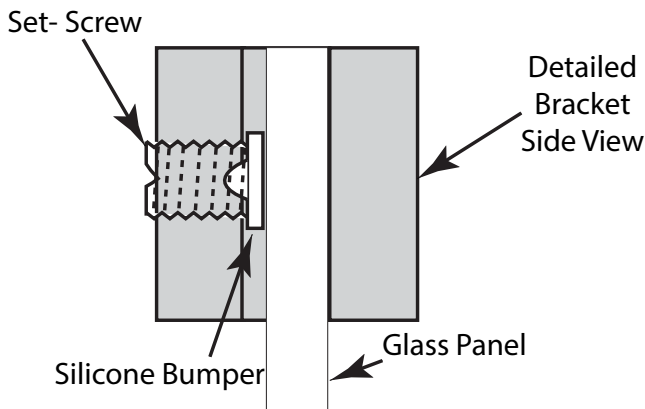


Fig. 4 Side view close up of bracket showing silicone bumper at end of set-screw.

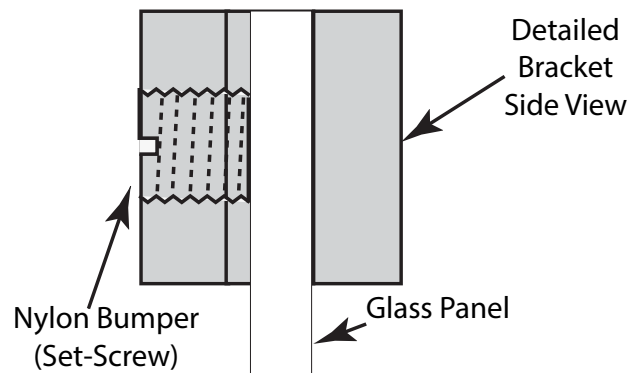


Fig. 5 Close up of bracket side view

INSTALLATION FOR RECTANGULAR AND SQUARE WINDSHIELDS

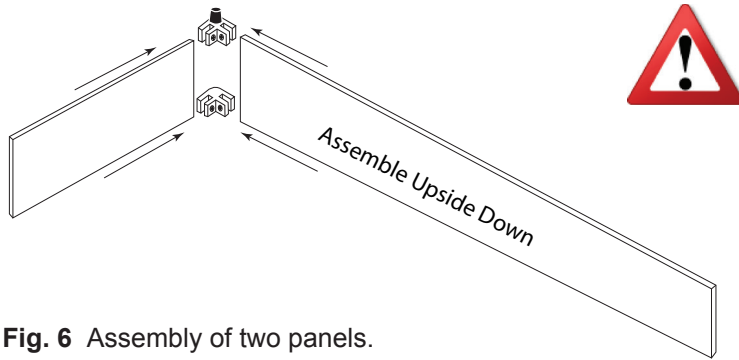


Fig. 6 Assembly of two panels.

CAUTION: Assemble on a flat dry surface. It is recommended for two people to assemble and install the windshields. In addition, first assemble the windshield upside down then invert them in the correct position after assembly is complete.

STEP 1: Loosen set-screws in top and bottom corner brackets and slide one short panel and one long panel of glass into place. Butt glass to the inside edge of the bracket and snug with screwdriver (See figures 6-8). Assemble in upside down position with the black feet at the top. Ensure the nylon set-screw is flat against the glass.

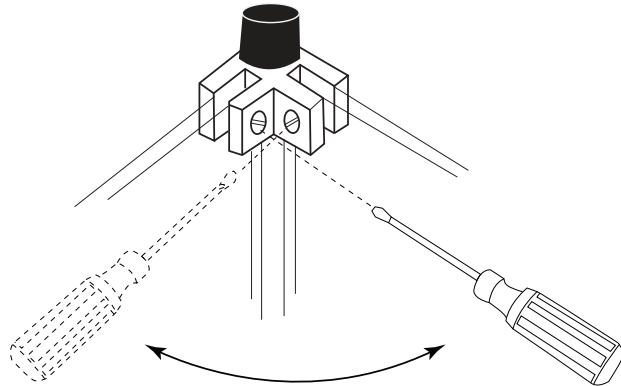


Fig. 7 Tightening bottom bracket set-screws.

Ensure the edge of the glass is flush with the bracket. Tighten set-screws until snug. Over-tightening may break the glass. Continue installing the other two panes of glass with the remaining brackets until all eight (8) brackets are securing the windshield into place.

The ends of the glass panels should be tight and flush against the inside edge of the windshield brackets.

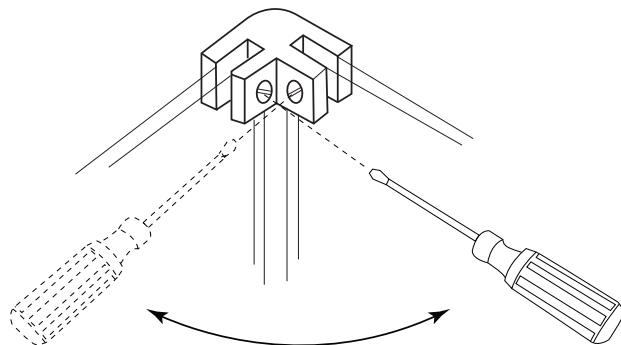


Fig. 8 Tightening top bracket set-screws.

NOTE: If you are installing the straight brackets on long extended windshields, install one short panel with two long panels. Then assemble the other short panel with two long panels and slide them together as shown in figure 9. Snug the set-screws into place.

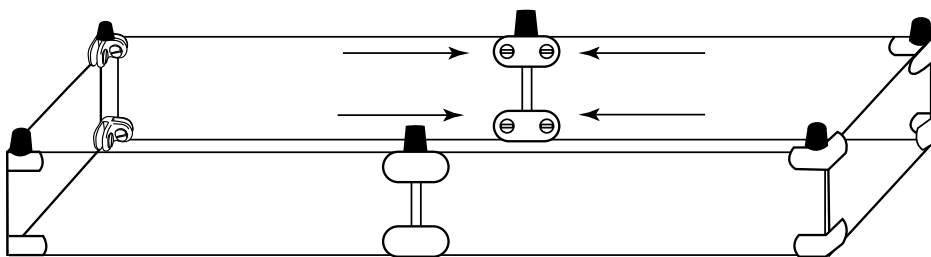


Fig. 9 Assembling straight brackets on long extended windshields.

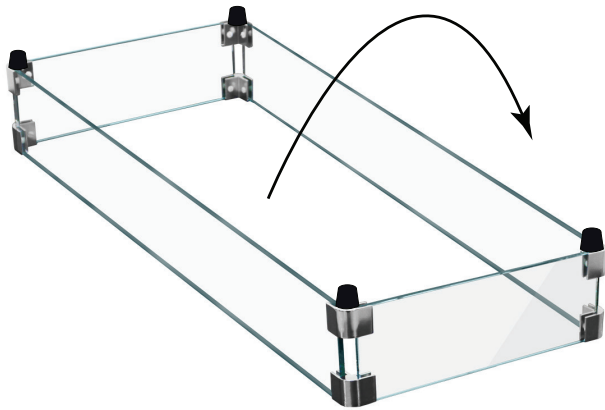


Fig. 10 Assembly complete. Turn windshield right side up and install.

STEP 2: After all eight (8) brackets are secured to the windshield carefully turnover the entire assembly right-side up (black feet at the bottom) and place the windshield over-top of your fire pit centering around the burner it into place (See Fig. 9) Installation is now complete.

NOTE: Extended windshields with straight brackets will have a total of 12 brackets.

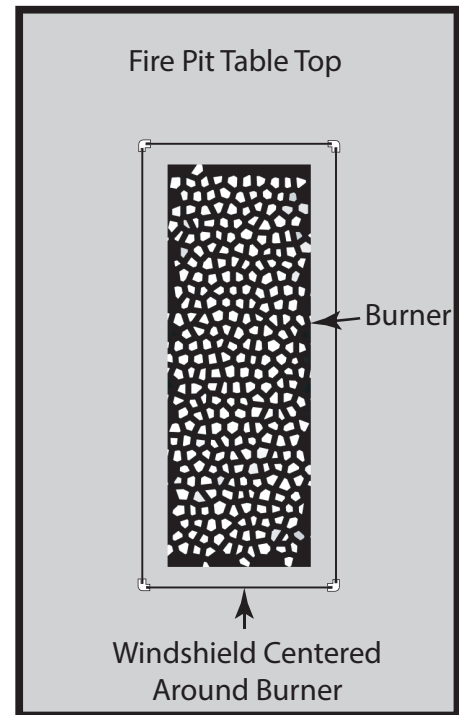


Fig. 11 Windshield installed (top view).

INSTALLATION FOR CIRCULAR WINDSHIELDS



CAUTION: Assemble on a flat dry surface. It is recommended for two people to assemble and install the windshields. In addition, first assemble the windshield upside down then invert them in the correct position after assembly is complete.

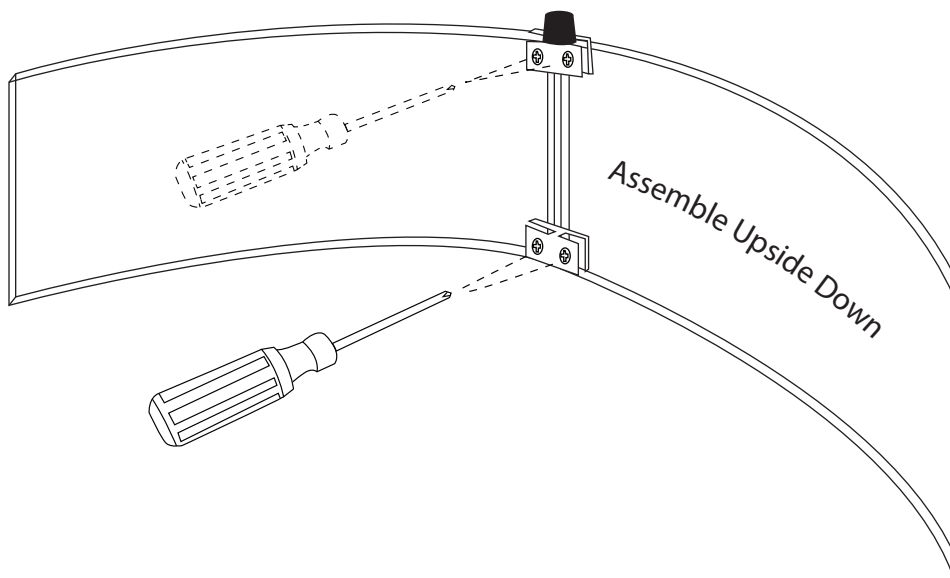


Fig. 12 Assembly of two round panes.

STEP 1: Loosen set-screws in top and bottom brackets and slide two glass panes into place. Butt glass to the inside edge of the bracket and snug (not tight until completely assembled) with Phillips screwdriver (See figures 12-14). Assemble in upside down position with the black feet at the top. Ensure the silicone bumper is flat against the glass and not popped out or deformed from being crooked.

Ensure the edge of the glass is flush with the bracket. Tighten set-screws until snug. Over-tightening may break the glass. Continue installing the other two panes of glass with the remaining brackets until all eight (8) brackets are securing the windshield into place.

NOTE: Ensure the ends of the glass panels are tight and flush against the inside edge of the windshield brackets.

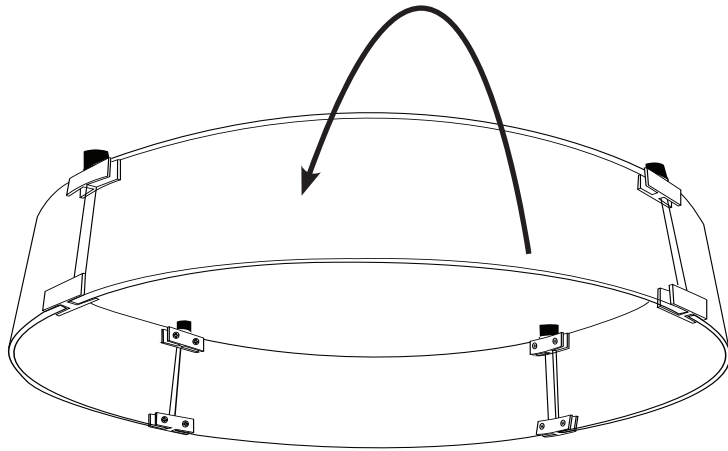


Fig. 13 Assembly complete. Turn windshield right side up and install.

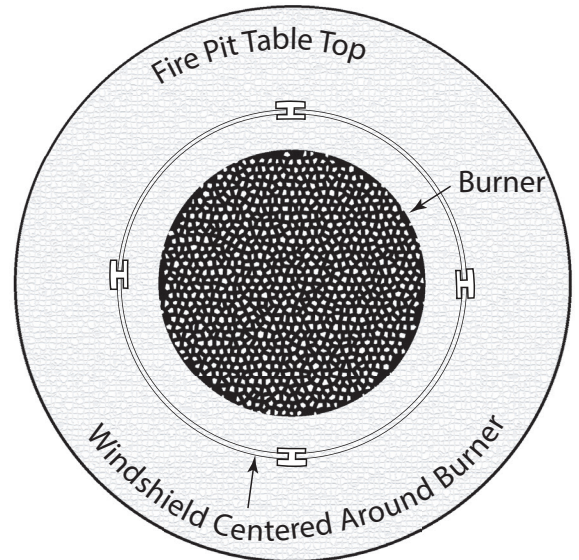


Fig. 14 Windshield installed.

STEP 2: After all eight (8) brackets are secured to the windshield carefully turnover the entire assembly right-side up (black feet at the bottom) and place the windshield over-top of your fire pit centering around the burner it into place (See Fig 14). Installation is now complete.

REPLACEMENT PARTS

Model	Glass Size	Bracket Set	Top Brackets	Bottom Brackets
GWS-22R	(4) Curved Panels x 6 ³ / ₄ "	(8) GWS-CURVEBRACKET	(4) GWS-CURVE-TOP	(4)GWS-CURVE-BOT
GWS-2424	(4) 24" x 7 ¹ / ₂ "	(8) GWS-BRACKET-S	(4) GWS-BRACKET-S-TOP	(4) GWS-BRACKET-S-BOT
GWS-3030	(4) 30" x 7 ¹ / ₂ "	(8) GWS-BRACKET-S	(4) GWS-BRACKET-S-TOP	(4) GWS-BRACKET-S-BOT
GWS-3838	(4) 38" x 7 ¹ / ₂ "	(8) GWS-BRACKET-S	(4) GWS-BRACKET-S-TOP	(4) GWS-BRACKET-S-BOT
GWS-4242	(4) 42" x 7 ¹ / ₂ "	(8) GWS-BRACKET-S	(4) GWS-BRACKET-S-TOP	(4) GWS-BRACKET-S-BOT
GWS-3810	(2) 38" x 7 ¹ / ₂ " - (2) 10" x 7 ¹ / ₂ "	(8) GWS-BRACKET-S	(4) GWS-BRACKET-S-TOP	(4) GWS-BRACKET-S-BOT
GWS-4410	(2) 44" x 7 ¹ / ₂ " - (2) 10" x 7 ¹ / ₂ "	(8) GWS-BRACKET-S	(4) GWS-BRACKET-S-TOP	(4) GWS-BRACKET-S-BOT
GWS-6010	(4) 30" x 7 ¹ / ₂ " - (2) 10" x 7 ¹ / ₂ "	(8) GWS-BRACKET-S	(4) GWS-BRACKET-S-TOP	(4) GWS-BRACKET-S-BOT
6010 Includes		(4) GWS-STRAIGHTBRKT	(2) GWS-STRAIGHT-TOP	(2) GWS-STRAIGHT-BOT
GWS-8410	(4) 42" x 7 ¹ / ₂ " - (2) 10" x 7 ¹ / ₂ "	(8) GWS-BRACKET-S	(4) GWS-BRACKET-S-TOP	(4) GWS-BRACKET-S-BOT
8410 Includes		(4) GWS-STRAIGHTBRKT	(2) GWS-STRAIGHT-TOP	(2) GWS-STRAIGHT-TOP



LIMITED WARRANTY

Skytech Products Group (Firegear Outdoors) hereby warrants to the end user that products will be free from material and workmanship defects that prevent safe and correct operation of the product. The warranty commences from date of sale to the end user for the following period:

CONSUMER/NON-COMMERCIAL APPLICATIONS:

Stainless Steel Components	5 Years
Gas Valve, Spark Igniter & Electronic Parts	2 Years
Log Sets	3 Years
Glass Windshields	5 Years
Glass Media	1 Year
Controls	5 Years
AnF Enclosures	5 Years

Lava Rock and Lava Stones are not covered by warranty

COMMERCIAL APPLICATIONS:

Stainless Steel Components	1 Year
Gas Valve, Spark Igniter & Electronic Parts	1 Year
Log Sets	1 Year
Glass Windshields	1 Year
Glass Media	1 Year
Controls	1 Year
AnF Enclosures	1 Year

Lava Rock and Lava Stones are not covered by warranty

End User must provide a bill of sale, canceled check, or payment record from the end user to verify purchase date and to establish warranty period. This Limited Warranty shall be valid and limited to the original purchaser only.

WARNING Any modification to the product will void the warranty.

This Limited Warranty shall be limited to the repair and/or replacement of parts that have proven to be defective under normal use and service. Before returning any parts, contact our Technical Service Department for a Return Materials Authorization (RMA) number. All warranty claims must be made by the OEM / Distributor / Dealer account on behalf of the end user. You may contact Technical Service at (855) 498-8324.

All approved returned defects must be confirmed by our Technical Service Department. If the defect is confirmed and we approve the claim, we will replace such parts without charge. This warranty gives you specific legal rights, and you may also have other rights, which vary from state to state.

Travel, diagnostic cost, service labor to repair the defect and freight charges on warranty parts to and from the factory will be responsibility of the owner. We will not be responsible for labor charges and/or damage incurred in installation, repair, and replacement.

This Limited Warranty is voided if not assembled, installed and operated as intended. This Limited Warranty does not cover any defects due to accident, abuse, misuse, alteration, misapplication, vandalism, improper installation or improper maintenance or service, removal from the original location or re-installation into another location, or failure to perform normal and routine maintenance.

Damage due to severe weather conditions such as hail, hurricanes, earthquakes, tornadoes, discoloration due to overheating, exposure to chemicals (including salt), either directly or in the atmosphere, or very high humidity, is not covered by this Limited Warranty.

There are no other express warranties except as set forth herein. For consumer applications, any applicable implied warranties of merchantability and fitness are limited in duration to the period of coverage of this Limited Warranty. Some states do not allow limitation on how long an implied warranty lasts, so this limitation may not apply to you.

For Commercial applications, the liability of Firegear Outdoors is limited to the express terms of this warranty. We expressly disclaim any and all implied warranties, including any warranties of fitness for a particular purpose or merchantability.

We are not liable for any special, indirect or consequential damages. Our maximum liability is limited to the purchase price of the purchased products. Some states do not allow the exclusion or limitation of incidental or consequential damages, so this limitation or exclusions may not apply to you.

We do not authorize any person or company to assume for it any other obligation or liability in connection with the sale, installation, use, removal, return, or replacement of its equipment; and no such representations are binding.

FOR TECHNICAL SERVICE, CALL: (855) 498-8324

Firegear Outdoors
9230 Conservation Way
Fort Wayne, IN 46809
Sales: (888) 672-8929
Sales Support: (888) 699-6167

Tech Support E-mail: www.support@firegearoutdoors.com

WEB SITE: www.firegearoutdoors.com

