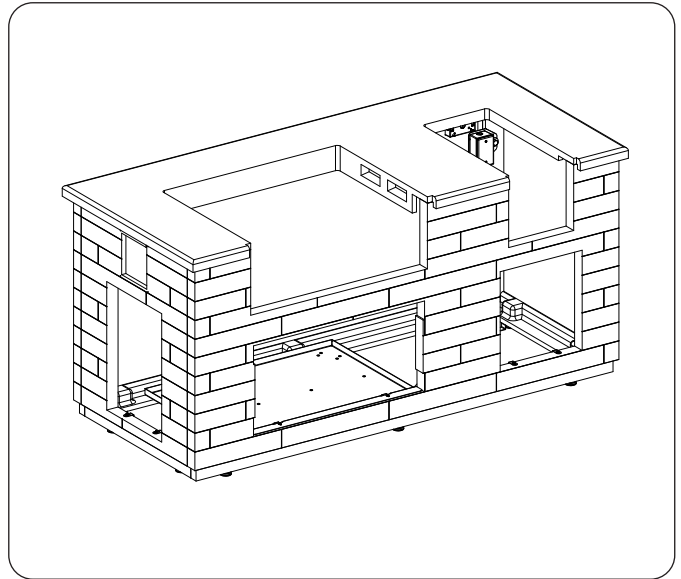




GFRC ISLAND (STANDARD RECLAIMED WOOD MODELS)

Model #s: ID660-FOD-77XX
ID660-SPD-77XX

ASSEMBLY INSTRUCTIONS AND OWNER'S MANUAL



INSTALLER: Leave these instructions with consumer.
CONSUMER: Retain for future reference.

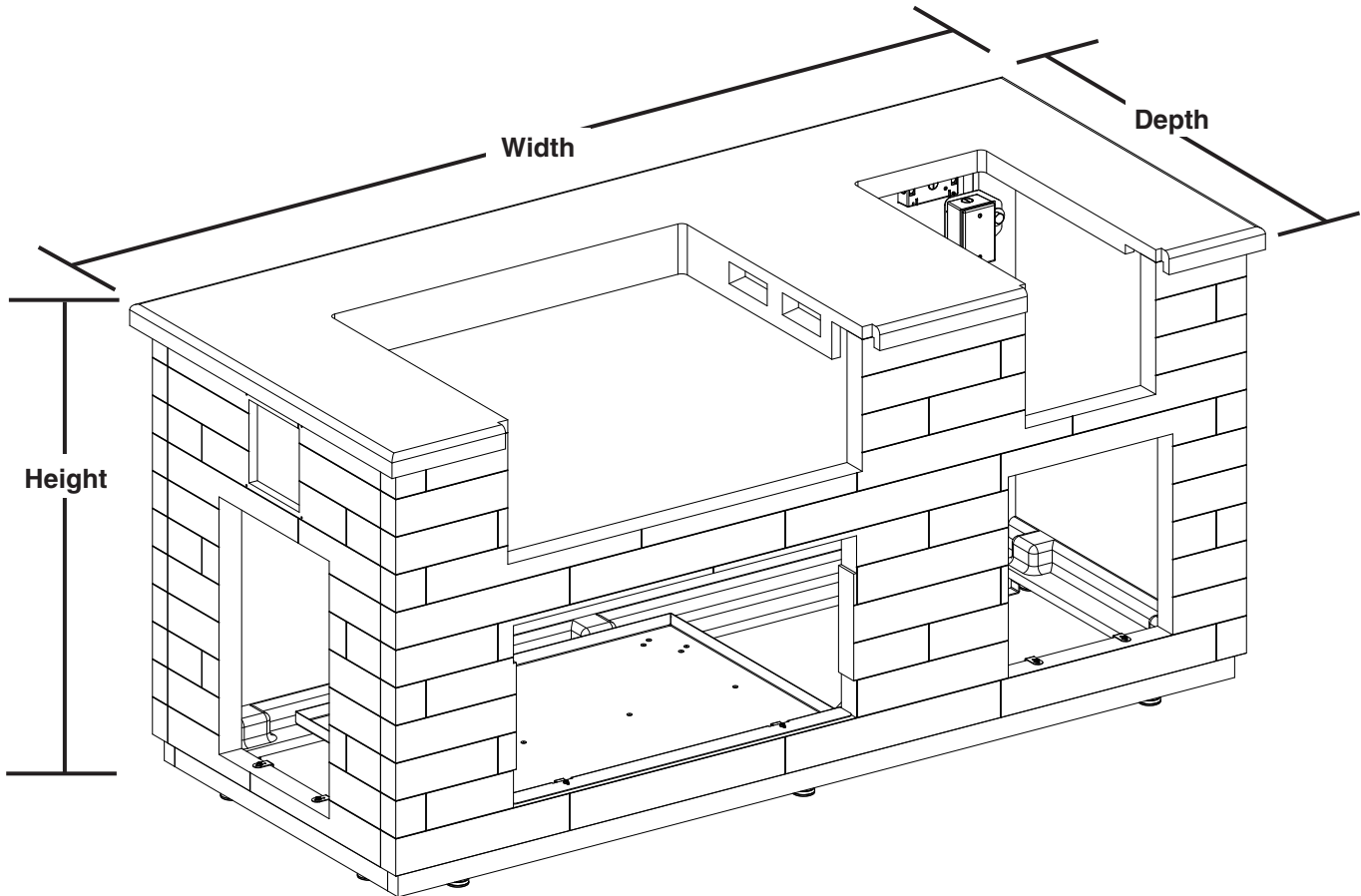
IMPORTANT: READ THESE INSTRUCTIONS CAREFULLY BEFORE STARTING INSTALLATION OR USE.

- Only Fire Magic grills/griddles and accessories can be used with this island.
- Fire Magic grill/griddle and accessories are not included. Contact your dealer for ordering information.
- When installing an L.P. cylinder within this island, it must be installed with a Fire Magic Door w/ Tank Tray and Louvers:
Model #s 53820SC(H)-T(L,R), 33820-TS(L,R), 23920-1T-S
- **Follow all instructions included with the grill/griddle and accessories to be installed into this island.**
- This island design provides all necessary ventilation.

SPECIFICATIONS AND DIMENSIONS

Description	Dimension
Height	36 1/2"
Width	77"
Depth	34 1/2"

Table 1 - Overall Island Dimensions

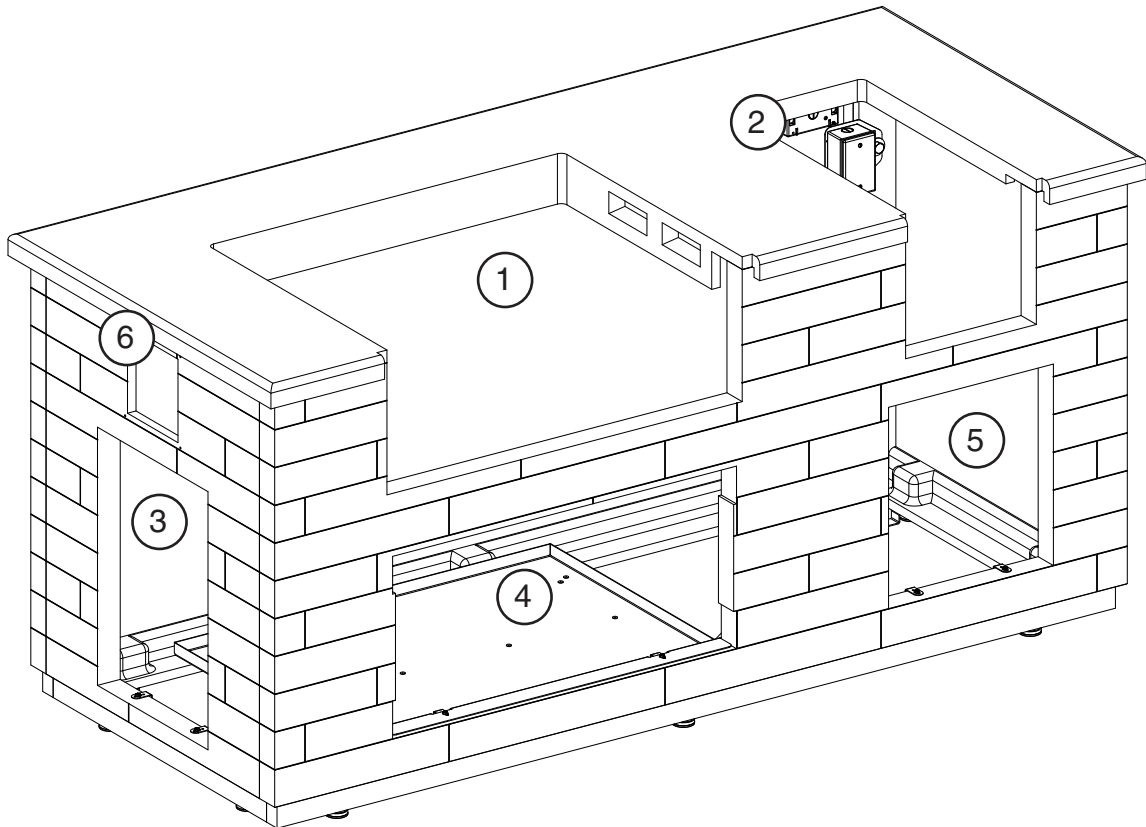


SPECIFICATIONS AND DIMENSIONS (Cont.)

Only Fire Magic grills/griddles and accessories can be used with this island. Below is a list of the options available. Contact your local dealer for ordering information.

	Item	Option(s)
1.	Grill/Griddle	E660i, A660i
2.	Double Side Burner	32815(H), 32817
3.	End Access Door	53820SC(H)-T(L,R), 53920SC(H)-(L,R), 33820-TS(L,R), 33920-S(L,R), 33920-1-S(L,R), 23920-1T-S, 23920-1-S, 23920-S
4.	Under Grill Double Access Doors	53934SC
5.	Double Enclosed Drawers	53802(H)SC, 33802
6.	Stainless Steel Gas Timer Box	5520-11T, 5520-13T

Table 2 - Island Options



PARTS LIST

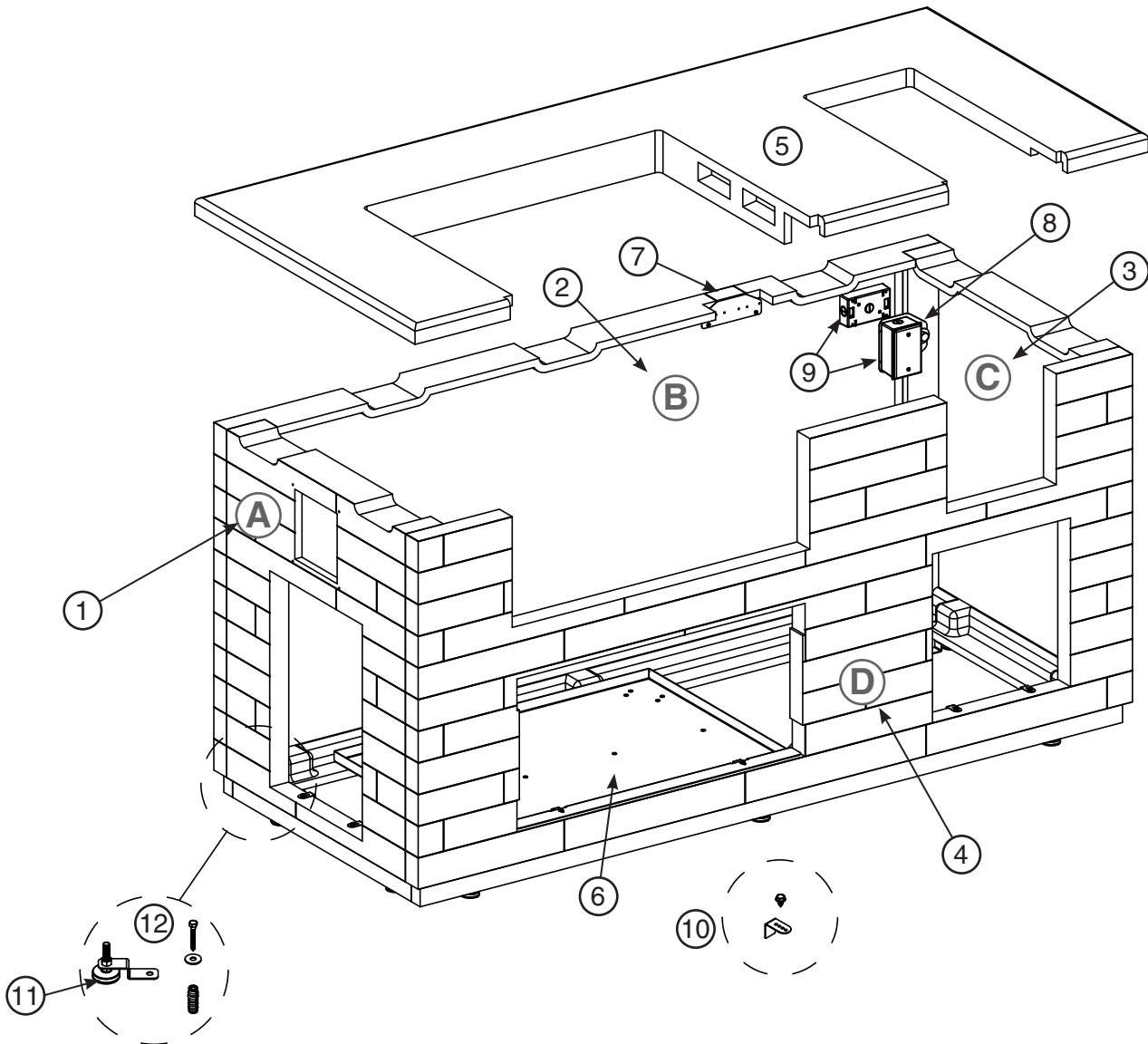
Item	Description	Qty.
1.	Left side wall (A)	1
2.	Rear wall (B)	1
3.	Right side wall (C)	1
4.	Front wall (D)	1
5.	Countertop	1
6.	Floor pan	1
7.	Power supply box bracket (w/ Phillips screws)	1
8.	Outlet bracket	1
9.	Duplex outlet box assy.	2
10.	Door bracket (w/ hex screw)	12
11.	Leveler bolts	12
12.	Floor mounting brackets (w/ hardware)	4
13.	Hardware kit A * †	8
14.	Timer box screws *	4

* not shown
 † each kit contains: (1) 1/2"-13 x 1 1/2" bolt, (1) washer

- Your island is packaged onto 1 pallet.
- The main pieces are labeled (alphabetically) to assist in identification and assembly.

IMPORTANT
 Remove all packing material (including any protective coatings) and discard prior to use.

**COMPONENTS
 ARE HEAVY
 HANDLE WITH CARE**



ASSEMBLY AND INSTALLATION

WARNING: Failure to position the parts in accordance with these diagrams or failure to use only parts specifically approved with this unit may result in property damage or personal injury.

TOOLS REQUIRED

- $\frac{7}{16}$ " , $\frac{1}{2}$ " , $\frac{9}{16}$ " , $\frac{3}{4}$ " open end wrenches
- Power drill with $\frac{5}{16}$ " hex driver and #2 Phillips driver
- Level
- Flathead screwdriver

LOCATION

While following all requirements and safety information in the owner's manuals included with your products, determine and prepare the location of the island (a hard and level surface).

Note: A combustible surface is permitted.

Important: The gas supply and electrical setup must be considered when determining the location of the island. Refer to all owner's manuals included with your products for details (as applicable).

**ASSEMBLY AND INSTALLATION REQUIRES TWO OR MORE PEOPLE.
EXERCISE EXTREME CARE DURING ASSEMBLY AND INSTALLATION.**

ASSEMBLY AND INSTALLATION (Cont.)

ASSEMBLY AND INSTALLATION OVERVIEW

CAUTION: Island components are heavy. **CAREFULLY** handle all components during assembly. **Wear gloves.**

- Fig. 6-1 provides an overall orientation and bolt assembly detail for the island.
- **This section is just an overview, refer to the following step-by-step section for complete assembly (and grill/griddle/accessory installation) details.**

ONLY **HAND TIGHTEN**

BOLTS DURING
STEPS 2!

FULLY TIGHTEN
DURING STEP 3.

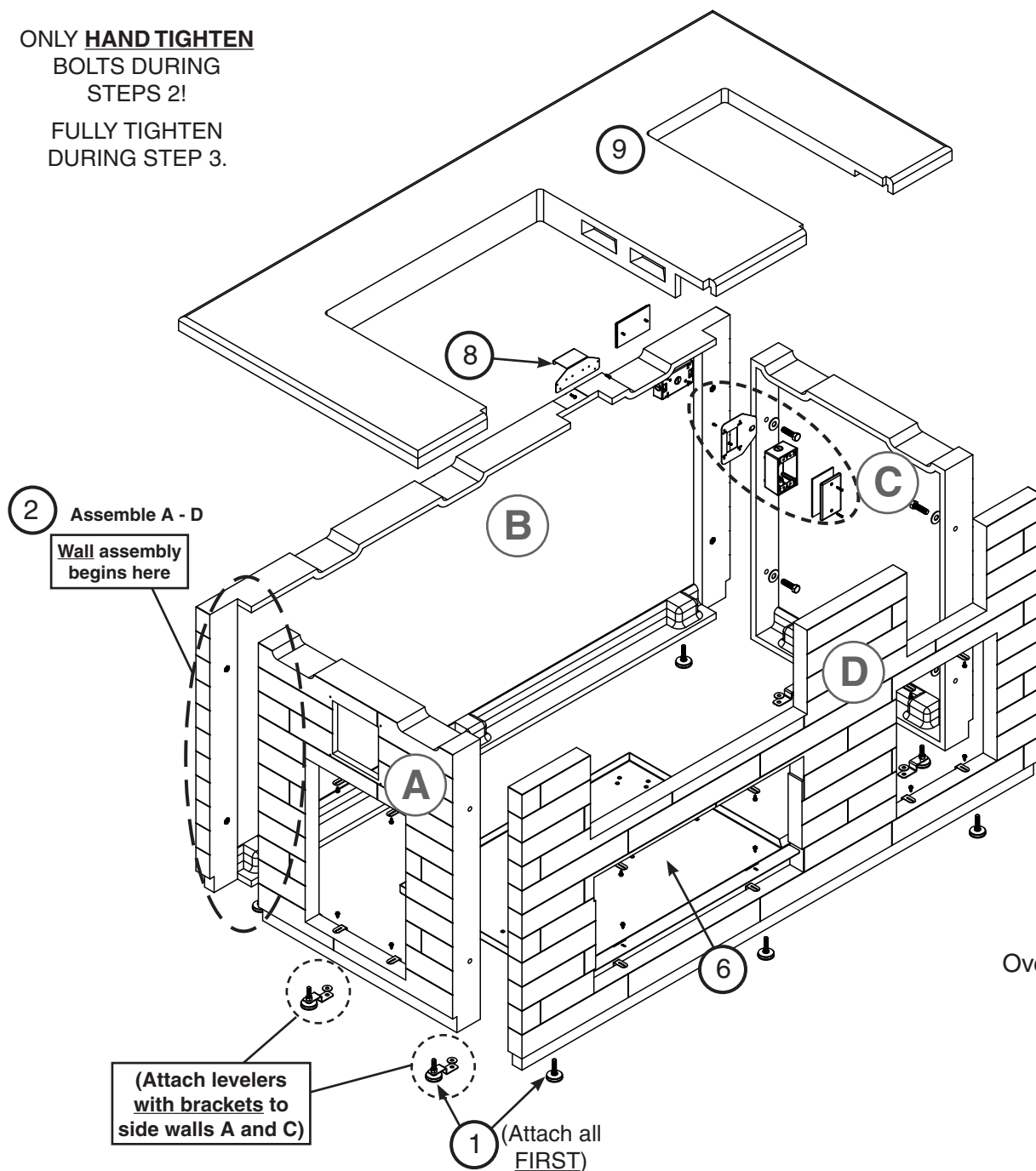


Fig. 6-1
Overall Orientation

ASSEMBLY / INSTALL OVERVIEW

- | | | |
|--|--|---|
| 1. Attach all levelers | 4. Secure island to floor * | 9. Place countertop |
| 2. Assemble walls (A-D) | 5. Install electrical * | 10. Install grill/griddle, double sideburner, and timer box * |
| Note: Install outlet box w/ C | 6. Install floor pan | |
| 3. Adjust levelers to level top surfaces of unit evenly, ensure unit is square, then fully tighten all bolts * | 7. Install doors and drawers * | |
| | 8. Install power supply box (only bracket shown) | |

* not shown

ASSEMBLY AND INSTALLATION (Cont.)

ASSEMBLY AND INSTALLATION - STEP BY STEP

CAUTION: Island components are heavy. **CAREFULLY** handle all components during assembly. **Wear gloves.**

Important: **DO NOT** fully tighten any bolts until the island base is leveled and squared. Hand tighten until instructed to fully tighten.

Note: Various ID660 models are depicted here. Your assembly may slightly vary depending on model selected.

Note: The main pieces are labeled (alphabetically) to assist in identification and assembly.

Attach Levelers

1. Locate the island pieces in an appropriate location (refer back to the LOCATION section if needed).
2. Carefully lay down all pieces that make up the island base and attach the levelers (see Fig. 7-1).

Note: 4 of the levelers have floor mounting brackets pre-installed. Use 2 on each side wall. See Fig. 7-1.

3. Attach the final 2 levelers to the bottom of the floor pan (for future installation).

Important: The levelers are required for ventilation and leveling purposes.

Assemble Side Wall (A) & Rear Wall (B)

Orient the left side wall (A) and rear wall (B) as shown. Carefully align the pilot holes, and insert the hardware (hardware kit A) in the order shown. Hand tighten only. See Fig. 7-2.

Assemble Right Side Wall (C) and Install Outlet Box

1. Orient the right side wall (C) and repeat the hardware installation process (hardware kit A) for the bottom hardware first. Ensure the top pilot holes are also aligned. Hand tighten only. See Fig. 7-3, step 1.

An outlet box assembly is provided and requires installation. Assemble the box as shown using a flathead screwdriver, then repeat the hardware installation process to secure both the top of the right wall and the outlet box in place. Hand tighten only. See Fig. 7-3, step 2 and Fig. 7-4.

Note: Covers are provided for any outlets that will not be used (if applicable).

Installation continued on next page

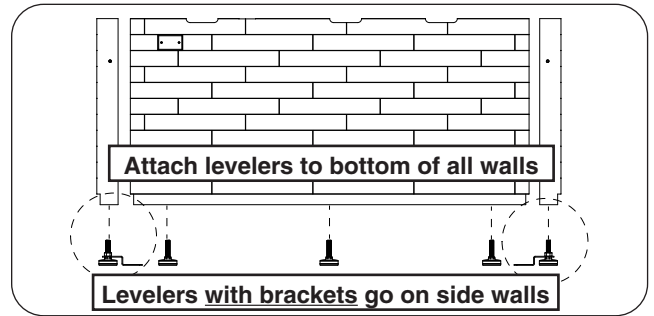


Fig. 7-1 Attach levelers

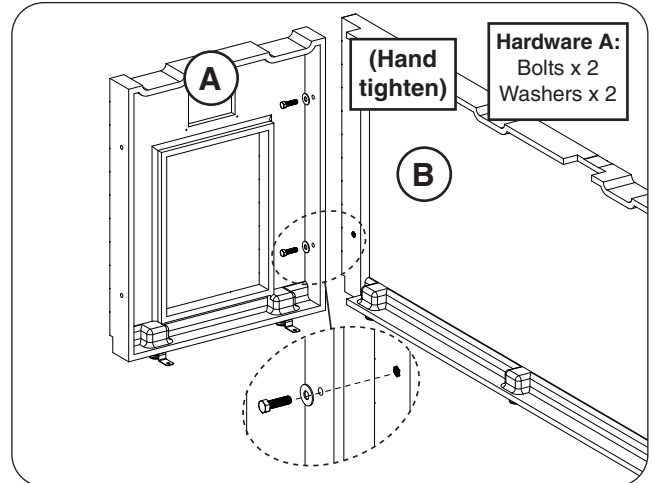


Fig. 7-2 Assemble left side wall and rear wall

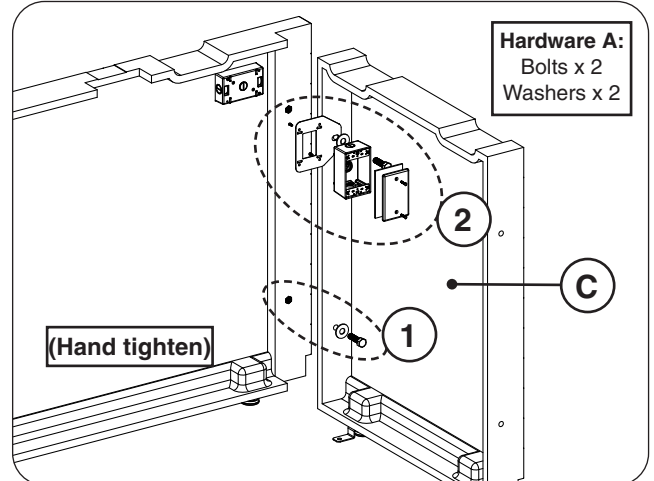


Fig. 7-3 Assemble right side wall and outlet box

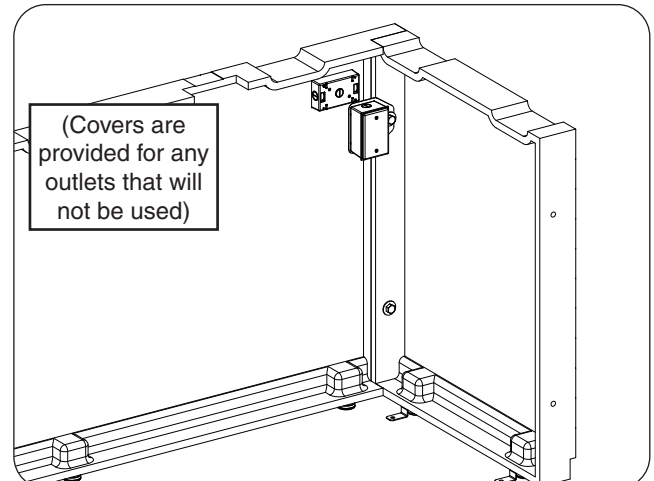


Fig. 7-4 Right side wall and outlet box installed

ASSEMBLY AND INSTALLATION (Cont.)

Assemble Front Wall (D)

Orient the front wall (D) and repeat the hardware installation process (hardware kit A). Hand tighten only. See Fig. 8-1.

Level, Square, & Fully Tighten Island Base

1. Use the level to ensure the top surfaces of the assembly are level. The levelers at the bottom of the island may be adjusted as needed with a $1/2$ " open end wrench. See Fig. 8-2.
2. Check for squareness of the island.
 - a. Measure the X outer dimension, see Fig. 8-3. It should be approximately $81\ 1/2$ ".
 - b. Measure the Y outer dimension, see Fig. 8-3. Carefully adjust the walls as needed to ensure the X & Y dimensions are equal. (The final dimension may slightly vary from that mentioned in step a.)
 - c. Measure the Z outer dimension, see Fig. 8-3. It should be approximately 32".
3. **Once the assembly is level and square, use one $3/4$ " open end wrench (or equivalent) to fully tighten all hardware. DO NOT OVERTIGHTEN.**

Note: Tightening of the hardware may slightly alter the setup. Check once more to ensure the island is level and square, and adjust if needed.

Secure Island to Floor

1. Secure the island to the floor using the 4 pre-installed mounting brackets. Use a $7/16$ " open end wrench and the supplied mounting hardware as appropriate. See Fig. 8-4, A.

Finish by tightening down the brackets. Hold a leveler in place (below bracket) with a $1/2$ " open end wrench, and tighten the nut (above bracket) using a $9/16$ " open end wrench. See Fig. 8-4, B.

Installation continued on next page

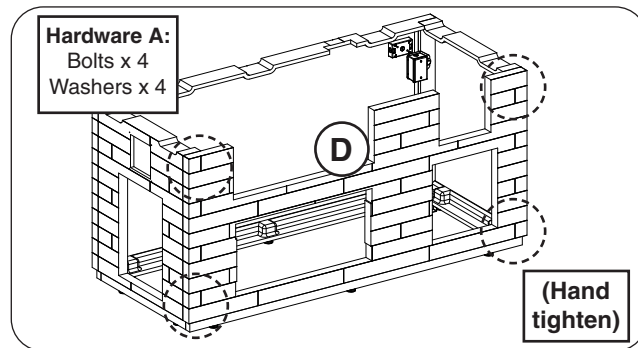


Fig. 8-1 Assemble front wall

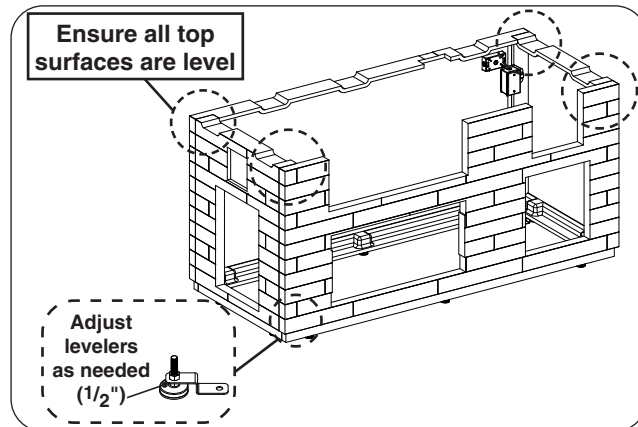


Fig. 8-2 Level assembly

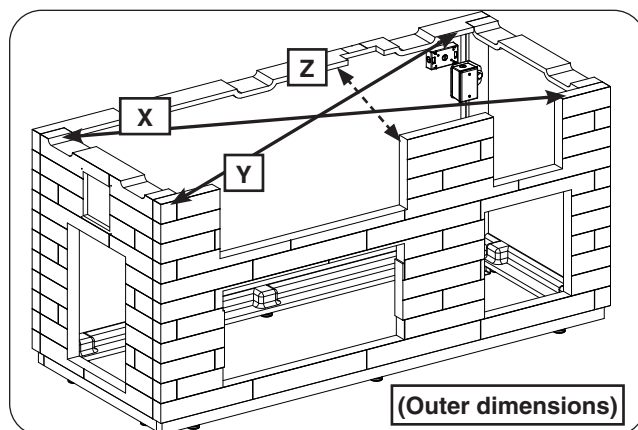


Fig. 8-3 Square unit (then tighten all bolts)

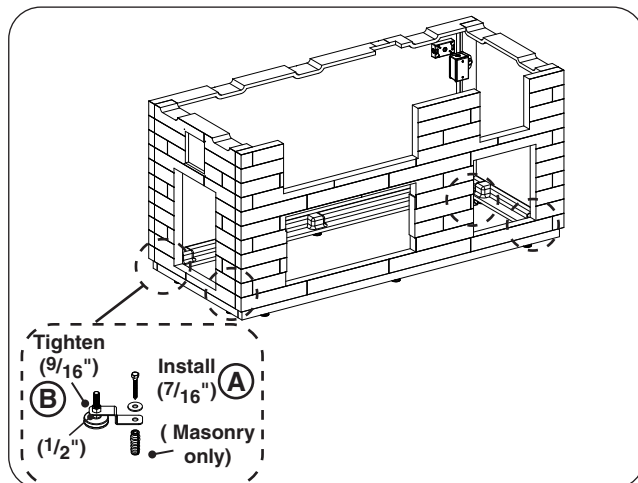


Fig. 8-4 Mount island

Install Electrical

Have a licensed electrician route the electrical setup for your island. Two outlet boxes are available. They are located on the interior of the right rear corner. See Fig. 9-1.

Your installation may vary. **Follow all instructions included with the grill/griddle and accessories to be installed into this island. Observe the National Electric Code and all local codes.**

Install Floor Pan

1. Place floor pan into the double door cutout as shown (see Fig. 9-2).
2. Use a level to ensure the top of the pan is level. The levelers at the bottom of the pan may be adjusted as needed. The floor pan will be secured during double door installation.

Installation continued on next page

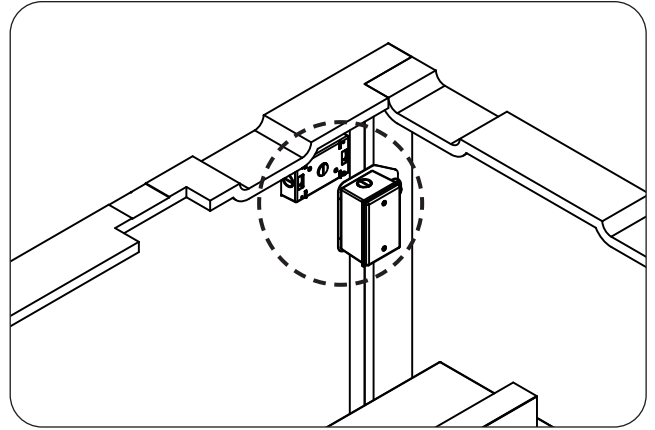


Fig. 9-1 Install electrical (as needed)

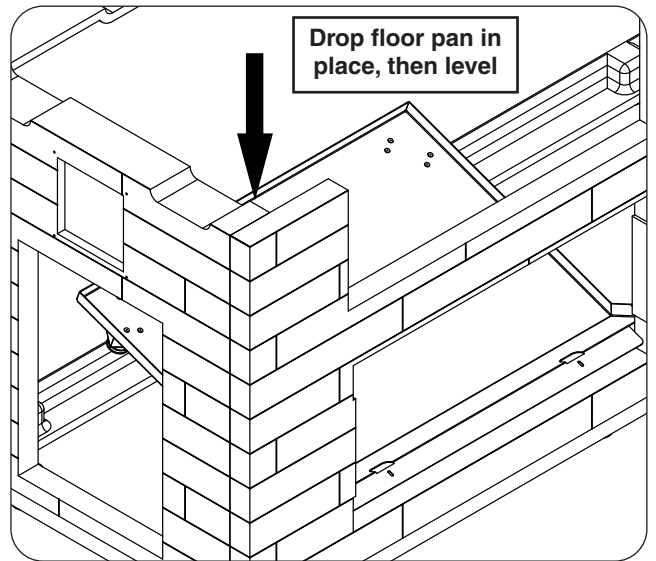


Fig. 9-2 Place floor pan

Install Drawer and Doors

The accessories for your island are purchased separately. Review the instructions provided with your accessories.

Brackets are provided for ease of installation in this island.
Follow the steps below.

1. Insert your unit completely into the appropriate opening. Ensure it is flush against the exterior wall (see Fig. 10-1, and Fig. 10-2 or Fig. 10-3, step 1).
2. The unit will have 2 oblong cutouts (or round holes) on both the top and bottom of its frame. Reach from within the island and insert a bracket where a cutout exists, **below the frame**. See Fig. 10-2 or Fig. 10-3, step 2.

Note: When installing the double door ensure the bracket is inserted **below the frame AND floor pan** (see Fig 10-3, step 2).

3. While squeezing the rear of the bracket and the front of the frame **firmly** against the concrete wall, insert a hex screw and tighten with the power drill and $\frac{5}{16}$ " hex driver (see Fig. 10-2 or Fig. 10-3, step 3). **DO NOT OVERTIGHTEN.**

Note: Certain models may require a second person to hold the bracket against the concrete wall from within the island enclosure.

4. Repeat this process for the remaining brackets and the remaining accessories in the island.

Note: Only the cutouts in the top and bottom of the frames require brackets.

Installation continued on next page

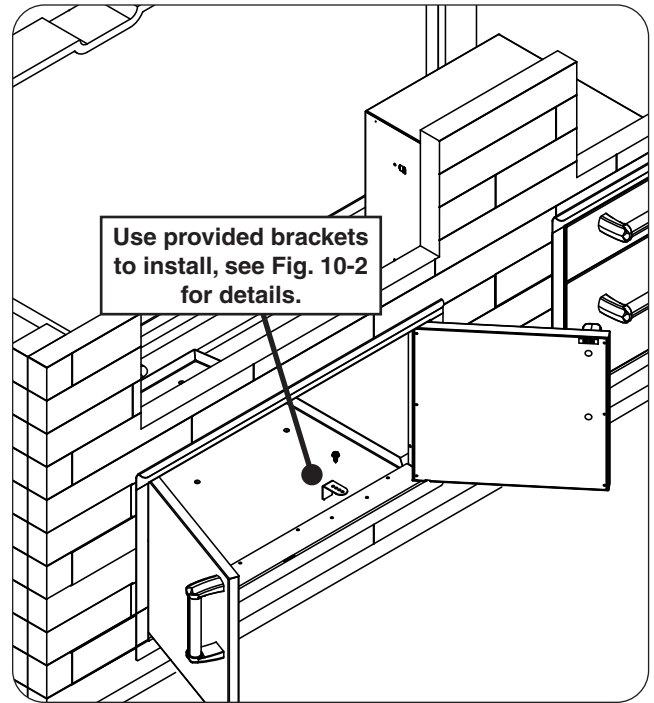


Fig. 10-1 Door/drawer install detail

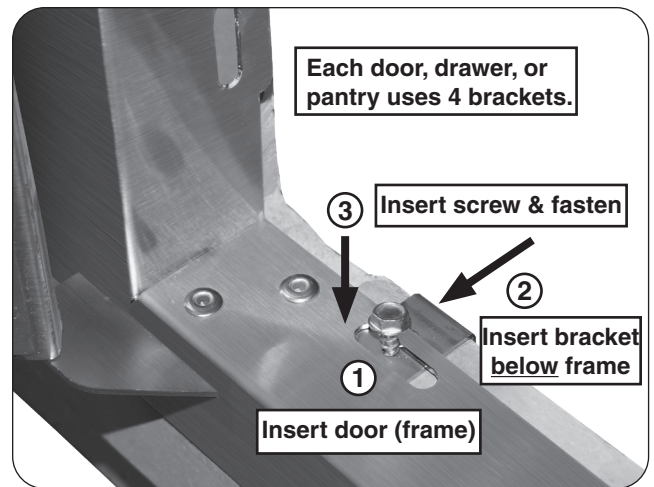


Fig. 10-2 Door/drawer install detail

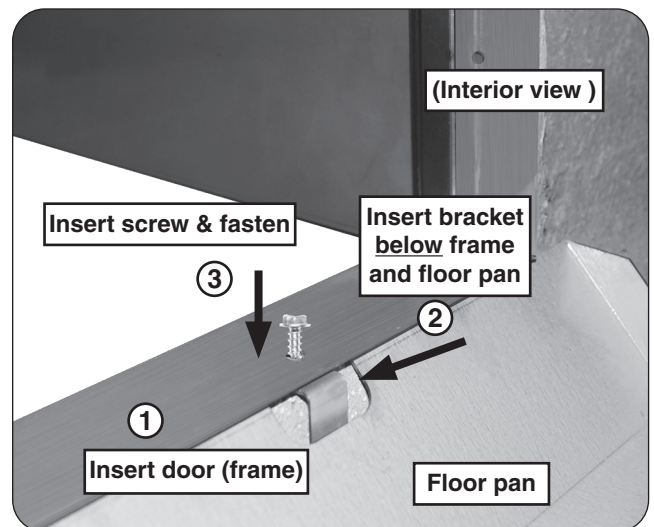


Fig. 10-3 Door/floor pan install detail

ASSEMBLY AND INSTALLATION (Cont.)

Install Power Supply Box

A power supply box is included with your grill/griddle and requires installation.

CAUTION: Refer to the grill/griddle owner's manual for all safety information regarding the power supply box.

A bracket is provided for installation in this island. Follow the steps below.

1. **First** place the power supply box bracket over the rear wall, in the groove just to the left of the outlet box (see Fig. 11-1).
2. Align the pilot holes on the power supply box with the holes on the bracket, then insert the two Phillips screws and tighten with the power drill and #2 Phillips driver (see Fig. 11-1). **DO NOT OVERTIGHTEN.**

Note: Power supply box design may vary.

Place Countertop

1. Apply silicone along the top of the island (see Fig. 11-2, step 1).
2. Place the countertop onto the island as shown in Fig. 11-2, step 2. (Be sure to align the cutouts in the countertop with the openings in the front wall.)

Install Grill/Griddle, Double Sideburner, and Timer Box

The grill/griddle, double sideburner, and timer box for your island are purchased separately. Follow all instructions provided with your grill/griddle, double sideburner, and timer box for installation. See Fig. 11-3 for install locations.

Note: When installing the timer box, use the screws provided with the island.

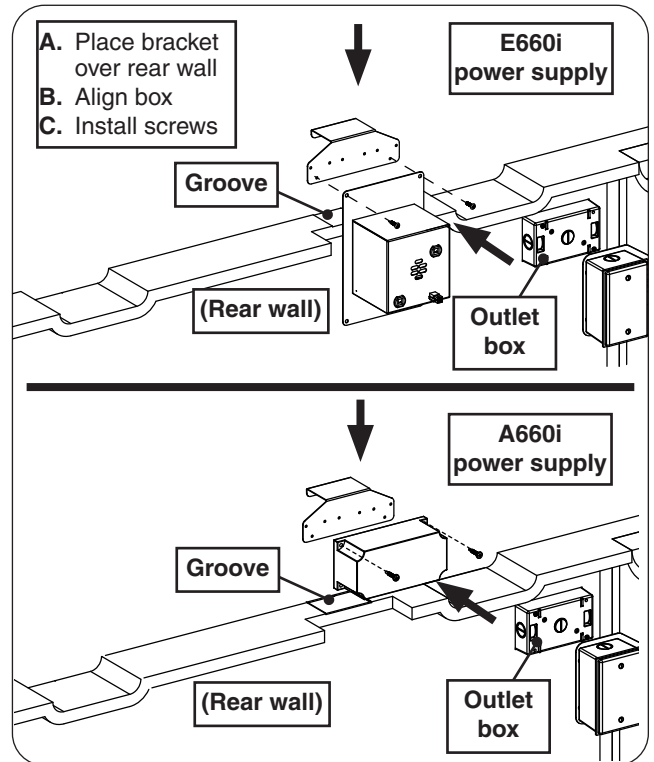


Fig. 11-1 Install power supply box

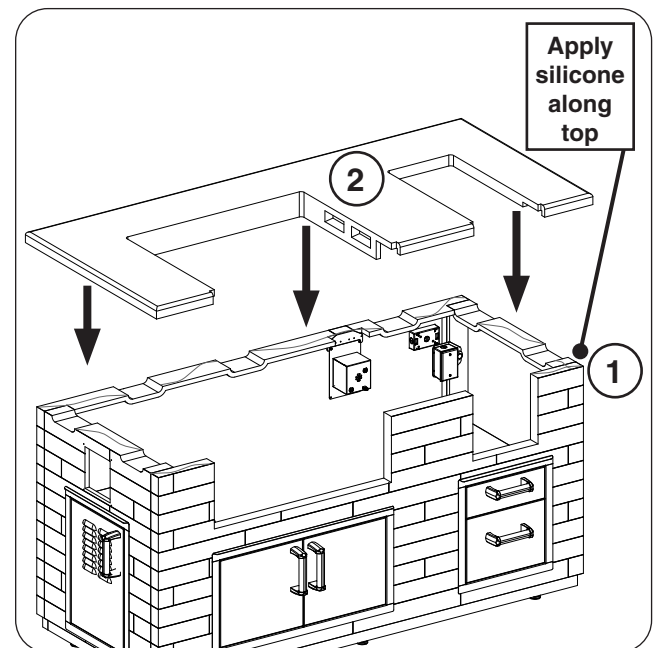


Fig. 11-2 Place countertop

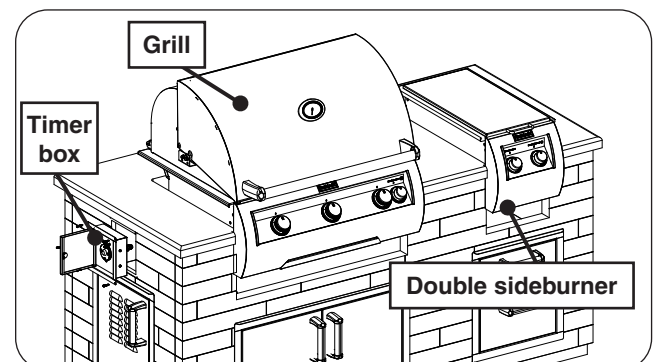


Fig. 11-3 Install grill, sideburner, and timer box

CARE AND CLEANING

- **Keep the vent openings and surrounding area of the of the island clear and free at all times.**
- For grill/griddle and accessory care and cleaning, refer to the owner's manuals provided with the units.

CONCRETE COMPONENTS

As with any surface, concrete components require regular maintenance and care. Certain guidelines must be followed to preserve the concrete's appearance and structural integrity.

- Use trivets to protect your countertop from high-heat.
- **Scratches may occur due to usage.** To minimize, avoid striking or dragging heavy, rough, or sharp objects across the countertop. Use a cutting board when using knives.
- **Spotting and hairline cracks may occur due to the nature of the product and are not considered a manufacturing defect.**
- **Concrete products are porous and susceptible to discoloration from liquids (especially oils and acidic substances).** During use, clean up any spills immediately to prevent any possible staining or damage to the finish. Avoid allowing water (or any liquid / substance) to stand on the surface. Using coasters for drinks is highly recommended.
- After each use, clean up any food particles or debris.
- **To clean the concrete, first wash with a mild soap and water solution. For stubborn stains, a vinyl brush may be used. Allow to dry. Annually, follow up with a masonry sealer in order to preserve the finish.**
- It should be noted that, like natural stone, concrete products will develop a patina when left outside. No two concrete products are identically the same and the finish will vary.