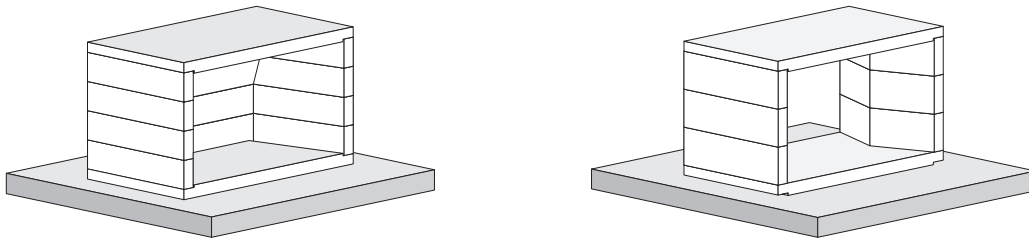




# VENT FREE/SEE-THROUGH VENT FREE FIREPLACE INSTALLATION, SPECIFICATION AND OPERATION MANUAL

LISTED MASONRY FIREPLACE SYSTEM  
MODEL FIREROCK VENT FREE/SEE-THROUGH VENT FREE  
30", 36", 42", 48" MODULAR FIREPLACE  
**ANSI Z21.91 COMPLIANT**



**IMPORTANT: Read the entire manual before beginning construction.**

Contents of this manual may change without prior notification

## ▲ WARNING

For use only with a listed gas-fired unvented decorative room heater not to exceed 40,000 BTU/H. **Do not build a wood fire.**

**IMPORTANT:** This manual contains product usage guidelines, in-field application rules, installation steps, and operating and maintenance instructions for the FireRock Vent Free/See-Through Vent Free pre-engineered masonry fireplace kit. This manual should become the property of and be reviewed by all current and future users of this product. It is the responsibility of the general contractor and the installer to ensure that the instructions set forth in this manual are followed exactly. It is also the responsibility of the general contractor to provide adequate clearance to combustibles (see page 10) from all fireplace surfaces as specified herein.

Before installing this product, please consult with local building and zoning authorities regarding the need for proper permitting.

## ▲ WARNING

If the information in this manual (including installation instructions) is not followed exactly, a fire or explosion may result, causing property damage, personal injury, or loss of life.

**Installer: Leave this manual with the appliance.  
Consumer: Keep these instructions for future use.**

### MANUFACTURING:

3620 Avenue C  
Birmingham, AL 35064

PHONE: (205) 639-5000

### ADMINISTRATIVE:

1500 1st Ave N #75  
Birmingham, AL 35203

TOLL-FREE: (888) 876-1025

FAX: (888) 886-3473

**THIS PAGE INTENTIONALLY LEFT BLANK**

# TABLE OF CONTENTS

Important Safety Information .....	4
Materials and Equipment List .....	5
Intended Use Statement .....	6
Installation Considerations .....	7
Warnock Hersey Listing Labels .....	8
Fireplace Dimensions .....	9
Clearance to Combustibles .....	10
Rough Framing Dimensions .....	11
Fireplace Installation .....	12-19
Foundation .....	12
Mixing and Applying Mortar .....	13
Firebox Assembly .....	14-16
Placing the Top Plate .....	17
Firebrick Installation .....	18-19
Typical Gypsum Board Application .....	20
Operating Instructions .....	21-22
Vent Free Parts Dimensions .....	23-25
See-Through Vent Free Parts Dimensions .....	26-27
Terms and Conditions .....	29-33

# IMPORTANT SAFETY INFORMATION

**NOTE:** This is important safety information for the installation of this fireplace.  
For safety information regarding the operation of this fireplace, see pages 21-22.

The FireRock Vent Free/See-Through Vent Free fireplace is a modular system designed to be assembled in field using FireRock Adhesive Mortar. Each component is designed for a specific part of the firebox, smoke chamber and flue design, and therefore only one means of assembly is possible. A minimum 1 ¼" thick firebrick lining is required (compliant with ASTM 1261).

## ▲ WARNING

Any application other than the "intended use" stated herein is in violation of the manufacturer's instructions and is hereby prohibited. Such violations may cause immediate hazard, property damage, or loss of life, and will void all liabilities to the manufacturer and will void all warranties, explicit or implied.

Read the installation and operating instructions carefully and in full to be sure you understand them prior to installation. If the information in this manual (including installation instructions) is not followed exactly, a fire or explosion may result, causing property damage, personal injury, or loss of life.

1. Check local building codes pertaining to fireplaces and fireplace installation. All installations must comply with local, regional, state and national building codes and regulations. In the absence of local codes, installation must comply with the National Fuel Gas Code, *ANSI Z223.1/NFPA 54*.
2. Maintain the stated minimum clearance to combustibles (see page 10) and do not violate any specific installation requirement.
3. Do not pack required air spaces with insulation or other materials.
4. Foundations and footings must meet local building code and be approved by the local building authority. For any foundation design and load requirements, check with a structural engineer.
5. Do not use a fireplace insert or other product not specified for use with a fireplace with the reflective properties of this product.
6. Do not build a wood fire in the FireRock Conventional Vent Free or See-Through Vent Free fireplace. These fireplaces are for use with decorative type unvented room heaters only.
7. The Conventional Vent Free fireplace has not been tested for use with doors. To reduce the risk of fire or injury, do not install doors on this model.
8. Fireplace screens, or equivalent means designed to prevent unintentional access into the firebox interior, must be provided.
9. Do not burn construction debris of any kind in this fireplace.
10. Overfiring can permanently damage the system.
11. Only unvented gas logs that are listed by ANSI Z21.11.2 can be used in this fireplace.

## ▲ WARNING

Carefully review the instructions supplied with the decorative type unvented room heater for the minimum fireplace size requirement. **Do not install an appliance in this firebox unless this firebox meets the minimum dimensions required for the installation.**

# MATERIALS AND EQUIPMENT LIST

## REQUIRED MATERIALS & EQUIPMENT

- Clean water
- Trowel
- 5 gallon bucket
- Level
- Plastic shims
- FireRock Adhesive Mortar
- Firebrick
- ANSI Z21.11.2 listed gas log set  
(max. 40,000 BTU)

**NOTE:** Some of the components of this fireplace are extremely heavy and should not be lifted by one person. Because of this, realize that building this fireplace is at minimum a two-man job.

## VENT FREE MASONRY FIREPLACE SYSTEM COMPONENTS

	30"	36"	42"	48"
38" Base plate	1			
44" Base plate		1		
50" Base plate			1	
56" Base plate				1
Firebox side	8	8	8	8
Back wall 30" (Courses 1 & 2)	2			
Back wall 30" (Course 3) <sup>*</sup>	1			
Back wall 30" (Course 4) <sup>*</sup>	1			
Back wall 36" (Courses 1 & 2)		2		
Back wall 36" (Course 3) <sup>*</sup>		1		
Back wall 36" (Course 4) <sup>*</sup>		1		
Back wall 42" (Courses 1 & 2)			2	
Back wall 42" (Course 3) <sup>*</sup>			1	
Back wall 42" (Course 4) <sup>*</sup>			1	
Back wall 48" (Courses 1 & 2)				2
Back wall 48" (Course 3) <sup>*</sup>				1
Back wall 48" (Course 4) <sup>*</sup>				1
38" Top Plate	1			
44" Top plate		1		
50" Top plate			1	
56" Top plate				1
<b>TOTAL</b>	<b>14</b>	<b>14</b>	<b>14</b>	<b>14</b>

See page 23-25 for component specifications

<sup>\*</sup>The Conventional Vent Free fireplace can also accommodate a straight back wall.

## SEE-THROUGH VENT FREE MASONRY FIREPLACE SYSTEM COMPONENTS

	30"	36"	42"	48"
38" Base plate	1			
44" Base plate		1		
50" Base plate			1	
56" Base plate				1
Firebox side	6	6	6	6
38" Top Plate	1			
44" Top plate		1		
50" Top plate			1	
56" Top plate				1
<b>TOTAL</b>	<b>8</b>	<b>8</b>	<b>8</b>	<b>8</b>

See pages 26-27 for component specifications

# INTENDED USE STATEMENT

**NOTE:** Illustrations in this manual are not to scale and are intended to show “typical” installations. The FireRock 42” Conventional Vent Free model is shown throughout this manual, unless otherwise noted. Nominal dimensions are given for design and framing reference only, since actual installations may vary due to job specific designs and preferences. Always maintain the stated minimum clearance to combustibles and do not violate any specific installation requirement.

The fireplaces are tested and listed by Intertek Testing Service to ANSI Z21.91.

## ▲ WARNING

The FireRock Conventional Vent Free and See-Through Vent Free fireplaces are designed to burn gas only. They cannot be used as a wood burning fireplace. Only unvented gas logs that are listed by ANSI Z21.11.2 can be used in this fireplace. Do not use wood or other solid fuel in the FireRock Conventional Vent Free or See-Through Vent Free fireplaces.

## ▲ WARNING

Burning some fuels can be hazardous due to the possibility of producing carbon monoxide, which is both invisible and odorless. Overexposure to carbon monoxide can lead to illness and death. It is strongly recommended to install smoke and carbon monoxide detectors wherever fireplaces are in use.

This fireplace is intended for use as a supplemental heat source only and is not intended for heavy use as a primary heating system. Overfiring, abusive burning, or mistreatment will void any warranty claims.

Do not use a fireplace insert or other product not specified for use with a fireplace with the reflective properties of this product.

## NOTICE

Any fireplace insert must be approved, in writing, by FireRock Products, LLC. Failure to heed this warning could result in failure of this product and/or the insert product.

Always obtain necessary permits from proper authorities in local jurisdictions and comply with all local building codes.

All work performed on, near and adjoining the fireplace and chimney installation must meet or exceed the specifications and requirements in this manual and the prevailing local building code. Subsequent renovations and/or additions of cabinets and storage spaces in the enclosure surrounding the fireplace are also limited to the specifications in this manual and to the prevailing local building code.

Modifications to fireplace components not mentioned in this manual may void warranty claims, listing and approvals, and could result in an unsafe and potentially dangerous installation. Alterations to the firebox are allowed with prior written approval and instruction from FireRock. The installer indemnifies, will defend and hold harmless the manufacturer from all claims and losses, and under no circumstances will manufacturer be liable for damages of any kind or nature, whether foreseeable or not, arising out of or relating to any modifications of the fireplace by the installer.

## ▲ WARNING

The Conventional Vent Free fireplace has not been tested for use with doors.

The FireRock Conventional Vent Free and See-Through Vent Free fireplaces are approved for Indoor and Outdoor use. Maintain stated clearance to combustibles for indoor and outdoor use.

# INSTALLATION CONSIDERATIONS

## A. COMBUSTION AIR

Always ensure that an adequate supply of replacement air from outside of the house is accessible to the fire to support normal combustion. For more information about adequate combustion and ventilation air, refer to the unvented room heater's installation instructions.

## B. BROKEN COMPONENTS

Components that become broken due to poor handling or shipping should be mortared back together providing the breaks or cracks are clean and original alignment and dimension can be maintained. Components broken into multiple pieces or fragments must be discarded and replaced. When in doubt about a component's usability, consult your FireRock distributor or authorized FireRock representative for advice. You may also call the FireRock Technical Support Desk toll-free at 888.876.1025.

## C. GAS LINE APPLICATIONS

The FireRock fireplace may be drilled through with an ordinary masonry drill bit to accommodate a natural gas connection. This natural gas connection may be used to 1) incorporate an automatic shut-off device and/or 2) comply with the Standard for Decorative gas appliances for installation in Vent Free Fireplaces, ANSI Z21.11.2. The decorative gas appliance should be installed in accordance with the National Fuel Gas Code, ANSI Z223.

### ▲ WARNING

Only unvented gas logs that are listed by ANSI Z21.11.2 can be used in this fireplace. This fireplace has not been tested with a vented gas log set. To reduce the risk of fire or injury, do not install an unvented gas log set into this fireplace.

## HINTS

1. If this is your first FireRock installation, it would only take a few extra minutes to "dry stack" (erect without mortar) your firebox to gain a better understanding of how the components go together. Then disassemble and erect using FireRock Adhesive Mortar.
2. Use a level to ensure all components are level by course and plumb as you erect your fireplace and chimney.
3. Ensure your base plate is level and at a proper elevation so the finished hearth height (including firebrick lining) is correct in relationship to your finished floor height.
4. Realize that this is at minimum a two-man job. Some of these components are too heavy for one person to lift.
5. **Always install in accordance with local codes.**

# WARNOCK HERSEY LISTING LABELS



**FIRE ROCK**  
BUILDING MATERIALS



Intertek  
W/N 13351



**LISTED VENTLESS FIREBOX ENCLOSURE**  
MODEL FireRock  30 VF  36 VF  42 VF  48 VF  
**CERTIFIED TO ANSI Z21.91-2017**

FOR USE WITH APPROVED ANSI Z21.11.2  
DECORATIVE TYPE UNVENTED ROOM HEATERS

**WHI-**

SEE FIRE ROCK'S INSTALLATION AND  
OPERATING INSTRUCTIONS FOR THIS MODEL  
REFER TO THE INTERTEK DIRECTORY OF BUILDING PRODUCTS  
([HTTPS://BPDIRECTORY.INTERTEK.COM](https://bpdirectory.intertek.com)) FOR DETAILED INFORMATION.

FIREPLACE SCREENS, OR EQUIVALENT MEANS DESIGNED TO PREVENT UNINTENTIONAL ACCESS  
INTO THE FIREBOX INTERIOR, MUST BE PROVIDED. FOR USE WITH LISTED ANSI Z21.11.2 UNVENTED  
DECORATIVE ROOM HEATERS NOT TO EXCEED 40,000 BTU/HR (11 723 W).

### CLEARANCE TO COMBUSTIBLES

UNIT TO FLOOR	0 IN.	UNIT TO BACKWALL	0 IN.
UNIT TO SIDE FRAMING	0 IN.	UNIT TOP AT REAR TO FRAMING	0 IN.
UNIT TOP AT FRONT TO FRAMING	3 IN.	UNIT OPENING TO MANTLE	12 IN.
UNIT OPENING TO ADJACENT WALL	6 IN.		

MANUFACTURED BY: FIRE ROCK PRODUCTS, LLC; 3620 AVENUE C; BIRMINGHAM, AL 35064



**FIRE ROCK**  
BUILDING MATERIALS



Intertek  
W/N 14915

**LISTED VENTLESS SEE-THRU (2 SIDED) FIREBOX ENCLOSURE**  
MODEL FireRock  30 VF-ST  36 VF-ST  42 VF-ST  48 VF-ST  
**CERTIFIED TO ANSI Z21.91-2017**

FOR USE WITH APPROVED ANSI Z21.11.2 DECORATIVE TYPE UNVENTED ROOM HEATERS

**WHI-**

SEE FIRE ROCK'S INSTALLATION AND OPERATING INSTRUCTIONS FOR THIS MODEL  
REFER TO THE INTERTEK DIRECTORY OF BUILDING PRODUCTS  
([HTTPS://BPDIRECTORY.INTERTEK.COM](https://bpdirectory.intertek.com)) FOR DETAILED INFORMATION.

### CLEARANCE TO COMBUSTIBLES

UNIT TO FLOOR	0 IN.	UNIT TO BACKWALL	N/A
UNIT TO SIDE FRAMING	0 IN.	UNIT TOP AT REAR TO FRAMING	0 IN.
UNIT TOP AT FRONT TO FRAMING	3.5 IN.	UNIT OPENING TO MANTLE	12 IN.

FIREPLACE SCREENS, OR EQUIVALENT MEANS DESIGNED TO PREVENT UNINTENTIONAL ACCESS  
INTO THE FIREBOX INTERIOR, MUST BE PROVIDED. FOR USE WITH LISTED ANSI Z21.11.2 UNVENTED  
DECORATIVE ROOM HEATERS NOT TO EXCEED 40,000 BTU/HR (11 723 W).

MANUFACTURED BY: FIRE ROCK PRODUCTS, LLC; 3620 AVENUE C; BIRMINGHAM, AL 35064

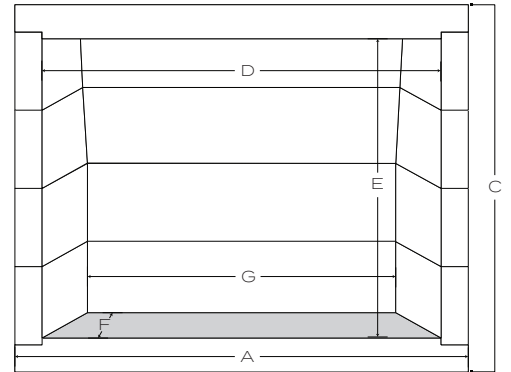


# FIREPLACE DIMENSIONS

## VENT FREE FIREPLACE

	DIMENSION	30"	36"	42"	48"
A	OVERALL WIDTH	38"	44"	50"	56"
	OVERALL DEPTH	28.5"	28.5"	28.5"	28.5"
C	FIREBOX HEIGHT	40.5"	40.5"	40.5"	40.5"
D	OPENING WIDTH*	32.5"	38.5"	44.5"	50.5"
E	OPENING HEIGHT*	33"	33"	33"	33"
F	FIREBOX DEPTH	22.5"	22.5"	22.5"	22.5"
G	WIDTH AT REAR	22"	28"	34"	40"

*\*before firebrick lining*



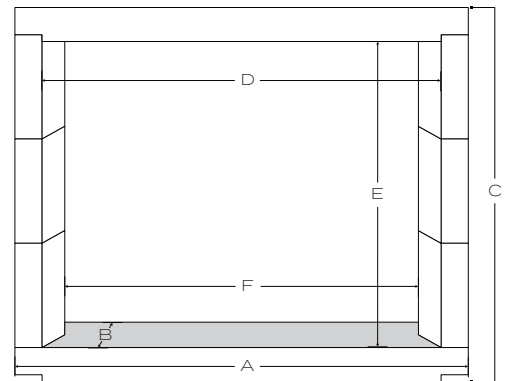
**FIGURE 1.1**

VENT FREE FIREPLACE

## SEE-THROUGH VENT FREE FIREPLACE

	DIMENSION	30"	36"	42"	48"
A	OVERALL WIDTH	38"	44"	50"	56"
B	OVERALL DEPTH	28.5"	28.5"	28.5"	28.5"
C	FIREBOX HEIGHT	41.5"	41.5"	41.5"	41.5"
D	OPENING WIDTH*	32.5"	38.5"	44.5"	50.5"
E	OPENING HEIGHT*	34.5"	34.5"	34.5"	34.5"
F	WIDTH AT FIREBOX CENTER	22"	28"	34"	40"

*\*before firebrick lining*



**FIGURE 1.2**

SEE-THROUGH VENT FREE FIREPLACE

# CLEARANCE TO COMBUSTIBLES

Opening to Side wall	6"
Opening to Combustible Mantle with 8" Depth	12"
Unit to Floor	0"
Unit Top Side Framing	0"
Unit Top at Front to Framing	3.5"
Unit Top at Rear to Framing	0"

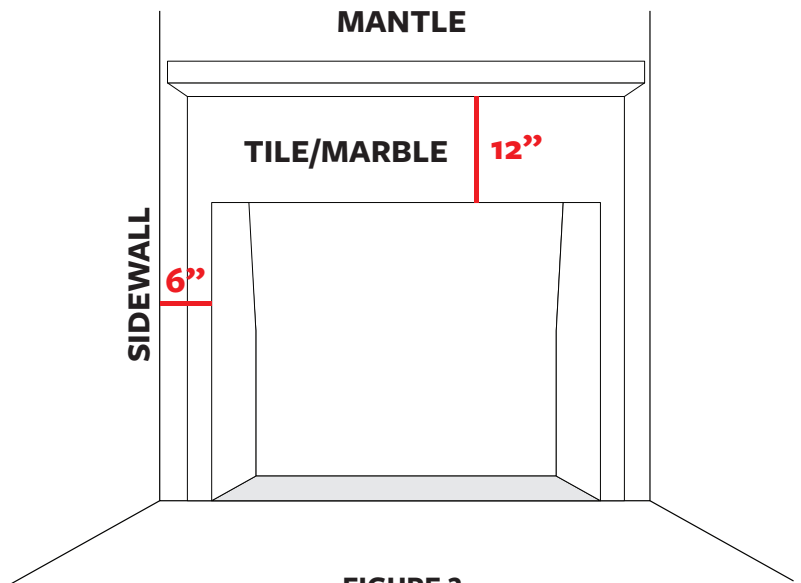


FIGURE 2

## ▲ WARNING

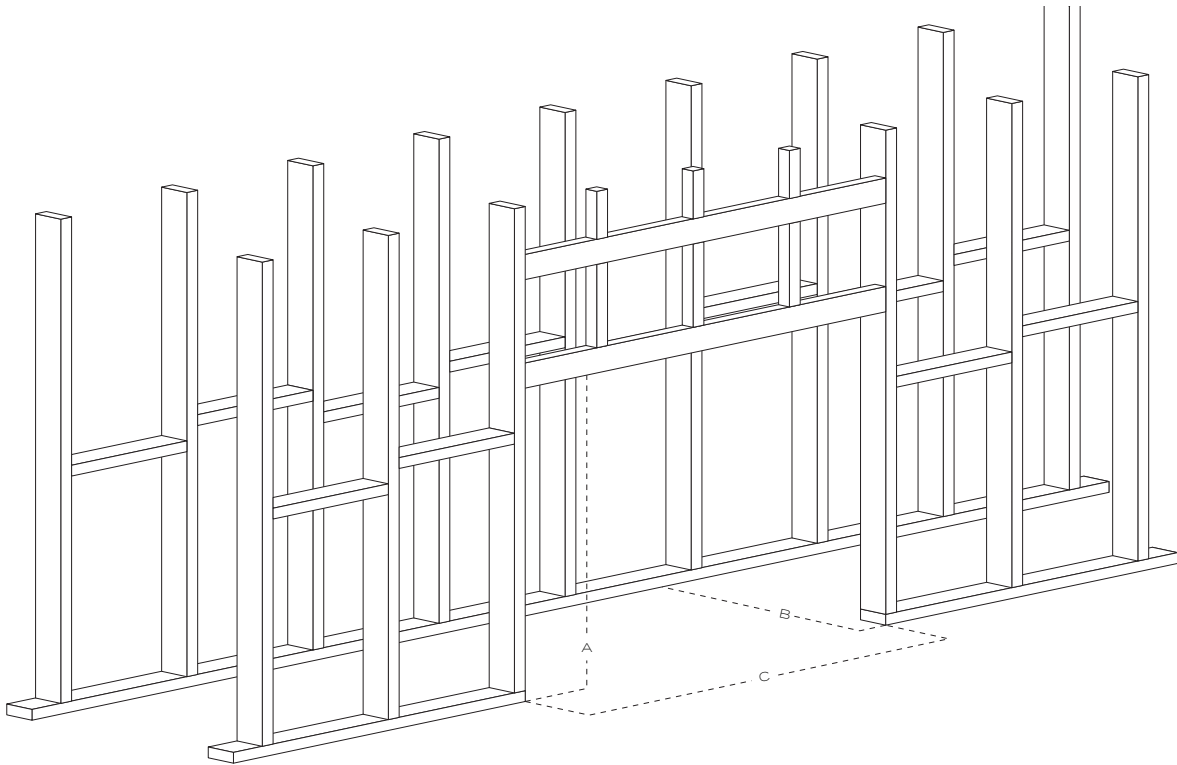
Failure to maintain stated minimum clearance to combustibles may result in a fire or explosion, causing property damage, personal injury, or loss of life.

**NOTE:** “Combustibles” are defined as “normal construction materials” and are considered to be: wood framing materials, particle board, mill board, plywood sub-flooring, plywood paneling, wood flooring, and drywall.

## ▲ WARNING

Do not pack required air spaces with insulation or other materials. Using insulation or other materials in required air spaces may result in a fire or explosion, causing property damage, personal injury, or loss of life.

# ROUGH FRAMING DIMENSIONS



**FIGURE 3**

## VENT FREE FRAMING

	30"	36"	42"	48"
A	44"	44"	44"	44"
B	29"	29"	29"	29"
C	39"	45"	51"	57"

## SEE-THROUGH VENT FREE FRAMING

	30"	36"	42"	48"
A	44.5"	44.5"	44.5"	44.5"
B	29"	29"	29"	29"
C	39"	45"	51"	57"

The numbers listed are the framing dimensions recommended by FireRock, which add  $\frac{1}{2}$ " of air space to the required clearances. Always maintain the stated minimum clearance to combustibles for this unit.

### **▲ WARNING**

Failure to maintain stated minimum clearance to combustibles on page 10 may result in a fire or explosion, causing property damage, personal injury, or loss of life.

For ease of installation, it is recommended to not install framing header until after firebox is installed.

Rough framing dimension "A" includes the  $3\frac{3}{4}$ " thick base plate. Dimension "A" should be reduced by  $3\frac{3}{4}$ " if the base plate is eliminated to create a "flush hearth." A raised hearth requires additional rough opening height for dimension A equal to the height of the raised hearth detail.

# FIREPLACE INSTALLATION

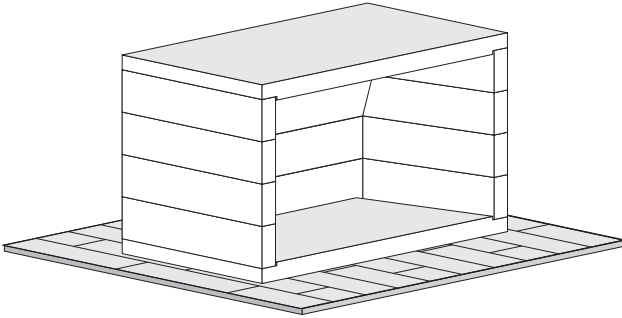
## STEP 1: FOUNDATION

The FireRock Vent Free/See-Through Vent Free fireplace may be erected directly on a noncombustible base.

If the design calls for the enclosure to be installed on carpeting, tile, or a combustible material other than wood flooring, the enclosure should be installed on a metal or wood panel extending the full width and depth of the enclosure.

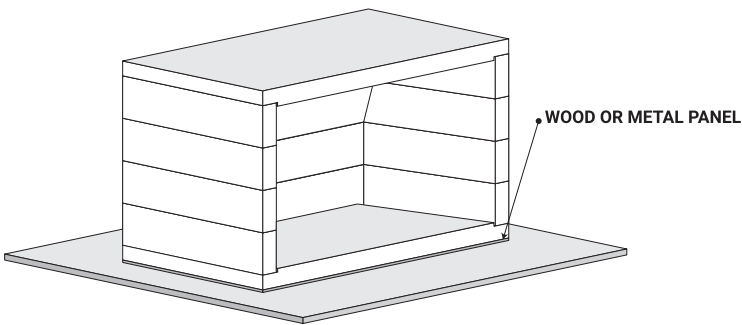
### **▲ WARNING**

Never place the vent free fireplace on a combustible floor without the base plate.



**FIGURE 4.1**

*VENT FREE FIREPLACE ON WOOD FLOORING*



**FIGURE 4.2**

*VENT FREE FIREPLACE ON COMBUSTIBLE MATERIAL  
OTHER THAN WOOD FLOORING*

# FIREPLACE INSTALLATION

## STEP 2: MIXING AND APPLYING MORTAR

### FIREROCK ADHESIVE MORTAR

FireRock Adhesive Mortar must be used when building the FireRock fireplace for your FireRock warranty to be valid. Use of other mortar will void your FireRock warranty.

This mortar is available from your FireRock dealer or distributor. This specially formulated mortar is a low sand polymer modified with heat resistant additives and is designed to work as a “glue” rather than a typical joint provider.

### MIXING THE MORTAR

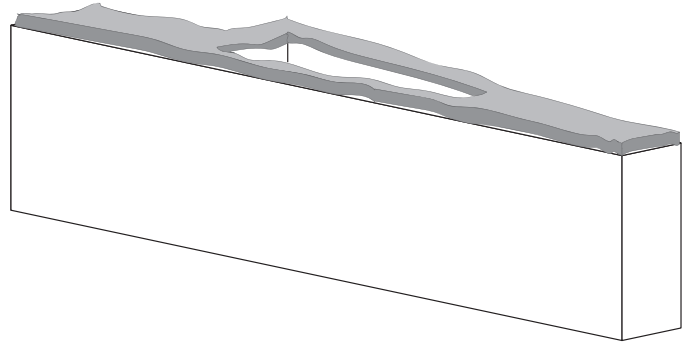
Mix FireRock Adhesive Mortar with clean water according to the instructions on the bag until it results in a “toothpaste” consistency, free of lumps or dry pockets. Be sure it is not too thin or runny to ensure maximum strength. Use only clean water when mixing FireRock Adhesive Mortar. Do not use spirits or anti-freeze agents. Do not apply if temperatures are below 40 °F or will be within a 24 hour period.

### APPLYING THE MORTAR

It is appropriate to use a trowel or grout bag to apply the mortar to firebox and smoke chamber joints. These joints should be **COMPLETELY COVERED BY ½” - 1” OF MORTAR** (Figure 5.1) and the components stacked so as to result in a ¼” to ⅛” joint. The excess mortar should push (ooze) out and be scraped away.

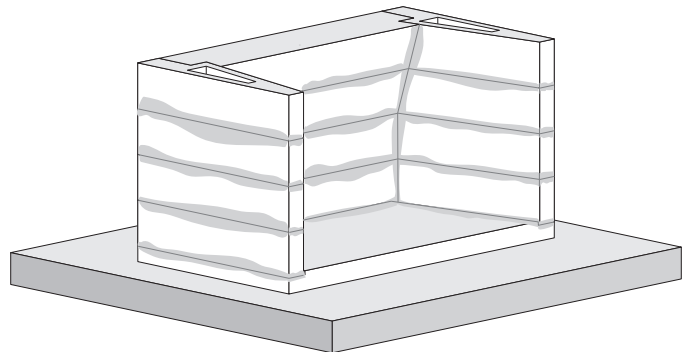
### BUTTERING THE JOINTS

At each level of the firebox, smoke chamber and masonry chimney it is important to go back and “butter” all joints. This procedure involves a final smoothing of any excess mortar, inside and out, sealing all joints and ensuring a “no-leak” installation (Figure 5.2).



**FIGURE 5.1**

*SIDE BLOCK WITH MORTAR APPLIED TO TOP FACE*

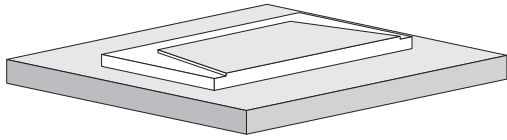


**FIGURE 5.2**

*FIREBOX WITH BUTTERED JOINTS*

# FIREPLACE INSTALLATION

## STEP 3: FIREBOX ASSEMBLY



**FIGURE 6.1**  
BASE PLATE

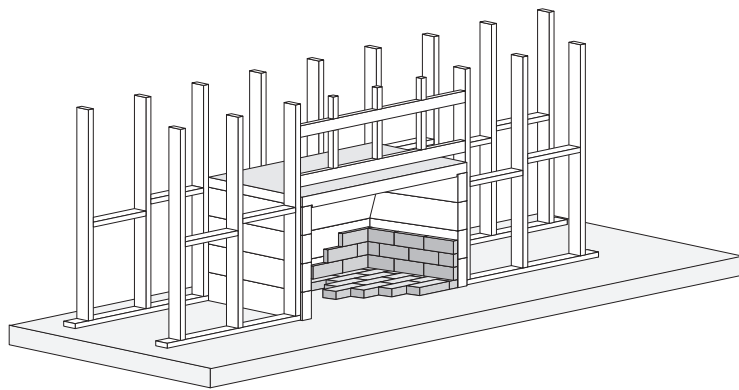
### BASE PLATE

The base plate must be placed on a level surface. It is very important that your base plate be square to the room, properly centered and level. Mark out the position of the base plate on the supporting floor system. Apply a layer of mortar to the area and set the base plate (Figure 6.1).

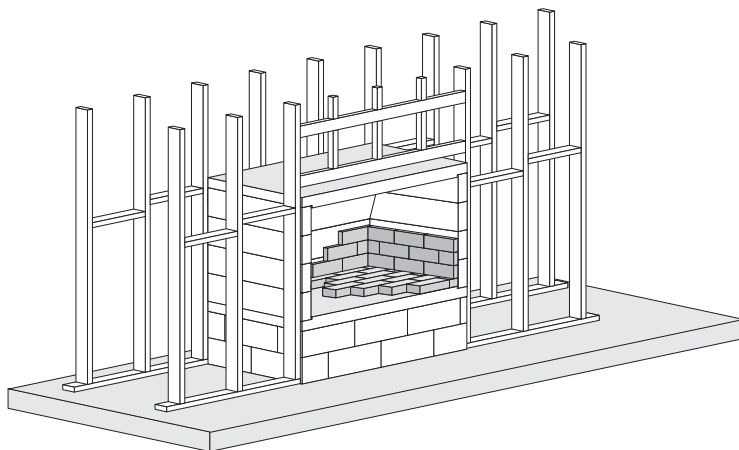
### FLUSH HEARTH (FIGURE 6.2)

If the design calls for a flush hearth, you can omit the base plate from the assembly instructions and build the side walls directly on the concrete pad or slab. In the event you opt not to use the base plate, carefully chalk lines where the base plate would be to ensure proper placement of your firebox.

With a flush hearth, the firebrick floor of the firebox will be applied directly to the concrete slab or pad. This makes the finished firebrick floor approximately 2 ½" above the top of the slab or pad.



**FIGURE 6.2**  
FLUSH HEARTH



**FIGURE 6.3**  
RAISED HEARTH

### ▲ WARNING

If installing on a combustible floor, the base plate must be used. Installing this fireplace on a combustible floor without the base plate may result in a fire or explosion, causing property damage, personal injury, or loss of life.

### RAISED HEARTH (FIGURE 6.3)

If the design calls for a raised hearth, then the base plate should be set on a noncombustible platform that is built up to the desired hearth height.

When calculating the hearth height, be sure to account for both the 3 ¾" base plate and 2 ½" thick firebrick floor in addition to the height of the platform.

**NOTE:** If installing a See-Through Vent Free fireplace, skip to page 16 for specific assembly instructions. The base plate will be installed upside down for this assembly.

# FIREPLACE INSTALLATION

## STEP 3A: VENT FREE FIREBOX ASSEMBLY

**NOTE:** If you are installing a See-Through Vent Free Fireplace, see Step 3B (page 16) for more specific assembly instructions

### BACK WALL AND SIDE BLOCKS

Side blocks and back blocks are next. Completely cover each component with mortar  $\frac{1}{2}$ " - 1" thick where it will lie or butt up against another component. You will begin by placing a back block on the base plate (Figure 6.4). Next, place the corresponding side blocks (Figure 6.5), again completely covering each edge of a component that butts up to another component (including the base plate) with  $\frac{1}{2}$ " - 1" of mortar. Use your level to ensure level and plumb placement of each component.

Continue to build each course of the firebox, making sure all surfaces are plumb and level and firebox position is correct (Figure 6.7).

**NOTE:** The Conventional Vent Free model can be built with a straight or an angled back wall. The angled back wall is shown throughout the assembly instructions.

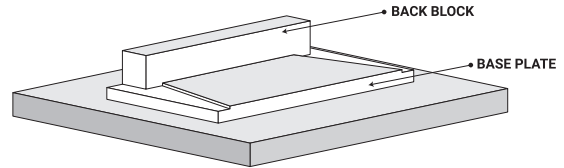
If the unit has an angled back wall, the first 2 courses of the firebox use identical straight back blocks, followed by angled back wall pieces for course 3 (Figure 6.6) and course 4 (Figure 6.7). The back wall pieces can only be positioned one way.

If the unit has a straight back wall, all 4 back blocks will be identical.

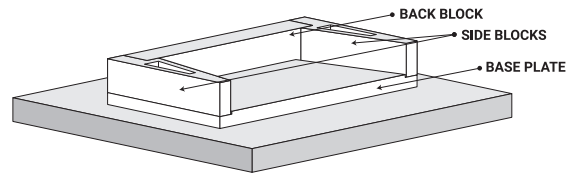
Butter all joints inside and out (see page 13).

### LEVELING AND ALIGNING COMPONENTS

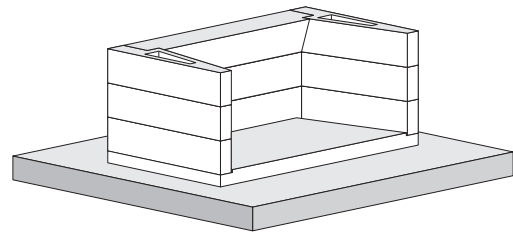
**It is important that each course of the firebox is level and flush with adjoining components.** FireRock mortar is not intended to create a mortar joint of any thickness for leveling purposes. Leveling and alignment adjustments should be made by the use of small shims. Be sure to re-mortar any gaps resulting from the shims to maintain a leak-free seal.



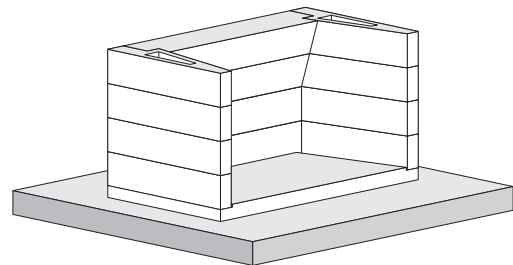
**FIGURE 6.4**  
BASE PLATE + 1 BACK BLOCK



**FIGURE 6.5**  
1 COURSE



**FIGURE 6.6**  
3 COURSES WITH ANGLED BACK WALL

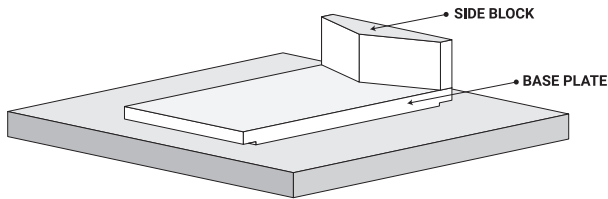


**FIGURE 6.7**  
FULLY ASSEMBLED FIREBOX

# FIREPLACE INSTALLATION

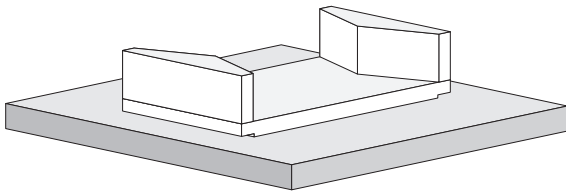
## STEP 3B: SEE-THROUGH VENT FREE FIREBOX ASSEMBLY

**NOTE:** If you are installing a Conventional Vent Free Fireplace, see Step 3A (page 15) for more specific assembly instructions



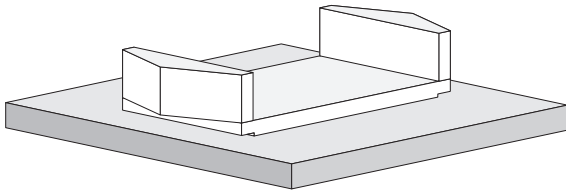
**FIGURE 6.8**

*BASE PLATE + 1 SIDE BLOCK*



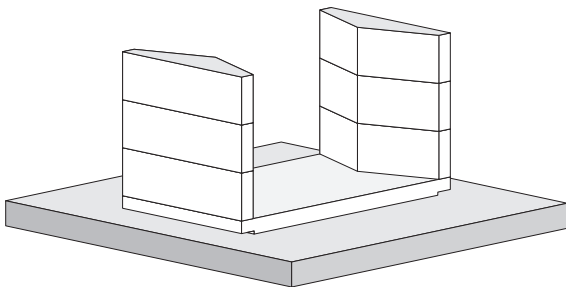
**FIGURE 6.9**

*STANDARD INSTALLATION - SIDE BLOCKS FACING INWARD*



**FIGURE 6.10**

*ALTERNATE INSTALLATION - SIDE BLOCKS FACING OUTWARD*



**FIGURE 6.11**

*FULLY ASSEMBLED FIREBOX*

### SIDE BLOCKS

Place a side block (Figure 6.8), completely covering each edge of the component that butts up to another component (including the base plate) with  $\frac{1}{2}$ " - 1" of mortar. Use your level to ensure level and plumb placement of each component.

**NOTE:** The See-Through Vent Free Fireplace can be built with the angled sides of the side wall facing in (Figure 6.9) or facing out (Figure 6.10).

Continue to build each course of the firebox, making sure all surfaces are plumb and level and firebox position is correct (Figure 6.11).

Butter all joints inside and out (see page 13).

### LEVELING AND ALIGNING COMPONENTS

It is important that each course of the firebox is level and flush with adjoining components. FireRock mortar is not intended to create a mortar joint of any thickness for leveling purposes. Leveling and alignment adjustments should be made by the use of small shims. Be sure to re-mortar any gaps resulting from the shims to maintain a leak-free seal.



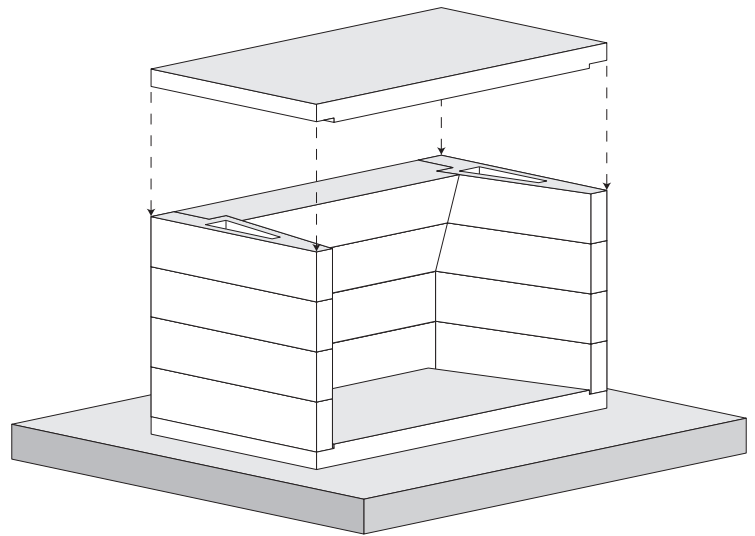
# FIREPLACE INSTALLATION

## STEP 4: PLACING THE TOP PLATE

The final component of the fireplace is the top plate. Completely cover the tops of the firebox sides and back block with  $\frac{1}{2}$ " - 1" of mortar before placing this final component and be sure it is level front-to-back and side-to-side.

**NOTE:** The top plate should be placed so that the raised portion is facing down, leaving the top flat (Figure 6.12).

“Butter” all joints to ensure a no-leak seal.

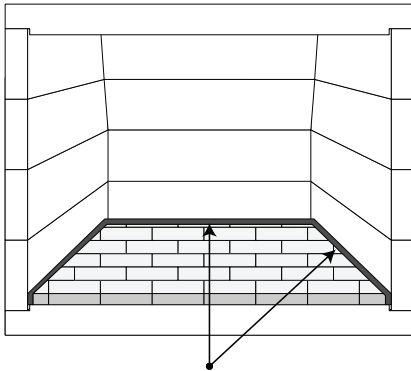


**FIGURE 6.12**

PLACING THE TOP PLATE

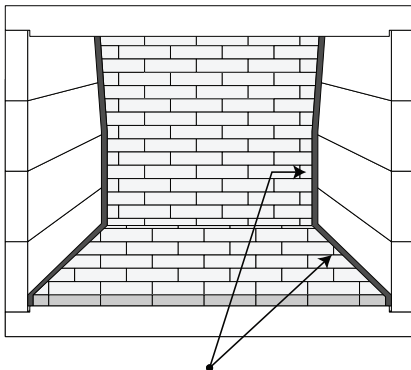
# FIREPLACE INSTALLATION

## STEP 7A: FIREBRICK INSTALLATION - VENT FREE FIREPLACE



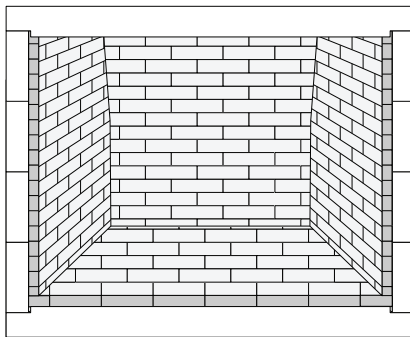
FLOOR WITH 1/2" EXPANSION GAP  
ALONG BACK AND SIDE WALLS

**FIGURE 8.1**



FLOOR & BACK WALL WITH 1/2"  
EXPANSION GAP ALONG SIDE WALLS

**FIGURE 8.2**



FULLY BRICKED FIREBOX  
COVERING EXPANSION GAPS

**FIGURE 8.3**

A 1 1/4" minimum firebrick (ASTM 1261) lining is required to meet the standard. Thicker firebrick (compliant with ASTM 1261) may be used as an option, if desired. The same FireRock Adhesive Mortar used for the firebox and chimney should be used to affix the firebrick to the inner wall of the firebox.

Follow the installation instructions below when laying your firebrick.

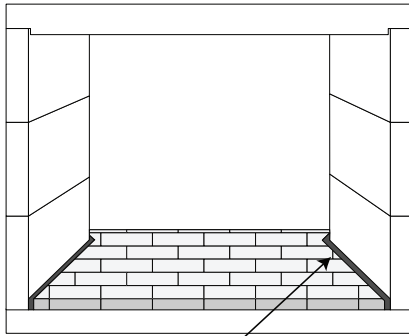
### FIREBRICK INSTALLATION

1. Mix mortar according to package instructions.
  2. Apply a skim coat of mortar approximately 1/16" thick to the back wall to remove air gaps and provide added heat protection.
  3. Using a trowel, apply mortar to the face and sides of the firebrick to achieve a joint thickness of 1/16" - 1/8", unless otherwise noted.
  4. Start applying the firebrick at the front edge of the floor and work your way back leaving approx. 1/2" gap off the back and side walls (Figure 8.1) – this space allows for heat expansion and is to be left empty of mortar. For the floor only, FireRock recommends a brick to brick joint.
- NOTICE:** Failure to leave an expansion gap can result in firebrick cracking.
5. Apply firebrick to the back wall. Cover the expansion gap on the floor with the overlap of brick, leaving it free of mortar. Leave a 1/2" expansion along both side walls (Figure 8.2).
  6. Apply firebrick to the side walls, starting at front of box and moving back, covering the expansion gaps along the floor and back wall with the overlap of brick, but leaving it free of mortar (Figure 8.3).

FireRock makes no claims as to the performance of firebrick or firebrick mortars except those manufactured by FireRock. It is typical for heat stress cracks to appear in the firebricks after use. The National Fire Protection Association Standard 211 says your fireplace and flue should be inspected at least once a year.

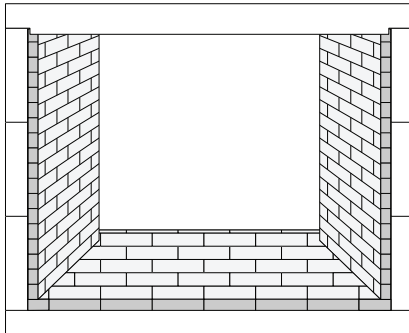
# FIREPLACE INSTALLATION

## STEP 7B: FIREBRICK INSTALLATION - SEE-THROUGH VENT FREE FIREPLACE



FLOOR WITH  $\frac{1}{2}$ " EXPANSION GAP ALONG SIDE WALLS

**FIGURE 8.4**



FULLY BRICKED FIREBOX COVERING EXPANSION GAPS

**FIGURE 8.5**

A  $1\frac{1}{4}$ " minimum firebrick (ASTM 1261) lining is required to meet the standard. Thicker firebrick (compliant with ASTM 1261) may be used as an option, if desired. The same FireRock Adhesive Mortar used for the firebox and chimney should be used to affix the firebrick to the inner wall of the firebox.

Follow the installation instructions below when laying your firebrick.

### FIREBRICK INSTALLATION

1. Mix mortar according to package instructions.
2. Using a trowel, apply mortar to the face and sides of the firebrick to achieve a joint thickness of  $\frac{1}{16}$ " -  $\frac{1}{8}$ " after the brick is stuck to inner wall of the firebox.
3. Start applying the firebrick at the front edge of the floor and work your way back leaving approx.  $\frac{1}{2}$ " gap off the side walls (Figure 8.4) – this space allows for heat expansion and is to be left empty of mortar.  
**NOTICE:** Failure to leave an expansion gap can result in firebrick cracking.
4. Apply firebrick to side walls, starting at front of box and moving back, covering the expansion gaps along the floor with the overlap of brick, but leaving it free of mortar (Figure 8.5).

FireRock makes no claims as to the performance of firebrick or firebrick mortars except those manufactured by FireRock. It is typical for heat stress cracks to appear in the firebricks after use. The National Fire Protection Association Standard 211 says your fireplace and flue should be inspected at least once a year.

# TYPICAL GYPSUM BOARD APPLICATION

## ▲ WARNING

Failure to maintain stated minimum clearance to combustibles on page 10 may result in a fire or explosion, causing property damage, personal injury, or loss of life.

### VENT FREE FIREPLACE

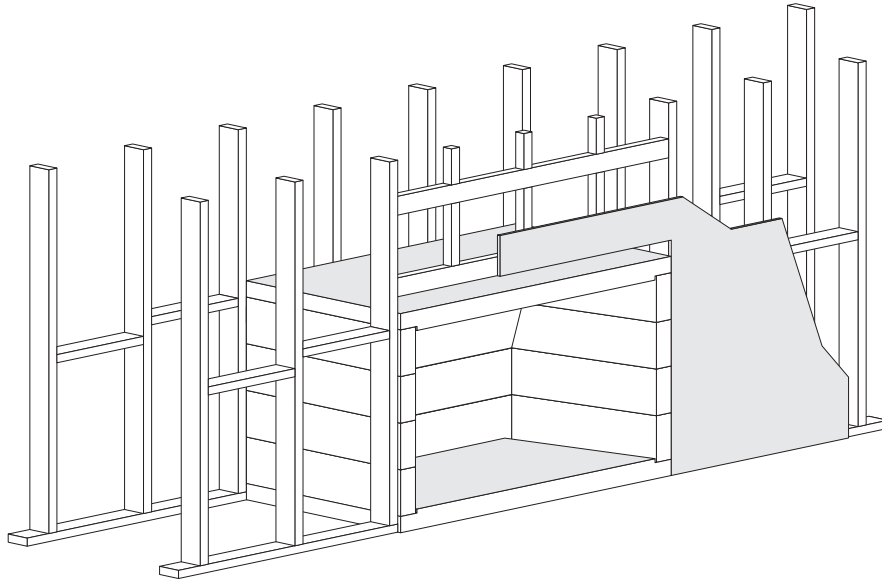


FIGURE 9.1

### SEE-THROUGH VENT FREE FIREPLACE

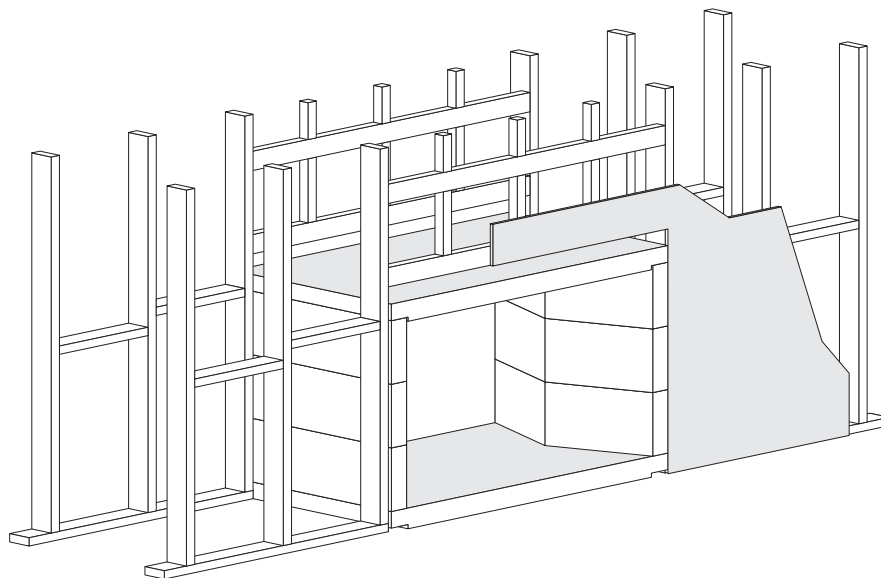


FIGURE 9.2

# OPERATING INSTRUCTIONS

This section of the manual is to help you get maximum efficiency and maximum smoke (particulate) reduction from your FireRock fireplace. If you experience any difficulty or have any questions concerning your fireplace, contact your dealer/distributor or FireRock's Technical Support Desk (888.876.1025).

## **WARNING**

### **IMPORTANT SAFETY INFORMATION**

1. These fireplaces are not intended to heat an entire home or to be used as a primary heat source. They are designed to ensure homeowner comfort by providing supplemental heat to the room. Overfiring, abusive burning or mistreatment of the fireplace unit can cause permanent damage to the unit and may result in a fire or explosion, causing property damage, personal injury, or loss of life.
2. Use gas only. Burning some fuels can be hazardous due to the possibility of producing carbon monoxide, which is both invisible and odorless. Overexposure to carbon monoxide can lead to illness and death. It is strongly recommended to install smoke and carbon monoxide detectors wherever fireplaces are in use.
3. If you smell gas, do not try to light the appliance. Leave the house immediately and call your gas supplier or fire department.
4. Never use gasoline, gasoline-type lantern fuel, kerosene, charcoal lighter fluid, or similar liquids to "freshen up" a fire in this fireplace. Keep all such liquids well away from the fireplace while it is in use.
5. When in use, ensure that fireplace screens, or equivalent means designed to prevent unintentional access into the fireplace interior, are closed.
6. Young children should be carefully supervised when there is a fire burning in the fireplace. When the fireplace is in use, components can become extremely hot, and may cause burns or other personal injuries if touched.
7. Keep clothing, furniture, fabrics, gasoline, liquids with flammable vapors, and all other combustible materials at a safe distance from the fireplace when in use.
8. During use, portions of the fireplace, including, but not limited to, the hearth and side walls can become hot. Maintain a safe distance from the fireplace during operation. Touching hot surfaces may cause burns or other personal injuries.
9. Before servicing your fireplace, allow all parts of the fireplace system to cool. Failure to let the fireplace system cool before servicing may cause burns or other personal injuries.
10. The fireplace should be inspected each year prior to the heating season.
11. To avoid the risk of damaging fireplace materials and increasing the risk of spreading a fire, do not use the fireplace to cook or warm food.

### **PREPARING YOUR NEW FIREPLACE FOR ITS FIRST FIRE**

Once your new fireplace is installed, it is critical that the refractory elements be dry before firing of the unit. It is recommended that the completed fireplace rest in a dried environment a minimum of 28 days after installation is complete. This will allow for curing. Not allowing the unit to fully cure can result in cracking of the fireplace components, which can compromise the integrity of the unit and may result in a fire or explosion, causing property damage, personal injury, or loss of life.

# OPERATING INSTRUCTIONS

(CONTINUED)

## **USING YOUR FIREPLACE**

A decorative unvented gas log set compliant with ANSI Z21.11.2 must be used in this fireplace. Refer to the manufacturer's instructions for use.

## **OVERFIRING**

These fireplaces are not intended to heat an entire home or to be used as a primary heat source. They are designed to ensure homeowner comfort by providing supplemental heat to the room. Overfiring, abusive burning or mistreatment of the fireplace unit can cause permanent damage to the unit and will invalidate your FireRock warranty.

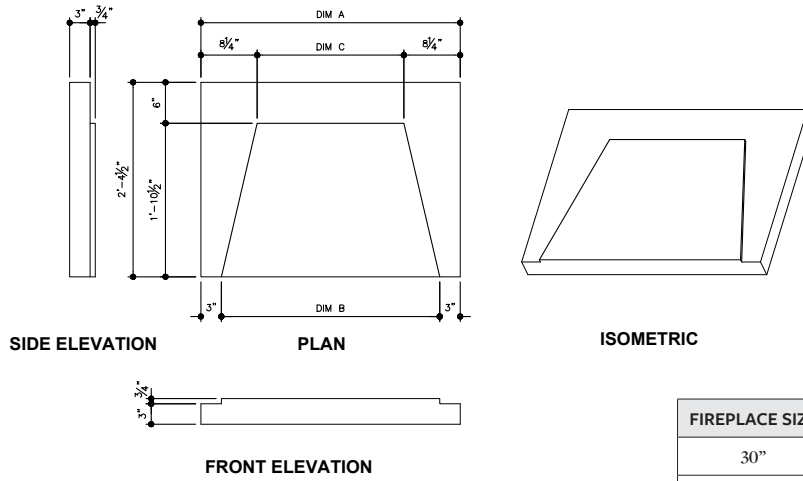
## **INSPECTION AND CLEANING**

Thoroughly inspect the fireplace prior to use each season.

# FIREPLACE PARTS

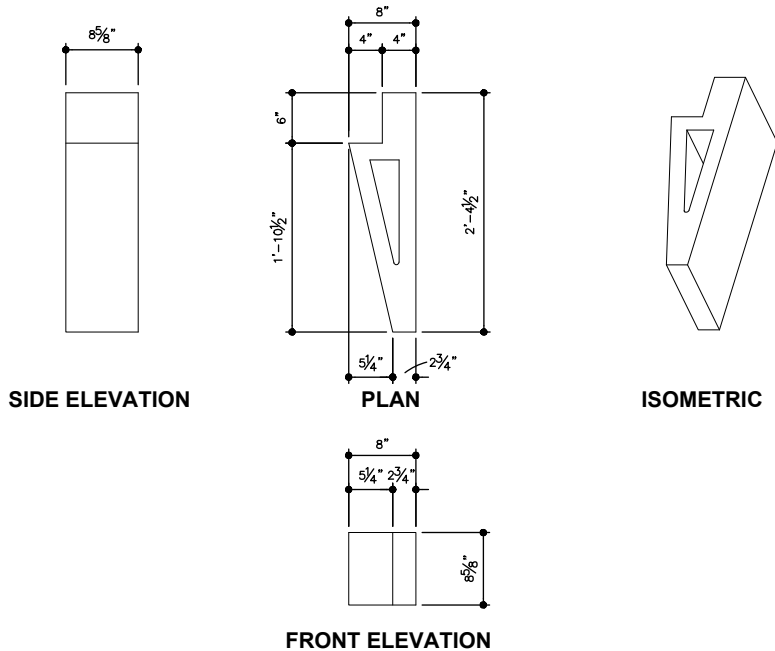
CONVENTIONAL VENT FREE

## BASE PLATE



FIREPLACE SIZE	DIM A	DIM B	DIM C
30"	38"	32"	21 1/2"
36"	44"	38"	27 1/2"
42"	50"	44"	33 1/2"
48"	56"	50"	39 1/2"

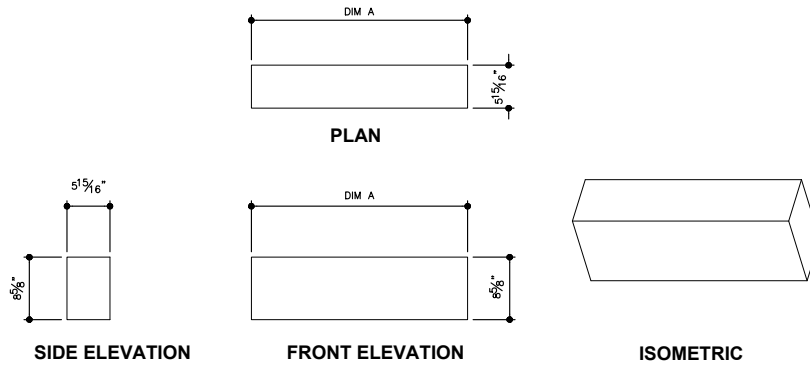
## FIREBOX SIDE



# FIREPLACE PARTS

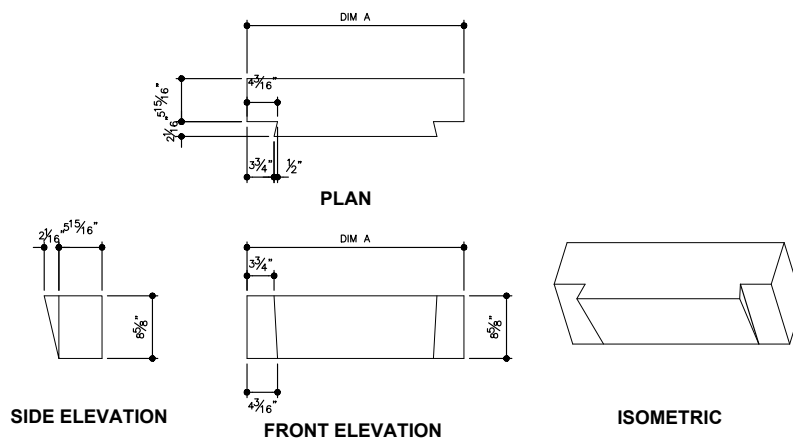
CONVENTIONAL VENT FREE

## FIREBOX BACK WALL (COURSES 1 & 2)



FIREPLACE SIZE	DIM A
30"	29 7/8"
36"	35 7/8"
42"	41 7/8"
48"	47 7/8"

## FIREBOX BACK WALL (COURSE 3)



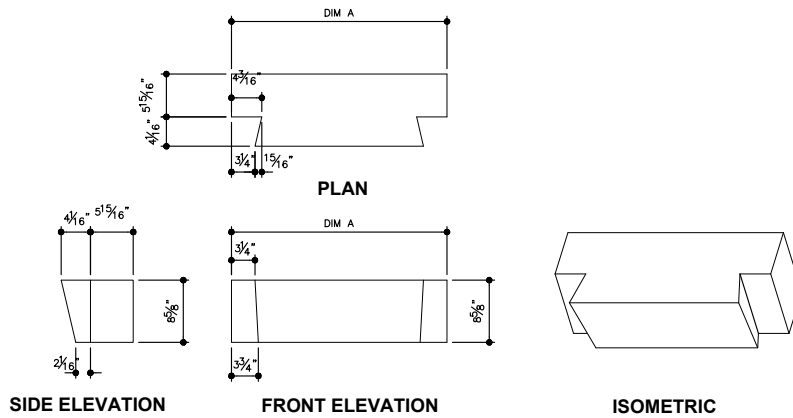
FIREPLACE SIZE	DIM A
30"	29 7/8"
36"	35 7/8"
42"	41 7/8"
48"	47 7/8"



# FIREPLACE PARTS

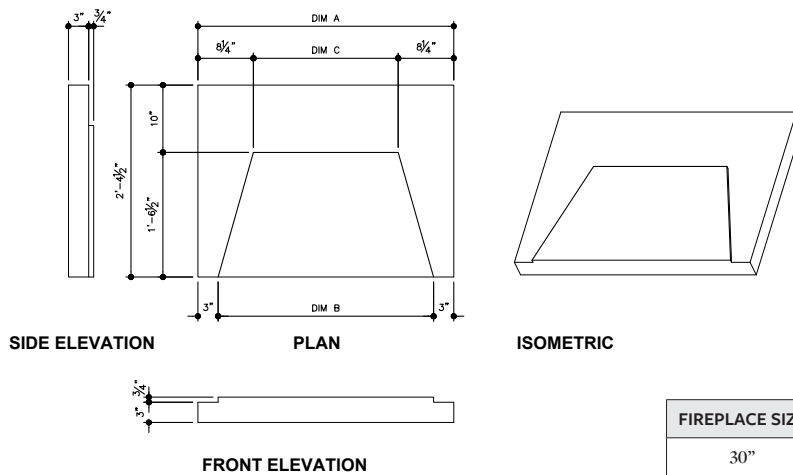
CONVENTIONAL VENT FREE

## FIREBOX BACK WALL (COURSE 4)



FIREPLACE SIZE	DIM A
30"	29 <sup>7</sup> / <sub>8</sub> "
36"	35 <sup>7</sup> / <sub>8</sub> "
42"	41 <sup>7</sup> / <sub>8</sub> "
48"	47 <sup>7</sup> / <sub>8</sub> "

## TOP PLATE

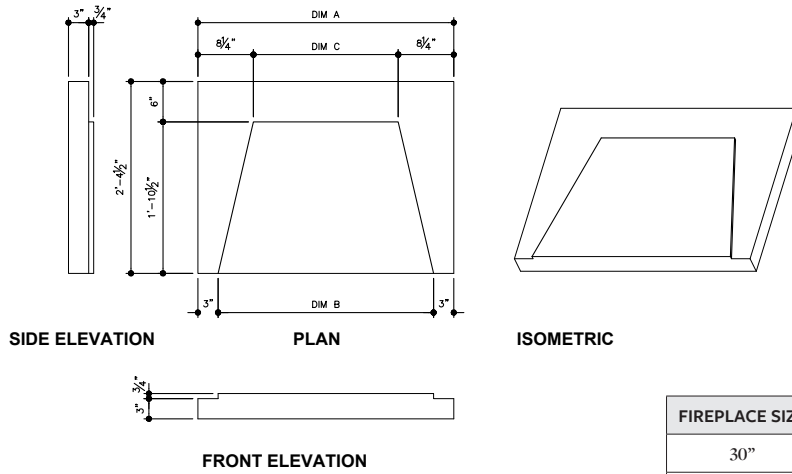


FIREPLACE SIZE	DIM A	DIM B	DIM C
30"	38"	32"	21 <sup>1</sup> / <sub>2</sub> "
36"	44"	38"	27 <sup>1</sup> / <sub>2</sub> "
42"	50"	44"	33 <sup>1</sup> / <sub>2</sub> "
48"	56"	50"	39 <sup>1</sup> / <sub>2</sub> "

# FIREPLACE PARTS

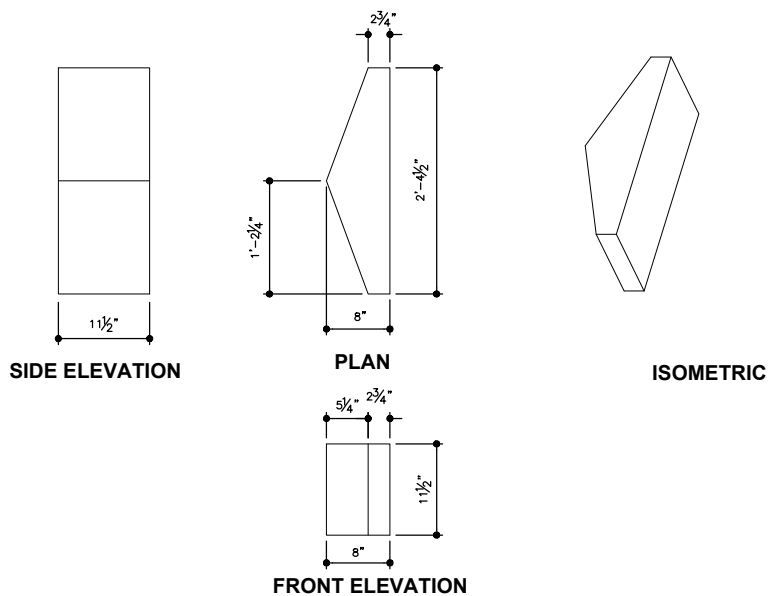
SEE-THROUGH VENT FREE

## BASE PLATE



FIREPLACE SIZE	DIM A	DIM B	DIM C
30"	38"	32"	21 1/2"
36"	44"	38"	27 1/2"
42"	50"	44"	33 1/2"
48"	56"	50"	39 1/2"

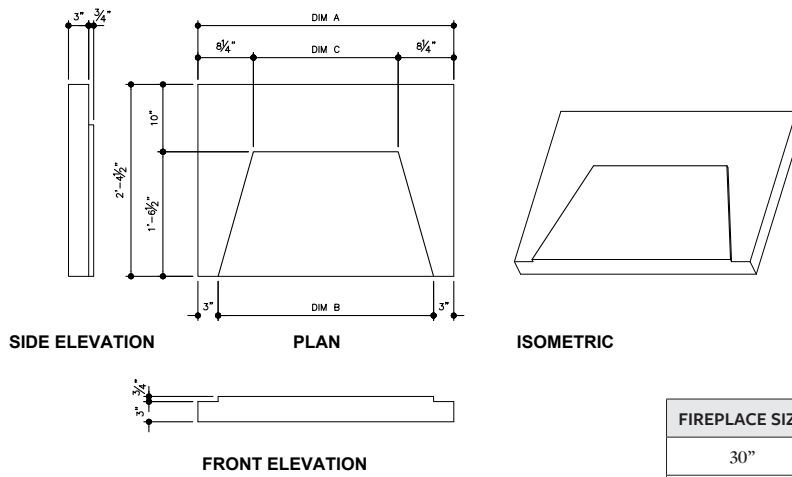
## FIREBOX SIDE



# FIREPLACE PARTS

SEE-THROUGH VENT FREE

## TOP PLATE



FIREPLACE SIZE	DIM A	DIM B	DIM C
30"	38"	32"	21 1/2"
36"	44"	38"	27 1/2"
42"	50"	44"	33 1/2"
48"	56"	50"	39 1/2"

**THIS PAGE INTENTIONALLY LEFT BLANK**

# TERMS & CONDITIONS

KEEP THIS INFORMATION FOR YOUR RECORDS

## FIREROCK TERMS & CONDITIONS OF SALE

**1. ENTIRE AGREEMENT:** Fire Rock Products, LLC (“FireRock”) agrees to sell certain Goods (as defined below) to you (“Buyer”) on the following terms and conditions of sale (these “Terms and Conditions”), which supersede any additional or inconsistent terms of Buyer. As used herein, “Buyer” includes the contractor and the ultimate purchaser of the home or other building into which the Goods are installed. These Terms and Conditions and the order or other contract documents to which they are attached constitute the entire agreement between FireRock and Buyer with respect to the Goods (collectively, this “Agreement”), and the terms and conditions of this Agreement prevail over any of Buyer’s general terms and conditions of purchase regardless of whether or when Buyer has submitted its purchase order or such terms. Fulfillment of Buyer’s order does not constitute acceptance of any of Buyer’s terms and conditions and does not serve to modify or amend this Agreement. This Agreement may not be modified, amended or waived in any way except in writing signed by an authorized representative of FireRock. FireRock makes no representations, except for the representations set forth in these Terms and Conditions, and Buyer acknowledges and agrees that Buyer has and will not rely on any other representations.

**2. GOODS:** FireRock manufactures and sells masonry fireplaces and other products, but these Terms and Conditions are limited to the masonry fireplaces purchased by Buyer from FireRock (the “Goods”) and do not apply to other products offered by FireRock, which are subject to separate terms and conditions.

**3. DELIVERY:** All shipping dates are approximate. All prices are F.O.B. the location of FireRock’s facility, unless otherwise specified by FireRock. Acceptance of shipment by designated shipper, delivery to Buyer’s representative or designee, or mailing of an invoice to Buyer, whichever first occurs, shall constitute “Delivery.” Upon payment in full, title shall pass to Buyer. In no event shall Buyer be entitled to make any deduction from any payment due hereunder by reason of loss or damage in transit. Upon the written request of Buyer, FireRock, at its sole discretion and Buyer’s expense, may agree as a service to Buyer to process Buyer’s claim against the carrier for any loss or damage in transit, provided that such claim is received by FireRock within two (2) days of delivery of the Goods to Buyer. Any such claims must be accompanied by a delivery receipt, signed by carrier’s agent at time of delivery, on which receipt the loss or damage has been noted. In the absence of directions, the Goods will be shipped by the method and via the carrier selected by FireRock. Delivery by truck will be made to the nearest points reasonably accessible by truck as determined by the driver. Buyer will unload and store, or furnish and pay for any necessary labor to unload and store, the Goods, and neither FireRock, the carrier, nor the driver have any obligation to unload or store the Goods. Buyer shall note loss or damage on truck shipments upon the delivery ticket returned to FireRock, or such claims shall be waived.

**4. TERMS OF PAYMENT:** Payment terms shall be as described in the applicable order, invoice or other contract documents to which these Terms and Conditions are attached; provided, however, if such payment terms are not covered in such documents, payment for the Goods are due net cash thirty (30) days from the date of the invoice. Buyer may be required to pay a percentage of the purchase price for the Goods as a deposit for certain custom Goods or new builders or customers whose credit has not been approved by FireRock, which is due and payable upon execution of the applicable order (a “Deposit”). If, at any time or for any reason, FireRock shall have cause to question Buyer’s ability to pay, FireRock may demand such assurances of Buyer’s ability to pay as FireRock shall deem necessary in its sole discretion, including payment in advance for all shipments. If Buyer fails within ten (10) days of FireRock’s demand to provide FireRock with such assurance, FireRock shall be entitled to suspend its performance, cancel any order then outstanding, receive reimbursement for its reasonable and proper cancellation charges, and may proceed to collect, without limitation, (a) any sums due and owing, (b) its reasonable cancellation charges and (c) all damage resulting from Buyer’s default. In the event of an assignment for the benefit of Buyer’s customers or creditors, bankruptcy or insolvency of Buyer, or in the event of any proceeding brought against Buyer, voluntarily or involuntarily, under bankruptcy or any insolvency laws, FireRock shall be entitled to cancel any order then outstanding at any time and shall receive reimbursement for its reasonable and

# TERMS & CONDITIONS

KEEP THIS INFORMATION FOR YOUR RECORDS

proper cancellation charges. If Buyer fails to make payment for the Goods when due, Buyer's account shall be deemed delinquent and Buyer shall be liable to FireRock for a service charge of eighteen percent (18%) per annum or the maximum allowed by law, whichever is greater, on any unpaid amount; provided that, in addition to the foregoing, FireRock shall also be entitled to (w) suspend its performance, (x) cancel any order then outstanding, (y) receive reimbursement for its reasonable and proper cancellation charges and (z) proceed to collect, without limitation, any sums due and owing, its reasonable cancellation charges, and all damage resulting from Buyer's default. Buyer shall be liable to FireRock for all costs and expenses of collection, including court costs and reasonable attorneys' fees.

**5. SECURITY INTEREST:** As collateral security for the payment of the purchase price of the Goods, Buyer hereby grants to FireRock a lien on and security interest in and to all of the right, title and interest, to and under the Goods, wherever located, and whether now existing or hereafter arising or acquired from time to time, and in all accessions thereto and replacements or modifications thereof, as well as all proceeds (including insurance proceeds of the foregoing). The security interest granted under this provision constitutes a purchase money security interest under the Alabama Uniform Commercial Code.

**6. CANCELLATIONS, CHANGES AND RETURNS:** Except as otherwise provided in this Agreement, the order and purchase of the Goods under this Agreement are not subject to cancellation, change or return unless agreed to in writing by an authorized representative of FireRock. At FireRock's option, Buyer may be charged for any costs incurred by FireRock prior to or as a result of such cancellation, change or return. In the event of any change, FireRock shall be entitled to revise its prices and delivery dates to reflect such change. Any Deposit paid to FireRock is non-refundable.

**7. DELAY IN OR PREVENTION OF PERFORMANCE:** FireRock shall not be liable for any expense, loss or damage resulting from delay in delivery or prevention of performance caused by fires, floods, storms, acts of God, strikes, labor disputes, labor shortages, lack of or inability to obtain materials, fuels, supplies or equipment, civil unrest, domestic or international acts of terrorism, riots, accidents, transportation delays, acts or failures to act of any government or of Buyer, or any other cause whatsoever, provided that such cause is beyond the reasonable control of FireRock, and FireRock shall have such additional time for performance as may be reasonably necessary under the circumstances and may adjust the price to reflect increases occasioned by such delay. Acceptance by Buyer of any of the Goods shall constitute a waiver by Buyer of any claim for damages on account of any delay in delivery of the Goods.

**8. EXCLUSIVE WARRANTY:** Buyer acknowledges that FireRock makes no representation or warranty with respect to the Goods, except for the representations and warranties set forth on Exhibit A, which is incorporated into this Agreement by reference.

**9. LIMITATION OF WARRANTY:** IF ANY GOOD IS INSTALLED OTHER THAN IN STRICT CONFORMANCE WITH THE PUBLISHED INSTALLATION INSTRUCTIONS, THE WARRANTY IS VOID AND THERE SHALL BE NO WARRANTY FOR SUCH GOOD.

**10. OPERATING WARRANTY SERVICE:** To obtain warranty service authorization, Buyer must contact the "FireRock Technical Service Department" in writing at 1500 1st Avenue North #75, Birmingham, AL 35203, or at such address as may be posted at [www.firerock.us](http://www.firerock.us), within thirty (30) calendar days after Buyer purchases the Goods from FireRock or its authorized distributor. Dated proof of original purchase from FireRock or its authorized distributor will be required. FireRock is not responsible for Goods received from Buyer without a warranty service authorization. To obtain warranty service authorization, Buyer must provide photographic evidence of the claimed defect or have the Goods inspected by an approved FireRock inspector, as determined by FireRock in its sole discretion. Buyer agrees to permit inspection of the Goods by an approved FireRock inspector. FireRock shall, at its sole discretion, decide the place of performance.

**11. WARRANTY DISCLAIMER:** IF THE GOODS DO NOT OPERATE AS WARRANTED PURSUANT TO THE EXPRESS

# TERMS & CONDITIONS

KEEP THIS INFORMATION FOR YOUR RECORDS

LIMITED WARRANTY IN EXHIBIT A, BUYER'S SOLE REMEDY SHALL BE THE REMEDY SET FORTH IN THE EXPRESS LIMITED WARRANTY IN EXHIBIT A. TO THE FULLEST EXTENT ALLOWED BY LAW, THE EXPRESS LIMITED WARRANTY IN EXHIBIT A IS EXCLUSIVE AND IN LIEU OF ALL OTHER WARRANTIES, TERMS OR CONDITIONS, EXPRESS OR IMPLIED, EITHER IN FACT OR BY OPERATION OF LAW, STATUTORY OR OTHERWISE, INCLUDING WARRANTIES OF MERCHANTABILITY, FITNESS FOR A PARTICULAR PURPOSE, WARRANTY OF TITLE, OR WARRANTY AGAINST INFRINGEMENT OF INTELLECTUAL PROPERTY RIGHTS OF A THIRD PARTY, ALL OF WHICH ARE EXPRESSLY DISCLAIMED. FIREROCK NEITHER ASSUMES NOR AUTHORIZES ANY OTHER PERSON TO ASSUME FOR IT ANY OTHER WARRANTY OR LIABILITY IN CONNECTION WITH THE SALE, INSTALLATION, MAINTENANCE OR USE OF THE GOODS.

FIREROCK SHALL NOT BE LIABLE UNDER THE WARRANTY SET FORTH IN EXHIBIT A IF ITS TESTING AND INSPECTION DISCLOSE THAT THE ALLEGED DEFECT OR MALFUNCTION IN THE GOODS DOES NOT EXIST OR WAS CAUSED BY BUYER'S OR ANY OTHER PERSON'S MISUSE, NEGLIGENCE, IMPROPER INSTALLATION OR TESTING, UNAUTHORIZED ATTEMPTS TO REPAIR OR MODIFY THE GOODS, NORMAL WEAR AND TEAR, OR ANY OTHER CAUSE BEYOND THE RANGE OF ITS INTENDED USE, OR BY ACCIDENT, FIRE, LIGHTNING, OTHER HAZARDS, OR ACT OF GOD. THE WARRANTY SET FORTH IN EXHIBIT A DOES NOT APPLY WHEN THE MALFUNCTION OR DEFECT RESULTS FROM INSTALLATION OF THE GOODS OTHER THAN IN FULL COMPLIANCE WITH THE GOODS' INSTALLATION AND SPECIFICATION MANUAL AND APPLICABLE BUILDING CODES, OR THE USE OF THE GOODS IN CONJUNCTION WITH ACCESSORIES, OTHER PRODUCTS, OR ANCILLARY OR PERIPHERAL EQUIPMENT AND FIREROCK DETERMINES THAT THERE IS NO DEFECT WITH THE ACTUAL GOODS.

**12. LIMITATION OF LIABILITY:** TO THE FULLEST EXTENT ALLOWED BY LAW, FIREROCK ALSO EXCLUDES FOR ITSELF, ITS SUPPLIERS AND THEIR RESPECTIVE SHAREHOLDERS, MEMBERS, OFFICERS, DIRECTORS, EMPLOYEES, AGENTS, AND ITS AND THEIR RESPECTIVE SUCCESSORS AND ASSIGNS, ANY LIABILITY, WHETHER BASED IN CONTRACT, TORT (INCLUDING NEGLIGENCE), STRICT LIABILITY OR OTHER LEGAL THEORY, FOR INCIDENTAL, CONSEQUENTIAL, INDIRECT, SPECIAL, OR PUNITIVE DAMAGES OF ANY KIND, OR FOR THE LOSS OF REVENUE OR PROFITS, LOSS OF BUSINESS, LOSS OF PROPERTY, OR OTHER FINANCIAL LOSS ARISING OUT OF OR IN CONSEQUENCE WITH THE SALE, INSTALLATION, MAINTENANCE, USE, PERFORMANCE, FAILURE, OR INTERRUPTION OF THE GOODS, EVEN IF SUCH PARTIES HAVE BEEN ADVISED OF THE POSSIBILITY OF SUCH DAMAGES. IN NO EVENT SHALL FIREROCK'S AGGREGATE LIABILITY ARISING OUT OF OR RELATED TO THIS AGREEMENT OR THE SALE OF THE GOODS, WHETHER ARISING OUT OF OR RELATED TO BREACH OF CONTRACT, TORT (INCLUDING NEGLIGENCE) OR OTHERWISE, EXCEED THE AMOUNT PAID TO FIREROCK BY BUYER FOR THE APPLICABLE GOODS SOLD HEREUNDER.

**13. INDEMNIFICATION:** FIREROCK SHALL NOT BE LIABLE FOR AND BUYER AGREES TO INDEMNIFY, DEFEND AND HOLD HARMLESS FIREROCK FOR ALL LOSS, DAMAGE, PERSONAL INJURY (INCLUDING DEATH), PROPERTY DAMAGE, OR OTHER LIABILITY ARISING IN WHOLE OR IN PART FROM THE NEGLIGENCE (INCLUDING GROSS NEGLIGENCE) OR WILLFUL MISCONDUCT OF BUYER, ITS EMPLOYEES, AGENTS, CONTRACTORS, SUCCESSORS, HEIRS AND ASSIGNS.

**14. TERMINATION:** In addition to any remedies that may be provided under this Agreement, FireRock may terminate this Agreement with immediate effect upon written notice to Buyer, if Buyer: (a) fails to pay any amount when due under this Agreement; (b) has not otherwise performed or complied with this Agreement, in whole or in part; or (c) becomes insolvent, files a petition for bankruptcy or commences or has commenced against it proceedings relating to bankruptcy, receivership, reorganization or assignment for the benefit of creditors.

# TERMS & CONDITIONS

KEEP THIS INFORMATION FOR YOUR RECORDS

**15. CONTROLLING LAW:** This Agreement and all rights and obligations hereunder shall be governed by, and construed in accordance with, the laws of the State of Alabama without regard to its conflicts of laws provisions.

**16. ARBITRATION; DISPUTE RESOLUTION; PRESERVATION OF FORECLOSURE REMEDIES:** All disputes, claims or controversies (individually or collectively, a “Dispute”) between FireRock and Buyer arising out of, or relating to, the transactions contemplated by this Agreement, including without limitation any claim based on or arising from an alleged tort, shall be resolved by binding arbitration in accordance with Title 9 of the U.S. Code and the Commercial Arbitration Rules of the American Arbitration Association (the “AAA”), and judgment on the award rendered by the arbitrators may be entered in any court having jurisdiction thereof. The Dispute shall be arbitrated in Birmingham, Alabama. Defenses based on statutes of limitation and similar doctrines shall be applicable in any such proceeding, and the commencement of an arbitration proceeding under this Agreement shall be deemed the commencement of an action for such purposes. The arbitrator shall selected in accordance with the Commercial Arbitration Rules of the AAA. The AAA shall designate a panel of ten (10) potential arbitrators knowledgeable in the subject matter of the Dispute. Each of FireRock and Buyer shall designate, within thirty (30) days of the receipt of the list of potential arbitrators, one of the potential arbitrators to serve, and the two arbitrators so designated shall select a third arbitrator from the eight remaining candidates. Notwithstanding the foregoing, FireRock reserves the right to resolve or bring any Dispute in the federal courts of the United States of America or the courts of the State of Alabama in each case located in Jefferson County, and Buyer irrevocably submits to the exclusive jurisdiction of such courts in any such Dispute.

**17. WAIVER:** No waiver of any provision, right or remedy contained in this Agreement is binding on, or effective against, FireRock unless expressly set forth in writing and signed by an authorized representative of FireRock. Waiver by FireRock of any breach shall be limited to the specific breach so waived and shall not be construed as a waiver of any subsequent breach.

**18. ASSIGNMENT:** Buyer may not assign this Agreement or any rights or obligations therein without the prior written consent of FireRock. Any attempted assignment in contravention of this Paragraph shall be void. No assignment or delegation relieves Buyer of any of its obligations under this Agreement. Notwithstanding the foregoing, if Buyer is a contractor, Buyer may assign this Agreement to the ultimate purchaser of the home or other building into which the Goods are installed.

**19. TAXES:** Unless otherwise indicated in this Agreement, FireRock’s prices do not include sales, use, excise or other similar taxes. Consequently, in addition to the price specified, the amount of any present or future such tax shall be paid by Buyer, or in lieu thereof, Buyer shall provide FireRock with all tax-exemption certificates required by the taxing authorities, at the time of sale.

**20. CUMULATIVE REMEDIES:** All remedies of FireRock set forth herein shall be cumulative and shall be in addition to any other remedies available to FireRock, whether at law, equity or otherwise.

**21. SEVERABILITY:** If any provision or part of a provision contained in this Agreement is held by a court of competent jurisdiction to be contrary to law or public policy, the remaining provisions of the Agreement shall remain in full force and effect.

**22. CONSTRUCTION:** No provision of this Agreement may be construed against FireRock as the drafting party.

**23. SURVIVAL:** Provisions of this Agreement which by their nature should apply beyond their terms will remain in force after any termination or expiration of this Agreement.



# TERMS & CONDITIONS

KEEP THIS INFORMATION FOR YOUR RECORDS

## **TERMS AND CONDITIONS OF SALE EXHIBIT A: EXPRESS LIMITED WARRANTY MASONRY FIREPLACES – EXPRESS LIMITED WARRANTY**

FireRock warrants to the original Buyer (including, if the original Buyer is a contractor, the original purchaser of a new, or the current owner of an existing, home or other building into which the Goods are installed) that the fireplace purchased from FireRock (the “Fireplace”) will be free from material defects in materials, under normal use, for twenty (20) years). Material defects must adversely affect safety or performance of the Fireplace and expressly excludes drafting, smoking, or puffing of the Fireplace, which are affected by factors beyond the control of FireRock. The warranty period begins on the proven date of purchase of the Fireplace.

FireRock’s sole obligation under this express limited warranty shall be, at FireRock’s discretion, option and expense, to either: (1) provide a replacement Fireplace or part; or (2) if a replacement Fireplace or part is not reasonably available, refund the purchase price paid for the Fireplace or part. Labor charges or indirect charges for repair or replacement of the Fireplace or part shall be the responsibility of Buyer. FireRock warrants any replaced Fireplace or part for a period of ninety (90) days from shipment, or through the end of the original warranty, whichever is longer. All Fireplaces or parts that are replaced become the property of FireRock. This express limited warranty does not cover hardware, footing, vents, ducting or accessories.

TO THE FULLEST EXTENT ALLOWED BY LAW, THIS EXPRESS LIMITED WARRANTY IS EXCLUSIVE AND IN LIEU OF ALL OTHER WARRANTIES, TERMS OR CONDITIONS, EXPRESS OR IMPLIED, EITHER IN FACT OR BY OPERATION OF LAW, STATUTORY OR OTHERWISE, INCLUDING WARRANTIES OF MERCHANTABILITY, FITNESS FOR A PARTICULAR PURPOSE, WARRANTY OF TITLE, OR WARRANTY AGAINST INFRINGEMENT OF INTELLECTUAL PROPERTY RIGHTS OF A THIRD PARTY, ALL OF WHICH ARE EXPRESSLY DISCLAIMED. FIREROCK NEITHER ASSUMES NOR AUTHORIZES ANY OTHER PERSON TO ASSUME FOR IT ANY OTHER WARRANTY OR LIABILITY IN CONNECTION WITH THE SALE, DELIVERY, INSTALLATION, MAINTENANCE OR USE OF THE GOODS.

Color matching cannot be guaranteed. Any sample, model, description or illustration shown to or viewed by Buyer was for illustrative purposes only and shall not be deemed to create an express warranty that the Goods shall conform identically in all respects to such sample, model, description or illustration.

If you have any questions, please contact the FireRock’s Technical Service Department at 205-639-5000.

**THIS PAGE INTENTIONALLY LEFT BLANK**

**THIS PAGE INTENTIONALLY LEFT BLANK**



**F I R E R O C K**  
BUILDING MATERIALS