

BDM SERIES GLASS BI-FOLD DOOR KITS

[FOR USE WITH MODELS: RAPTURE36/42/50, ORACLE36/42/50, GEORGIAN36/42/50, WRT6036/42/50, WRE6036/42/50, WRT6842/50]

KIT CONTENTS

1 ea. Glass Bi-Fold Doors
1 ea. Instruction Sheet

Cat. No.	Model	Description
F1011	BDM036E	36" Mosaic Masonry Bi-Fold Door, Ebony
F1012	BDM036G	36" Mosaic Masonry Bi-Fold Door, Pewter
F1013	BDM036C	36" Mosaic Masonry Bi-Fold Door, Oiled Bronze
F1014	BDM042E	42" Mosaic Masonry Bi-Fold Door, Ebony
F1015	BDM042G	42" Mosaic Masonry Bi-Fold Door, Pewter
F1016	BDM042C	42" Mosaic Masonry Bi-Fold Door, Oiled Bronze
F1020	BDM050E	50" Mosaic Masonry Bi-Fold Door, Ebony
F1021	BDM050G	50" Mosaic Masonry Bi-Fold Door, Pewter
F1022	BDM050C	50" Mosaic Masonry Bi-Fold Door, Oiled Bronze

REQUIRED TOOLS AND SUPPLIES

1/8" Shims
Phillips Screwdriver

GENERAL INFORMATION

Bi-Fold glass doors are available in ebony, pewter and oiled bronze finishes.

READ ALL THE STEPS BEFORE STARTING THE INSTALLATION

THE FIREPLACE MUST BE OFF AND COLD BEFORE BEGINNING.

ALL WARNINGS, PRECAUTIONS AND INSTRUCTIONS IN THE INSTALLATION AND OPERATION MANUAL PROVIDED WITH THE APPLIANCE APPLY TO THESE INSTRUCTIONS.

If you encounter any problems, need clarification of these instructions or are not qualified to properly install this kit, contact your local distributor or dealer.

If any of these parts are missing or damaged, contact your dealer or IHP.us.com for referral information.

INSTALLING DOOR FRAMES

1. Remove screws from smoke shelf (see **Figure 1**).
2. Mount top door frame and secure with screws provided (see **Figure 1**).
3. Place bottom door frame on top of ash lip at front of fireplace (see **Figure 2**).
4. Secure bottom door frame to brick with two hex screws provided as shown in **Figure 3** using a 7/16" open end or adjustable wrench.

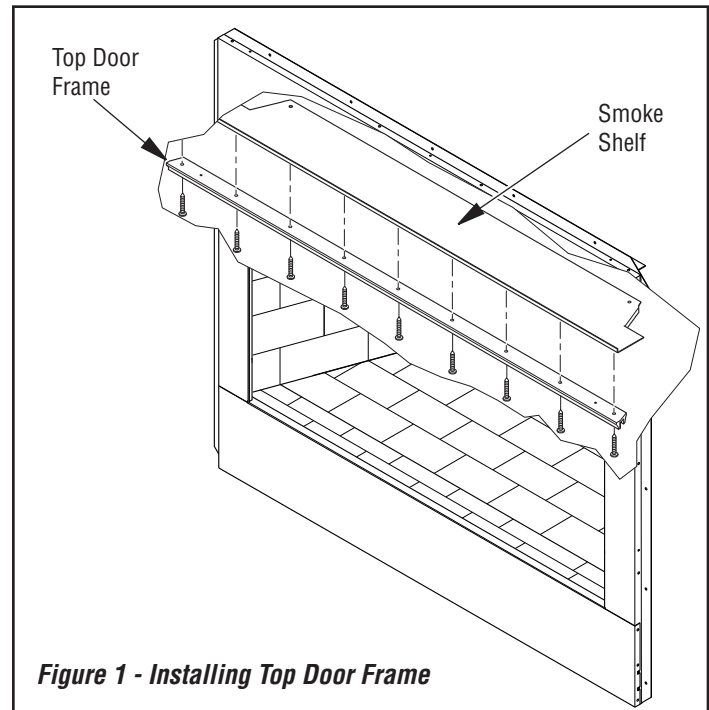


Figure 1 - Installing Top Door Frame

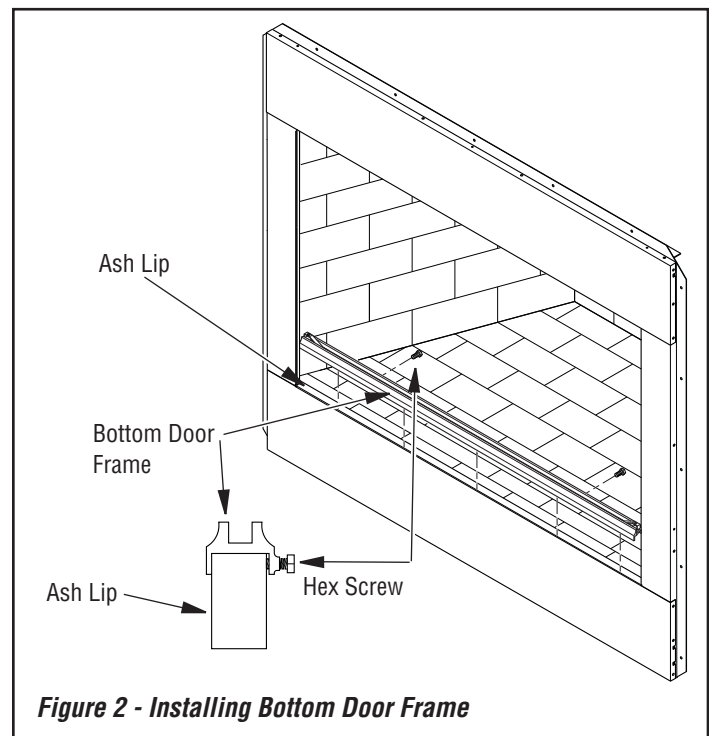
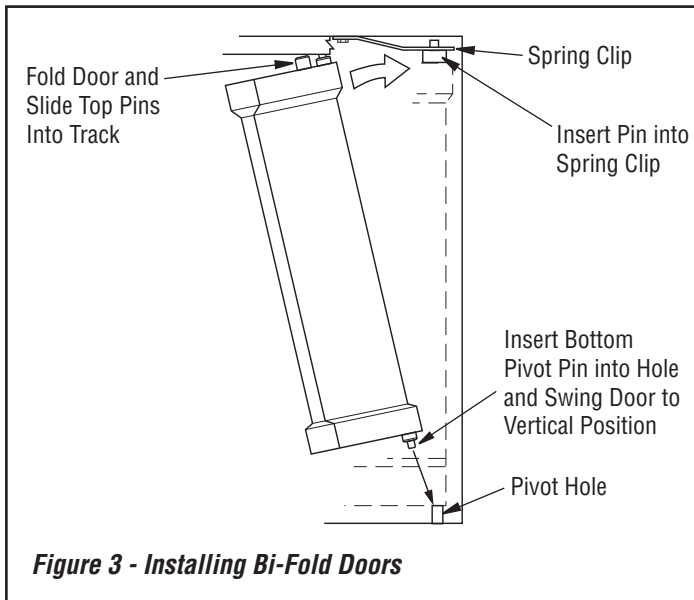


Figure 2 - Installing Bottom Door Frame

INSTALLING GLASS DOORS

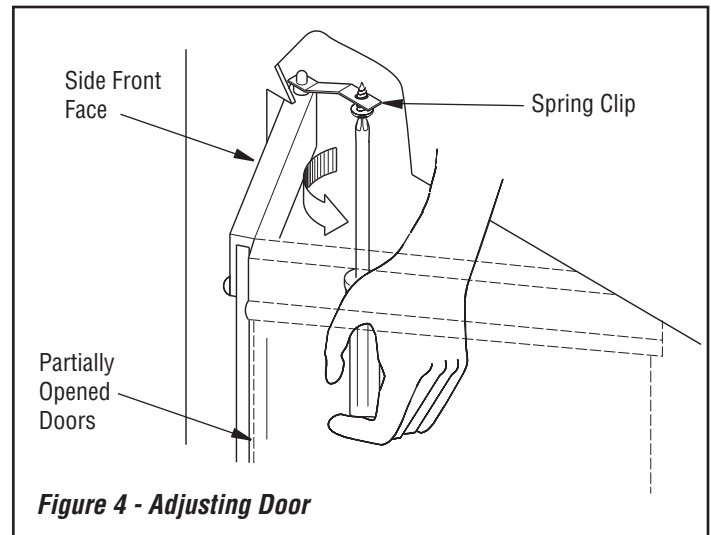
Spring clips have been installed but minor adjustments may still be needed. Install the doors using the following steps:

1. With bi-fold door completely folded, insert bottom pivot pin into hole located at bottom corner of bottom door frame as shown in **Figure 3**.
2. Swing door to vertical position and make sure top pins slide into door track. Door pin should snap onto the clip when vertical.
3. Repeat for other door.



DOOR ADJUSTMENT

Remove doors and slightly loosen upper spring clips. Replace and fully close doors. Use 1/8" shims (any material) to level doors. Once proper setting is achieved, carefully open doors enough to access pivot and spring clips with a phillips head screwdriver. Tighten screws (*see Figure 4*).



NOTE: DIAGRAMS & ILLUSTRATIONS ARE NOT TO SCALE.

IHP reserves the right to make changes at any time, without notice, in design, materials, specifications, prices and also to discontinue colors, styles and products. Consult your local distributor for fireplace code information.