



INSTALLATION ACCESSORIES



Accessories for Wood Burning & Direct-Vent Gas Fireplaces

Wood Burning Installation Accessories

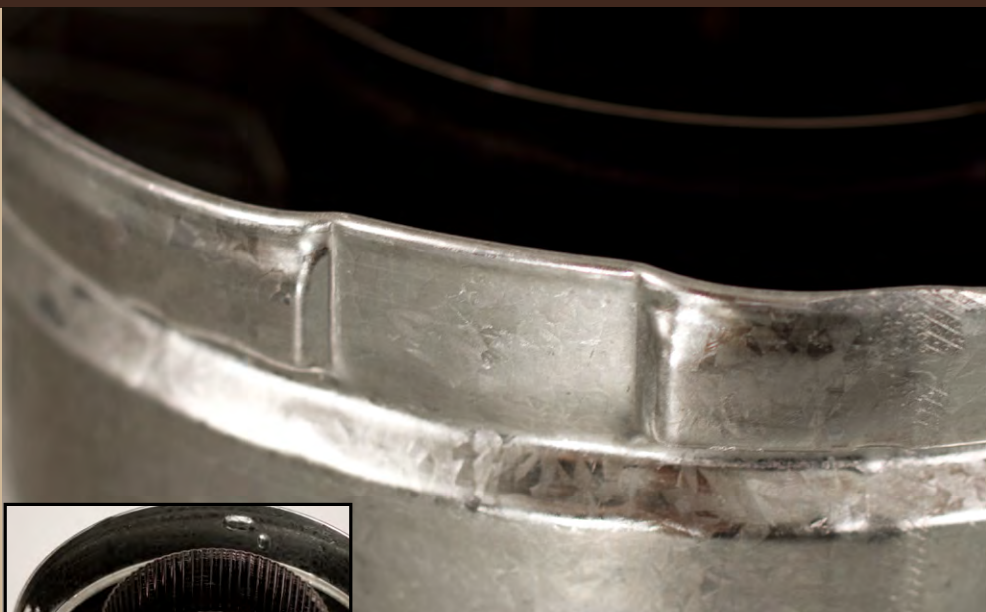
Double Wall Pipe

FMI Products wood burning pipe features a "double wall" or an inner and outer pipe. The outer pipe, made of galvanized steel, provides cooling air necessary to maintain safe chimney temperatures, while the inner pipe, made of stainless steel, emits the gases out of the fireplace.

FMI Products Double Wall Pipe is available in a variety of lengths from 12" to 48", two diameters 8" x 12³/₈" and 12" x 15³/₈", and two types Standard & High Temperature.

What's more, standard double wall pipe can withstand temperatures up to 1700 degrees, high temperature double wall pipe up to 2100 degrees.

Best of all, FMI Products patented Snap-Lock design provides easy assembly for the qualified installer.



Double Wall

Wood Pipe Steel Gauge Thickness:

Standard Inner: 30

Standard Outer: 28

Hi-Temp Inner: 28

Hi-Temp Outer: 28



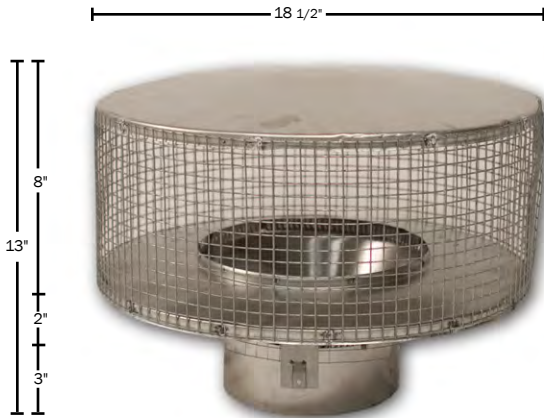
Terminations

For outstanding corrosion and rust resistance, choose from a selection of galvanized terminations. Galvanized terminations offer a long life span and great value, and are able to withstand tough and wet conditions extremely well.

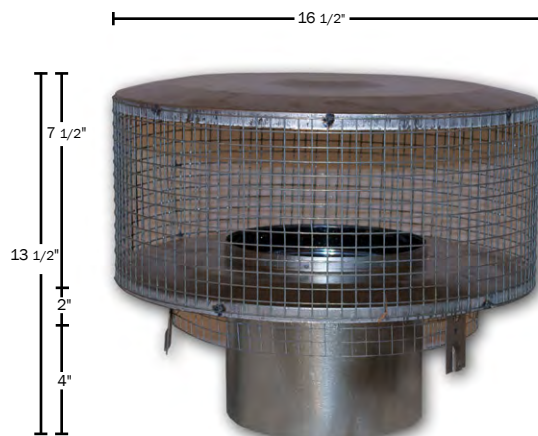
Engineered exclusively for FMI Products Double Wall Wood Burning Pipe, you can feel safe knowing your venting system will be properly sealed and provide the best air circulation for your fireplace.



RTL-8DM



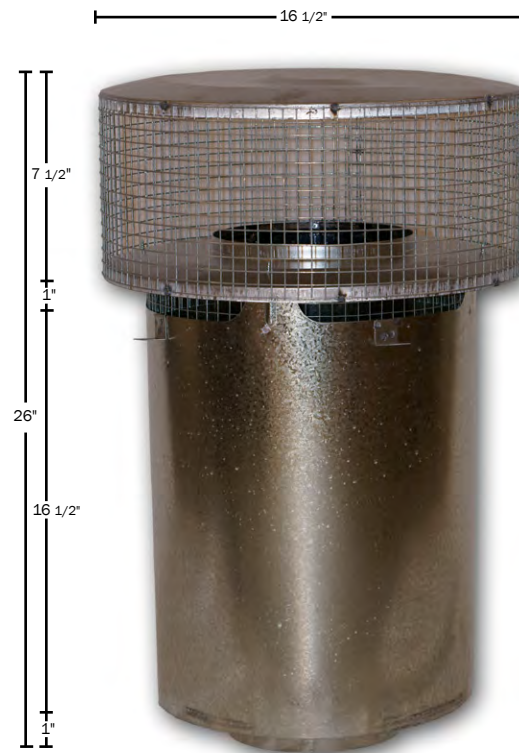
RT-8DM



Wood Burning Installation Accessories

Termination Dimensions

RTT-8DM

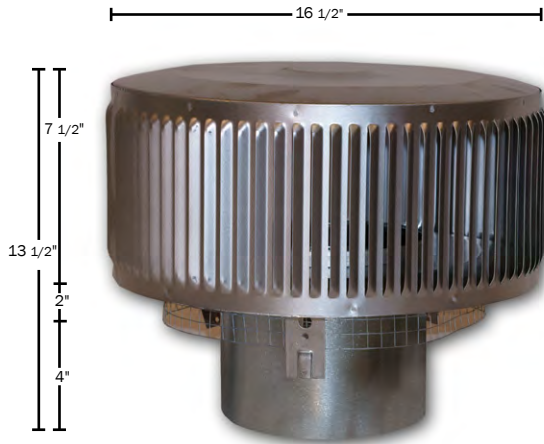


RTTL-8DM

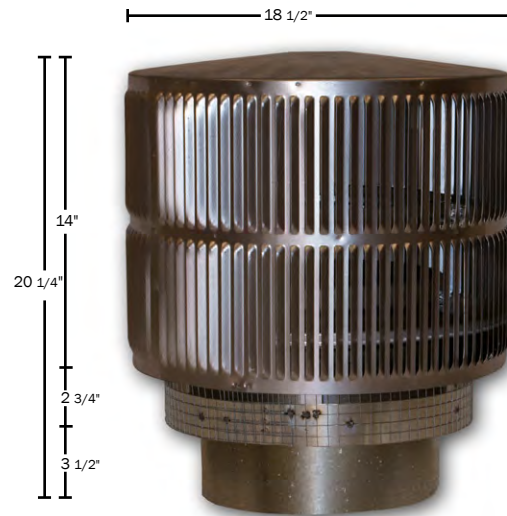


Termination Dimensions

RLT-8DM



RLT-12D

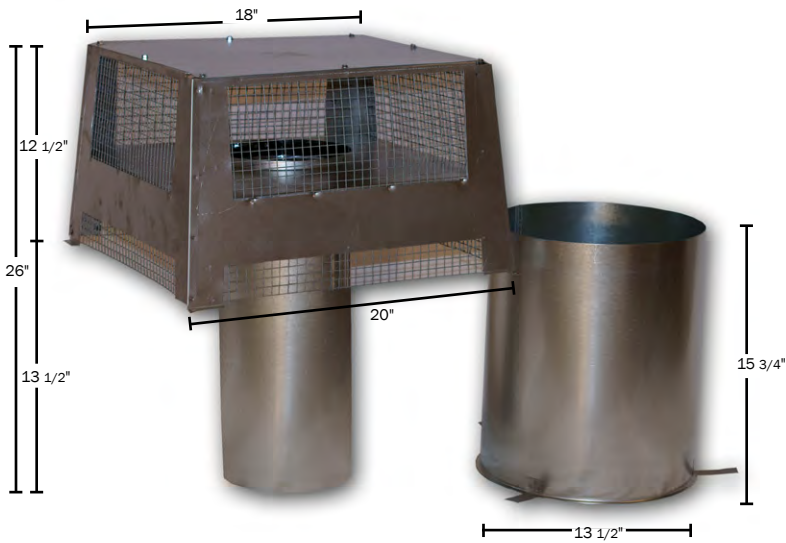


RLTT-8DM

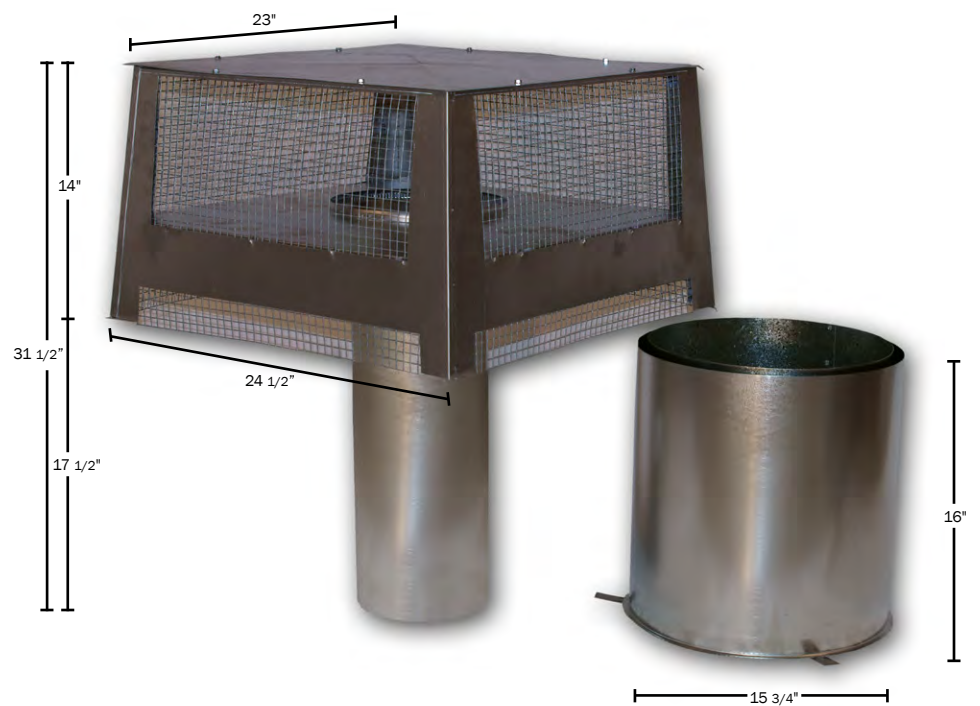


Termination Dimensions

ETO-8DM



ETLO-8DM



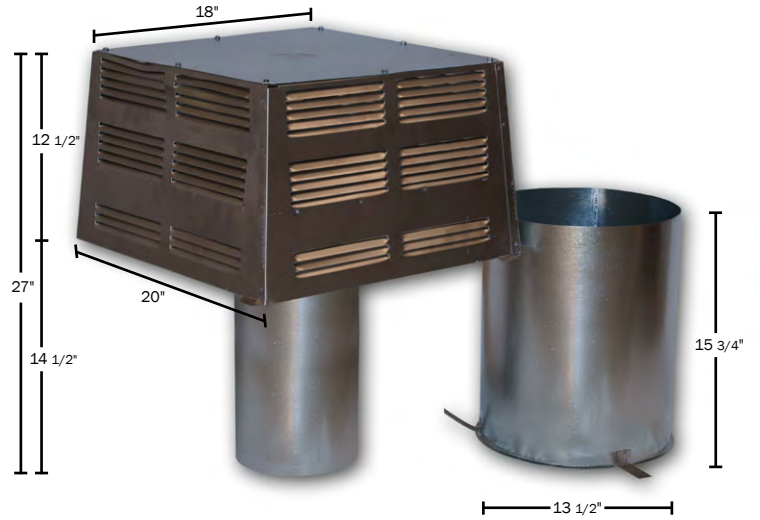
Wood Burning Installation Accessories

Termination Dimensions

ETL-8DM



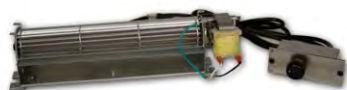
ET-8DM



STL-12D



Wood Burning Installation Accessories



BK



BK3



AK4



30E-8DM



CP-8DM



MW9K-LS

Accessories		
MODEL NUMBER	DESCRIPTION	WEIGHT
Fan Kits		
BK	Variable Speed Blower with Manual Control	5.0 lbs.
BK3	Triple Fan Blower with Manual Control (On/Off)	3.0 lbs.
VCBK4R	Fan System for Multi-View Wood Burning Fireplaces	7.0 lbs.
VCBK4L	Fan System for Multi-View Wood Burning Fireplaces	7.0 lbs.
Outside Combustion Air Kits		
AK4	Complete Kit with Collar, Hood, & 3' Flex	1.0 lb.
AK4X	Collar & Hood Kit Only - No Flex	1.0 lb.
AK4B	50-pc. Bulk Collar Only Kit	20.0 lbs.

8" Standard Pipe (8" inner diameter, 12 3/8" outer diameter)		UL127 Listed 1700 Degree Pipe
MODEL NUMBER	DESCRIPTION	WEIGHT
Vent Kits		
CP-8DM	Roof Flashing with 24" Base, Firestop Spacer, Round Termination Cap, Storm Collar, Flue Extension	19.0 lbs
MW9K-LS	(2) 36" Double Wall Pipe, (2) 18" Double Wall Pipe, Roof Flashing, Storm Collar, Round Termination, Firestop, Thimble Assembly	75.0 lbs
Double Wall Pipe		
12-8DM	12" Double Wall Pipe	4.0 lbs.
18-8DM	18" Double Wall Pipe	6.0 lbs.
24-8DM	24" Double Wall Pipe	8.0 lbs.
36-8DM	36" Double Wall Pipe	11.0 lbs.
48-8DM	48" Double Wall Pipe	15.0 lbs.
12S-8DM	12" Support Pipe (For Systems Over 30')	5.0 lbs.
30E-8DM	30-Degree Offset and Return Elbow Set	12.0 lbs.
Terminations		
RLT-8DM	Round Top with Louvers (Roof or Chase System) (4" Gain)	8.0 lbs.
RLT-8DM-K	Round Top with Louvers (Roof or Chase System) (4" Gain) - Black	8.0 lbs.
RLTT-8DM	Round Top Telescoping with Louvers (Chase System Only) (1-17" Gain)	15.0 lbs.
RT-8DM	Round Top with Mesh Screen (Roof or Chase System) (4" Gain)	7.0 lbs.
RT-8DM-K	Round Top with Mesh Screen (Roof or Chase System) (4" Gain) - Black	7.0 lbs.
RTT-8DM	Round Top Telescoping with Mesh Screen (Chase System Only) (1-17" Gain)	12.0 lbs.
ETL-8DM	Square Top (Chase System Only) (1-12" Gain)	21.0 lbs.
ETL-8DM-K	Square Top (Chase System Only) 1-12" Gain - Black	21.0 lbs.

8" High Temperature Pipe (8" inner diameter, 12 3/8" outer diameter)		UL127 Listed 2100 Degree Pipe (Required in Canada)
MODEL NUMBER	DESCRIPTION	WEIGHT
Double Wall Pipe		
12-8HT	12" Double Wall Pipe	4.0 lbs.
18-8HT	18" Double Wall Pipe	6.0 lbs.
24-8HT	24" Double Wall Pipe	8.0 lbs.
36-8HT	36" Double Wall Pipe	11.0 lbs.
48-8HT	48" Double Wall Pipe	15.0 lbs.
12S-8HT	12" Support Pipe (For Systems Over 30')	5.0 lbs.
30E-8HT	30-Degree Offset and Return Elbow Set	12.0 lbs.
Terminations		
RLT-8HT	Round Top with Louvers (Roof or Chase System) (4" Gain)	8.0 lbs.
RLTT-8HT	Round Top Telescoping with Louvers (Chase System Only) (1-17" Gain)	15.0 lbs.
RT-8HT	Round Top with Mesh Screen (Roof or Chase System) (4" Gain)	7.0 lbs.
RTT-8HT	Round Top Telescoping with Mesh Screen (Chase System Only) (1-17" Gain)	12.0 lbs.
ETL-8HT	Square Top (Chase System Only) (1-12" Gain)	21.0 lbs.

Finishing Accessories for 8" Standard & High Temperature Pipe		
MODEL NUMBER	DESCRIPTION	WEIGHT
V6F-8DM	Flashing 0-6/12 Pitch	6.0 lbs.
V12F-8DM	Flashing 6/12 - 12/12 Pitch	9.0 lbs.

Wood Burning Installation Accessories



SC1-1



3600FS-8DM-1



FS-8DM



ADS-8DM

Finishing Accessories for 8" Standard & High Temperature Pipe

MODEL NUMBER	DESCRIPTION	WEIGHT
SC1-1	Storm Collar Single-Pack	2.0 lbs.
VSC1-20-8DM	Storm Collar 20-Pack	18.0 lbs.
VSC2-20-10DM	Storm Collar 20-Pack	20.0 lbs.
3600FS-8DM-1	1" Clearance Firestop Spacer Single-Pack	1.0 lb.
V3600FS-8DM	1" Clearance Firestop Spacer 24-Pack	24.0 lbs.
FS-8DM	2" Clearance Firestop Spacer Single-Pack	3.0 lbs.
VFS-8DM	2" Clearance Firestop Spacer 24-Pack	38.0 lbs.
30FS-8DM	2" Clearance 30 Degree Firestop Spacer - Single-Pack	3.0 lbs.
38FST	Firestop Thimble (For Penetrating a Joist) Single-Pack	11.0 lbs.
FST30	Firestop Thimble (For Offsetting Through a Joist) Single-Pack	11.0 lbs.
38RS	Roof Support - Single-Pack	11.0 lbs.
ADS-8DM	Anti Draft Shield (Use with RTL or RTTL) Single-Pack	15.0 lbs.
SLK	Shroud Leg Kit (For UL Approved Field Fabricated Shroud Designs)	2.0 lbs.
CAK-8	Cold Air Collar Kit - 8" Chimney	1.8 lbs.

12" Standard Pipe (12" inner diameter, 15 3/8" outer diameter)

UL127 Listed 1700 Degree Pipe

MODEL NUMBER	DESCRIPTION	WEIGHT
Double Wall Pipe		
12-12DM	12" Double Wall Pipe	5.0 lbs.
18-12DM	18" Double Wall Pipe	8.0 lbs.
24-12DM	24" Double Wall Pipe	10.0 lbs.
36-12DM	36" Double Wall Pipe	14.0 lbs.
48-12DM	48" Double Wall Pipe	19.0 lbs.
12S-12DM	12" Support Pipe (For Systems Over 30')	6.0 lbs.
30E-12DM	30-Degree Offset and Return Elbow Set	16.0 lbs.
Terminations		
RLT-12D	Round Top with Louvers (Roof or Chase System) (6 1/2" Gain)	16.0 lbs.
STL-12D	Square Top with Louvers (Chase System Only) (1-12" Gain)	38.0 lbs.
STL-12DMP	Square Top with Louvers and Slip Section - Black	16.0 lbs.

12" High Temperature Pipe (12" inner diameter, 15 3/8" outer diameter) UL127 Listed 2100 Degree Pipe (Required in Canada)

MODEL NUMBER	DESCRIPTION	WEIGHT
Double Wall Pipe		
12-12HT	12" Double Wall Pipe	5.0 lbs.
18-12HT	18" Double Wall Pipe	8.0 lbs.
24-12HT	24" Double Wall Pipe	10.0 lbs.
36-12HT	36" Double Wall Pipe	14.0 lbs.
48-12HT	48" Double Wall Pipe	19.0 lbs.
12S-12HT	12" Support Pipe (For Systems Over 30')	6.0 lbs.
30E-12HT	30-Degree Offset and Return Elbow Set	16.0 lbs.
Terminations		
RLT-12HT	Round Top with Louvers (Roof or Chase System) (6 1/2" Gain)	16.0 lbs.

Finishing Accessories for 12" Standard & High Temperature Pipe

MODEL NUMBER	DESCRIPTION	WEIGHT
V6F-10DM	Flashing 0-6/12 Pitch	7.0 lbs.
V12F-10DM	Flashing 6/12 - 12/12 Pitch	10.0 lbs.
SC2-1	Storm Collar Single-Pack	1.0 lb.
VSC2-20-10DM	Storm Collar 20-Pack	20.0 lbs.
FS-10	2" Clearance Firestop Spacer - Single-Pack	1.0 lb.
VFS-10DM	2" Clearance Firestop Spacer - 12-Pack	38.0 lbs.
30FS-10	2" Clearance 30 Degree Firestop Spacer - Single-Pack	3.0 lbs.
FST10	Firestop Thimble (For Offsetting Through a Joist) Single-Pack	12.0 lbs.
SLK	SLK Shroud Leg Kit (For UL Approved Field Fabricated Shroud Designs)	2.0 lbs.
CAK-12	Cold Air Collar Kit - 12" Chimney	1.8 lbs.

Direct-Vent Gas Installation Accessories

Double Wall Pipe

FMI Products direct-vent pipe features a "double wall" or an inner and outer pipe. The outer pipe, made of galvanized steel, allows outside air to enter into the fireplace, while the inner pipe, made of stainless steel, emits the gases out of the fireplace.

FMI Products Double Wall Pipe is available in a variety of lengths from 6" to 48". In addition, two diameters 4 1/4" x 7 1/4" (referred to as 4"x7" in this literature) and 5"x8" pipe are available depending on the fireplace being installed.

Best of all, FMI Products patented Twist-Lock design provides easy assembly for the qualified installer.



Galvanized

Direct-Vent Pipe Steel Gauge Thickness:

4"x7" / 5"x8" Inner: 30

4"x7" / 5"x8" Outer: 26



6"

P58-6



Adjustable
7" - 12"

PA58-712



12"

P58-12



24"

P58-24



36"

P58-36



48"

P58-48

Direct-Vent Gas Installation Accessories

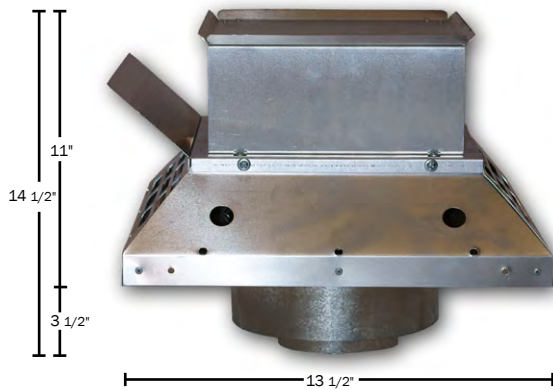
4x7" Terminations

For outstanding corrosion and rust resistance, choose from a selection of galvanized terminations. Galvanized terminations offer a long life span and great value, and are able to withstand tough and wet conditions extremely well.

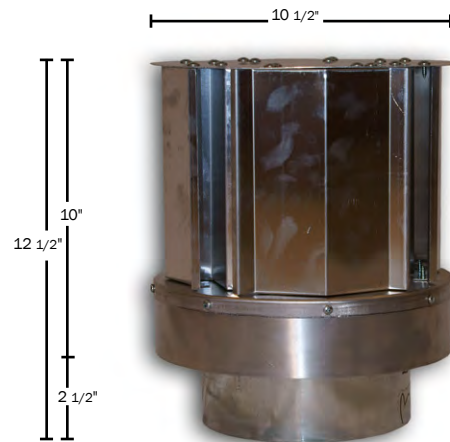
Engineered exclusively for FMI Products 4"x7" Double Wall Direct-Vent Pipe, you can rest assured your venting system will be properly sealed and provide the best air circulation for your fireplace.



HTS-47



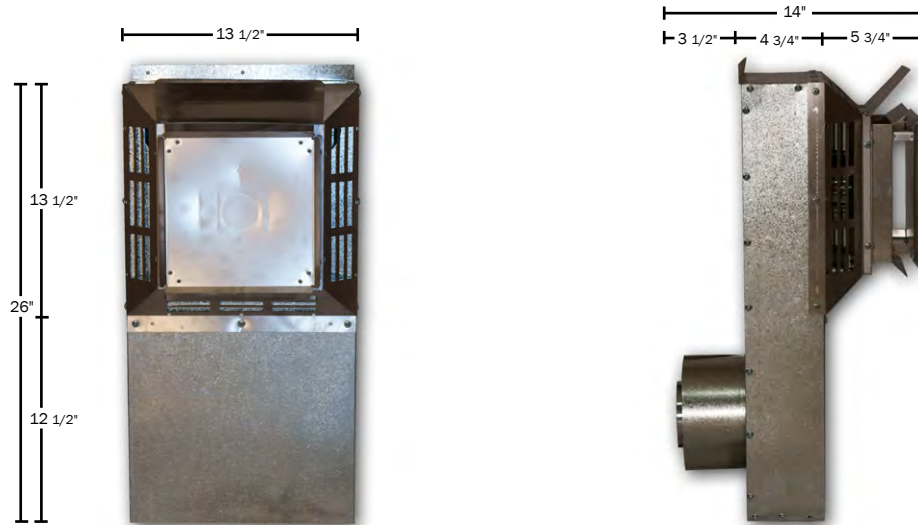
VT-47



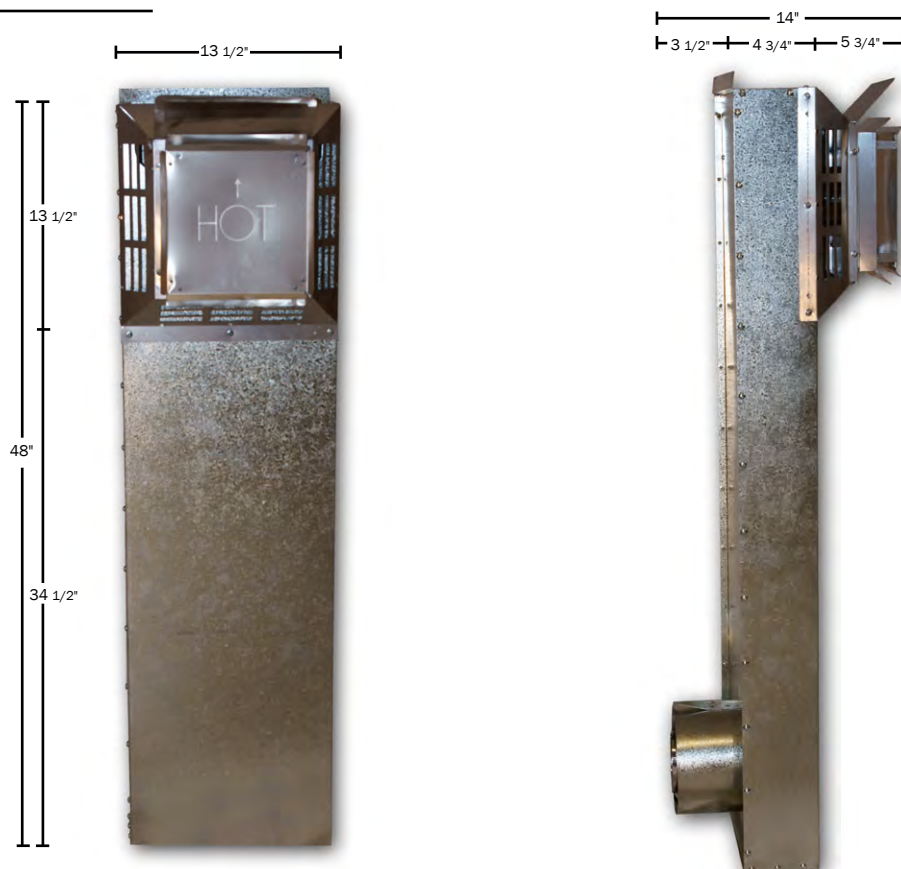
Direct-Vent Gas Installation Accessories

4x7" Termination Dimensions

ST-47-14



ST-47-36



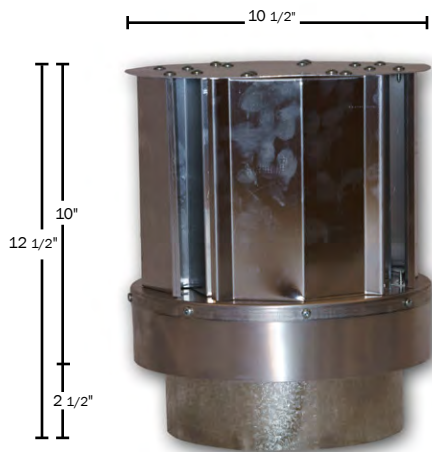
5x8" Terminations

For outstanding corrosion and rust resistance, choose from a selection of galvanized terminations. Galvanized terminations offer a long life span and great value, and are able to withstand tough and wet conditions extremely well.

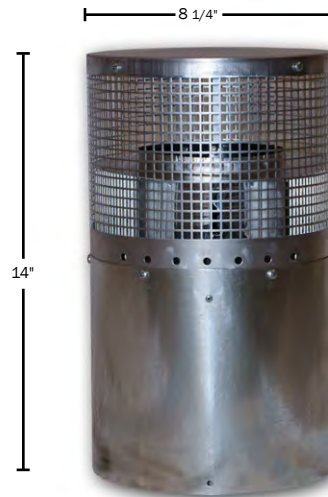
Engineered exclusively for FMI Products 5"x8" Double Wall Direct-Vent Pipe, you can rest assured your venting system will be properly sealed and provide the best air circulation for your fireplace.



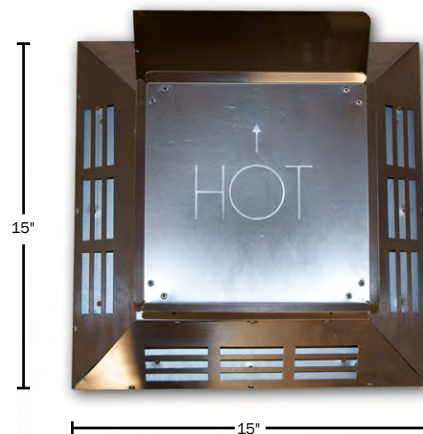
VT-58



HHT-58



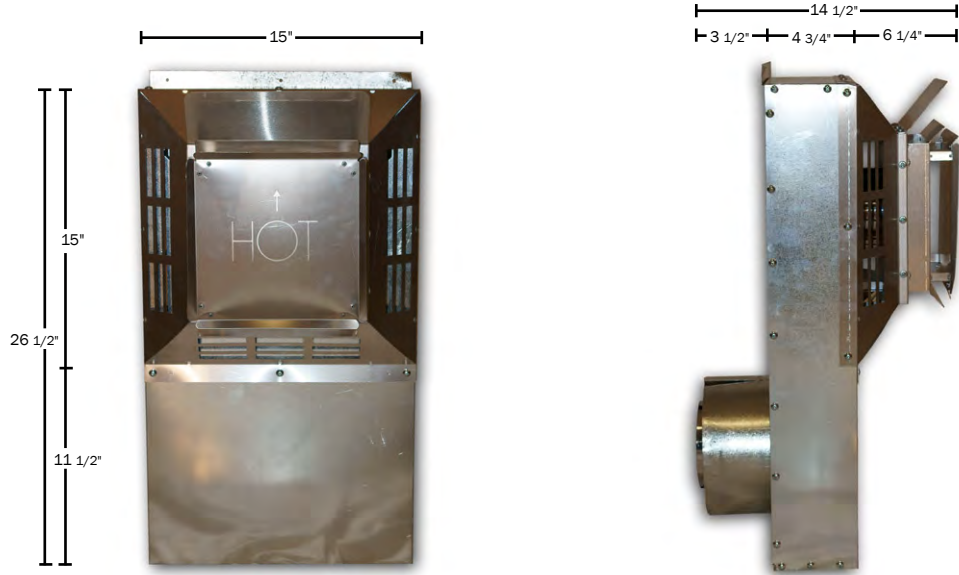
HTS-58



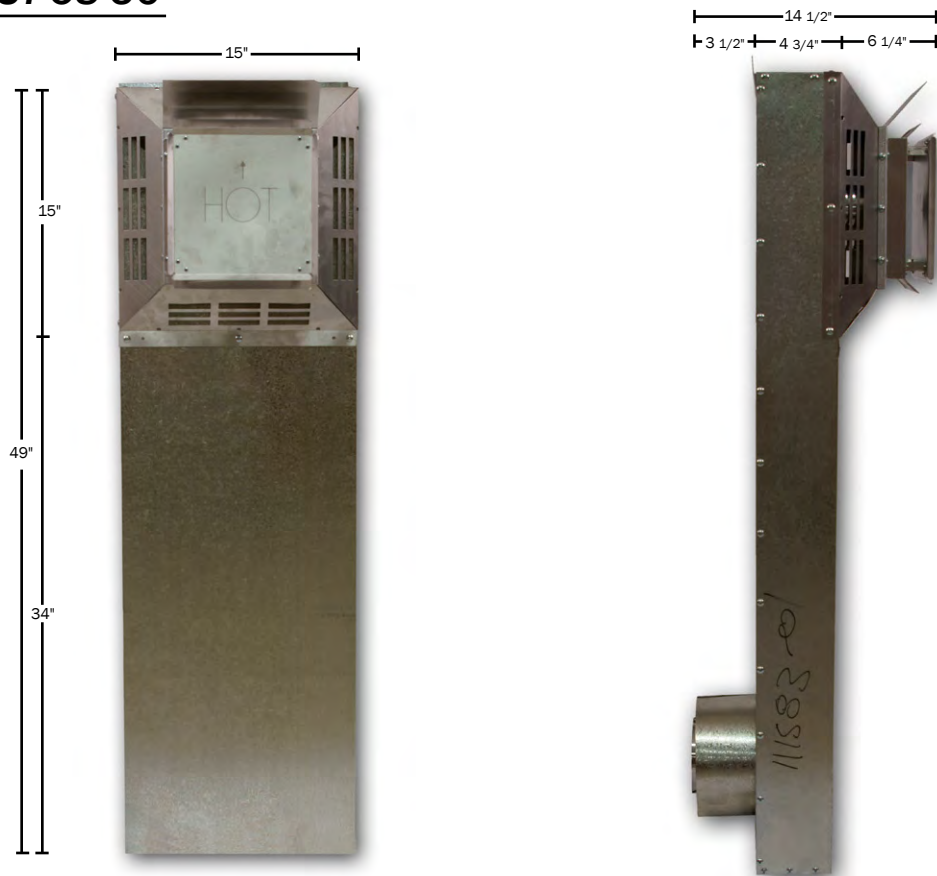
Direct-Vent Gas Installation Accessories

5x8" Termination Dimensions

ST-58-14



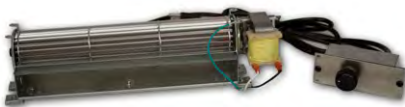
ST-58-36



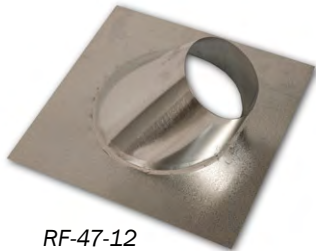
Direct-Vent Gas Installation Accessories



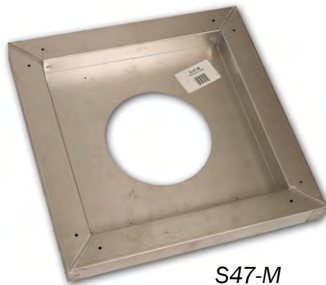
TRC



BKT



RF-47-12



S47-M



VR-47

Accessories		
MODEL NUMBER	DESCRIPTION	WEIGHT
Remote Controls		
MRC	Receiver and Hand-Held On/Off Remote Control Kit	1.0 lb.
TRC	Receiver and Hand-Held T-Stat Remote Control Kit	1.0 lb.
WRC	Receiver and Hand-Held On/Off Remote Control Kit for Electronic Ign.	1.0 lb.
GWMT1	Wall Mount Thermostatic Control Kit	1.0 lb.
GWMS2	Wall Mount On/Off Switch Kit	1.0 lb.
MRCN	Multi-Function Remote Control - Natural Gas	3.0 lbs.
MRCP	Multi-Function Remote Control - LP Gas	3.0 lbs.
Fan Kits		
BK	Variable Speed Blower with Manual Control	5.0 lbs.
BKT	Variable Speed Blower with Thermostatic Control	5.0 lbs.
DVFFBK	Variable Speed Blower with Manual Control for Multi-View Fireplace	5.0 lbs.

4x7" Pipe (4" inner diameter, 7" outer diameter)		For Use on Select Models
MODEL NUMBER	DESCRIPTION	WEIGHT
Pipe Sections		
P47-6	6" Section Double Wall Pipe- Galvanized	1.0 lb.
P47-12	12" Section Double Wall Pipe- Galvanized	2.0 lbs.
P47-24	24" Section Double Wall Pipe- Galvanized	4.0 lbs.
P47-36	36" Section Double Wall Pipe- Galvanized	6.0 lbs.
P47-48	48" Section Double Wall Pipe- Galvanized	8.0 lbs.
PA47-712	7" - 12" Adjustable Wall Pipe- Galvanized	2.0 lbs.
Elbows		
E47-45	45 degree Elbow - Galvanized	2.0 lbs.
E47-90	90 degree Elbow - Galvanized	2.0 lbs.
Terminations		
HTS-47	Horizontal Square Termination - Galvanized	5.0 lbs.
VT-47	Vertical Round Termination - Galvanized	5.0 lbs.
ST-47-14	14" Snorkel Termination - Galvanized	14.0 lbs.
ST-47-36	36" Snorkel Termination - Galvanized	24.0 lbs.
Finishing Accessories		
FP-47	Firestop Plate	2.0 lbs.
RF-47-6	Roof Flashing - 0 to 6/12 Pitch - Galvanized	5.0 lbs.
RF-47-12	Roof Flashing - 6/12 to 12/12 Pitch - Galvanized	5.0 lbs.
S-47-M	Vinyl Siding Standoff - Galvanized	3.0 lbs.
SC-47	Storm Collar - Galvanized	5.0 lbs.
VR-47	Vertical Restrictor - Galvanized	1.0 lb.
WF-47	Wall Firestop - Galvanized	3.0 lbs.

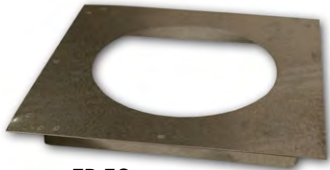
Direct-Vent Gas Installation Accessories



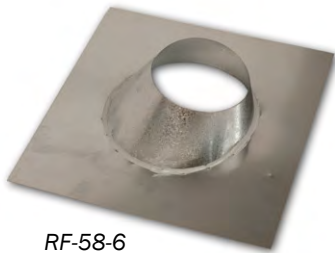
E58-45



E58-90



FP-58



RF-58-6



SC-58



WF-58

5x8" Pipe (5" inner diameter, 8" outer diameter)

MODEL NUMBER	DESCRIPTION	WEIGHT
Vent Kits		
VKG-58	Ground Floor Vent Kit - Galvanized (45° Elbow, 7" - 12" Adj Pipe, Wall Firestop, Horiz. Square Termination, Screws - 16 ea.)	15.0 lbs.
VKB-58	Basement Vent Kit - Galvanized (45° Elbow, 7" - 12" Adj. Pipe, Wall Firestop, Horiz. Square Termination, 4' Pipe, 90° Elbow, Screws - 20 ea.)	15.0 lbs.
VKF58-927	Flex-Vent Kit (17.5" - 35.5" Section Flex Pipe, Sq. Termination, Wall Firestop)	15.0 lbs.
VKS-58	Snorkel Vent Kit - Galvanized (45° Elbow, 7" - 12" Adj Pipe, Wall Firestop, 36" Snorkel Termination, 4' Pipe, 90° Elbow, Screws - 26 ea.)	40.0 lbs.
VKR-58	Roof Vent Kit - Galvanized (45° Elbow, 7" - 12" Adj Pipe, Flue Restrictor, Vertical High Wind Termination, 2' Pipe, 4' Pipe, Firestop, Storm Collar, Roof Flashing (0/12-6/12), Screws - 18 ea.)	25.0 lbs.
VKC-58	Corner Vent Kit - Galvanized (45° Elbow 7" - 12" Adj Pipe, Wall Firestop, Horiz. Square Termination, 6" Pipe, 90° Elbow, Screws - 18 ea.)	15.0 lbs.
HHTK-58	Horizontal Round Termination Kit (Rnd. Termination, Wall Firestop, 45° Elbow)	7.5 lbs.
HTKS-58	Horizontal Square Termination Kit (Sq. Termination, Wall Firestop, 45° Elbow)	7.5 lbs.
Pipe Sections		
P58-6	6" Section Double Wall Pipe- Galvanized	1.0 lb.
P58-12	12" Section Double Wall Pipe- Galvanized	2.0 lbs.
P58-24	24" Section Double Wall Pipe- Galvanized	4.0 lbs.
P58-36	36" Section Double Wall Pipe- Galvanized	6.0 lbs.
P58-48	48" Section Double Wall Pipe- Galvanized	8.0 lbs.
PA58-712	Adjustable 7" - 12" Section Double Wall Pipe - Galvanized	2.0 lbs.
FPA58-6	6" Duravent Collar to FMI Products Pipe Adapter (6" Collar/Pipe Section)	1.0 lb.
PF58-927	17.5" - 27" Section Flex Pipe	3.5 lbs.
PF58-1236	20.5" - 36" Section Flex Pipe	2.0 lbs.
PF58-1854	26.5" - 54" Section Flex Pipe	2.0 lbs.
Elbows		
E58-45	45 degree Elbow - Galvanized	2.0 lbs.
E58-90	90 degree Elbow - Galvanized	2.0 lbs.
FSE58-45	45 degree Starter Elbow - Galvanized (Duravent collar to FMI Products Pipe)	2.0 lbs.
Terminations		
HHT-58	High Wind Horizontal Round Termination - Galvanized	2.0 lbs.
HTS-58	Horizontal Square Termination - Galvanized	5.0 lbs.
VT-58	Vertical Round Termination - Galvanized	5.0 lbs.
ST-58-14	14" Snorkel Termination - Galvanized	13.0 lbs.
ST-58-36	36" Snorkel Termination - Galvanized	20.0 lbs.
Finishing Accessories		
CS-58	Cathedral Ceiling Firestop Support	2.0 lbs.
FP-58	Firestop Plate	1.2 lbs.
FTA-58	Firestop Thimble Kit	7.0 lbs.
RF-58-6	Roof Flashing - 0 to 6/12 Pitch - Galvanized	5.0 lbs.
RF-58-12	Roof Flashing - 6/12 to 12/12 Pitch - Galvanized	5.0 lbs.
S-58	Vinyl Siding Standoff - Galvanized	5.0 lbs.
SC-58	Storm Collar - Galvanized	0.7 lb.
SF-58	Stucco Flashing - For Use with HTS-58	1.5 lbs.
VR-58	Vertical Restrictor - Galvanized	0.5 lb.
WF-58	Wall Firestop - Galvanized	0.5 lb.
WS-58	Wall Strap	0.5 lb.

IMPORTANT

Installation must be done by qualified service persons.
Read Owner's Manual before using.
Check local codes and ordinances for permitted uses.



Look For Us Online
www.fmiproducts.com

