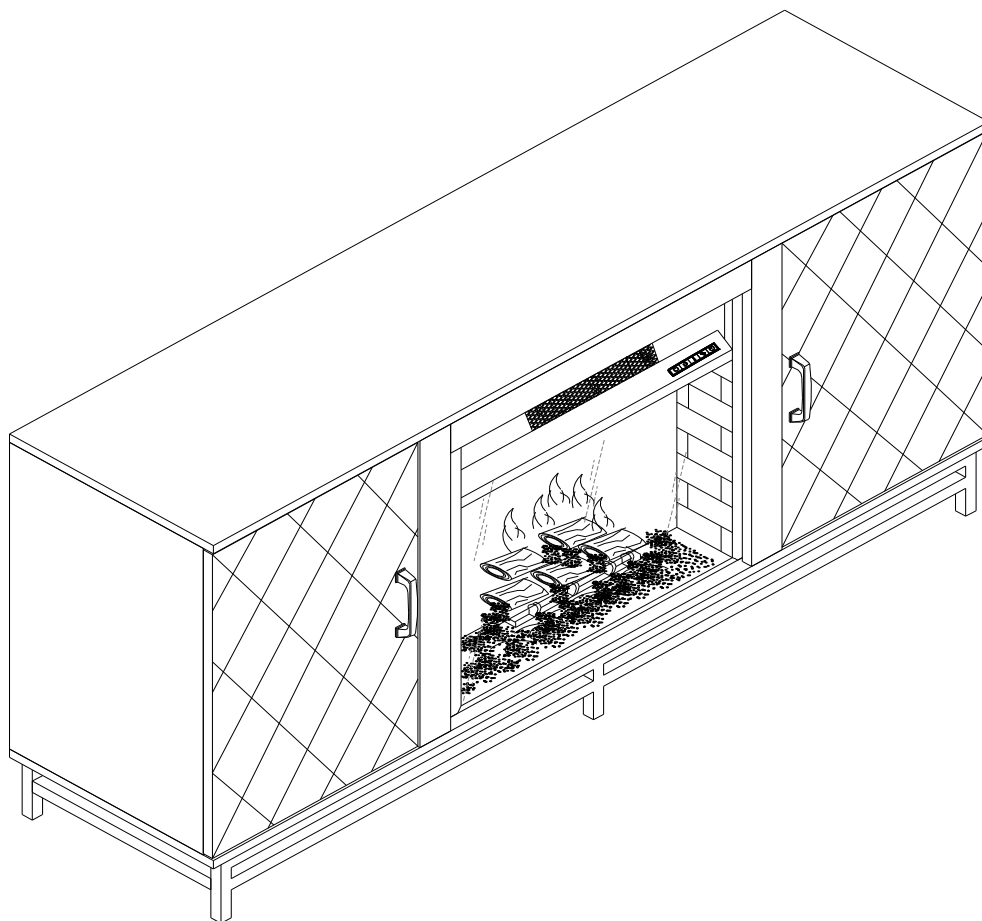


# Assembly | Asambla | Assemblage

PO#

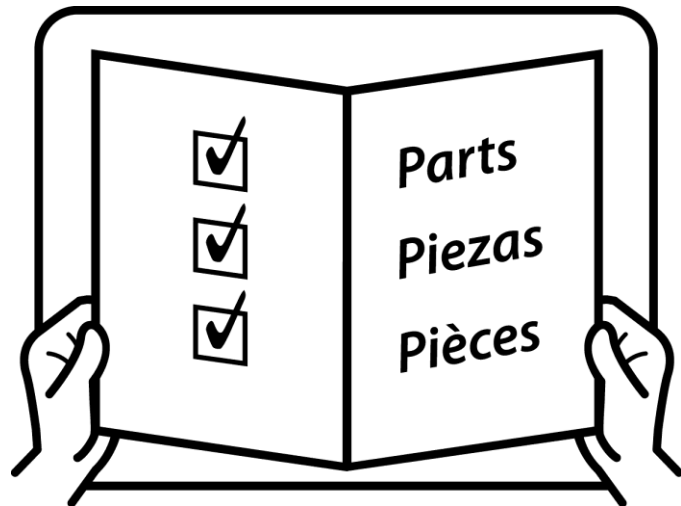
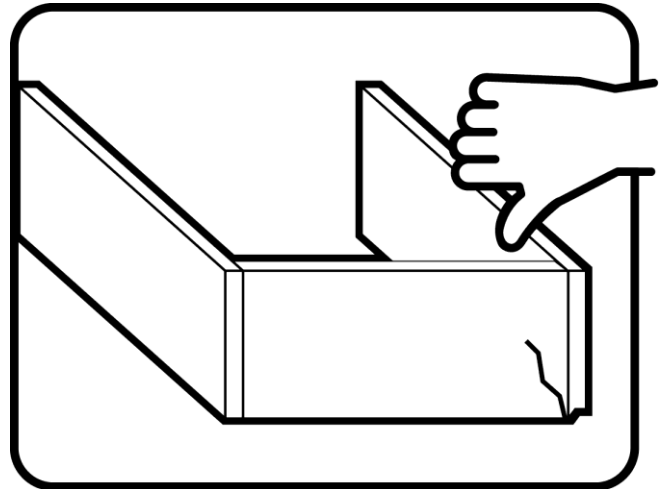
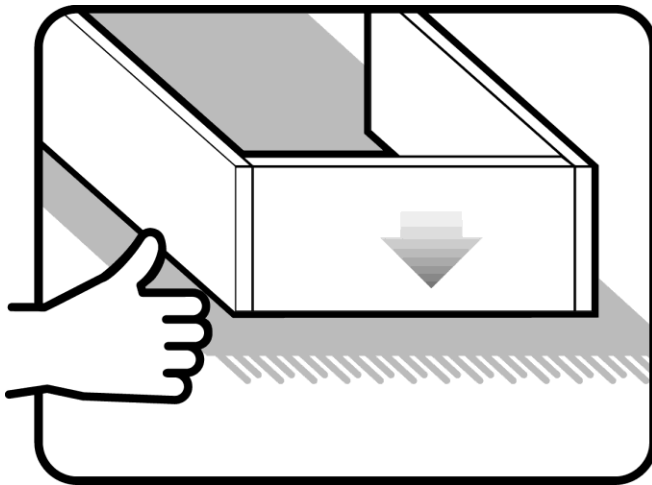
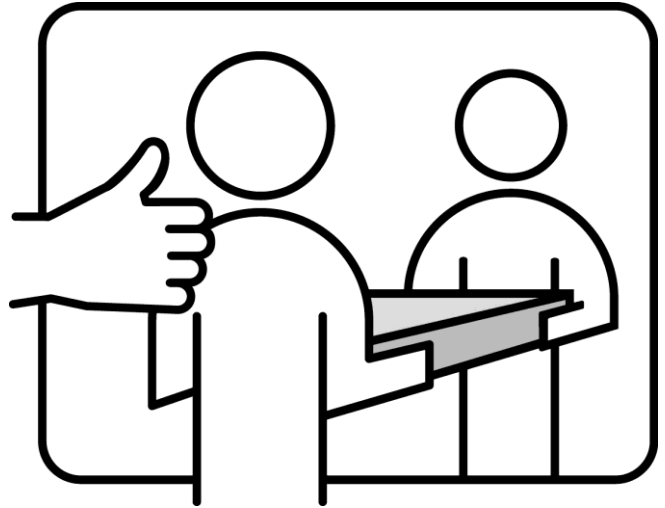
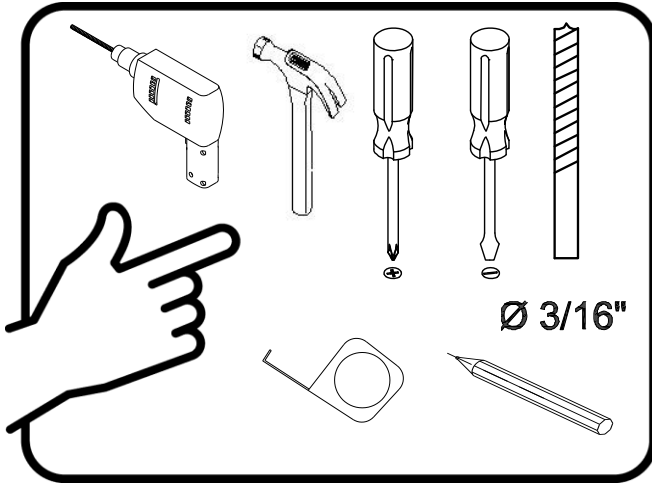
Customer service | Servicio al cliente | Service clientèle: 800.633.5096



Product number | Número de producto | Numéro de produit  
FA1095756

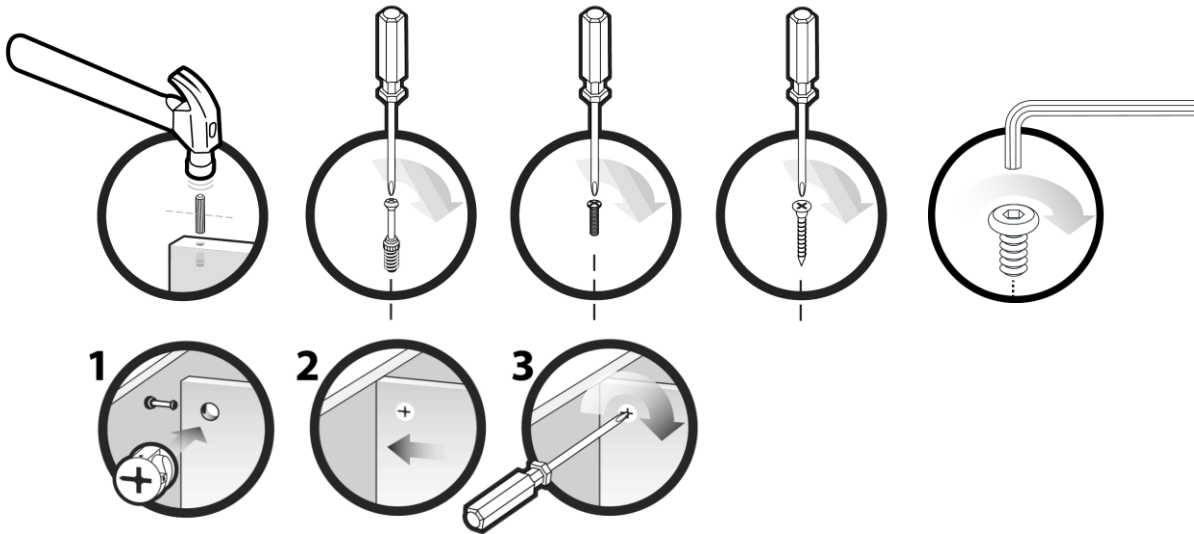
Thank you for your purchase! | ¡Gracias por tu compra! | Merci pour votre achat!

# Assembly | Asambla | Assemblage



# Assembly | Asamblea | Assemblage

## Techniques | Técnicas | Techniques



## Care | Cuidado | Entretien



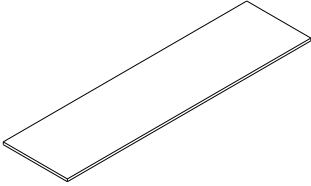
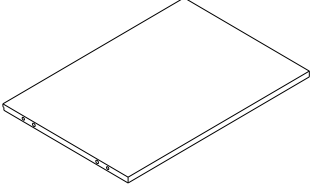
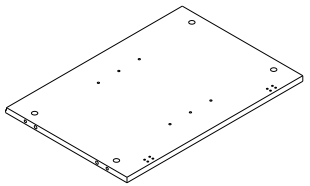
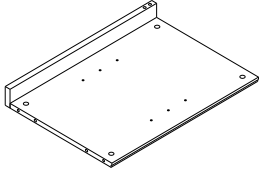
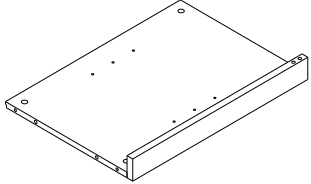
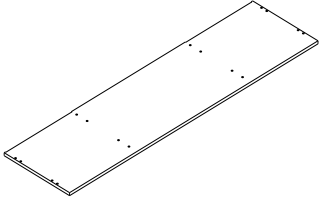
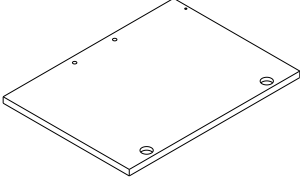
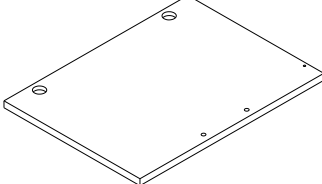
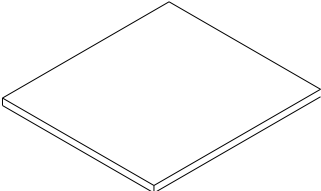
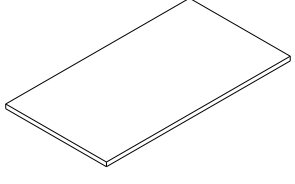
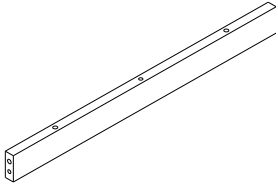
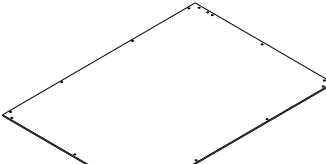
## Safety | Seguridad | Sécurité



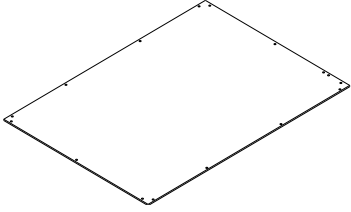
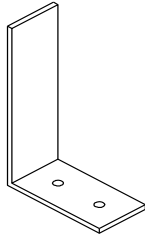
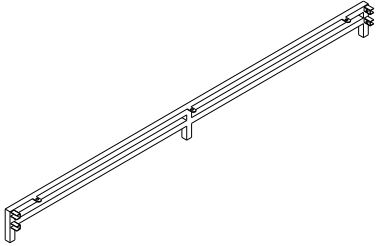
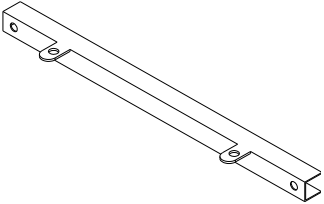
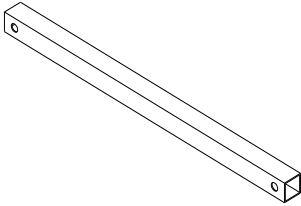
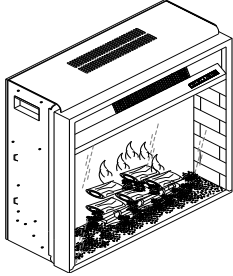
## Note! | ¡Nota! | Remarque!




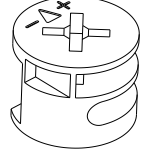
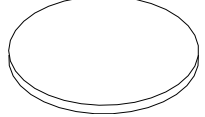
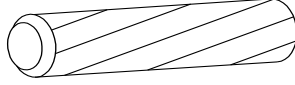
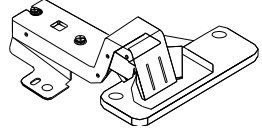
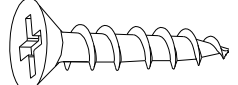
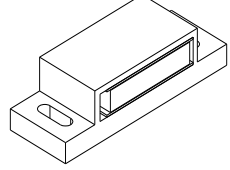
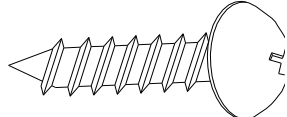
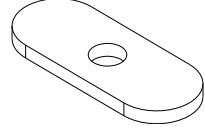
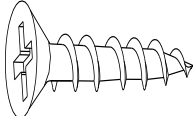
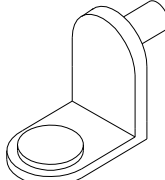
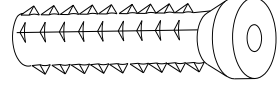
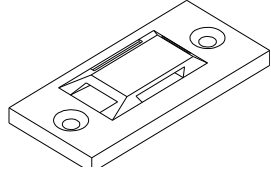
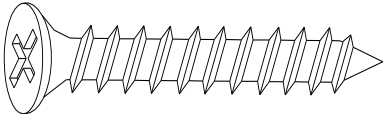

# Assembly | Asamblea | Assemblage

<p><b>A</b> x1</p>  <p>Top panel Panel superior Panneau supérieur</p>	<p><b>B</b> x1</p>  <p>Left side panel Panel lateral izquierdo Panneau latéral gauche</p>	<p><b>C</b> x1</p>  <p>Right side panel Panel lateral derecho Panneau latéral droit</p>
<p><b>D</b> x1</p>  <p>Left middle panel Panel central izquierdo Panneau central gauche</p>	<p><b>E</b> x1</p>  <p>Right middle panel Panel central derecho Panneau central droit</p>	<p><b>F</b> x1</p>  <p>Bottom panel Panel inferior Panneau du bas</p>
<p><b>G</b> x1</p>  <p>Left door panel Panel de la puerta izquierda Panneau de porte gauche</p>	<p><b>H</b> x1</p>  <p>Right door panel Panel de la puerta derecha Panneau de porte droit</p>	<p><b>I</b> x2</p>  <p>Adjustable shelf panel (side) Panel de repisa ajustable (lateral) Panneau de tablette réglable (côté)</p>
<p><b>J</b> x1</p>  <p>Adjustable shelf panel (middle) Panel de estante ajustable (centro) Panneau de tablette réglable (milieu)</p>	<p><b>K</b> x1</p>  <p>Upper front panel Panel frontal superior Panneau avant supérieur</p>	<p><b>L</b> x1</p>  <p>Left back panel Panel trasero izquierdo Panneau arrière gauche</p>


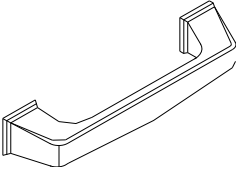
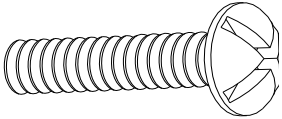
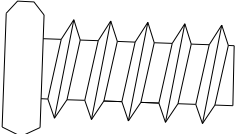
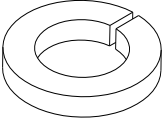
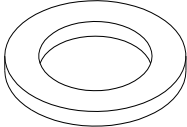
# Assembly | Asamblea | Assemblage

<p>M x1</p>  <p>Right back panel Panel trasero derecho Panneau arrière droit</p>	<p>N x2</p>  <p>Iron bracket Soporte de hierro Support en fer</p>	<p>O x2</p>  <p>Connector rail Riel conector Rail de connexion</p>
<p>P x2</p>  <p>Connector rail (side) Carril conector (lateral) Rail de connexion (latéral)</p>	<p>Q x2</p>  <p>Connect bar Barra de conector Barre de connexion</p>	<p>R x1</p>  <p>Firebox (separate carton) Firebox (caja de cartón separada) Foyer (carton séparé)</p>

# Assembly | Asamblea | Assemblage

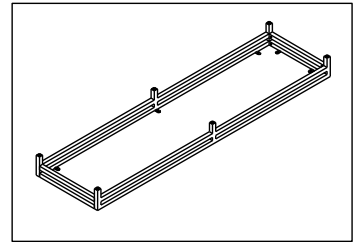
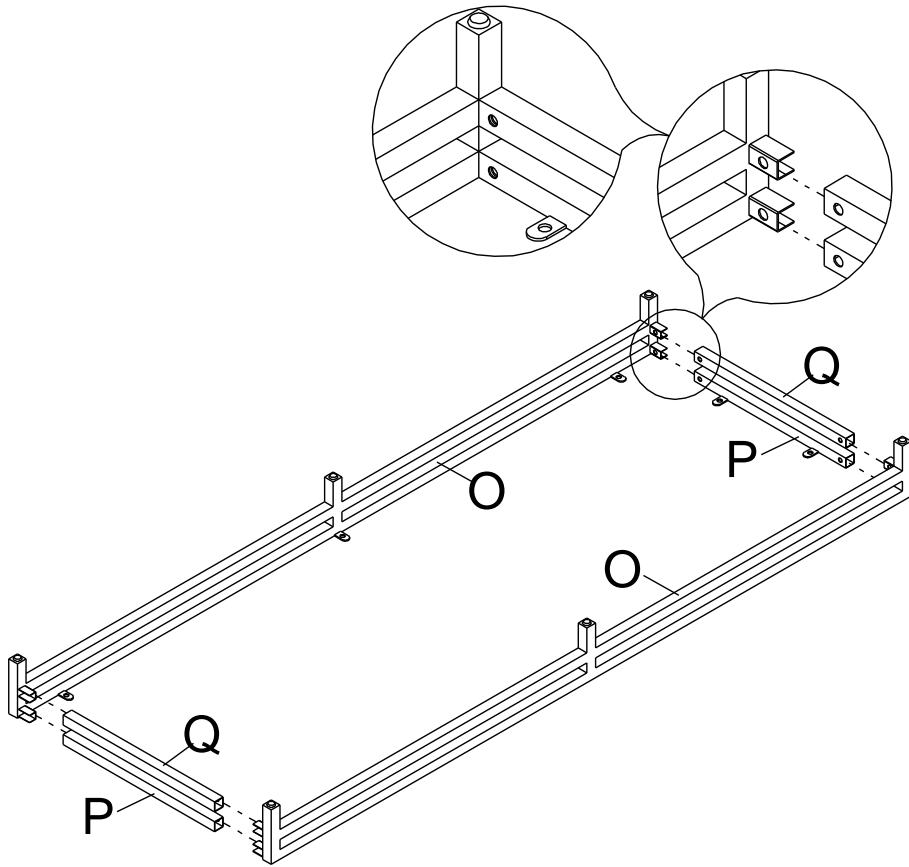
<p>1 x19</p>  <p>Cam bolt Perno de leva Boulon à came</p>	<p>2 x19</p>  <p>Cam lock Bloqueo de la leva Serrure à came</p>	<p>3 x19</p>  <p>Cover Tapa Couverture</p>
<p>4 x20</p>  <p>Wood dowel Taco de madera Cheville en bois <math>\phi 8 \times 30 \text{mm}</math></p>	<p>5 x4</p>  <p>Hinge Bisagra Charnière</p>	<p>6 x32</p>  <p>Screw Tornillo Vis <math>\phi 1/4" \times 15 \text{mm}</math></p>
<p>7 x2</p>  <p>Magnet Imán Aimant</p>	<p>8 x32</p>  <p>Screw Tornillo Vis <math>\phi 1/4" \times 15 \text{mm}</math></p>	<p>9 x2</p>  <p>Magnet plate Placa de imán Plaque magnétique</p>
<p>10 x2</p>  <p>Screw Tornillo Vis <math>\phi 1/4" \times 12 \text{mm}</math></p>	<p>11 x12</p>  <p>Shelf pin Estante pin Goupille d'étagère</p>	<p>12 x4</p>  <p>Anchor Ancla Ancre</p>
<p>13 x4</p>  <p>Bracket Soporte Support</p>	<p>14 x4</p>  <p>Screw Tornillo Vis <math>\phi 1/4" \times 38 \text{mm}</math></p>	<p>15 x2</p>  <p>Tie Lazo L'attache</p>

# Assembly | Asamblea | Assemblage

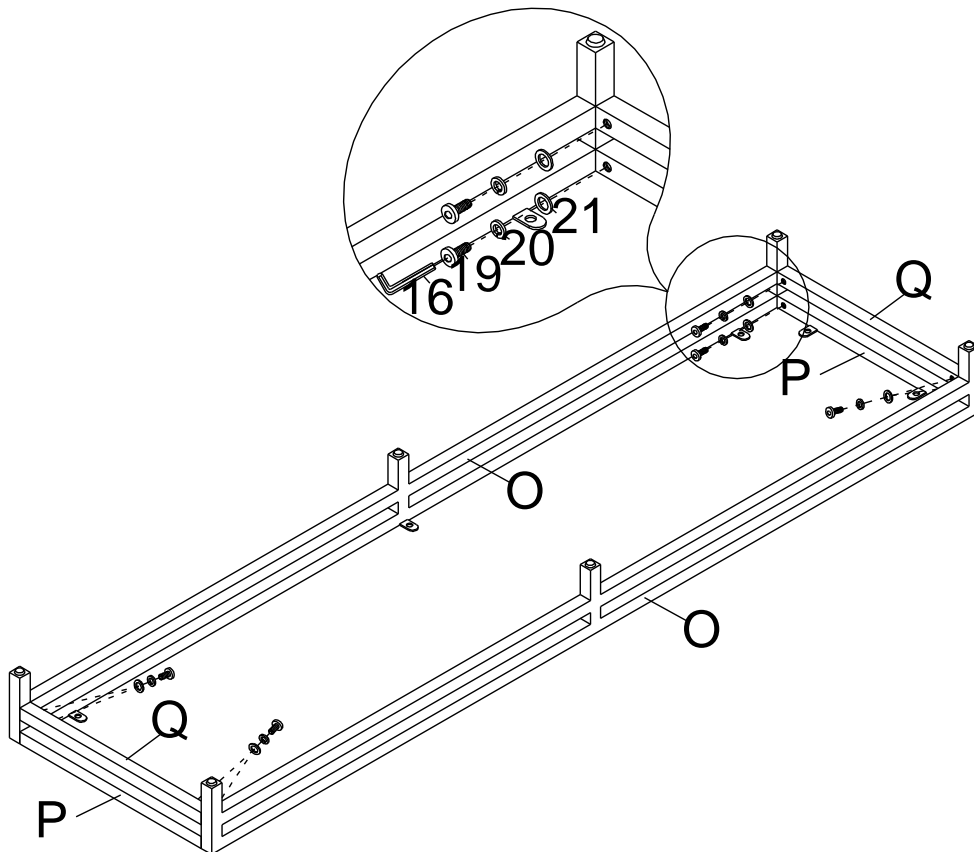
<p>16 <span style="float: right;">x1</span></p>  <p>Allen wrench Llave Allen Clé Allen</p>	<p>17 <span style="float: right;">x2</span></p>  <p>Handle Mango Poignée</p>	<p>18 <span style="float: right;">x4</span></p>  <p>Bolt Tornillo Boulon <span style="float: right;"><math>\phi 5/32</math>"x1-1/8"mm</span></p>
<p>19 <span style="float: right;">x18</span></p>  <p>Bolt Tornillo Boulon <span style="float: right;"><math>\phi 1/4</math>"x3/4"mm</span></p>	<p>20 <span style="float: right;">x18</span></p>  <p>Spring washer Arandela de resorte Rondelle élastique</p>	<p>21 <span style="float: right;">x18</span></p>  <p>Flat washer Arandela plana Rondelle plate</p>





# Assembly | Asambla | Assemblage

1



2

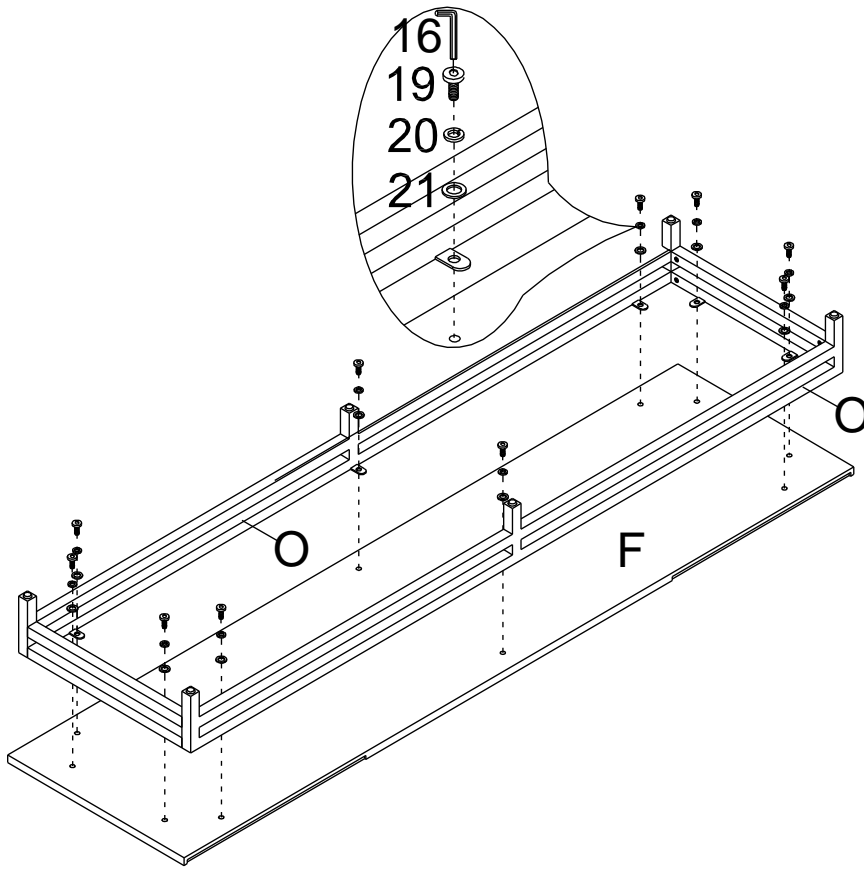





16		X1
19		X8
20		X8
21		X8

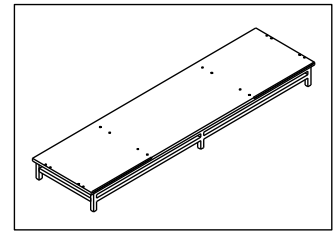


# Assembly | Asambla | Assemblage

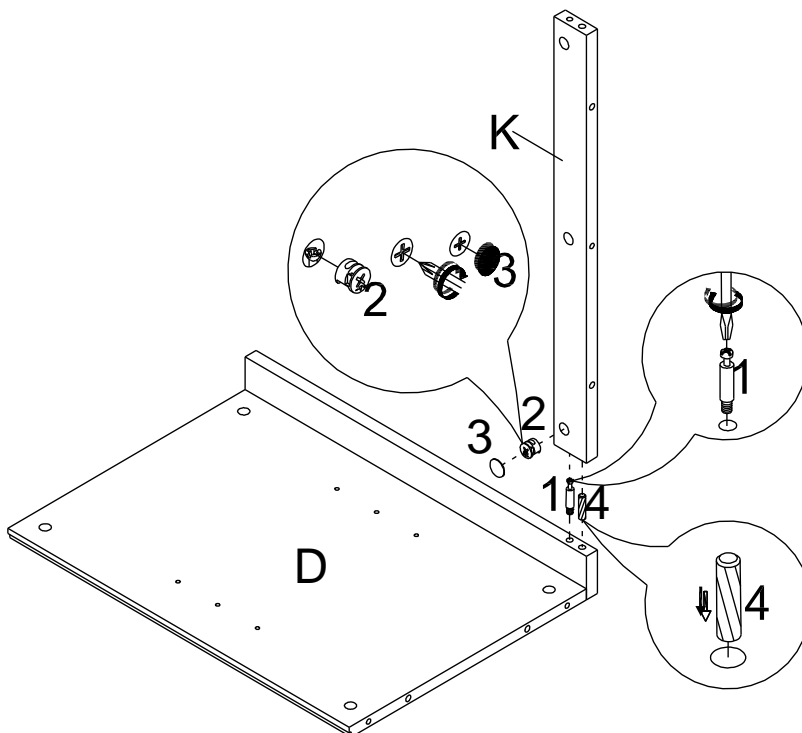
3

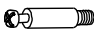





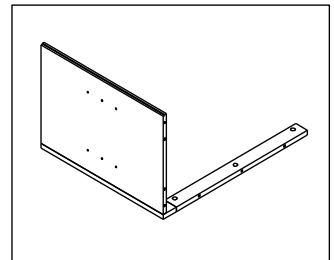
19		X10
20		X10
21		X10



4

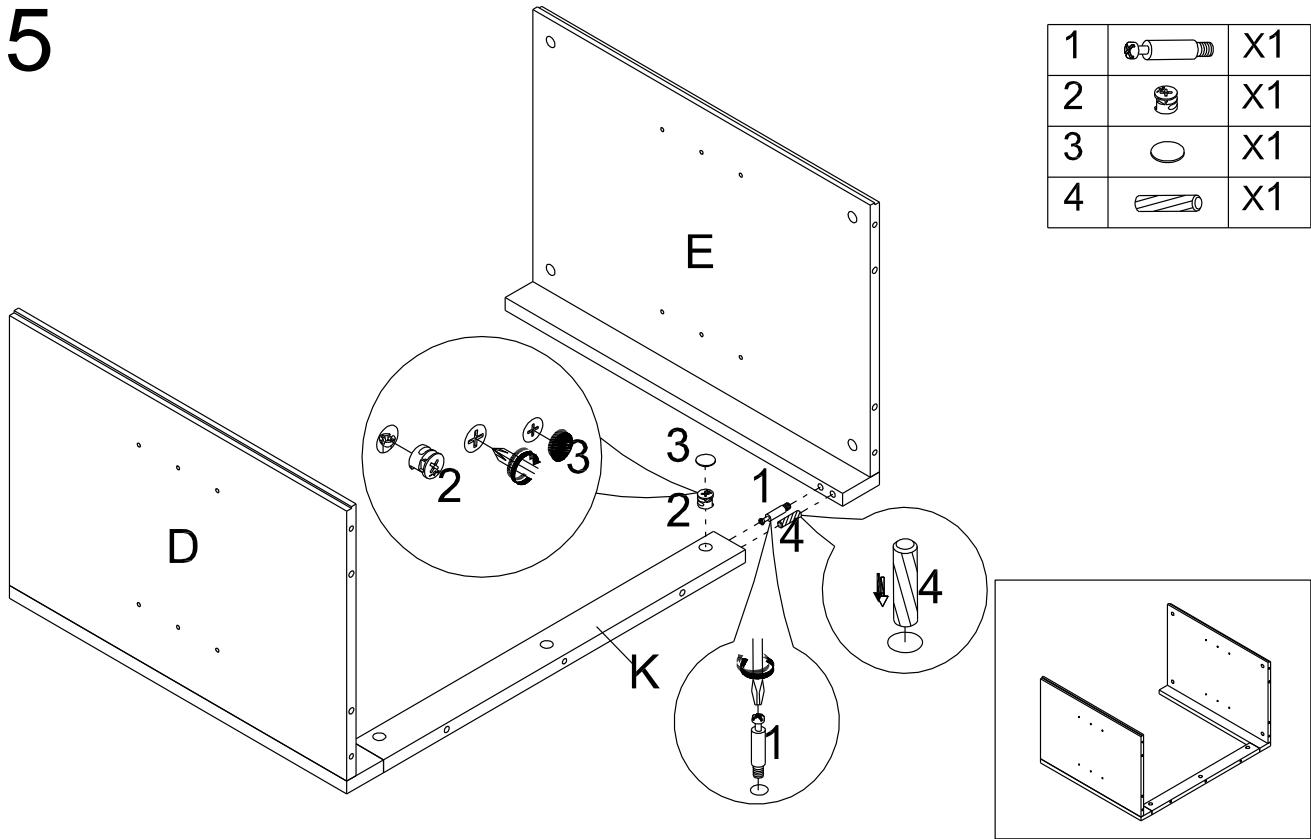


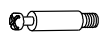



1		X1
2		X1
3		X1
4		X1



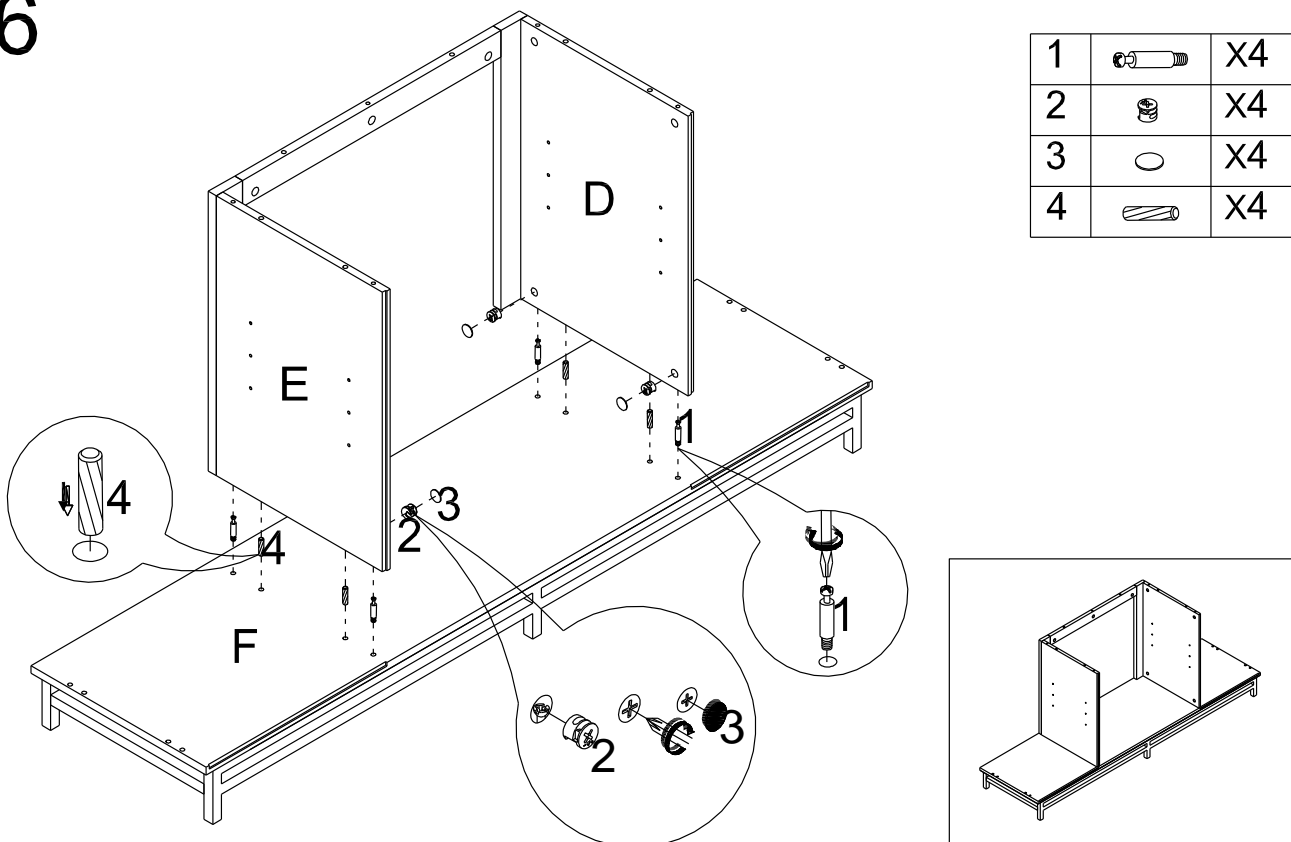
# Assembly | Asambla | Assemblage

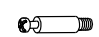


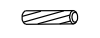
5



1		X1
2		X1
3		X1
4		X1

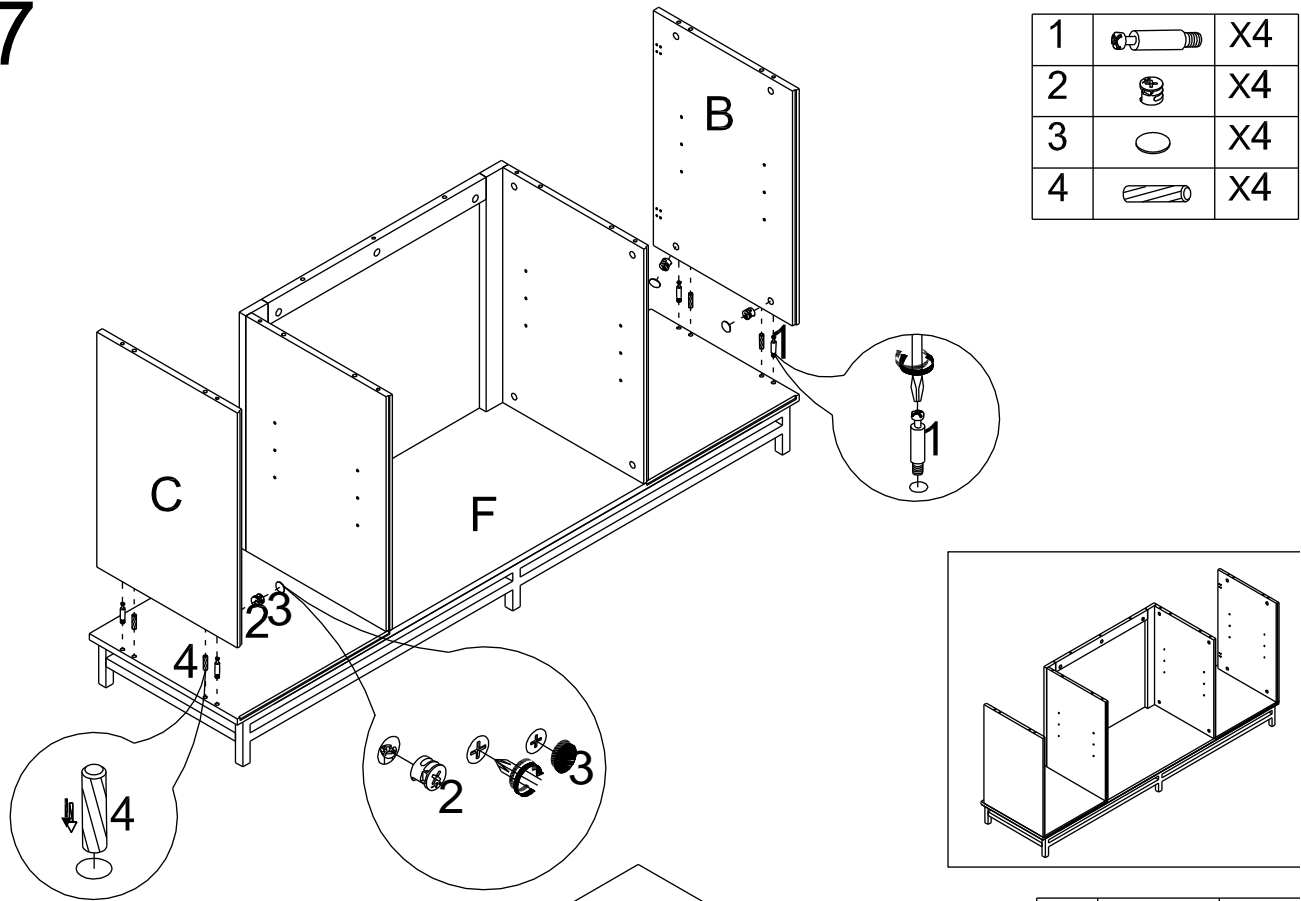
6



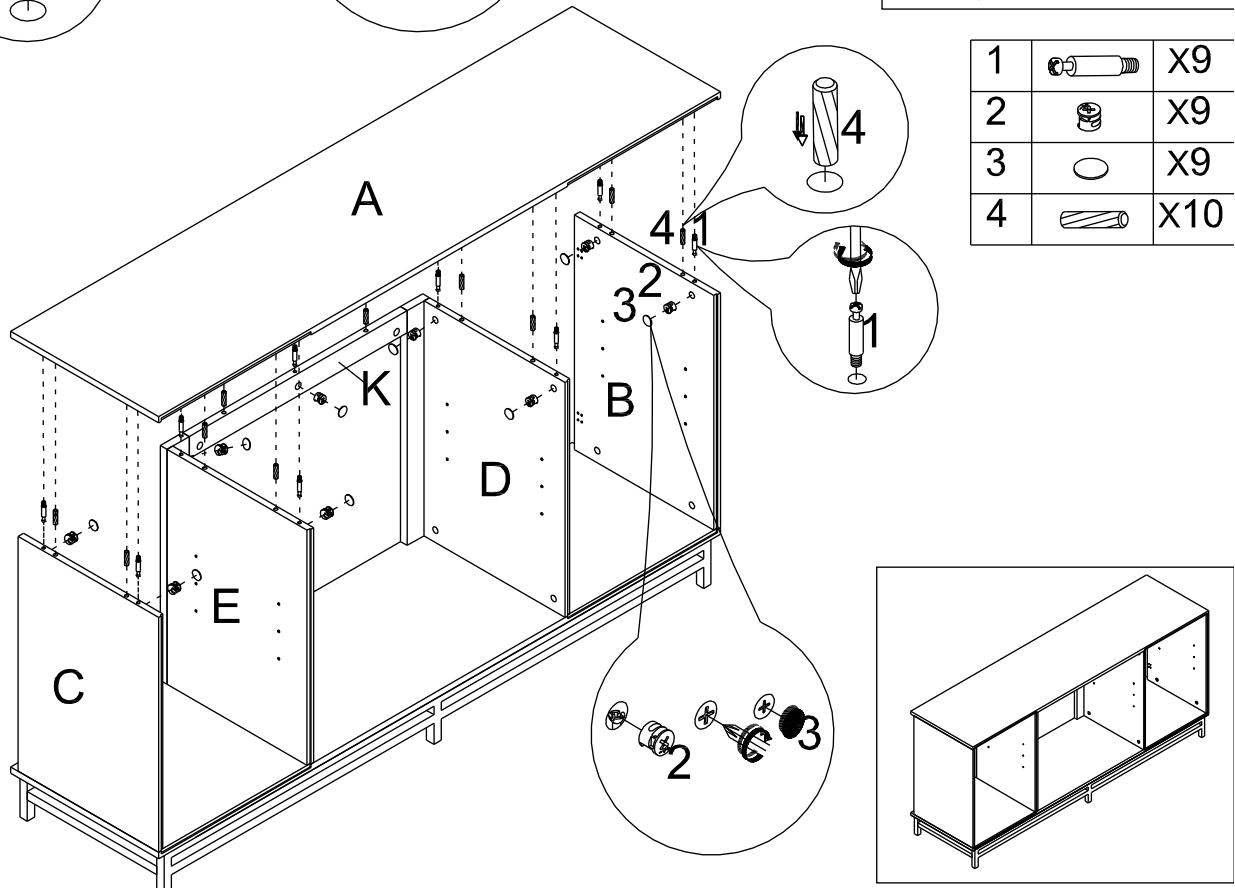
1		X4
2		X4
3		X4
4		X4

# Assembly | Asambla | Assemblage

7

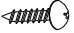


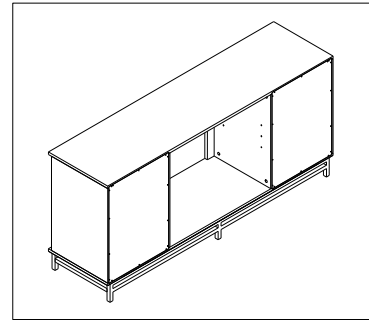
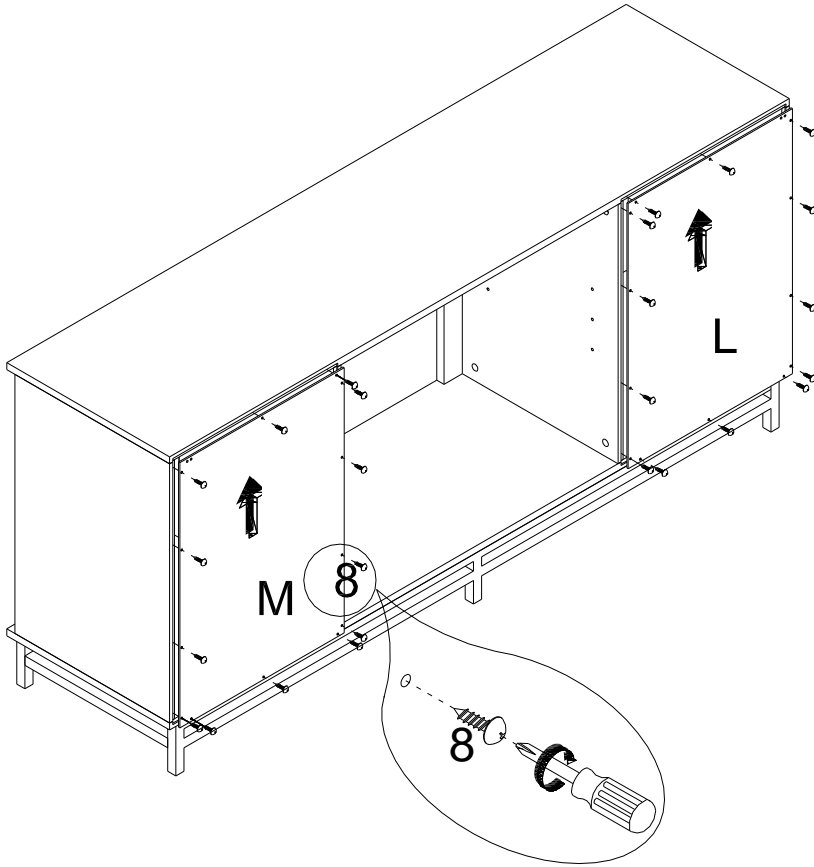
8



# Assembly | Asambla | Assemblage

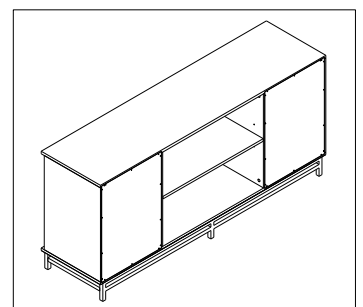
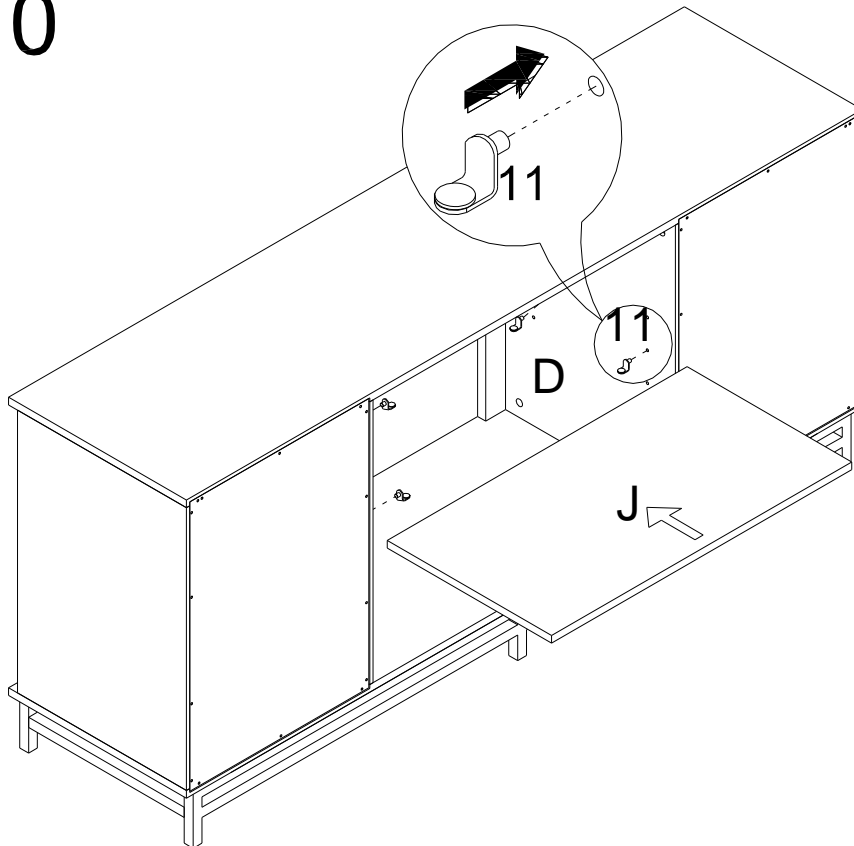
9

8  X28



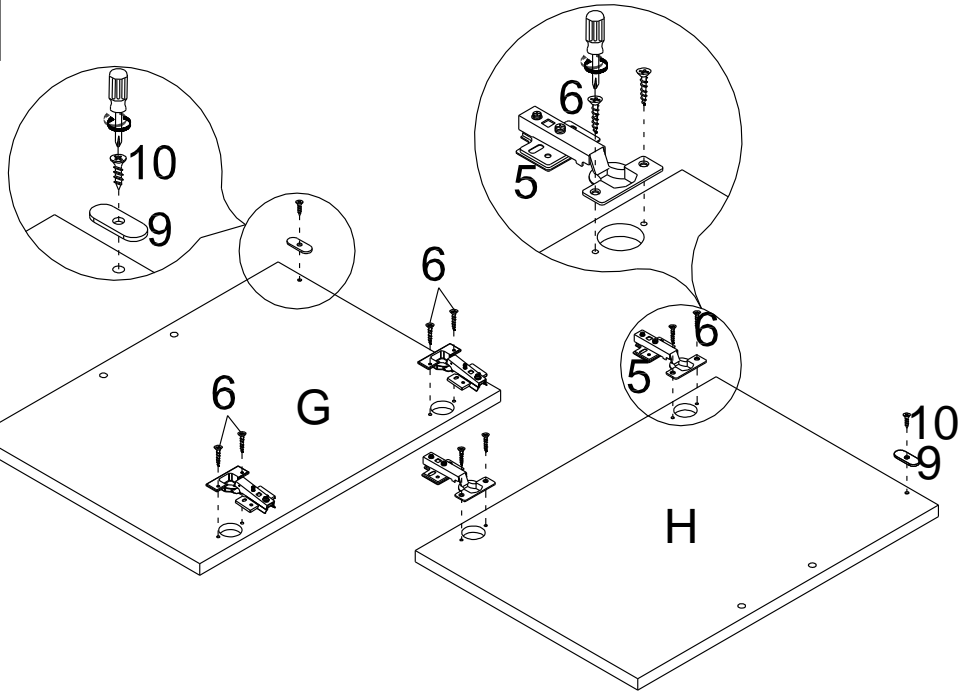
10

11  X4



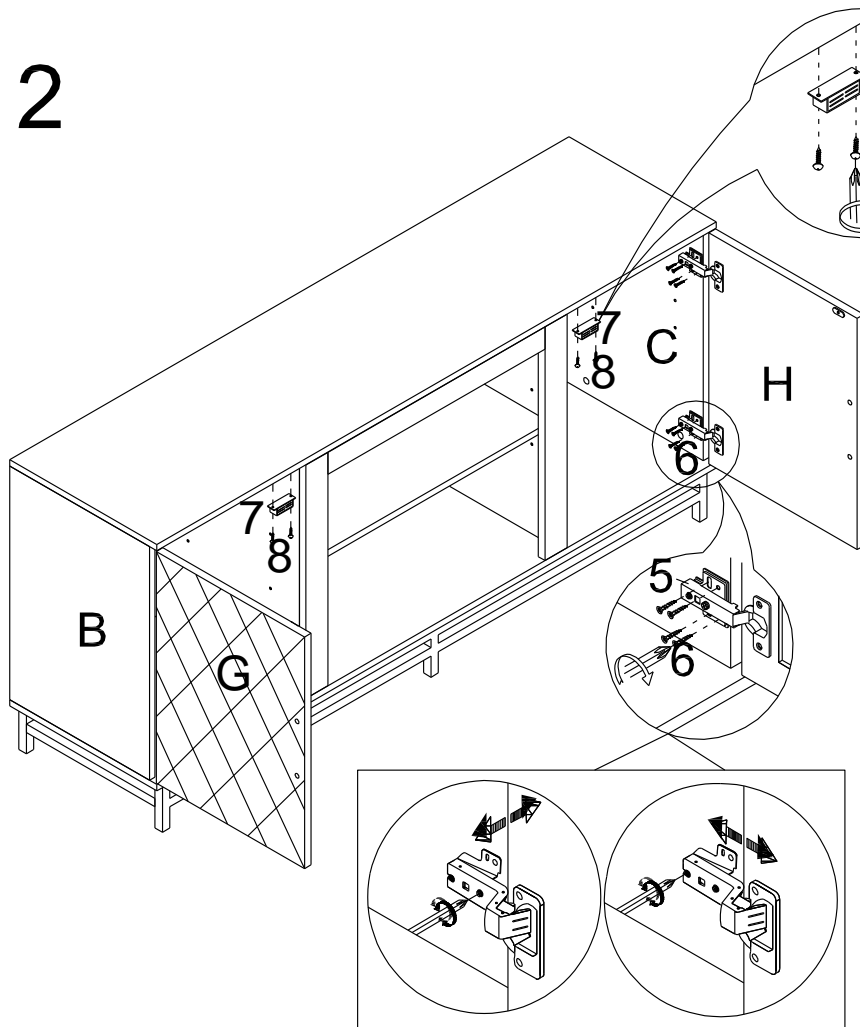
# Assembly | Asamblea | Assemblage

## 11

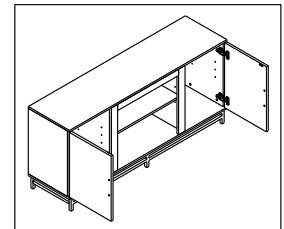


5		X4
6		X8
9		X2
10		X2

## 12



6		X16
7		X2
8		X4



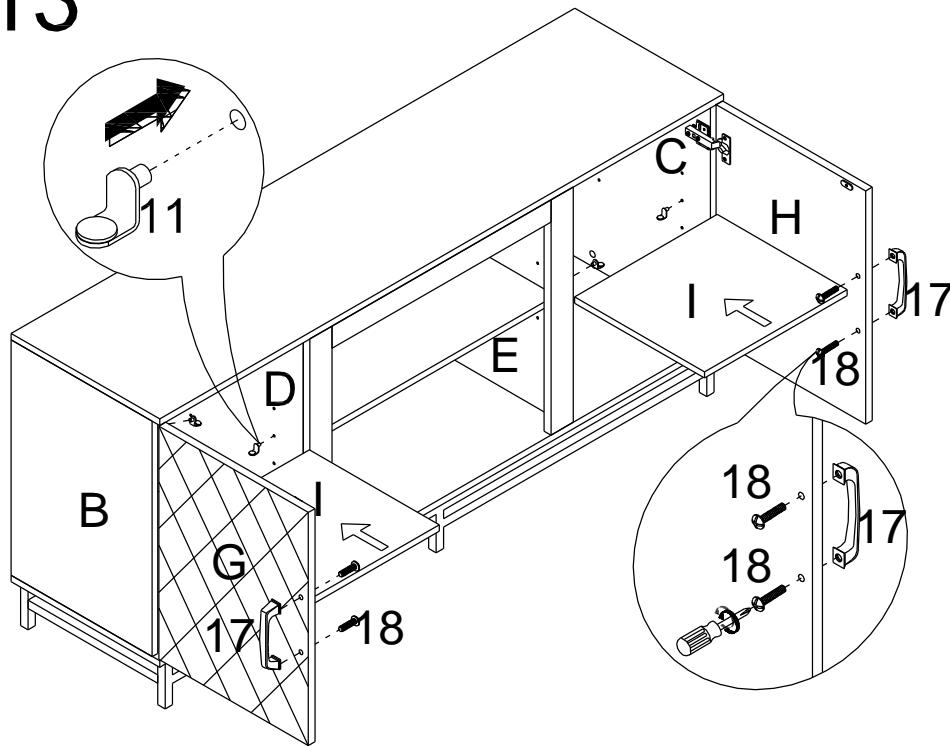
To achieve uniform clearance around the door, you may need to adjust the door by tightening or loosening the two screws on the hinge itself.

Para lograr un espacio uniforme alrededor de la puerta, es posible que deba ajustar la puerta apretando o aflojando los dos tornillos de la bisagra.

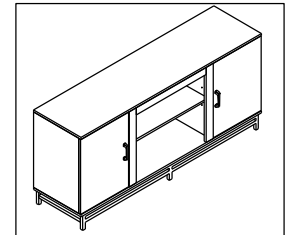
Pour obtenir un jeu uniforme autour de la porte, vous devrez peut-être ajuster la porte en serrant ou en desserrant les deux vis de la charnière.

# Assembly | Asambla | Assemblage

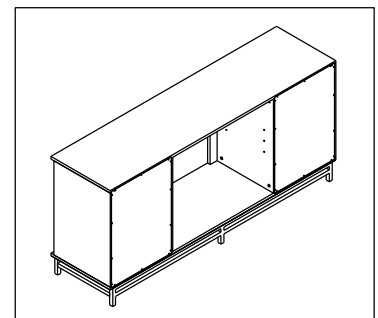
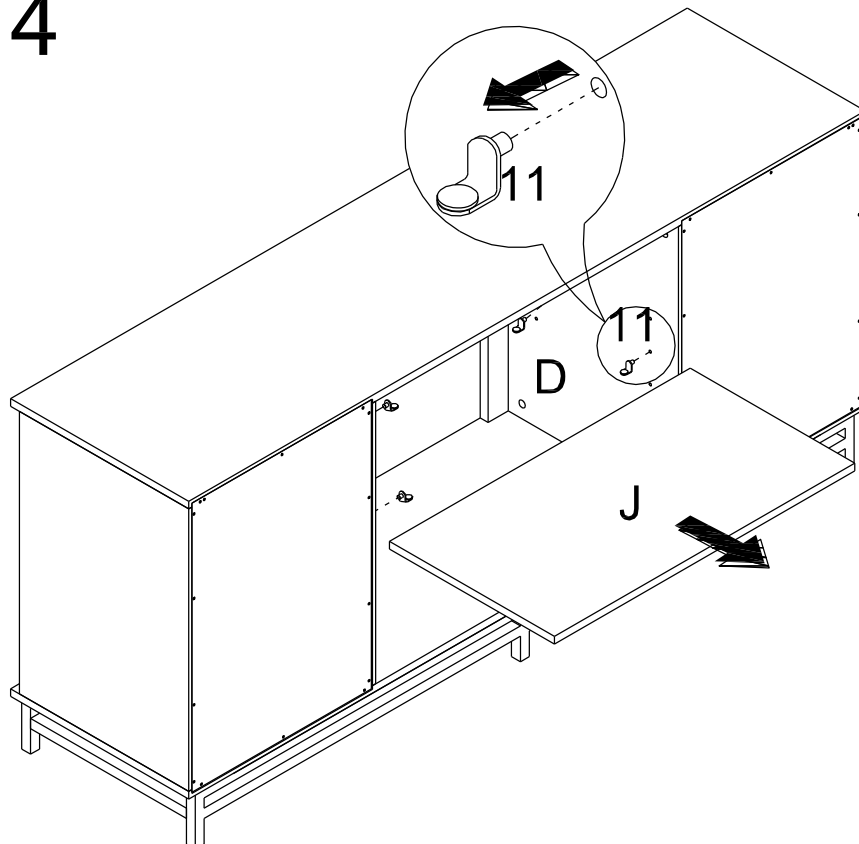
13



11		X8
17		X2
18		X4

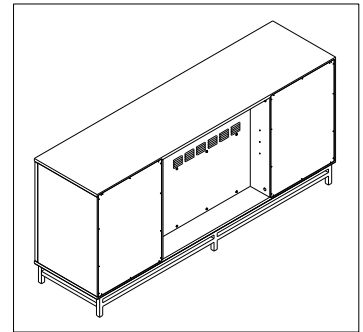
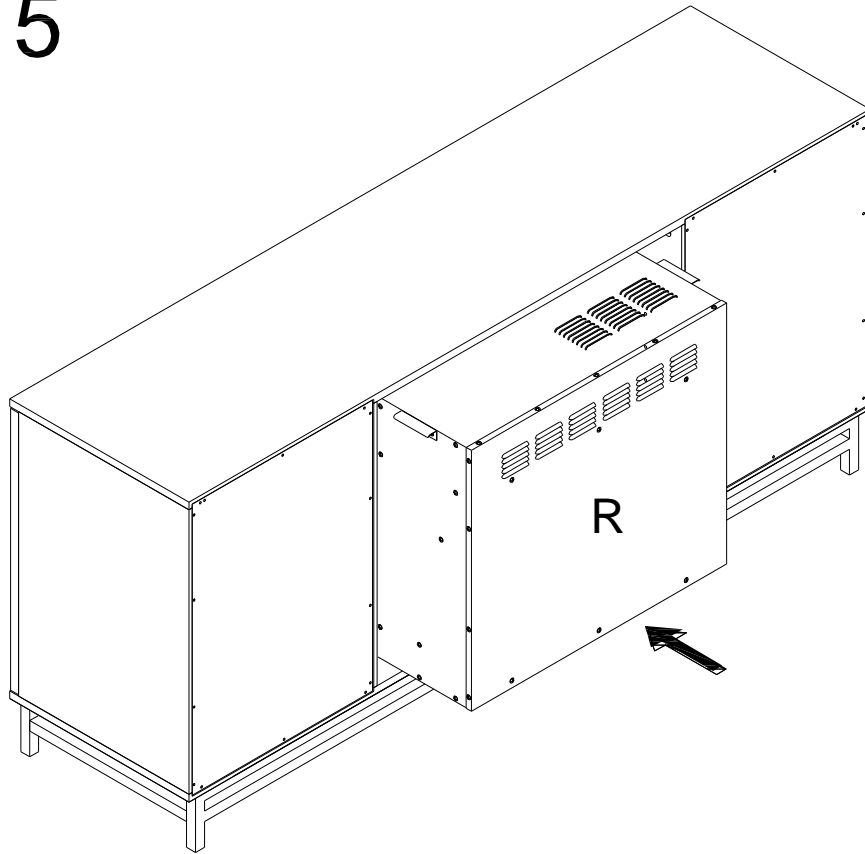


14

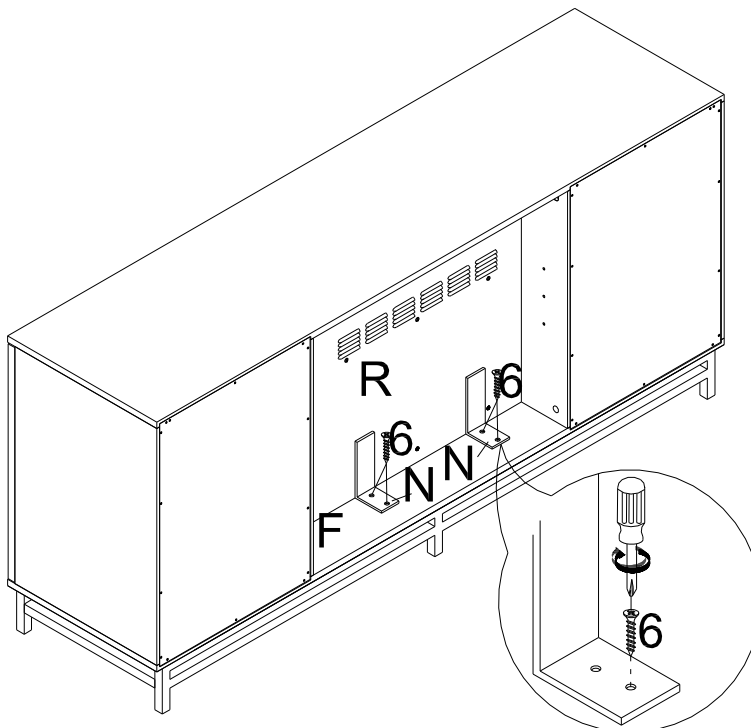



# Assembly | Asambla | Assemblage

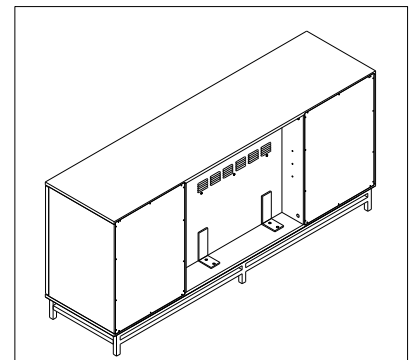
15



16

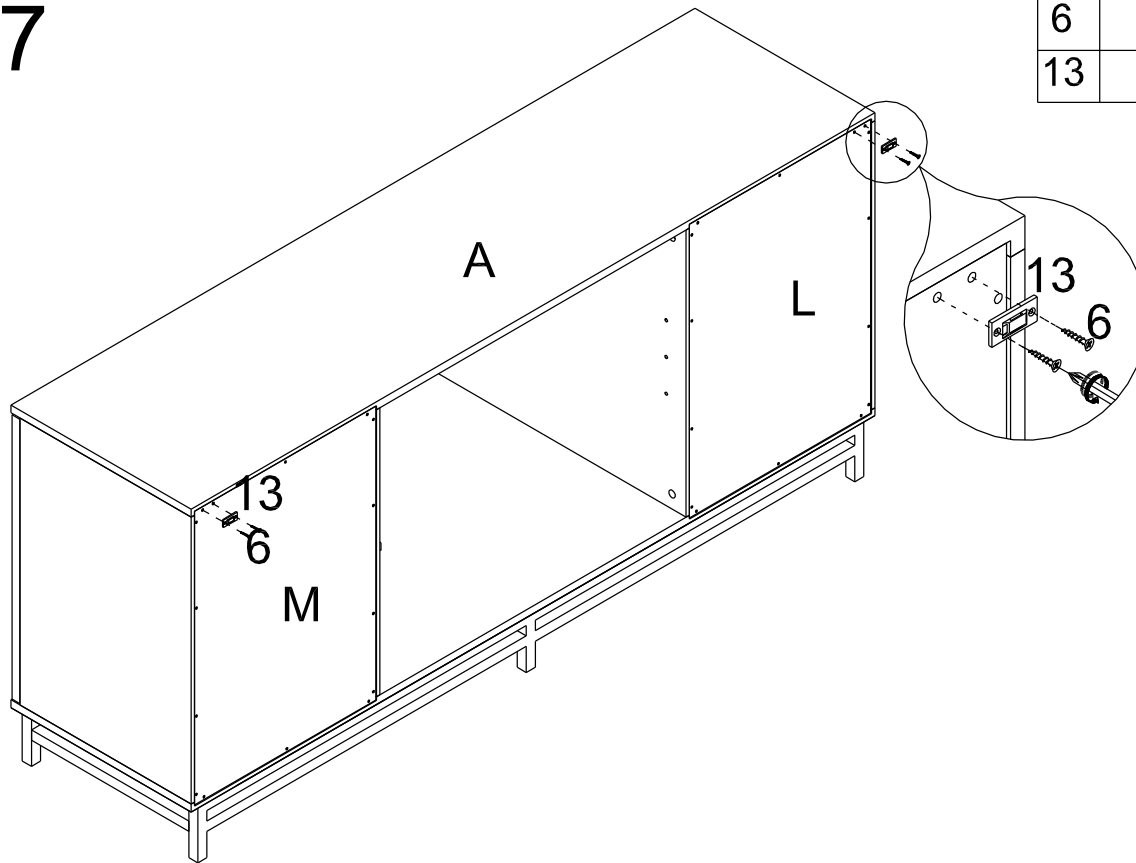




6		X4
---	---	----



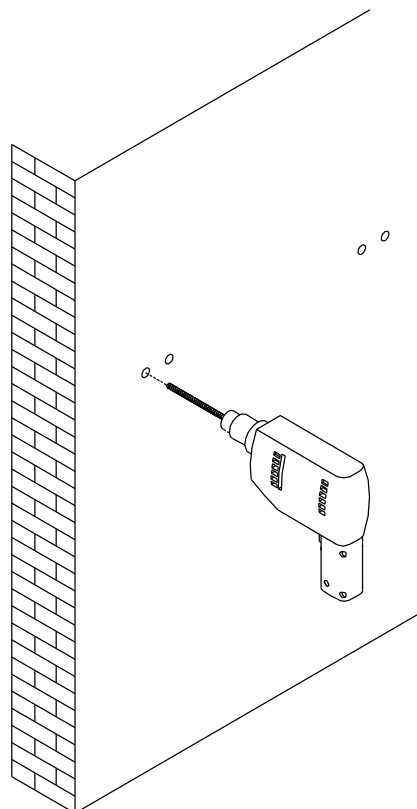
# Assembly | Asambla | Assemblage

17



6		X4
13		X2

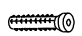
18

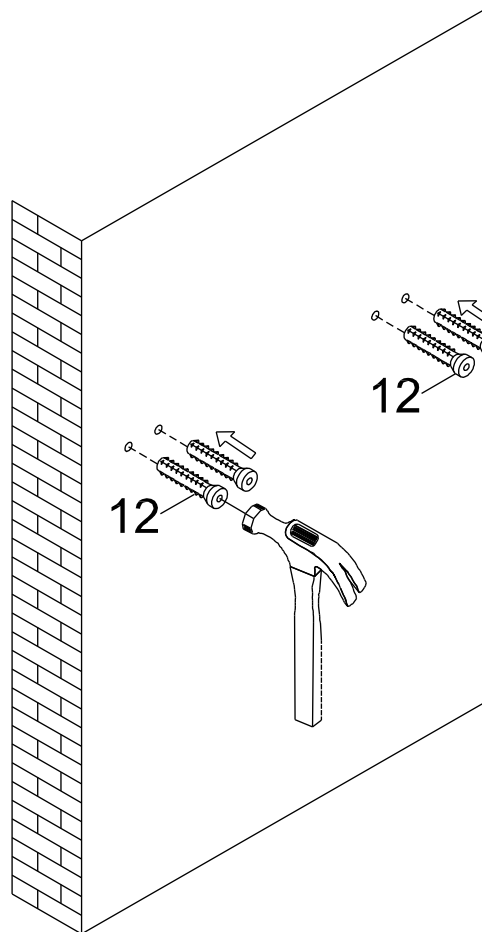






# Assembly | Asambllea | Assemblage

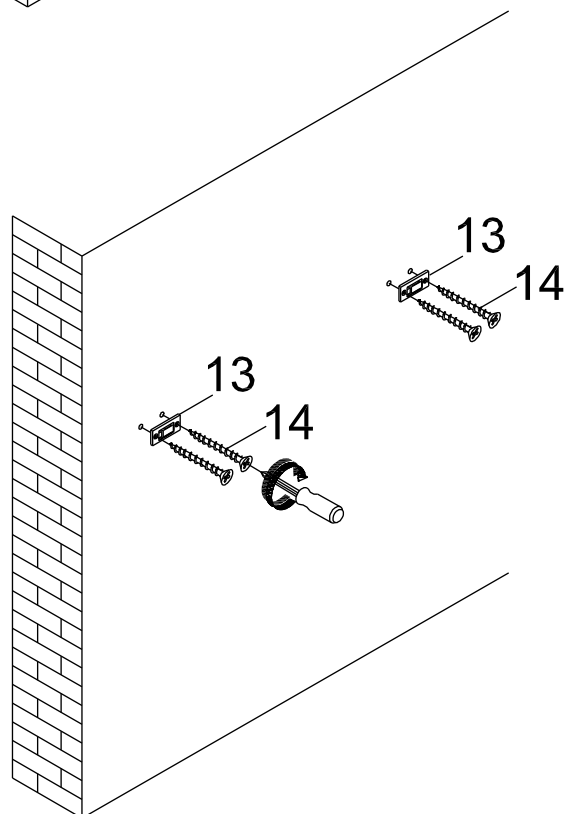
19

12		X4
----	---	----



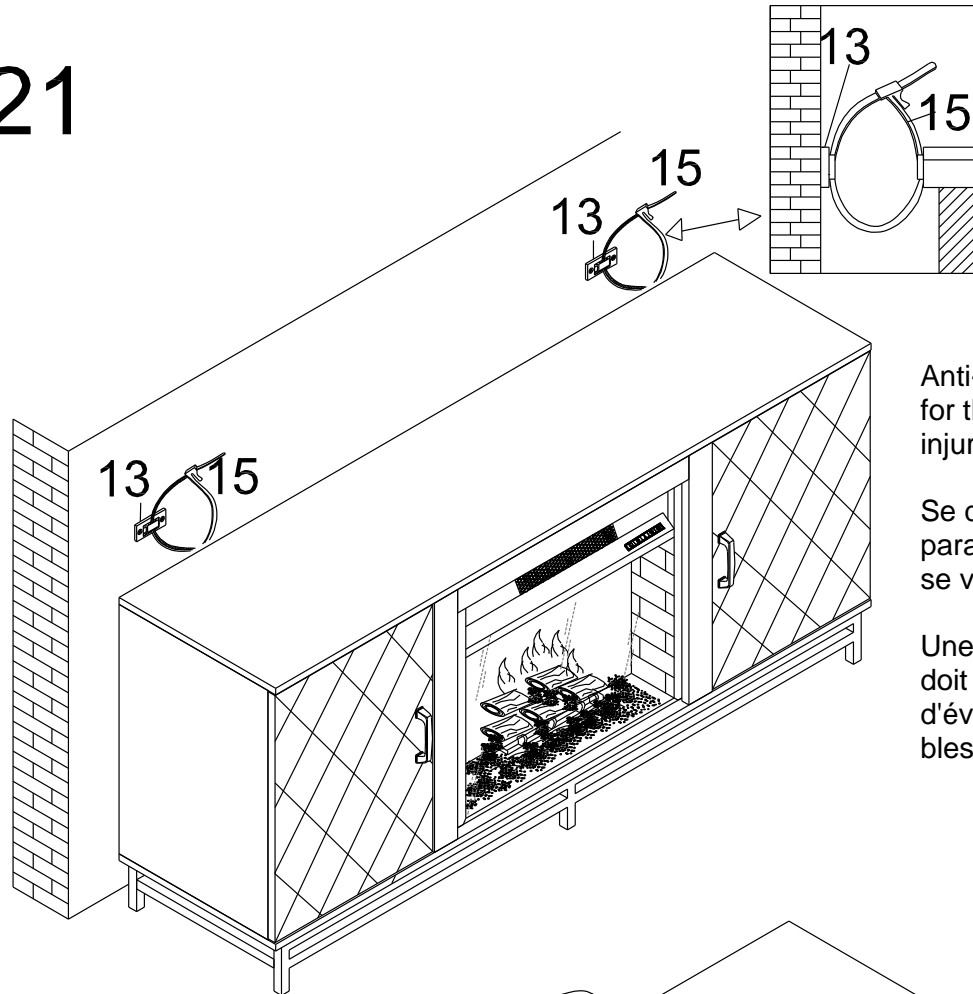
20

13		X2
14		X4



# Assembly | Asamblea | Assemblage

## 21

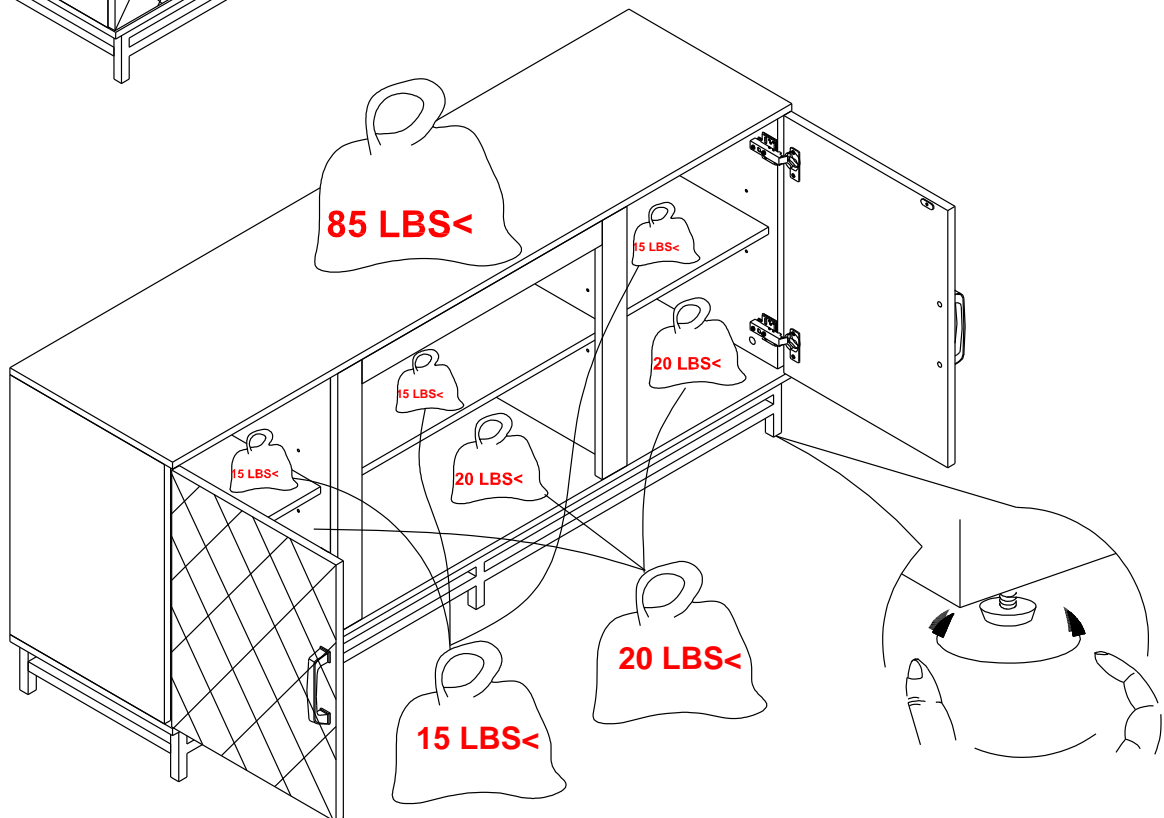


Anti-tipping hardware must be used for this product to avoid tipping and injury.

Se debe usar hardware antivuelco para este producto para evitar que se vuelque y se lastime.

Une quincaillerie anti-basculement doit être utilisée pour ce produit afin d'éviter le basculement et les blessures.

## 22



# Assembly | Asamblea | Assemblage

**May We Help You?**  
**800.633.5096**

Please have this information ready when you call:

- Item Number
- PO #
- Purchaser Name
- Place of Purchase
- Purchase Date
- Date Product Arrived

Immediately examine this product carefully. Any request for missing or damaged part replacement must be received within 90 days of your receipt of the product. Requests for replacement parts, if available, will be honored within this time frame. Parts will not be available for items arriving fully assembled. We do not recommend modifying products and we are not responsible for any damages due to product modifications. If damages or missing parts are not reported within 90 days of receiving the product, we are under no obligation to provide parts or replacement merchandise. For product issues, please contact customer service at 800-633-5096 (toll-free) Mon-Fri 8:30am – 5pm CST. Please ask for a customer service representative for issues involving damages or replacement parts. Please ask for a technical assistance representative for any issues related to product assembly/ construction. Regarding product returns, please contact the retailer from whom you purchased the product.

Please note, for items purchased in a retail store, you will need to contact the retailer for all part needs.

Products purchased at garage sales or discount stores are sold as-is and are not covered by the above warranty.

**¿Podemos ayudarle?**  
**800.633.5096**

Tenga a mano esta información cuando llame:

- Número de artículo
- PO #
- Nombre del comprador
- Lugar de compra
- Fecha de compra
- Fecha en que llegó el producto

Immediately examine this product with care. Any request for replacement of missing or damaged parts must be received within 90 days of the receipt of the product. Replacement parts, if available, will be honored within this time frame. Parts will not be available for items arriving fully assembled. We do not recommend modifying products and we are not responsible for any damages due to product modifications. If damages or missing parts are not reported within 90 days of receiving the product, we are under no obligation to provide parts or replacement merchandise. For product issues, please contact customer service at 800-633-5096 (toll-free) Mon-Fri 8:30am – 5pm CST. Please ask for a customer service representative for issues involving damages or replacement parts. Please ask for a technical assistance representative for any issues related to product assembly/ construction. Regarding product returns, please contact the retailer from whom you purchased the product.

Tenga en cuenta que, para los artículos comprados en una tienda minorista, deberá comunicarse con el minorista para todas las necesidades de piezas.

Los productos comprados en las ventas de garaje o tiendas de descuento se venden tal como están y no están cubiertos por la garantía anterior.

**Pouvons-nous vous aider?**  
**800.633.5096**

Veillez avoir cette information à portée de main lorsque vous appelez:

- Numéro d'article
- PO #
- Nom de l'acheteur
- Lieu d'achat
- Date d'achat
- Date d'arrivée du produit

Immediately examine this product carefully. Any request for replacement of missing or damaged parts must be received within 90 days of the receipt of the product. Replacement parts, if available, will be honored within this time frame. Parts will not be available for items arriving fully assembled. We do not recommend modifying products and we are not responsible for any damages due to product modifications. If damages or missing parts are not reported within 90 days of receiving the product, we are under no obligation to provide parts or replacement merchandise. For product issues, please contact customer service at 800-633-5096 (toll-free) Mon-Fri 8:30am – 5pm CST. Please ask for a customer service representative for issues involving damages or replacement parts. Please ask for a technical assistance representative for any issues related to product assembly/ construction. Regarding product returns, please contact the retailer from whom you purchased the product.

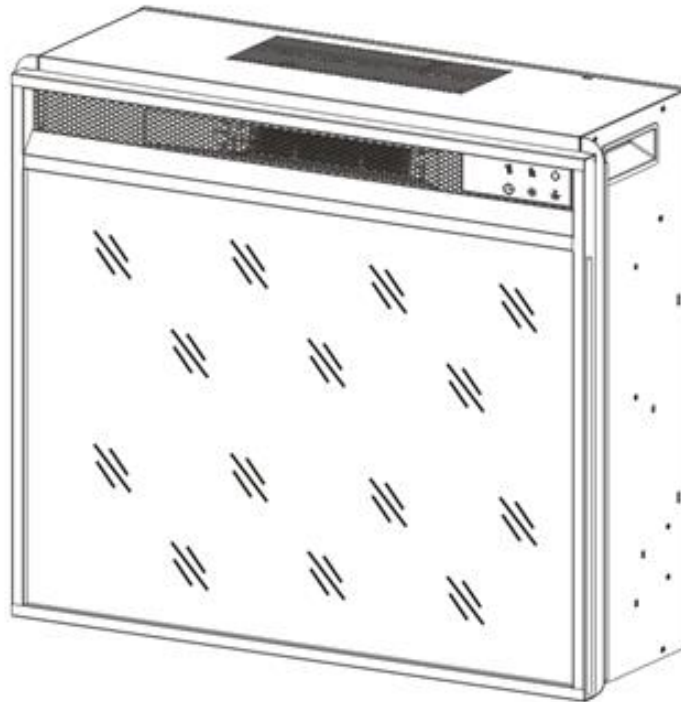
Veillez noter que pour les articles achetés dans un magasin de détail, vous devrez contacter le détaillant pour tous les besoins en pièces.

Les produits achetés dans les vide-greniers ou les magasins à prix réduits sont vendus tels quels et ne sont pas couverts par la garantie ci-dessus.

# Assembly | Asambla | Assemblage

PO#

Customer service | Servicio al cliente | Service clientèle: 800.633.5096



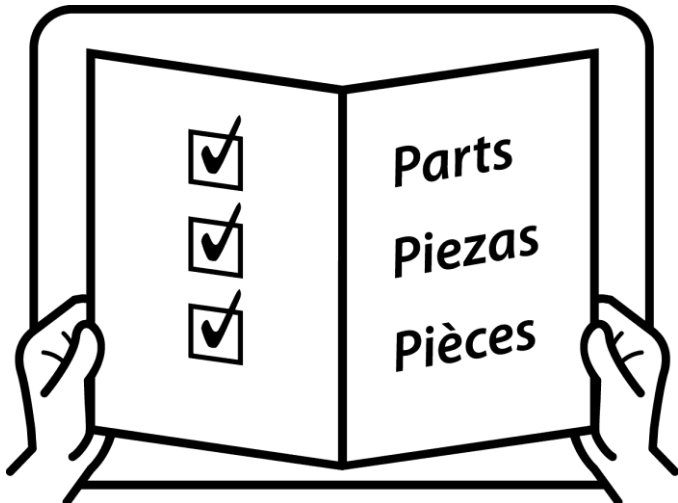
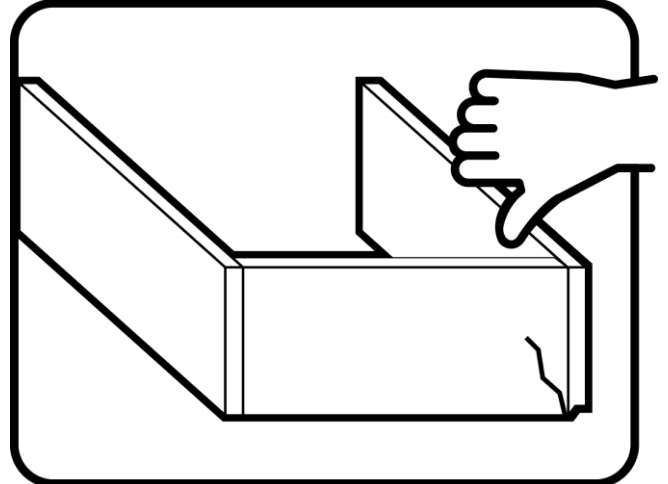
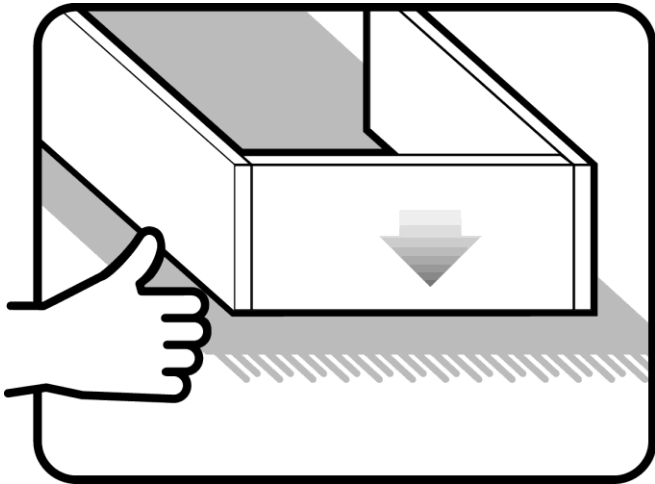
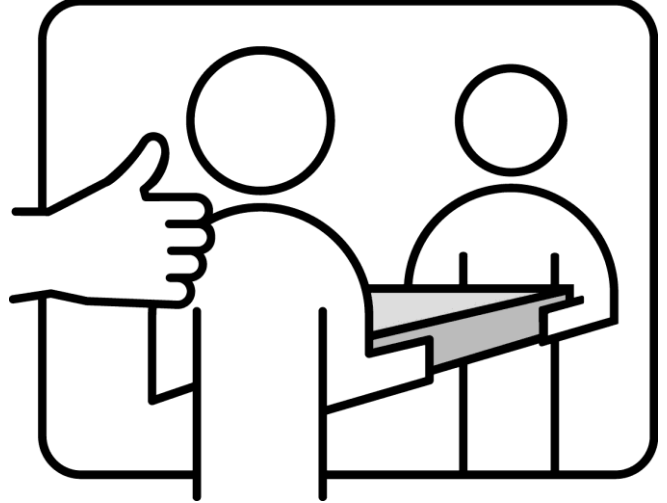
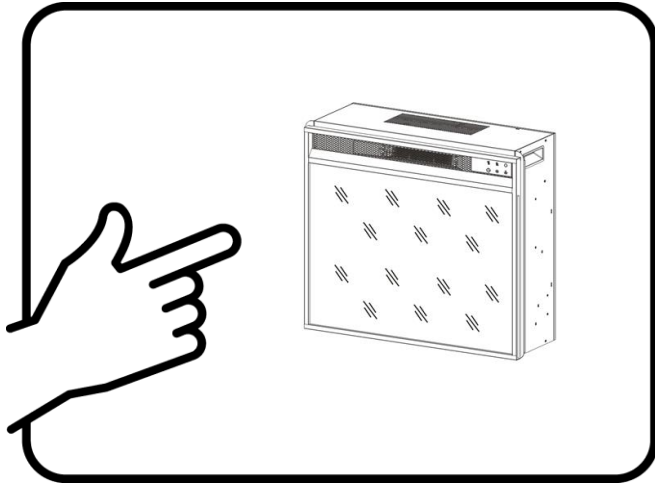
Product number | Número de producto | Numéro de produit

**FA5223**

ELECTRICAL SPECIFICATIONS		ESPECIFICACIONES ELÉCTRICAS		CARACTÉRISTIQUES ÉLECTRIQUES	
Voltage:	Tensión:	Tension:	120V, 60 Hz		
Amps:	Amperios:	Intensité de courant:	12.5 Amps		
Watts:	Watts:	Puissance:	1500 Watts		
Lighting:	Iluminación:	Éclairage:	LED		

Thank you for your purchase! | ¡Gracias por tu compra! | Merci pour votre achat!

# Assembly | Asamblea | Assemblage



# Assembly | Asamblea | Assemblage

**Safety | Seguridad | Sécurité**



**Note! | Nota: | Remarque!**



# Assembly | Asambla | Assemblage

## Electric Firebox Insert User's Operating Manual

## Cámara de combustión eléctrica insertable Manual de funcionamiento del usuario

## Foyer électrique encastrable Guide de l'utilisateur

### Consumer safety information:

Please read this manual before installing and operating this appliance.

### WARNING!!!

If the information in this manual is not followed correctly, an electric shock or fire may occur, resulting in property damage, personal injury, or loss of life. Do not store or use gasoline or other flammable vapors or liquids near this appliance.

### Safety Feature:

This unit has an internal thermal overload protector. When a temperature that may cause overheating is reached, the heater will automatically shut off. Operation can only resume when the unit is reset. (See instructions below)

### To Reset Heater:

Unplug the heater and wait 10 minutes for the unit to cool down. After 10 minutes, plug in the heater again and follow the operating instructions described in this manual.

### Información de seguridad para el consumidor:

Lea este manual antes de instalar y operar este artefacto.

### !!!ADVERTENCIA!!!

Si la información de este manual no se sigue correctamente, puede producirse una descarga eléctrica o un incendio, lo que puede provocar daños a la propiedad, lesiones personales o la muerte. No almacene ni use gasolina ni otros vapores o líquidos inflamables cerca de este artefacto.

### Característica de seguridad:

Esta unidad tiene un protector de contra sobrecarga térmica interno. Cuando se alcanza una temperatura que puede causar sobrecalentamiento, el calefactor se apaga automáticamente. La unidad solo puede volver a funcionar si la restablece. (Consulte las instrucciones a continuación)

### Para restablecer el calefactor:

Desenchufe el calefactor y espere 10 minutos para que se enfríe. Después de 10 minutos, vuelva a enchufar el calentador y siga las instrucciones de funcionamiento descritas en este manual.

### Information de sécurité pour le consommateur:

Veillez lire ce guide avant d'installer et d'utiliser cet appareil.

### AVERTISSEMENT!!!

Si les informations contenues dans ce manuel ne sont pas suivies correctement, un choc électrique ou un incendie peut se produire, entraînant des dommages matériels, des blessures corporelles ou la mort. Ne pas entreposer ou utiliser de l'essence ou d'autres vapeurs et liquides inflammables près de cet appareil.

### Dispositif de sécurité :

Cette unité comporte un dispositif de protection de surcharge thermique interne. Lorsque l'appareil atteint une température pouvant entraîner une surchauffe, la fournaise s'éteint automatiquement. L'appareil peut être remis en marche uniquement après une réinitialisation. (Voir les directives ci-dessous)

### Pour réinitialiser la fournaise :

Débranchez la fournaise et attendez 10 minutes jusqu'à ce qu'elle soit refroidie. Après 10 minutes, rebranchez le radiateur et suivez les instructions d'utilisation décrites dans ce manuel.

# Assembly | Asamblea | Assemblage

## Important Operating and Safety Instructions:

### CAUTION:

High temperatures! Keep draperies, electrical cords, and other furnishings at least 3 feet (.9 meters) from the front and away from the front, sides, and rear of the heater.

### WARNING:

Risk of fire – keep combustible material away from the front of the electrical fireplace. Servicing should be done only while the electrical fireplace is disconnected from the power supply.

## Instrucciones importantes de operación y seguridad:

### PRECAUCIÓN:

Mantenga las cortinas, cables eléctricos y otros enseres a una distancia de al menos 3 pies del área delantera, los costados y el área trasera del calefactor.

### ADVERTENCIA:

Para evitar riesgos de que se produzca un incendio, mantenga los materiales combustibles lejos del área delantera de la chimenea eléctrica. Solo se debe realizar mantenimiento mientras la chimenea eléctrica esté desconectada del tomacorriente.

## Directives importantes concernant la sécurité et l'utilisation :

### MISE EN GARDE :

Tenir les draperies, les cordons électriques et tout ameublement à au moins 3 pieds de l'avant, des côtés et de l'arrière de la fournaise.

### AVERTISSEMENT :

Risque d'incendie, garder tout matériel combustible loin de l'avant du foyer électrique. L'entretien ne doit être réalisé que lorsque le foyer électrique est débranché.



# Assembly | Asambla | Assemblage

## Important Operating and Safety Information:

When using electrical appliances, the following basic precautions should always be followed to reduce the risk of fire, electric shock, and injury.

- Read all instructions before using this heater.
- Use this heater only as described in this manual. Any other use not recommended by the manufacturer may cause fire, electric shock, or injury.
- Before connecting the appliance to the electric source, check that the current and power match those given on the ratings plate.
- This heater is for use with a 120 Volt electrical outlet. The cord has a three-prong grounded plug, which must be used in a properly grounded three-prong outlet.
- Avoid the use of an extension cord since the extension cord may overheat and cause a risk of fire. However, if you must use an extension cord it must be a grounded No. 16 AWG minimum size and rated for no less than 1875 watts.
- Do not run the cord under carpet. Do not cover cord with throw rug, runner, or similar items. Cord should be placed away from traffic areas to prevent tripping hazard.
- Never use the cord to pull the appliance.
- Never leave the appliance unattended while it is in use.
- Turn controls to “off” before removing plug from outlet.
- Always unplug heater when not in use.
- Do not use outdoors.
- Only use heater on even and stable surface to prevent the appliance from tipping over.
- To prevent possible fire, do not block air intakes or exhaust in any manner. Do not use on soft surfaces, such as a bed, where openings may be blocked.
- Do not use in rooms in which highly flammable materials such as gas, paints, gasoline, solvents, etc. are stored.
- Keep minimum distance of 3 feet between the heater and curtains and other flammable materials.
- Do not place the appliance or the plug in water or any other liquid. Should the appliance accidentally fall into water, unplug the appliance immediately and have it checked by a qualified person before using it again.
- Do not use the appliance with wet hands, on a damp floor, or when the appliance itself is wet.
- The appliance must not be used if the glass is damaged.
- Do not operate any heater with a damaged cord or plug, after the heater malfunctions or has been dropped or damaged.
- The warm air vent becomes very hot during operation—do not touch. During operation, only touch the appliance’s switches and handles.
- The appliance should not be moved when hot. Never touch the hot parts with your bare skin.
- Do not insert or allow foreign objects to enter any ventilation or exhaust opening as this may cause an electric shock or fire, or damage to the heater.
- Please turn off the unit manually when leaving/not in use for extended period.
- Please turn off the unit manually when the power goes out.
- Please BEWARE that the plug may become hot.



**SAVE THESE INSTRUCTIONS**

# Assembly | Asambla | Assemblage

## Información importante de operación y seguridad:

Cuando use artefactos eléctricos, siempre debe respetar las siguientes precauciones básicas para reducir el riesgo de incendio, descarga eléctrica y lesiones.

- Lea todas las instrucciones antes de usar este calefactor.
- Use este calefactor de la manera exacta que se describe en este manual. Cualquier otro uso no recomendado por el fabricante puede causar un incendio, una descarga eléctrica o lesiones.
- Antes de conectar el artefacto al tomacorriente, verifique que la corriente y la potencia coincidan con las indicadas en la etiqueta de datos técnicos.
- El calefactor solo se debe enchufar a un tomacorriente de 120 voltios. El cable tiene un enchufe con protección a tierra de tres clavijas. Que debe usar en un tomacorriente conectado a tierra adecuado para este enchufe.
- Evite el uso de un cable de extensión, dado que puede sobrecalentarse y plantear un riesgo de incendio; sin embargo, si debe utilizarlo, este debe ser un cable de tierra N° 16 AWG de tamaño mínimo y con una potencia nominal de no menos de 1875 vatios.
- No extienda el cable bajo la alfombra. No cubra el cable con un tapete grueso, una alfombra de pasillo o elementos similares. Debe colocar el cable lejos de toda área de tránsito de personas para evitar tropiezos.
- Nunca use el cable para halar el artefacto.
- Nunca deje el artefacto funcionando sin atención.
- Coloque los controles en posición "off" (apagado) antes de desenchufar el artefacto.
- Siempre desenchufe el calefactor cuando no lo esté usando.
- No lo use a la intemperie.  
Solo use el calefactor sobre una superficie uniforme y estable para evitar que se voltee.
- Para evitar un posible incendio, no bloquee las ventilaciones ni el escape de ninguna manera. No use el artefacto sobre superficies blandas, como una cama, donde las ventilaciones puedan quedar bloqueadas.
- No use el artefacto en habitaciones donde almacene materiales altamente inflamables, como gas, pinturas, gasolina, solventes, entre otros.
- Mantenga una distancia mínima de 3 pies entre el calefactor y las cortinas u otros materiales inflamables.
- No sumerja el artefacto ni el enchufe en agua o cualquier otro líquido. Si el artefacto cae accidentalmente al agua, desenchúfelo de inmediato y solicite a un profesional calificado que lo revise antes de volver a usarlo.
- No opere el artefacto con las manos mojadas, sobre un piso húmedo o cuando el artefacto mismo esté mojado.  
No debe usar el artefacto si el vidrio está dañado.
- No opere ningún calefactor cuyo cable o enchufe esté dañado, después de que el calefactor haya tenido un funcionamiento incorrecto o después de que se haya caído o dañado.
- La ventilación de aire tibio se calienta mucho durante el funcionamiento; no la toque. Durante el funcionamiento, solo toque los interruptores y las asas.
- No debe mover el artefacto mientras esté caliente. Nunca toque las piezas calientes con la piel desnuda.
- No inserte ni permita el ingreso de objetos extraños a ninguna abertura de ventilación o escape, dado que ello puede causar una descarga eléctrica o un incendio, o bien dañar el calefactor.
- Apague el artefacto en forma manual cuando salga de la casa o no lo vaya a usar por un período prolongado.
- Apague el artefacto en forma manual cuando se produzca un corte de energía.
- **TENGA EN CUENTA** que el enchufe puede calentarse.



## GUARDE ESTAS INSTRUCCIONES

# Assembly | Asamblea | Assemblage

## Information importante concernant la sécurité et l'utilisation:

Lorsque vous utilisez des appareils électriques, respectez toujours les précautions de base afin de réduire les risques d'incendie, de chocs électriques et de blessures.

- Lisez toutes les directives avant d'utiliser la fournaise.
- Utilisez cette fournaise conformément aux directives du présent guide. Toute autre utilisation non recommandée par le fabricant peut causer un incendie, un choc électrique ou des blessures.
- Avant de brancher l'appareil à une source électrique, vérifiez que le courant et l'alimentation correspondent à ceux inscrits sur la plaque signalétique.
- Cette fournaise est destinée à être utilisée avec une prise électrique de 120 volts. Le cordon est muni d'une fiche de mise à la terre à trois branches, qui doit être branchée dans une prise triphasée mise à la terre de façon adéquate.
- Évitez d'utiliser une rallonge électrique puisque celle-ci peut surchauffer et entraîner des risques d'incendie. Toutefois, si vous devez en utiliser une, optez pour une rallonge mise à la terre n° 16 AWG au minimum et certifiée pour au moins 1875 watts.
- Ne placez pas le cordon sous un tapis. Ne couvrez pas le cordon avec une carpe, un passage ou tout autre article semblable. Le cordon doit se trouver loin des aires de circulation pour éviter les risques de chutes.
- N'utilisez jamais le cordon pour tirer l'appareil.
- Ne laissez jamais l'appareil sans surveillance lorsqu'il est en marche.
- Éteignez les commandes de contrôle avant de débrancher le cordon.
- Débranchez toujours la fournaise lorsqu'elle n'est pas en cours d'utilisation.
- Ne pas utiliser à l'extérieur.
- Utilisez seulement la fournaise sur une surface plane et stable afin d'éviter que l'appareil ne bascule.
- Pour éviter les risques d'incendie, ne bloquez pas les prises d'air ni les orifices d'évacuation de quelque façon que ce soit. Ne pas utiliser sur les surfaces molles, comme un lit, puisque les ouvertures pourraient être bloquées.
- Ne pas utiliser dans des pièces où des matières inflammables, comme de l'essence, de la peinture, des solvants, etc. sont entreposées.
- Gardez une distance minimale de 3 pieds entre la fournaise et les rideaux ainsi que toute autre matière inflammable.
- Ne placez pas l'appareil ou son cordon d'alimentation dans l'eau ou tout autre liquide. Si l'appareil tombe dans l'eau par accident, débranchez-le immédiatement et faites-le vérifier par une personne qualifiée avant de l'utiliser à nouveau.
- N'utilisez pas l'appareil si vous avez les mains mouillées, si le sol est humide ou si l'appareil lui-même est mouillé.
- Vous ne devez pas utiliser l'appareil si le verre est endommagé.
- N'utilisez pas une fournaise dont le cordon ou la fiche est endommagé, après une défaillance ou si la fournaise est tombée ou a été endommagée.
- Les ouvertures d'aération deviennent très chaudes pendant l'utilisation – évitez de les toucher. Pendant l'utilisation, ne touchez que les interrupteurs et les poignées de l'appareil.
- Ne déplacez pas l'appareil lorsqu'il est chaud. Ne touchez jamais les pièces chaudes à mains nues.
- N'insérez pas d'objets étrangers dans les orifices de ventilation et d'évacuation puisque cela pourrait causer des chocs électriques ou un incendie, ou endommager la fournaise.
- Veuillez éteindre manuellement l'unité lorsque vous partez ou que vous n'utilisez pas l'appareil pendant une longue période.
- Veuillez éteindre manuellement l'unité en cas de panne électrique.
- ATTENTION, la fiche électrique devient chaude.



**CONSERVEZ CES DIRECTIVES**

# Assembly | Asambla | Assemblage



## Maintenance:

1. Cleaning your fireplace:  
You may clean exterior of unit with a soft, damp, lint-free cloth.  
**WARNING:** Before cleaning the exterior of the appliance, disconnect the unit from the power supply. Clean unit only after it is cool to the touch.
2. Cleaning the front glass:  
The front glass panel may become dirty or dusty. Dust can be removed by lightly rubbing the glass surface with a clean, lint-free cloth or paper towel. To remove fingerprints or other marks, use a soft, damp, lint-free cloth with a household glass cleaner.

### Helpful Advice for Installing Firebox into Mantel:

1. These instructions are provided in an easy to follow format. Simply follow the instructions to properly install unit.
2. Please retain all packaging until you have checked that there is no damage and your unit is working properly.
3. Small parts should be kept away from young children.
4. The area around the unit should be kept free of animal hair, lint, and other extraneous material that may be drawn into the workings of the appliance and could affect its performance.

### Positioning/Locating Your Electric Fireplace:

When choosing a location for your new fireplace, ensure that the general instructions are properly followed. For best result, install the fireplace out of direct sunlight.



## Mantenimiento:

1. Limpieza de su chimenea:  
Puede limpiar el exterior de la unidad con un paño suave, húmedo y que no deje pelusas.  
**ADVERTENCIA:** Antes de limpiar el exterior del artefacto, desconéctelo del tomacorriente. Limpie la unidad solo después de comprobar que esté fría al tacto.
2. Limpieza del vidrio delantero:  
El panel de vidrio delantero puede ensuciarse o acumular polvo. Para eliminar el polvo, frote suavemente la superficie de vidrio con un paño limpio y que no deje pelusas o con una toalla de papel. Para limpiar las huellas digitales u otras marcas, use un paño suave, húmedo y que no deje pelusas con un producto limpiavidrios de uso doméstico.

### Recomendación útil para instalar la chimenea en el espacio bajo la repisa de la chimenea:

1. Estas instrucciones se proporcionan en un formato de fácil comprensión. Solo sígalas para instalar correctamente la unidad.
2. Conserve todo el embalaje hasta verificar que la unidad no presente daños y esté funcionando en forma correcta.
3. Debe mantener las piezas pequeñas fuera del alcance de los niños.
4. Debe mantener el área alrededor de la unidad libre de pelos de mascotas, pelusas y otros materiales extraños que puedan ingresar a los componentes del artefacto y afectar su rendimiento.

### Posición/colocación de su chimenea eléctrica:

Cuando elija una ubicación para su chimenea nueva, asegúrese de seguir correctamente las instrucciones generales. Para obtener resultados óptimos, instale la chimenea lejos de la luz solar directa.



## Entretien:

1. Nettoyage de votre foyer:  
Vous pouvez laver l'extérieur de l'unité à l'aide d'un chiffon non pelucheux doux et humide.  
**AVERTISSEMENT:** Avant de nettoyer l'extérieur de l'appareil, débranchez l'unité de la source d'alimentation. Nettoyez l'unité seulement lorsqu'elle est froide au toucher.
2. Nettoyage de la vitre avant:  
La vitre avant peut devenir sale ou poussiéreuse. Vous pouvez retirer la poussière en frottant légèrement la surface du verre à l'aide d'un chiffon non pelucheux doux ou d'un essuie-tout. Pour effacer les traces de doigts ou toutes autres marques, utilisez un chiffon non pelucheux doux et humide ainsi qu'un nettoyeur pour vitres ménager.

### Conseils pratiques pour installer le foyer dans un manteau de cheminée :

1. Ces directives sont fournies dans un format facile à suivre. Vous n'avez qu'à respecter les directives pour bien installer l'unité.
2. Veuillez conserver tous les éléments d'emballage jusqu'à ce que vous ayez vérifié que l'appareil n'est pas endommagé et que l'unité fonctionne correctement.
3. Gardez les petites pièces hors de la portée des jeunes enfants.
4. L'espace autour de l'unité doit être exempt de poils d'animaux, de peluches et d'autres matières étrangères qui peuvent être aspirés par l'appareil et nuire à son fonctionnement.

### Positionnement et localisation du foyer électrique:

Au moment de choisir l'emplacement de votre nouveau foyer, assurez-vous de respecter les directives générales. Pour des résultats optimaux, installez le foyer à l'abri de la lumière directe du soleil.

# Assembly | Asamblea | Assemblage

## Installation Instructions:

Once the location has been prepared, the fireplace insert can be installed.

1. Make sure the unit is turned off (refer to the operating instructions).
2. Place the fireplace insert on the floor, directly behind your mantel. Make sure the backs of both the mantel and the fireplace are facing you.
3. It is advisable to have 2 people place the fireplace insert into the mantel, as it is heavy. Gently slide it into the opening in the mantel until the flange is flush against the inside of the fireplace. Make sure the insert is centered left and right in the opening. Be careful when placing and adjusting the insert, as the bottom of the insert could scratch the finish of the wood base/hearth of your fireplace.
4. Attach the mounting brackets (found in the fireplace mantel box) with the supplied screws using a Phillips head screwdriver. **DO NOT OVER TIGHTEN.**
5. With the help of an assistant, carefully lift completed unit and place it with the front facing out in the final location you have chosen for your fireplace.

## Instrucciones de instalación:

Después de preparar el lugar de colocación, podrá instalar la chimenea insertable.

1. Compruebe que la unidad esté apagada (consulte las instrucciones de operación).
2. Coloque la chimenea insertable sobre el suelo, directamente detrás de la repisa de la chimenea. Asegúrese de que la parte posterior de la repisa y de la chimenea miren hacia usted.
3. Recomendamos que entre 2 personas coloquen la chimenea insertable en el espacio de la chimenea, puesto que es pesada. Deslícela con cuidado en el espacio de la repisa hasta que la brida quede apoyada contra el interior de la chimenea. Asegúrese de que la unidad quede centrada entre la izquierda y la derecha del espacio. Tenga cuidado cuando coloque y ajuste la unidad, puesto que la parte inferior de la unidad puede rayar el acabado de la base de madera/la chimenea de su hogar.
4. Conecte los soportes de montaje (se encuentran en el espacio de la repisa de la chimenea) con los tornillos suministrados utilizando un destornillador de cabeza Phillips. **NO LOS APRIETE EN EXCESO.**
5. Con la ayuda de otra persona, levante cuidadosamente la unidad y colóquela con la parte delantera orientada hacia afuera en la ubicación final que escogió para su chimenea.

## Directives d'installation:

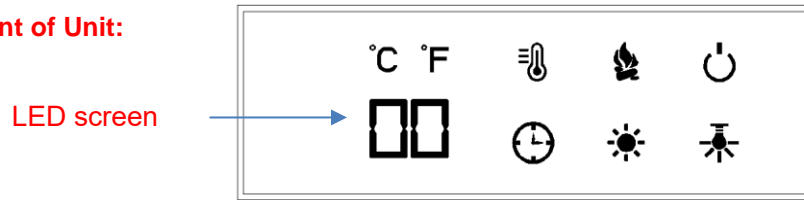
Une fois l'emplacement préparé, l'insert de cheminée peut être installé.

1. Assurez-vous que l'appareil est éteint (reportez-vous au mode d'emploi).
2. Placez l'insert de cheminée sur le sol, directement derrière votre manteau. Assurez-vous que l'arrière du manteau et du foyer sont face à vous.
3. Il est conseillé d'avoir 2 personnes pour placer l'insert de cheminée dans le manteau, car il est lourd. Faites-le glisser doucement dans l'ouverture du manteau jusqu'à ce que la bride affleure contre l'intérieur du foyer. Assurez-vous que l'insert est centré à gauche et à droite dans l'ouverture. Soyez prudent lorsque vous placez et ajustez l'insert, car le bas de l'insert pourrait rayer la finition de la base / foyer en bois de votre foyer.
4. Fixez les supports de montage (qui se trouvent dans la boîte du manteau de cheminée) avec les vis fournies à l'aide d'un tournevis cruciforme. **NE PAS TROP SERRER.**
5. Avec l'aide d'un assistant, soulevez délicatement l'unité terminée et placez-la avec l'avant orientée vers l'emplacement final que vous avez choisi pour votre foyer.

# Assembly | Asamblea | Assemblage

## Operating Instructions:

### Control Panel on the Front of Unit:



1. Power  
 2. Flame  
 3. Heater  
 4. Down Light  
 5. Log  
 6. Time



#### 1. On/Off Main Power Button

- Press to switch the unit ON/OFF.
- Child Lock: turn the unit on and hold POWER button for at least 5 seconds until you hear a beep sound (and the log blinks) to enter the Child Lock mode. To turn off the Child Lock mode, please press and hold the POWER button again for at least 5 seconds until you hear the beep sound (and the log blinks).



#### 2. Adjustable Flame Brightness

Adjust the flame brightness level: F5 - F4 - F3 - F2 - F1 - OFF (F5 being the brightest and F1 the dimmest. F5 is the default).



#### 3. On/Off Heater Button

- Program the thermostat. The fireplace can be used without the heater if desired.
- Adjust the temperature rating from 62°F - 82°F - ON (17°C - 27°C).  
Note: °F is the default unit. To change from Fahrenheit to Celsius: Hold the heater button for approximately 5 seconds. The temperature readout will switch directly from °F to °C and vice versa.



#### 4. Adjustable Down Light Color

Adjust the Down Light Color: d0 - d1 - d2 - d3 - d4 (d0:OFF, d1:Red, d2:Orange, d3:Blue, d4:White).



#### 5. Adjustable Log Brightness

Adjust the log brightness level: L5 - L4 - L3 - L2 - L1 - OFF (L5 being the brightest and L1 the dimmest. L5 is the default).



#### 6. Adjustable Timer

Control the duration of the heater function. Press the timer button until you have reached the desired duration time. Levels: 30 min - 1H - 2H - 3H - 4H - 5H - 6H - 7H - 8H - 9H - OFF

## ELECTRICAL CONNECTION:

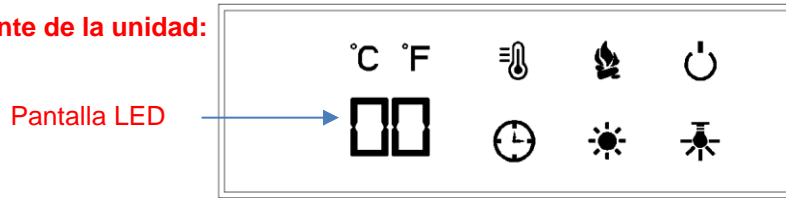
A 12.5 AMP, 120 Volts, 60 Hz circuit with a properly grounded outlet is required. It is recommended that the fireplace be on a dedicated circuit, as other appliances on the same circuit may cause the circuit breaker to trip or blow the fuse when the heater is in operation.

ELECTRICAL SPECIFICATIONS	
Voltage:	120 VAC, 60 Hz
Amps:	12.5 Amps
Watts:	1500 Watts
Lighting:	LED

# Assembly | Asambla | Assemblage

## Instrucciones de operación:

### Panel de control en el frente de la unidad:



1. Encendido 2. Flama 3. Calentador 4. Luces empotradas 5. Tronco 6. Tiempo



#### 1. Botón de encendido/apagado principal

- Presione para encender/apagar la unidad.
- Bloqueo para niños: encienda la unidad y mantenga presionado el botón de ENCENDIDO durante al menos 5 segundos hasta que escuche un pitido (y el registro parpadee) para ingresar al modo de bloqueo para niños. Para desactivar el modo de bloqueo para niños, presione y mantenga presionado el botón de ENCENDIDO nuevamente durante al menos 5 segundos hasta que escuche el pitido (y el registro parpadee).



#### 2. Brillo de llama ajustable

Ajuste el nivel de brillo de la llama: F5 - F4 - F3 - F2 - F1 - OFF (F5 es el más brillante y F1 el más tenue. F5 es el valor predeterminado).



#### 3. Botón de encendido/apagado del calentador

- Programar el termostato. La chimenea se puede usar sin el calentador si se desea.
- Ajuste la temperatura nominal de 62 ° F - 82 ° F - ENCENDIDO (17 ° C - 27 ° C).  
Nota: ° F es la unidad predeterminada. Para cambiar de Fahrenheit a Celsius: Mantenga presionado el botón del calentador durante aproximadamente 5 segundos. La lectura de temperatura cambiará directamente de ° F a ° C y viceversa.



#### 4. Color de luz descendente ajustable

Ajuste el color de la luz hacia abajo: d0 - d1 - d2 - d3 - d4 (d0: APAGADO, d1: rojo, d2: naranja, d3: azul, d4: blanco).



#### 5. Brillo de registro ajustable

Ajuste el nivel de brillo del registro: L5 - L4 - L3 - L2 - L1 - OFF (L5 es el más brillante y L1 el más tenue. L5 es el valor predeterminado).



#### 6. Temporizador Ajustable

Controla la duración de la función del calentador. Presione el botón del temporizador hasta que haya alcanzado el tiempo de duración deseado. Niveles: 30 min - 1H - 2H - 3H - 4H - 5H - 6H - 7H - 8H - 9H - APAGADO

## CONEXIÓN ELÉCTRICA:

Se requiere un circuito de 12.5 amperios, 120 voltios, 60 Hz, con una salida conectada correctamente a tierra. Es recomendable que la chimenea se conecte a un circuito dedicado, puesto que otros artefactos en el mismo circuito pueden causar que el disyuntor del circuito se dispare o el fusible se queme mientras funciona el calefactor.

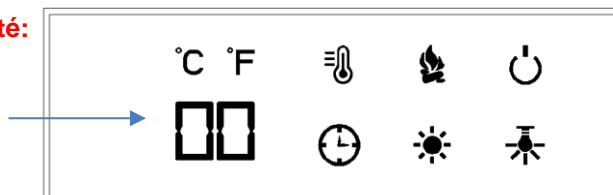
ESPECIFICACIONES ELÉCTRICAS	
Voltaje:	120 VCA, 60 Hz
Amperaje:	12.5 amperios
Vataje:	1500 vatios
Iluminación:	LED

# Assembly | Asamblea | Assemblage

## Directives d'utilisation:

### Panneau de commande à l'avant de l'unité:

Ecran LED



1. D'alimentation 2. Flamme 3. Chauffe-eau 4. Downlight 5. Grume 6. Heure

- 1. Bouton d'alimentation principal marche/arrêt**
  - Appuyez pour allumer / éteindre l'appareil.
  - Verrouillage enfant: allumez l'appareil et maintenez le bouton POWER enfoncé pendant au moins 5 secondes jusqu'à ce que vous entendiez un bip (et le journal clignote) pour passer en mode verrouillage enfant. Pour désactiver le mode verrouillage enfant, veuillez appuyer à nouveau sur le bouton POWER et le maintenir enfoncé pendant au moins 5 secondes jusqu'à ce que vous entendiez un bip (et le journal clignote).
- 2. Luminosité de flamme réglable**

Réglez le niveau de luminosité de la flamme: F5 - F4 - F3 - F2 - F1 – Arrêt (F5 étant le plus brillant et F1 le plus faible. F5 est la valeur par défaut).
- 3. Bouton de chauffage marche/arrêt**
  - Programmer le thermostat. Le foyer peut être utilisé sans chauffage si désiré.
  - Réglez la température nominale de 62 ° F - 82 ° F - Marche (17 ° C - 27 ° C).  
Remarque: ° F est l'unité par défaut. Pour passer de Fahrenheit à Celsius: Maintenez le bouton de chauffage pendant environ 5 secondes. La lecture de la température passera directement de ° F à ° C et vice versa.
- 4. Couleur de la lumière vers le bas réglable**

Réglez la couleur de la lumière vers le bas: d0 - d1 - d2 - d3 - d4 (d0: Arrêt, d1: rouge, d2: orange, d3: bleu, d4: blanc).
- 5. Luminosité du journal réglable**

Ajustez le niveau de luminosité du journal: L5 - L4 - L3 - L2 - L1 - Arrêt (L5 étant le plus brillant et L1 le plus faible. L5 est la valeur par défaut).
- 6. Minuterie réglable**

Contrôlez la durée de la fonction de chauffage. Appuyez sur le bouton de la minuterie jusqu'à ce que vous ayez atteint la durée souhaitée. Niveaux: 30 min - 1H - 2H - 3H - 4H - 5H - 6H - 7H - 8H - 9H – Arrêt

## RACCORDEMENT ÉLECTRIQUE:

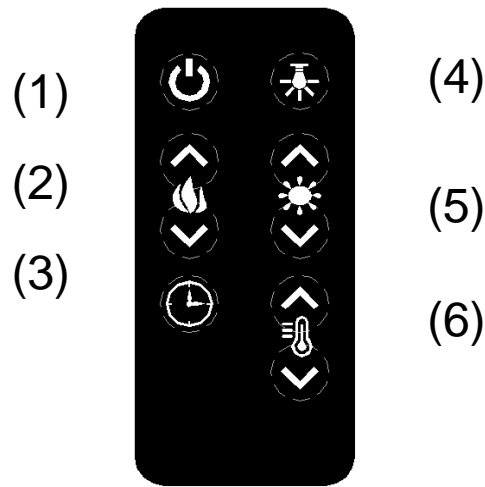
Un circuit de 12,5 A, 120 volts et 60 Hz muni d'une fiche correctement mise à la terre est nécessaire. Nous recommandons l'utilisation d'un circuit indépendant pour le foyer puisque les autres appareils sur le même circuit peuvent entraîner le déclenchement du disjoncteur ou griller le fusible lorsque la fournaise est allumée.

CARACTÉRISTIQUES ÉLECTRIQUES	
Tension:	120 V c.a., 60 Hz
Intensité de courant:	12,5 A
Puissance:	1500 watts
Éclairage:	DEL



# Assembly | Asamblea | Assemblage

## Remote Control Operating Procedures:



### (1) Power:

Press to turn the unit ON/OFF

### (2) Flame:

Press to adjust the level of brightness of the flame: F5- F4- F3- F2- F1- OFF. (F5 being the brightest and F1 the dimmest)

- ▲: raise the level of flame brightness
- ▼: lower the level of flame brightness

### (3) Timer:

Press to adjust the duration of the heater: 30 min- 1H- 2H- 3H- 4H- 5H- 6H- 7H- 8H- 9H- OFF

### (4) Down Light:

Press to adjust the Down Light Color: d0 - d1 - d2 - d3 - d4 (d0:OFF, d1:Red, d2:Orange, d3:Blue, d4:White).

### (5) Log:

Press to adjust the level of brightness of the log: L5- L4- L3- L2- L1- OFF. (L5 being the brightest and L1 the dimmest)

- ▲: raise the level of log brightness
- ▼: lower the level of log brightness

### (6) Heater:

Press to turn the heater ON/OFF. Adjust the temperature rating as follows: 62°F -- 82 °F (17 °C --- 27 °C) Note: °F is the default unit.

- ▲: raise the temperature rating
- ▼: lower the temperature rating

**Note: Do not mix old and new batteries.**

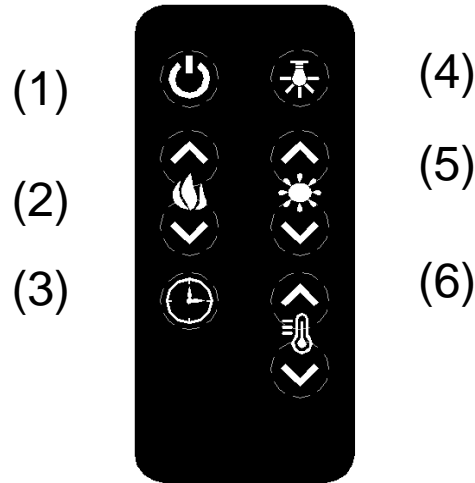
**Do not mix alkaline, standard (carbon-Zinc) or rechargeable (nickel-cadium) batteries.**

## Self Regulating Heater

The heater will turn on when temperature is set higher than the room's temperature and it will automatically turn off when the room has reached the desired temperature.

# Assembly | Asambla | Assemblage

## Procedimientos de Operacion con el Control Remoto:



### (1) Encendido/apagado:

Presiónelo para encender/apagar la unidad.

### (2) Llama:

Presiónelo para ajustar el nivel de intensidad de la llama: F5- F4- F3- F2- F1- Apagado. (F5 es la mayor intensidad y F1, la menor)

▲: eleva el nivel de intensidad de la llama

▼: reduce el nivel de intensidad de la llama

### (3) Temporizador:

Presiónelo para ajustar la duración de funcionamiento del calefactor: 30 min - 1 h - 2 h - 3 h - 4 h - 5 h - 6 h - 7 h - 8 h - 9 h - Apagado

### (4) Luz Empotrada:

Presione para ajustar el color de la luz hacia abajo: d0 - d1 - d2 - d3 - d4 (d0: Apagado, d1:Rojo, d2:Anaranjado, d3:Azul, d4:Blanco)

### (5) Leños:

Presiónelo para ajustar el nivel de intensidad de los leños: L5- L4- L3- L2- L1- Apagado. (L5 es la mayor intensidad y L1, la menor)

▲: eleva el nivel de intensidad de los leños

▼: reduce el nivel de intensidad los leños

### (6) Calefactor:

Presiónelo para encender/apagar el calefactor. Ajuste los grados de temperatura de la siguiente manera: 62 °F -- 82 °F (17 °C --- 27 °C) Nota: °F es la unidad predeterminada.

▲: eleva los grados de temperatura

▼: reduce los grados de temperatura

**Nota:** No combine baterías nuevas con antiguas.

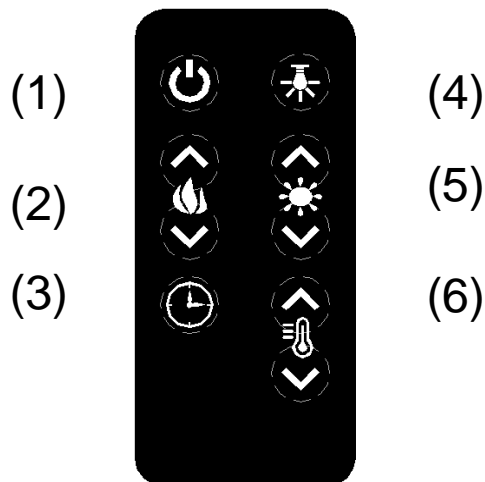
No combine baterías alcalinas, estándar (carbono-zinc) o baterías recargables (níquel-cadmio).

## Calefactor de regulación automática

El calefactor se encenderá cuando ajuste la temperatura en un nivel más alto que la temperatura de la habitación y se apagará automáticamente cuando la habitación haya alcanzado la temperatura deseada.

# Assembly | Asamblea | Assemblage

## Mode d'Emploi du Contrôle a Distance:



### (1) Alimentation:

Appuyez pour allumer ou éteindre l'unité.

### (2) Flamme:

Appuyez pour ajuster la luminosité des flammes: F5 - F4 - F3 - F2 - F1 - OFF (ARRÊT). (F5 étant le niveau le plus clair et F1, le plus sombre)

▲: augmente la luminosité des flammes

▼: réduit la luminosité des flammes

### (3) Minuterie:

Appuyez pour ajuster la durée de la fournaise: 30 min - 1 h - 2 h - 3 h - 4 h - 5 h - 6 h - 7 h - 8 h - 9 h - OFF (ARRÊT)

### (4) Lumière Inférieure:

Appuyez pour régler la couleur de la lumière vers le bas: d0 - d1 - d2 - d3 - d4 (d0:De, d1:Rouge, d2:Orange, d3: Bleu, d4: Blanc)

### (5) Bûche:

Appuyez pour ajuster la luminosité des bûches : L5 - L4 - L3 - L2 - L1 - OFF (ARRÊT). (L5 étant le niveau le plus clair et L1, le plus sombre)

▲: augmente la luminosité des bûches

▼: réduit la luminosité des bûches

### (6) Fournaise:

Appuyez pour allumer ou éteindre la fournaise. Ajustez la température comme suit: 62 °F à 82 °F (17 °C à 27 °C)

Remarque: °F est l'unité par défaut.

▲: augmente le niveau de température

▼: réduit le niveau de température

### Remarque:

N'utilisez pas à la fois d'anciennes et de nouvelles piles.

N'utilisez pas à la fois des piles alcalines, standard (carbone-zinc) et rechargeables (nickel-cadmium).

## Fournaise autoréglable

La fournaise s'allumera lorsque la température réglée est supérieure à la température de la pièce, et elle s'éteindra automatiquement quand la température désirée sera atteinte dans la pièce.

# Assembly | Asamblea | Assemblage

## Troubleshooting

Problem	Cause	Solution
Heater doesn't turn on with the power switch.	Main power supply switch is off.	Turn on the main power supply switch.
	Circuit breaker has tripped.	Too many appliances on this circuit. Be sure that the electrical supply for this unit is an individual circuit.
	Heater is unplugged from wall outlet.	Plug the cord into an outlet.
	Power cord or power plug are damaged.	Contact a SEI customer service.
	Power outlet for power plug prong is loose.	Check the power outlet and replace with a new one.
	Loose wiring.	Contact SEI customer service.
	Heater power switch is off.	Turn on the heater power switch.
There is an odor coming from the heater.	Heater system is overheated.	Heater may be covered, or air inlet or air outlet is blocked. Remove the covering or the blockage and turn off the power switch and unplug it. Wait ten minutes, plug it back in, then turn the heater on again.
	The heater may emit a slight, harmless odor when first used. This is a normal condition caused by initial heating of the internal parts, and will not occur again.	

# Assembly | Asamblea | Assemblage

<b>Problem</b>	<b>Cause</b>	<b>Solution</b>
Heater is on but no flame or low flame intensity.	Flame adjusting knob is at low setting.	Turn the knob to maximum setting.
	Loose wiring at the wall power outlet.	Contact a qualified electrician.
Flames are frozen.	Loose wiring at the wall power outlet.	Check all wiring for loose connections. Contact a qualified electrician.
	Flame element is not attached to the motor.	Contact SEI customer service
	Rotation motor is defective.	Contact SEI customer service
Excessive noise in the lower portion of the heater.	Flame element isn't seated properly.	Contact SEI customer service
	Motor is defective.	Contact SEI customer service
"HEATER POWER" switch has been flipped in the on position, but there is no airflow.	The air inlet or air outlet is completely blocked.	Move the unit and make sure to leave adequate space around it. Remove the blockage on or in front of the air outlet.
	The heater system is over heated, the temperature limit thermostat is cut off.	Check the air inlet and outlet. Turn off the power switch and unplug it. Wait ten minutes, then plug it back in and turn the heater on again.
	Fan motor is defective.	Contact SEI customer service
	Fan blower is balanced badly.	Contact SEI customer service

# Assembly | Asambla | Assemblage

## Solución de Problemas

Problema	Causa	Solución
El calefactor no se enciende cuando presiono el interruptor de encendido/apagado.	El interruptor de suministro de energía principal está apagado.	Enciéndalo.
	El disyuntor del circuito se disparó.	Hay demasiados artefactos conectados a este circuito. Asegúrese de que el suministro eléctrico para esta unidad provenga de un circuito individual.
	El calefactor está desconectado del tomacorriente.	Enchufe el cable a un tomacorriente.
	El cable de alimentación o el enchufe están dañados.	Comuníquese con Servicio al cliente de SEI.
	El tomacorriente para el enchufe está suelto.	Revise el tomacorriente y reemplácelo por uno nuevo.
	Cableado suelto.	Comuníquese con Servicio al cliente de SEI.
	El interruptor de encendido/apagado del calefactor está apagado.	Enciéndalo.
	El sistema del calefactor se sobrecalentó.	Es posible que el calefactor esté cubierto, o la salida o la entrada de aire estén bloqueadas; retire lo que está cubriendo o bloqueando el calefactor o las salidas, apáguelo y desenchúfelo. Espere diez minutos, vuelva a enchufarlo y enciéndalo nuevamente.
Sale un olor del calefactor.	Es posible que el calefactor emita un olor leve e inocuo cuando lo use por primera vez. Este es un hecho normal causado por el calentamiento inicial de las piezas internas y no se volverá a producir.	

# Assembly | Asamblea | Assemblage

Problema	Causa	Solución
El calefactor está encendido pero no tiene llama o la intensidad de la llama es baja.	La perilla de ajuste de intensidad de la llama está en un ajuste bajo.	Gírela hasta el ajuste máximo.
	Hay cableado suelto en el tomacorriente de la pared.	Solicite el servicio de un electricista profesional.
Las llamas permanecen estáticas.	Cableado suelto en el tomacorriente de la pared.	Revise todo el cableado para comprobar que no haya conexiones sueltas. Solicite el servicio de un electricista profesional.
	El elemento de llama no está conectado al motor.	Comuníquese con Servicio al cliente de SEI.
	El motor de rotación presenta defectos.	Comuníquese con Servicio al cliente de SEI.
La parte inferior del calefactor emite un ruido excesivo.	El elemento de llama no está ajustado correctamente.	Comuníquese con Servicio al cliente de SEI.
	El motor presenta defectos.	Comuníquese con Servicio al cliente de SEI.
El interruptor "HEATER POWER" (Encendido/apagado del calefactor) se puso en posición de encendido, pero no hay flujo de aire.	La entrada de aire o la salida de aire están completamente bloqueadas.	Mueva la unidad y asegúrese de dejar espacio suficiente a su alrededor. Retire el objeto que está bloqueando el área sobre o frente a la salida de aire.
	El sistema de calefactor se sobrecalentó, el termostato de límite de temperatura se apagó.	Revise la entrada y la salida de aire. Apague el interruptor de encendido y desenchufe el calefactor. Espere diez minutos, vuelva a enchufarlo y enciéndalo nuevamente.
	El motor del ventilador presenta defectos.	Comuníquese con Servicio al cliente de SEI.
	El ventilador no tiene un equilibrio correcto.	Comuníquese con Servicio al cliente de SEI.

# Assembly | Asamblea | Assemblage

## Dépannage

Problème	Cause	Solution
La fournaise ne s'allume pas à l'aide de l'interrupteur de l'alimentation.	L'interrupteur de l'alimentation principale est en mode arrêt.	Allumez l'interrupteur d'alimentation principale.
	Le disjoncteur s'est déclenché.	Il y a trop d'appareils sur ce circuit. Assurez-vous que l'alimentation électrique de cette unité est un circuit individuel.
	La fournaise n'est pas branchée dans la prise murale.	Branchez le cordon dans une prise.
	Le cordon ou la prise électrique sont endommagés.	Prenez contact avec le service à la clientèle de SEI.
	La prise électrique pour la fiche est lâche.	Vérifiez la prise électrique et remplacez-la.
	Câblage lâche.	Prenez contact avec le service à la clientèle de SEI.
	L'interrupteur de l'alimentation de la fournaise est en mode arrêt.	Allumez l'interrupteur d'alimentation de la fournaise.
	Le système de la fournaise surchauffe.	La fournaise peut être couverte ou les ouvertures de ventilation sont bloquées, retirez l'élément qui couvre ou qui bloque les ouvertures, puis éteignez et débranchez l'unité. Attendez dix minutes, rebranchez l'unité, puis allumez à nouveau la fournaise.
Une odeur s'échappe de la fournaise.	Il se peut que la fournaise émette une légère odeur inoffensive lors de sa première utilisation. Cette odeur est normale puisque les pièces intérieures chauffent pour la première fois. Cela ne se reproduira plus.	

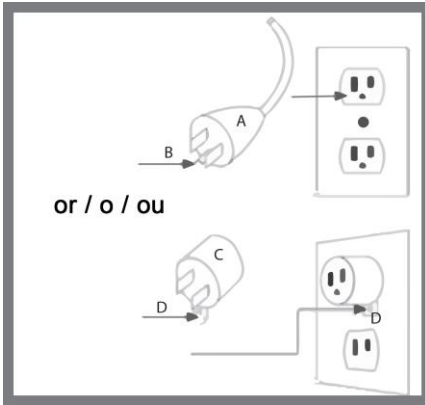


# Assembly | Asamblea | Assemblage

Problème	Cause	Solution
La fournaise est en marche, mais il n'y a aucune flamme ou les flammes sont sombres.	Le bouton d'ajustement des flammes est réglé à faible.	Tournez le bouton au réglage maximal.
	Câblage lâche près de la prise électrique murale.	Prenez contact avec un électricien qualifié.
Les flammes ne bougent pas.	Câblage lâche près de la prise électrique murale.	Vérifiez tout le câblage pour vous assurer qu'il n'y a pas de connexion lâche. Prenez contact avec un électricien qualifié.
	L'élément des flammes n'est pas relié au moteur.	Prenez contact avec le service à la clientèle de SEI.
	Le moteur rotatif est défectueux.	Prenez contact avec le service à la clientèle de SEI.
Bruit excessif dans la partie inférieure de la fournaise.	L'élément des flammes n'est pas installé correctement.	Prenez contact avec le service à la clientèle de SEI.
	Le moteur est défectueux.	Prenez contact avec le service à la clientèle de SEI.
L'interrupteur d'alimentation de la fournaise est en position marche, mais il n'y a aucune circulation d'air.	L'entrée ou la sortie d'air est complètement bloquée.	Déplacez l'unité et assurez-vous de laisser suffisamment d'espace autour de celle-ci. Retirez l'élément qui bloque l'entrée d'air.
	Le système de la fournaise est en surchauffe, le thermostat à limite de température est coupé.	Vérifiez l'entrée et la sortie d'air. Éteignez l'interrupteur d'alimentation et débranchez l'unité. Attendez dix minutes, rebranchez l'unité, puis allumez à nouveau la fournaise.
	Le moteur du ventilateur est défectueux.	Prenez contact avec le service à la clientèle de SEI.
	Le ventilateur refoulant est mal équilibré.	Prenez contact avec le service à la clientèle de SEI.

# Assembly | Asambla | Assemblage

## GROUNDING INSTRUCTIONS



This product must be grounded. If it should malfunction or breakdown, grounding provides a path of least resistance for electric current to reduce the risk of electric shock. This product is equipped with a cord that has an equipment-grounding conductor and a grounding plug.

The plug must be plugged into an appropriate outlet that is properly installed and grounded in accordance with all local codes and ordinances.

This heater is for use on 120 volts circuit and has a grounded plug that looks like the one illustrated on Figure 1. See Figure 1 for grounding instruction. An adapter as shown at C is available for connecting three-blade grounding type plugs to two-slot receptacles. The green grounding plug extending from the adapter must be connected to a permanent ground such as a properly grounded outlet box. The adapter should not be used if a three-slot grounded receptacle is available.

Improper connection of the equipment-grounding conductor can result in a risk of electric shock. Check with qualified electrician or serviceman if you are in doubt as to whether the product is properly grounded. Do not modify the plug provided with the product – If it will not fit the outlet; have a proper outlet installed by qualified electrician.



## INSTRUCCIONES PARA LA CONEXIÓN A TIERRA

Debe conectar a tierra este producto. Si tiene un funcionamiento incorrecto o presenta desperfectos, la conexión a tierra ofrece una vía de menor resistencia para la corriente eléctrica a fin de reducir el riesgo de una descarga eléctrica. Este producto se suministra con un cable que posee un conductor de conexión a tierra y un enchufe de conexión a tierra. Debe conectar el enchufe a un tomacorriente adecuado que esté instalado y conectado a tierra en forma correcta de conformidad con todos los códigos y ordenanzas locales.

Este calefactor se debe usar en un circuito de 120 voltios y posee un enchufe de conexión a tierra como el que se muestra en la ilustración en la Figura 1. Para obtener instrucciones de conexión a tierra, consulte la Figura 1. Un adaptador como el que se muestra en C está disponible para conectar enchufes de tres clavijas a receptáculos de dos clavijas. El enchufe de conexión a tierra verde que se extiende desde el adaptador se debe conectar a un receptáculo de conexión a tierra permanente, como una caja de enchufe conectada correctamente a tierra. Si hay un receptáculo de tres clavijas disponible, no debe usar el adaptador.

La conexión incorrecta del conductor de conexión a tierra puede plantear un riesgo de descarga eléctrica. Consulte a un electricista o profesional calificado si tiene dudas sobre la conexión a tierra correcta del producto. No modifique el enchufe suministrado con el producto; si no encaja en el tomacorriente, solicite a un electricista profesional que instale un tomacorriente adecuado.



## DIRECTIVES DE MISE À LA TERRE

Ce produit doit être mis à la terre. S'il vient à mal fonctionner ou à subir une panne, la mise à la terre permettra au courant électrique une faible résistance, ce qui réduira les risques de choc électrique. Ce produit est muni d'un cordon composé d'un conducteur et d'une fiche de mise à la terre. Cette fiche doit être branchée dans une prise appropriée correctement installée et mise à la terre conformément aux ordonnances et codes locaux.

Cette fournaise est destinée à être utilisée sur un circuit de 120 volts et est munie d'une fiche de mise à la terre comme celle illustrée à la Figure 1. Voir la Figure 1 pour les directives de mise à la terre. Un adaptateur comme indiqué en C est offert pour brancher les fiches à trois branches dans des réceptacles à deux fentes. La fiche verte de l'adaptateur doit être branchée dans une prise de mise à la terre permanente comme une boîte à prises correctement mise à la terre. N'utilisez pas l'adaptateur si vous avez accès à un réceptacle à trois fentes.

Un mauvais branchement du conducteur de mise à la terre peut entraîner des risques de chocs électriques. Vérifiez avec un électricien ou un préposé à l'entretien qualifié si vous n'êtes pas certain si le produit est correctement mis à la terre. Ne modifiez pas la fiche fournie avec le produit – si elle ne convient pas à la prise, demandez à un électricien qualifié d'en installer une qui convient.



# Assembly | Asamblea | Assemblage



## FCC STATEMENT

**NOTE:** This equipment has been tested and found to comply with the limits for Class B digital device, pursuant to Part 15 of the FCC Rules. These limits are designed to provide reasonable protection against harmful interference in a residential installation. This equipment generates, uses, and can radiate radio frequency energy and, if not installed and used in accordance with the instructions, may cause harmful interference to radio or television reception. However, there is no guarantee that interference will not occur in a particular installation. If this equipment does cause harmful interference to radio or television reception, which can be determined by turning the equipment off and on, the user is encouraged to try to correct the interference by one or more of the following measures:

- Reorient or relocate the receiving antenna.
- Increase the separation between the equipment and the receiver.
- Connect the equipment into an outlet on a circuit different from that to which the receiver is connected.
- Consult the dealer or an experienced radio/TV technician for help.

This device complies with Part 15 of the FCC Rules. Operation is subject to the following two conditions:

- This device may not cause harmful interference, and
- This device must accept any interference received, including interference that may cause undesired operation.

**Modifications not approved by the party responsible for compliance could void user's authority to operate the equipment. This Class B digital apparatus complies with Canadian ICES-003.**

## DECLARACIÓN DE LA FCC

**NOTA:** Este equipo fue probado y se confirmó que cumple con los límites para un dispositivo digital de Clase B, conforme a la Parte 15 de las Normas de la FCC. Estos límites se determinan para ofrecer una protección razonable contra la interferencia dañina en una instalación residencial. Este equipo genera, usa y puede irradiar energía de radiofrecuencia y, si no se instala y usa de acuerdo con las instrucciones, puede causar interferencia dañina para la recepción de radio o televisión. Sin embargo, no existe garantía de que no se vaya a producir interferencia en una instalación específica. Si este equipo causa interferencia dañina para la recepción de radio o televisión, lo que puede determinar al encender y apagar el equipo, recomendamos al usuario tratar de corregir la interferencia mediante una o más de las medidas siguientes:

- Modifique la orientación o la ubicación de la antena receptora.
- Aumente la separación entre el equipo y el receptor.
- Conecte el equipo a un tomacorriente de un circuito distinto del que eligió para conectar el receptor.
- Solicite ayuda al distribuidor o a un técnico en radio/televisión con experiencia.

Este dispositivo cumple con la Parte 15 de las Normas de la FCC. Su operación está sujeta a las dos condiciones siguientes:

- Este dispositivo no debe causar interferencia dañina, y
- Este dispositivo debe aceptar cualquier interferencia recibida, incluida la interferencia que pueda causar un funcionamiento no deseado.

**Las modificaciones no aprobadas por la parte responsable del cumplimiento pueden anular la facultad del usuario para operar el equipo.**

**Este artefacto digital de Clase B cumple con la norma canadiense ICES-003.**

## ÉNONCÉ DE LA FCC

**REMARQUE :** Cet équipement a été testé et est conforme aux limites des dispositifs numériques de classe B en vertu de la partie 15 de la réglementation de la FCC. Ces limites sont conçues pour fournir une protection raisonnable contre les interférences dangereuses dans une installation résidentielle. Cet équipement génère, utilise et peut émettre de l'énergie en fréquences radio et, s'il n'est pas installé et utilisé conformément aux directives, peut causer des interférences dommageables pour la réception de la radio ou de la télévision. Cependant, nous n'offrons aucune garantie quant à la survenue d'interférences dans une installation en particulier. Si cet équipement cause des interférences dommageables pour la réception de la radio ou de la télévision, ce que vous pouvez savoir en éteignant et en allumant l'équipement, nous vous encourageons à essayer de corriger l'interférence en appliquant une ou plusieurs des mesures suivantes :

- Réorientez ou relocalisez l'antenne de réception.
- Augmentez la distance entre l'équipement et le récepteur.
- Branchez l'équipement dans une prise sur un circuit différent de celui sur lequel est branché le récepteur.
- Consultez le détaillant ou un technicien en radio et télé d'expérience pour obtenir de l'aide.

Cet appareil est conforme à la partie 15 de la réglementation de la FCC. Son fonctionnement est assujéti aux deux conditions suivantes :

- Cet appareil ne peut pas causer d'interférence dommageable, et
- cet appareil doit accepter les interférences reçues, y compris les interférences pouvant entraîner un fonctionnement non désiré.

**Les modifications qui se sont pas approuvées par la partie responsable de la conformité peuvent annuler l'autorité de l'utilisateur à utiliser l'équipement.**

**Cet appareil numérique de classe B est conforme à la norme canadienne ICES-00**

# Assembly | Asamblea | Assemblage

## May We Help You? 800.633.5096

Please have this information ready when you call:

- Item Number
- PO #
- Purchaser Name
- Place of Purchase
- Purchase Date
- Date Product Arrived

Immediately examine this product carefully. Any request for missing or damaged part replacement must be received within 90 days of your receipt of the product. Requests for replacement parts, if available, will be honored within this time frame. Parts will not be available for items arriving fully assembled. We do not recommend modifying products and we are not responsible for any damages due to product modifications. If damages or missing parts are not reported within 90 days of receiving the product, we are under no obligation to provide parts or replacement merchandise. For product issues, please contact customer service at 800-633-5096 (toll-free) Mon-Fri 8:30am – 5pm CST. Please ask for a customer service representative for issues involving damages or replacement parts. Please ask for a technical assistance representative for any issues related to product assembly/ construction. Regarding product returns, please contact the retailer from whom you purchased the product.

Please note, for items purchased in a retail store, you will need to contact the retailer for all part needs.

Products purchased at garage sales or discount stores are sold as-is and are not covered by the above warranty

## ¿Podemos ayudarle? 800.633.5096

Tenga a mano esta información cuando llame:

- Número de artículo
- PO #
- Nombre del comprador
- Lugar de compra
- Fecha de compra
- Fecha en que llegó el producto

Inmediatamente examine este producto con cuidado. Cualquier solicitud de reemplazo de piezas faltantes o dañadas debe recibirse dentro de los 90 días posteriores a la recepción del producto. Las solicitudes de repuestos, si están disponibles, serán atendidas dentro de este marco de tiempo. Las piezas no estarán disponibles para los artículos que lleguen completamente ensamblados. No recomendamos modificar los productos y no nos hacemos responsables de los daños debidos a las modificaciones del producto. Si no se informan daños o piezas faltantes dentro de los 90 días de haber recibido el producto, no estamos obligados a proporcionar piezas o productos de reemplazo. Para problemas con el producto, comuníquese con el servicio al cliente al 800-633-5096 (sin cargo) de lunes a viernes, de 8:30 a. M. A 5 p.m. CST. Solicite a un representante de servicio al cliente si tiene problemas con daños o piezas de repuesto. Solicite un representante de asistencia técnica para cualquier problema relacionado con el montaje / construcción del producto. Con respecto a las devoluciones de productos, comuníquese con el vendedor al que le compró el producto.

Tenga en cuenta que, para los artículos comprados en una tienda minorista, deberá comunicarse con el minorista para todas las necesidades de piezas.

Los productos comprados en las ventas de garaje o tiendas de descuento se venden tal como están y no están cubiertos por la garantía anterior.

## Pouvons-nous vous aider? 800.633.5096

Veillez avoir cette information à portée de main lorsque vous appelez:

- Numéro d'article
- PO #
- Nom de l'acheteur
- Lieu d'achat
- Date d'achat
- Date d'arrivée du produit

Immédiatement examiner ce produit soigneusement. Toute demande de remplacement de pièce manquante ou endommagée doit être reçue dans les 90 jours suivant la réception de votre produit. Les demandes de pièces de rechange, si elles sont disponibles, seront honorées dans ce délai. Les pièces ne seront pas disponibles pour les articles arrivant complètement assemblés. Nous ne recommandons pas de modifier les produits et nous ne sommes pas responsables des dommages causés par des modifications du produit. Si les dommages ou les pièces manquantes ne sont pas signalés dans les 90 jours suivant la réception du produit, nous ne sommes pas tenus de fournir des pièces ou des produits de remplacement. En cas de problème avec le produit, veuillez contacter le service clientèle le 800-633-5096 (sans frais) du lundi au vendredi de 8h30 à 17h, heure de Paris. S'il vous plaît demander à un représentant du service clientèle pour les problèmes impliquant des dommages ou des pièces de rechange. Veuillez demander à un représentant de l'assistance technique de résoudre tout problème lié à l'assemblage / la construction du produit. En ce qui concerne les retours de produits, veuillez contacter le détaillant chez qui vous avez acheté le produit.

Veillez noter que pour les articles achetés dans un magasin de détail, vous devrez contacter le détaillant pour tous les besoins en pièces.

Les produits achetés dans les vide-greniers ou les magasins à prix réduits sont vendus tels quels et ne sont pas couverts par la garantie ci-dessus.