

# SPORT PIT



SPORTPIT20-BLK

---

## Portable Fire Pit Series

Installation & Operation Instructions



**FIRE INSPIRED<sup>®</sup>**

Inspired by safety.  
Innovated for your lifestyle.

950-SPORT PIT



C US

NATIONAL  
FIREPLACE  
INSTITUTE






**This is a Safety Alert Symbol**

When you see this symbol on the fire pit insert, or in this manual, look for one of the following signal word panels alerting you to the potential for personal injury, death or major property damage.

**⚠ WARNING: For Outdoor Use Only.**  
Installation and service must be performed by a qualified installer, service agency, or the gas supplier.

**⚠ WARNING**  
Do not store or use gasoline or other flammable vapors and liquids in vicinity of this or any other appliance.  
  
An LP-cylinder not connected for use shall not be stored in the vicinity of this or any other appliance.

**⚠ DANGER**  
**FIRE OR EXPLOSION HAZARD**  
If you smell gas:  
• Shut off gas to the appliance.  
• Extinguish an open flame.  
• If odor continues, leave the area immediately.  
• After leaving the area the fire department.  
  
Failure to follow these instructions could result in fire or explosion, which could cause property damage, personal injury, or death.

<b>⚠ DANGER</b>	<b>CARBON MONOXIDE HAZARD</b>
	This appliance can produce carbon monoxide which has no odor.  Using it in an enclosed space can kill you.  Never use this appliance in an enclosed space such as a camper, tent, car or home.

**INSTALLER: Leave this manual with the appliance.**  
**CONSUMER: Retain this manual for future reference.**

**⚠ WARNING: If the information in this manual is not followed exactly, a fire or explosion may result causing property damage, personal injury, or loss of life.**

**⚠ DANGER • FLAMMABLE GAS UNDER PRESSURE.  
LEAKING LP-GAS MAY CAUSE A FIRE OR EXPLOSION IF IGNITED  
CAUSING SERIOUS BODILY INJURY OR DEATH.  
CONTACT LP GAS SUPPLIER FOR REPAIRS, OR DISPOSAL OF THIS  
CYLINDER OR UNUSED LP-GAS.**

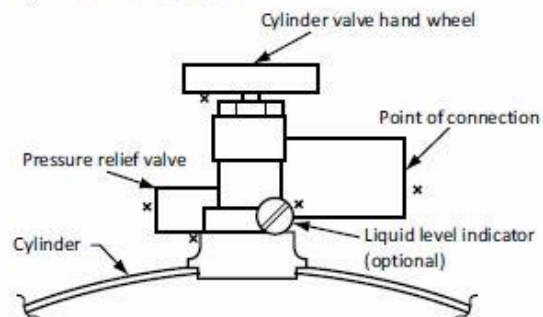
**⚠ WARNING • FOR OUTDOOR USE ONLY.\*  
DO NOT USE OR STORE CYLINDER IN A BUILDING,  
GARAGE OR ENCLOSED AREA.**

**⚠ WARNING:**

- Know the odor of LP-gas. If you hear, see or smell leaking LP-gas, immediately get everyone away from the cylinder and call the Fire Department. Do not attempt repairs.
- Caution your LP-gas supplier to:
  - Be certain cylinder is purged of trapped air prior to first filling.
  - Be certain not to over fill the cylinder.
  - Be certain cylinder requalification date is checked.
- LP-gas is heavier than air and may settle in low places while dissipating.
- Contact with the liquid contents of cylinder will cause freeze burns to the skin.
- Do not allow children to tamper or play with cylinder.
- When not connected for use, keep cylinder valve turned off. Self contained appliances shall be limited to a cylinder of 30 lb capacity or less.
- Do not use, store or transport cylinder where it would be exposed to high temperatures. Relief valve may open allowing a large amount of flammable gas to escape.
- When transporting, keep cylinder secured in an upright position with cylinder valve turned off.

**WHEN CONNECTING FOR USE:**

- Use only in compliance with applicable codes.
- Read and follow manufacturer's instructions.
- Consult manufacturer's instructions concerning the cylinder connection provided with your appliance.
- Be sure regulator vent is not pointing up.
- Turn off all valves on the appliance.
- Do not check for gas leaks with a match or open flame. Apply soapy water at areas marked "X". Open cylinder valve. If bubble appears, close valve and have LP-gas service person make needed repairs. Also, check appliance valves and connections to make sure they do not leak before lighting appliance.
- Light appliance(s) following manufacturer's instructions.
- When appliance is not in use, keep the cylinder valve closed.



**DO NOT REMOVE, DEFACE, OR OBLITERATE THIS LABEL  
\*EXCEPT AS AUTHORIZED BY ANSI/NFPA 58.**

**⚠ DANGER.** Do not store a spare LP cylinder under or near a barbecue grill, or other heat sources.  
NEVER fill an LP cylinder beyond 80% full: a fire causing death or serious injury may occur.

# Table of Contents

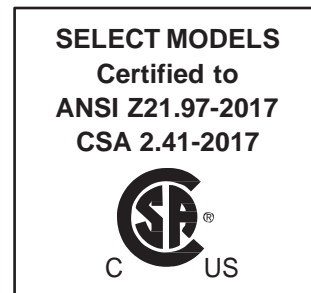
---

<b>1 Important Safety Information</b> .....	4
Technical Support .....	4
Symbol Legend .....	4
Important Safety Information for Installers .....	5
Important Safety Information for End-Users.....	5
<b>2 Product Features and Parts List</b> .....	6
<b>3 Selecting the Fire Pit Location</b> .....	7
<b>4 Overhead Structures and Sidewall Clearance Requirements</b> .....	8
<b>5 Remote LP Tank System Enclosure Requirements - If Applicable</b> .....	9
<b>6 Installing the Fire Pit</b> .....	14
<b>7 Adding Approved Media</b> .....	15
<b>8 Operating the Fire Pit</b> .....	16
<b>9 Maintaining the Fire Pit</b> .....	18
<b>10 Troubleshooting</b> .....	19
<b>11 Compatible Accessories</b> .....	20
<b>12 Replacement Parts</b> .....	20
<b>13 Warranty</b> .....	21

# 1 Important Safety Information

---

- To qualify for warranty, all instructions must be strictly followed. Otherwise, warranty may be void. Never alter product or configuration in any way.
- Annual servicing should be handled by professionals certified in the US by the National Fireplace Institute (NFI) as NFI Gas Specialists or in Canada by WETT (Wood Energy Technical Training).
- It is the end-user's responsibility to ensure a safe installation and educate regarding the features, safety recommendations and proper operation of this product.
- Please reference page 1 for all warnings.



## Symbol Legend



### This is a Safety Alert Symbol

When you see this symbol on the fire pit insert, or in this manual, look for one of the following signal word panels alerting you to the potential for personal injury, death or major property damage.



Necessary instructions

---

## Technical Support

For information and support contact your Hearth Products Controls dealer.

# 1 Important Safety Information

---

*Please reference page 1 for all warnings.*

## Important Safety Information for Installers

Manual needs to be with the end-user and to retain it for future reference. Instructions and product updates are also available at [www.hpcfire.com](http://www.hpcfire.com) under the Support tab.

End-users must carefully follow the instructions in this manual to prevent personal injury or property loss. These instructions contain information critical to the safe installation and operation of the portable fire pit.

- Instructions are updated as needed. It is the responsibility of the end-user to check for product updates and installation manual updates at [www.hpcfire.com/support.html](http://www.hpcfire.com/support.html) prior to installation.
- It is the responsibility of the installer to follow:
  - The National Fuel Gas Code, ANSI Z223.1/NFPA 54 or International Fuel Gas Code.
  - Natural Gas and Propane Installation Code CSA B149.1 or CSA B149.2.
  - The National Electrical Code, ANSI/NFPA 70. In Canada, Canadian Electrical Code CSA22.1.
  - Local codes
- Only use gas/fuel type specified for this portable fire pit as noted on the portable fire pit controls label. NEVER use an alternative fuel to include biofuel, ethanol, lighter fluid or any other fuel.
- For use with an LP tank – A 20lb tank can be used.
- Gas pressure and type should be checked prior to installation and use.
  - **LP Gas:** Supply Pressure: Propane manifold pressure: 11.0" W.C.

## Important Safety Information for End-Users

- Never leave an operating portable fire pit unattended or with someone not familiar with its operation or emergency shut-off locations.
- Both children and adults should be alerted to the hazards of high surface temperatures and should stay away to avoid burns and clothing ignition.
- Young children should be carefully supervised when they are in the area of portable fire pit.
- Keep the appliance area clear and free from combustible materials, gasoline, and other flammable vapors and liquids.

## 2 Product Features and Parts List

---

FirePitInsert  
Installation and Operation Instructions



- LP tank not included
- LP tank enclosure or mounting bracket is not included.
- LP tank must be securely fastened to an enclosure or with a bracket to a solid surface to avoid tipping.

### 3 Selecting the Fire Pit Location

---

**NOTE:** All portable fire pits are designed and intended for outdoor use only.

**IMPORTANT** It is recommended that material such as granite, marble or other dense stone be kept away from heat and especially flame due to risk of cracking. HPC is not responsible for damage resulting from failure to follow these recommendations.

- Select a location that
  - Provides enough horizontal room to enjoy the portable fire pit while allowing a safe distance from the heat and flame.
  - LP tank must be mounted to a solid surface. Use an enclosure or mounting bracket designed to fit the LP tank. Follow the instructions for installing the LP tank to ensure it is secure.
- Portable fire pits create very high temperatures. For clearances refer to table 3.1. Clothing or other flammable materials should not be placed on or near fire pit.

#### Clearances around Portable Fire Pit

Fire Pit Clearances	Up to 65K
Sides Surrounding Portable Fire Pit from Structure or Combustibles	36" (12" for noncombustible)
Overhead Clearance above Product	84"
Tank attachment (RV, Camper or Tank)	54"

Table 3.1 – Sport Pit Clearance



# 4 Overhead Structures and Sidewall Clearance

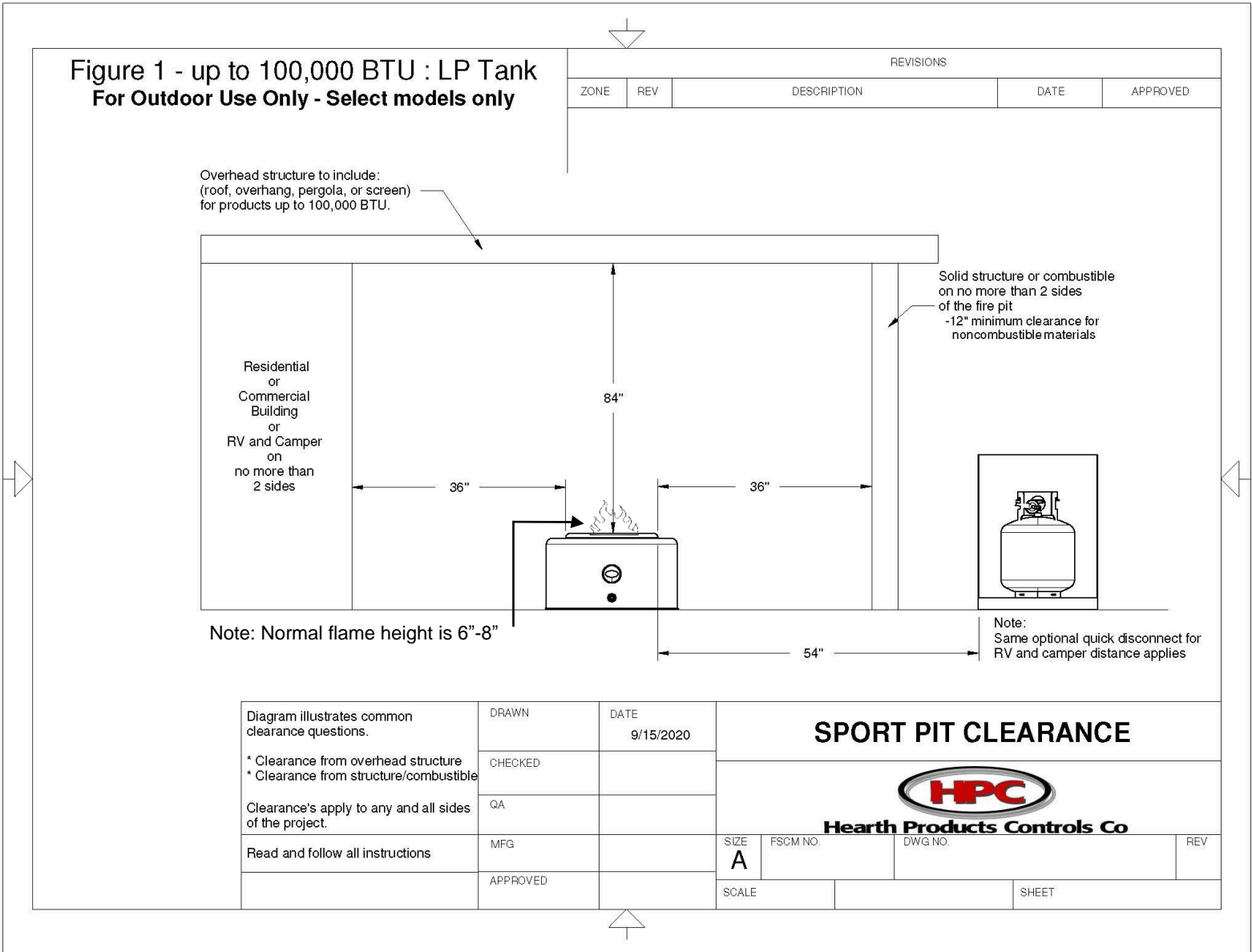


Table 4.1 – Sport Pit Clearance

## 5 Remote LP Tank System Enclosure Requirements - If Applicable

### IMPORTANT

Only select models of Push-Button / Match-Lit (FPPK and MLFPK) fire pits are permissible for small tank use. Please see the HPC product catalog, visit [www.hpcfire.com](http://www.hpcfire.com), or contact your HPC dealer for details.

### IMPORTANT

Locate the hose out of pathways to avoid accidental damage and prevent it from becoming a trip hazard.

For an enclosure using an LP tank system, follow these recommended specifications:

- You must follow local codes.

### IMPORTANT

The remote LP tank / enclosure should be a minimum of 54 inches from the fire pit.

- One side of the enclosure shall be completely open; OR
- For an enclosure having four sides, a top, and a bottom:
  - At least two ventilation openings shall be provided in the side walls of the enclosure, located within 5 inches (127mm) of the top of the enclosure, equally sized, spaced at a minimum of 180 degrees, and unobstructed. The opening(s) shall have a total free area of not less than 1 in<sup>2</sup> lb. (14.2 cm<sup>2</sup>kg) of stored fuel capacity. See Figure 6.1.
  - Ventilation opening(s) shall be provided at the floor level of the enclosure and shall have a total free area of not less than 1/2 in<sup>2</sup> lb. (7.1 cm<sup>2</sup>kg) of stored fuel capacity. If ventilation openings at floor level are in a side wall, there shall be at least two openings. The bottom of the openings shall be 1 inch (25.4mm) or less from the floor level and the upper edge no more than 5 inches (127mm) above the floor level. The openings shall be equally sized, spaced at a minimum of 180 degrees and unobstructed. See Figure 6.1.
- Every opening shall have minimum dimensions so as to permit the entrance of an 1/8-inch (3.2mm) diameter rod.

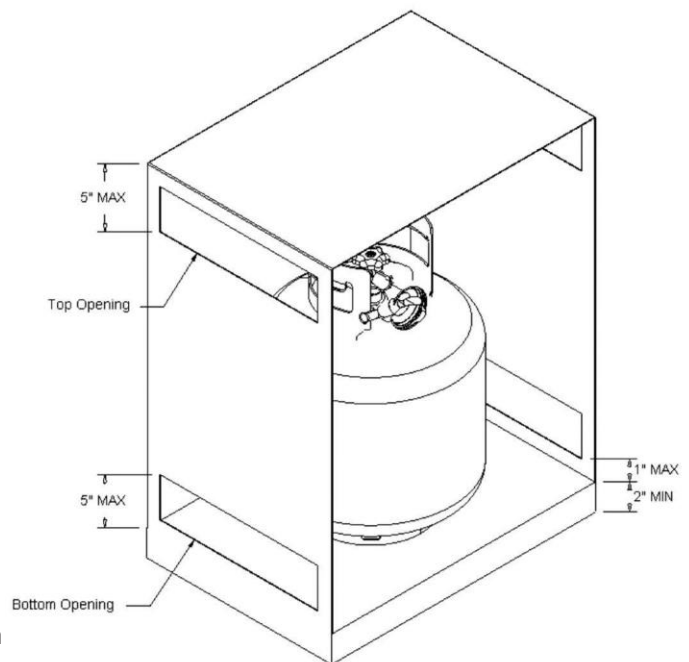


Figure 6.1 – Top and bottom side ventilation openings for LP tank enclosure.

## 5 Remote LP Tank System Enclosure Requirements - If Applicable

---

- Ventilation openings in sidewalls shall not communicate directly with other enclosures of the appliance. See Tables 6.1 and 6.2.

LP Tank Size	Top Opening	Bottom Opening
20 LB (9.1 KG)	20 in <sup>2</sup> (130 cm <sup>2</sup> )	10 in <sup>2</sup> (65 cm <sup>2</sup> )

Table 6.1 – LP tank enclosure opening specifications by tank size.

LP Tank Enclosure Specifications
2 Openings for each top and bottom - 180° apart
From LP tank base to bottom of opening - Max. 1" (25.4mm)
From floor to base of LP tank - Min. 2" (50.8mm)

Table 6.2 – LP tank enclosure opening specifications.

- The cylinder valve shall be readily accessible for hand operation. A door on the enclosure to gain access to the cylinder valves is acceptable, provided it is non-locking and can be opened without the use of tools. Designs using a cover to gain access to the cylinder and cylinder valve shall be provided with handles or the equivalent at a minimum of 180 degrees apart to facilitate lifting of the cover.
- The enclosure for the LP-gas cylinder shall isolate the cylinder from the burner compartment to provide:
  - Shielding from radiation;
  - A flame barrier; and
  - Protection from foreign material.
- There shall be a minimum clearance of 2 inches (50.8mm) between the floor of the non-disposable LP-gas cylinder enclosure and the ground.
- The design of the enclosure shall be such that:
  - A non-disposable LP-gas cylinder can be connected, disconnected, and the connections inspected and tested outside the cylinder enclosure; and
  - Those connections, which could be disturbed when installing the cylinder in the enclosure, can be leak-tested inside the enclosure.

## 5 Remote LP Tank System Enclosure Requirements – If Applicable

---

### Propane Cylinder: Safety Requirements

- This appliance has been designed for use with a 20-lb size propane cylinder (not supplied).
- The propane cylinder should be checked by your propane supplier prior to installation and use.
- Never use a cylinder with a damaged valve. A worn cylinder may be hazardous and should be checked by your propane supplier.
- Use only a propane supply cylinder constructed and marked in accordance with the specifications for LP gas cylinders by the National Standard of Canada, CAN/CSA B339, Cylinders, Spheres and Tubes for Transportation of Dangerous Goods; and Commission, as applicable or the Specifications for LP-Gas Cylinders of by the U.S. Department of Transportation (DOT).
- Do not store a spare LP-gas cylinder under or near this appliance.
- Never fill the cylinder beyond 80 percent full.
- Only use the hose assembly provided with this appliance or replacement pressure regulators and hose assemblies as specified by the manufacturer. The regulator supplies a pressure of 11 inches water column at the appliance and has a QCC1 type fitting.

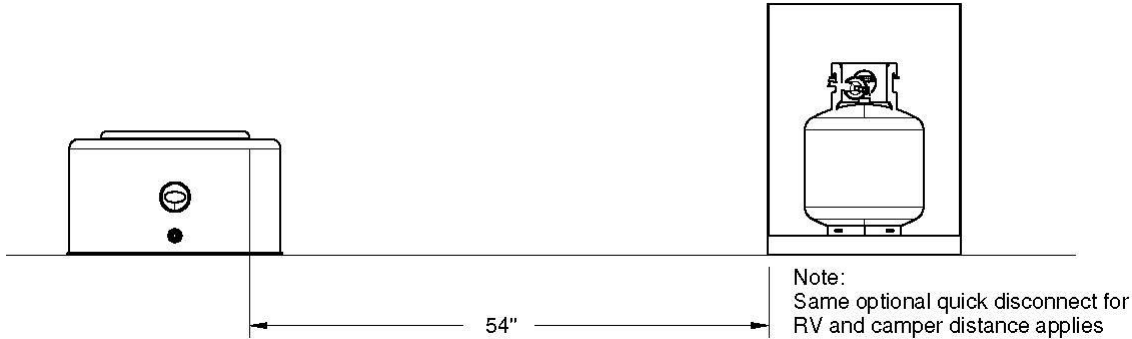
### Propane cylinder specifications

- The propane cylinder must be provided with a cylinder connection device compatible with the connection for outdoor appliances.
- The propane cylinder must be supplied with a shut-off valve terminating in a propane cylinder valve type QCC1 and include a collar to protect the cylinder valve. A QCC1 cylinder has a positive seating connection, which will not allow gas to flow until a positive seal has been achieved. It is also equipped with an excess flow device. In order to attain full flow to the appliance, the valve must be in the off position when the cylinder valve is turned on.
- The propane cylinder must have a safety relief device having direct communication with the vapor space of the cylinder.
- The cylinder supply system must be arranged for vapor withdrawal.
- The cylinder shall incorporate listed overfill protection device (OPD).

## 5 Remote LP Tank System Enclosure Requirements - If Applicable

---

### Locating the LP tank:



### Securing the LP tank:

1. Use an enclosure or L-bracket designed to hold a 20 lb. LP tank. Fasten the L-bracket to the bottom of the propane tank using a nut and bolt. Ensure the nut is tight and will not loosen.
2. Select the location for the propane tank following the guidelines above, Figure 6.2.
3. Screw the bracket to the mounting surface. For concrete surface, use a concrete anchor (not supplied). Ensure that screw is tight so that the cylinder cannot move.

#### WARNING

Failure to follow location and mounting guidelines for the LP tank could result in serious injury.

#### WARNING

- Locate the LP Tank and enclosure out of pathways to avoid accidental damage and prevent them from becoming a trip hazard.
- Locate the hose out of pathways to avoid accidental damage and prevent it from becoming a trip hazard.

#### WARNING

- Always ensure L-bracket is securely fastened to prevent the LP tank from tipping.

## 5 Remote LP Tank System Enclosure Requirements – If Applicable

---

### Connecting the Cylinder:

1. Ensure the gas regulator has no kinks and is smooth.
2. Remove the cap or plug from the cylinder fuel valve.
3. Insert the black QCC1 regulator nipple onto the QCC1 fuel valve and tighten until snug. Do not use tools.
4. Perform a leak test on all joints prior to using the gas appliance. A leak test must be performed annually and each time a cylinder is hooked up or if a part of the gas system is replaced. This includes all fittings on the inside of the Sport Pit.
  - Test procedure for checking gas leaks
    - 1) Ensure your propane tank is closed
    - 2) Mix 10% liquid soap with water in a spray bottle
    - 3) Spray and apply the soapy water at each of the fittings on the Sport Pit, includes regulator, hose and orifice.
    - 4) Open valve of the propane tank without turning on the Sport Pit. This pressurizes the hose.
    - 5) Check all fittings, if there is a leak, you will see bubbles forming.
    - 6) If there are no bubbles, it is safe to use. If there are bubbles, the fittings need tightened or resealed with proper plumbers' sealant. Always consult a licensed plumber.
5. Follow the instructions for natural gas hook-up if the appliance is to be connected directly to a house propane gas supply line.

## 6 Installing the Fire Pit

---

**IMPORTANT**

To prevent damage, unhook the portable fire pit from the gas supply for pressure leak tests.

**IMPORTANT**

*Burn Testing:* It is the responsibility of the qualified installer to test for gas leaks at all connections.

- Perform all leak tests with leak detector or leak reactant.

### Installation Steps:

1. Set portable fire pit in properly location.
2. Position portable fire pit following safety recommendations with access to all gas connections for testing.  
Read **Section 3 – Selecting the Fire Pit Location** for more details.
3. Shut off gas supply to portable fire pit.
4. Connect portable fire pit to LP tank.
5. Turn on gas supply, purge gas lines of air and perform leak test on all inlet connections.  
Repair as needed.
6. Light portable fire pit. It may take several seconds to purge air from the lines. Read **Section 9 – Operating the Fire Pit**
7. Once portable fire pit is lit, perform leak test on all gas connections. Repair as needed.
8. Turn off portable fire pit and allow it to cool.
9. Apply media as described in **Section 8, Adding Approved Media**. When filling the pan with lava rock and/or decorative glass, the instructions in Section 8 must be followed.
10. Turn on portable fire pit again and perform leak test with media correctly installed. If gas leak is detected verify correct media application and repair as needed.
11. Verify correct operation and lighting.
12. Leave manual with end user.

## 7 Adding Approved Media

---



### WARNING

FOR GLASS MEDIA USAGE WITH LP GAS- WHEN USING APPROVED DECORATIVE GLASS TO COVER BURNER APPLY ONLY ENOUGH TO HIDE BURNER. APPLYING OVER 1/2" MAY CREATE BACK PRESSURE AND GAS LEAKAGE FROM AIR MIXER RESULTING IN LP POOLING UNDER FIRE PIT.



### WARNING

FOR GLASS MEDIA USAGE WITH LP GAS- THE UNIT MUST BE TESTED WITH MEDIA OVER BURNER FOR CONFIRMATION OF NO BACK PRESSURE CREATING GAS TO LEAK OUT OF AIR MIXER VENTURI HOLES. THIS MAY HAVE TO BE



### WARNING

Never use any material that is non-porous or holds moisture such as gravel, pebbles, river rock, etc. When heated, non-porous material will not allow heated steam to readily escape which can break and cause personal injury or damage. Material that holds moisture can boil and fracture unexpectedly when exposed to heat.

### IMPORTANT

The portable fire pit is designed to use approved media correctly installed over the burner to achieve proper combustion.

- Never install a mesh or screen under the media.
- Media affects flame pattern greatly.

Please follow the instructions below to add the finishing touch to your portable fire pit.

Incorrect media installation will cause the flame on thermocouple to suffocate and turn off pit or delay main burner ignition.

### Decorative Glass Application

Fill pan with media. Cover burner with approx. ½ inch of glass. Do not overfill pan with glass. All LP installations must be checked for back pressure with media installed. Failure to do so may result in personal injury or property damage.





## 8 Operating the Fire Pit

---

- Before use, be sure to test all gas connections for leaks. Do not use portable fire pit if there is any evidence of leaking gas. If leaking gas suspected, turn off the main gas supply and repair immediately.
- The hose should be inspected before each use of the portable fire pit and replaced prior to use if there is evidence of excessive abrasion or wear or if the hose is damaged. The replacement hose assembly shall be that specified by the manufacturer.
- Do not use the portable fire pit if any part has been under water. Immediately call a qualified service technician to inspect the fire pit.
- Never use any material that is non-porous and holds moisture such as gravel, pebbles, river rock, etc. This material, when heated will cause the trapped moisture to boil and fracture unexpectedly. This material is not sufficiently porous to allow heated steam to readily escape which can break and cause personal injury or damage.
- Solid fuels shall not be burned in the portable fire pit.
- Leaves, sticks, wood, paper, clothing, food material, should be kept away from the portable fire pit. Clothing or other flammable materials should not be hung from the appliance or placed on or near the appliance. Keep the appliance area free from gasoline, and other flammable vapors and liquids.
- Portable fire pit is not for cooking.
- Make sure that there is no vegetation or other objects over the top or sides of the portable fire pit that could interfere with safe operation. See clearances in **Section 3 – Selecting the Fire Pit Location**.
- If lava rock is wet, allow the portable fire pit to burn for 45 minutes prior to coming within 15 feet of the fire pit.
- Only operate portable fire pit on flat surface. Do not use on an angled surface. The portable fire pit has a built-in tip switch and will cause it to shut off if the appliance is greater than a 45° angle.
- When the portable fire pit is not in operation, turn off gas valve.
- Portable fire pit is not recommended to not be used during rainy conditions.
- When not in use, the portable fire pit must always be covered.

## 8 Operating the Fire Pit

---

### Sport Pit Start-up

1. STOP! Read the safety information on “If you smell gas”, **Section 1 – Important Safety Information**.
2. Confirm there is no debris in the portable fire pit (as mentioned in warnings) including water.
3. Place long handled lighter or match while burning on top of the portable fire pit.
4. Press the valve knob and turn it to “on” position slowly, hold it for about 10 seconds
5. After burner lights, remove lighter or match and release the knob.
6. Adjust flame to desired height.

**NOTE:** If burner does not light turn valve off and wait 5 minutes, then repeat steps 3-6.

7. Ensure portable fire pit, children and patrons are supervised by a responsible adult that is familiar with emergency shut down.
8. Flammable materials should not be placed on or near the portable fire pit.

**This product is intended to be connected to an LP small tank**



### DANGER

**If you smell gas:**

- 1) Shut off gas to appliance.
- 2) Extinguish any open flame.
- 3) If odor continues, keep away from appliance and immediately call gas supplier or fire department.

### Sport Pit Shutdown

1. Turn “OFF” gas valve.
2. Once the portable fire pit is cooled, use appropriate cover to protect appliance.

## 9 Maintaining the Fire Pit

---

- Any guard or protective device removed for servicing must be replaced prior to operating the portable fire pit.
- We suggest that our products be serviced annually by a professional certified in the US by the National Fireplace Institute (NFI) as NFI Gas Specialists.
- Ensure gas is shut off and portable fire pit is cool before servicing.
- Always keep portable fire pit covered when not in use and free of debris.
- In some areas of the country, spiders or insects have been known to build nests and/or lay eggs in the venturi holes of the air-mixer for LP units. This can cause fuel to fill the fire feature cavity and result in personal injury or property damage. Periodic inspection by a qualified service technician of the air-mixer is required to ensure your fire feature performs properly, Figure 10.1.
- **Burner Cleaning: One time a year.** If flames exhibit any abnormal shapes or behavior, or if burner fails to ignite properly, then the burner holes may require cleaning. The appliance can be cleaned by carefully removing the media to allow access to burner. Use a brush to carefully remove dust, spider webs, and loose particles from fire ring itself. If evidence of damage, fire ring must be replaced with fire ring specified by the manufacturer.

### Service



We suggest that our products be serviced by a professional certified in the US by the National Fireplace Institute (NFI) as NFI Gas Specialists.

# 10 Troubleshooting

Table 11.1 below indicates some potential causes and counter measures to the symptoms indicated in bold. **Please contact your retailer or certified technician for service and repair.**

### Service



We suggest that our products be serviced by a professional certified in the US by the National Fireplace Institute (NFI) as NFI Gas Specialists.

Problem	Possible Causes	Solution
<b>Burner will not light</b>	Air in gas line	Bleed air from gas line by slowly opening valve Propane (LP) - check gas level in tank
	No gas flow - gas not ON or line obstruction	Confirm gas is ON upstream Possible debris in line - insulation, dirt, plastic, etc.
	Tip Switch engaged	Shut gas off and level appliance
<b>Burner will not stay lit</b>	Thermocouple not sensing	Possible dirty. Also, debris or media blocking.
	Burner obstructed	Confirm no water or debris in burner
	Improperly applied or too much media	Re-apply media (Section 8)
	Too windy	Use when less windy or with our wind guard (See page 23, Figure 12.1)
<b>Low flame when turned to High</b>	Improper lighting procedure	Portable fire pit valve must be OFF when tank is turned ON. Turn tank ON slowly to allow pressure to equalize, then turn ON fire pit
	Lack of gas	Check gas level of LP tank
	Supply hose is pinched	Reposition supply hose as necessary
<b>Flame is creating large amount of soot</b>	Venturi holes are blocked with debris-grass, dirt, etc.	Thoroughly clean orifice - (Section 10)
<b>Noise when lit</b>	Propane (LP) - Humming regulator	Not a defect - normal occurrence on hot days due to internal vibrations in regulator

Table 11.1 – Troubleshooting

## 11 Compatible Accessories

---

- **RV Gas connections** – Hearth Products Controls has a quick disconnect gas line hose that will attach to any RV motor home.

For a complete list of accessories, visit [www.hpcfire.com](http://www.hpcfire.com)

## 12 Replacement Parts

---

Please contact your dealer for parts – if unsure please contact HPC or visit our website at [www.hpcfire.com](http://www.hpcfire.com) and we will be happy to help you

# 13 Warranty

---

## Warranty

Hearth Products Controls Co. (HPC) warrants fire pits against manufacturing defects that prevent safe and correct function as follows:

### 1) **Stainless Steel Fire Pit and Outdoor Fireplace Burners - Lifetime Warranty**

Limited Warranty:

2) Stainless Steel Pan: Commercial-1 year; Residential-5 years

Warranty commences from the date of original sale / shipment from HPC FOB Dayton, Ohio. This warranty is for parts and in-house (HPC) labor. The defective product must be sent back to HPC with a Return Merchandise Authorization (RMA) issued by HPC for that specific product and any other additional information for the nature of the defect or warranty claim. The warranty does not cover items that have been damaged by overheating, modification, abuse, or improper storage. Also, any labor involving installation or maintenance with the unit is not covered. This warranty excludes claims for consequential, indirect-collateral expenses arising from product defects or warranty recovery.

Rev.0 5/8/2019



**FIRE INSPIRED™**

**Hearth Products Controls**

**Fire-inspired since 1975.**

2225 Lyons Rd.  
Miamisburg, OH 45342

For detailed product information, go to [www.hpcfire.com](http://www.hpcfire.com)