

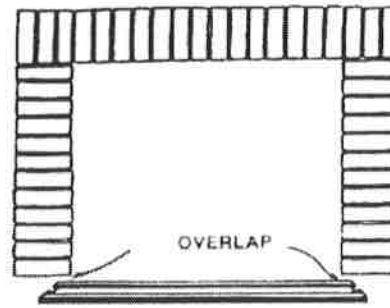
# HY-C Fireplace SmokeGuard - Assembly Instructions

Measure the width of the fireplace opening, if it is less than 28 1/2" or greater than 48", this product will not work.

**Tools Required :** Standard Screwdriver - Medium Size

**Parts Enclosed :** 1 - SmokeGuard Housing - (a)  
 ( 2 ends and 1 center section)  
 2 - 12" x 3/4" Tube - (b)  
 1 - 27" x 1/2" Tubes - (c)  
 1 - Spring - (d)  
 1 - 1/2" Coupler - (e)  
 1 - 3/4" Coupler - (f)  
 1 - Strip of Insullation - (g)  
 1 - Tube of Silicone Sealant - (h)

**Step 1.**



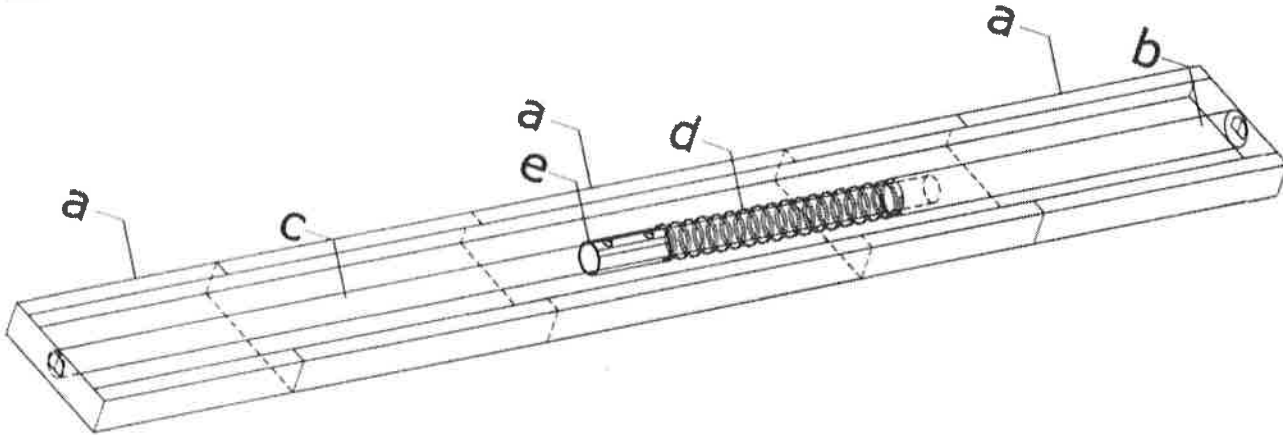
**Step 2.**

**a.** If the fireplace opening is between 28 1/2" and 33", use Assembly Option "2a"

**b.** If the fireplace opening is between 33" and 48", use Assembly Option "2b"

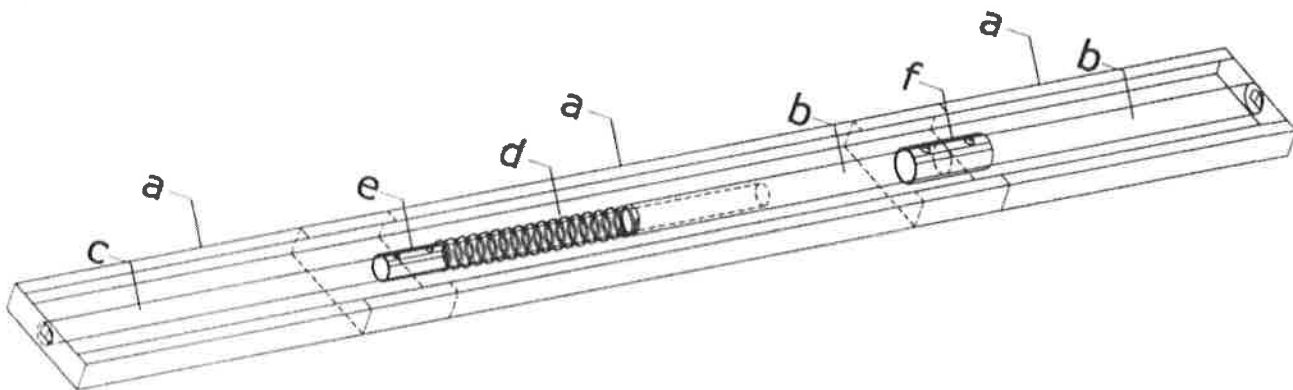
Place the SmokeGuard Housing facedown on the hearth in front of the fireplace opening. Adjust the two end pieces evenly until the SmokeGuard is centered in front of the fireplace opening with 1 - 1/2" overlap at each end.

**Option 2a.**



**# 1.** Place one of the 12" x 3/4" tubes (b) inside of the SmokeGuard against the right end piece, covering the tab in the end piece to keep it centered, (the other 12" x 3/4" tube is not needed). **# 2.** Slide the 27" x 1/2" tube (c) inside the open end of the 12" x 3/4" (b) from Step 1. Slide the spring (d) over the 27" x 1/2" tube (c) until it rest against the 12" x 3/4" tube (b). Slide the 1/2" coupler (e) over the 27" x 1/2" tube (c) until it rest against the spring (d) **Do Not Tighten** the 1/2" coupler (e) screws at this time. **# 3.** Extend the 27" x 1/2" tube (c) from the 12" x 3/4" tube (b) until it rest against the left end piece, covering the tab in the left end piece to keep it centered. Readjust the spring (d) and the 1/2" coupler (e) to make sure they are snug against the 12" x 3/4" tube (b). Tighten the 1/2" coupler (e) to hold the spring (d) firmly in place. You are now ready to install the SmokeGuard, see back of this sheet.

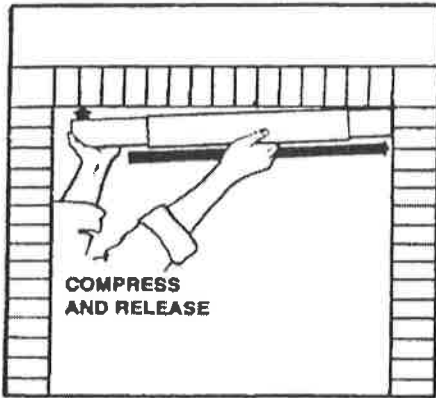
**Option 2b.**



**# 1.** Place one of the 12" x 3/4" tubes (b) inside one end of the 3/4" coupler (f), place the other 12" x 3/4" tube (b) inside the other end of the 3/4" coupler (f). Make sure both tubes are inserted fully, then tighted the screws on the 3/4" coupler (f). **# 2.** Place the extended 3/4" tube assembly from Step 1, against the right end piece, covering the tab in the end piece to keep it centered. **# 3.** Refer to Steps 2 & 3 in Option "A" to complete the assembly of the SmokeGuard. You are now ready to install the SmokeGuard, see back of this sheet.

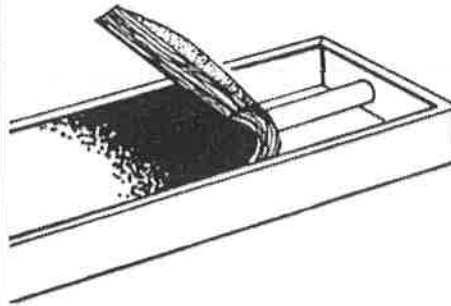
# HY-C Fireplace SmokeGuard - Installation Instructions

Step 3.



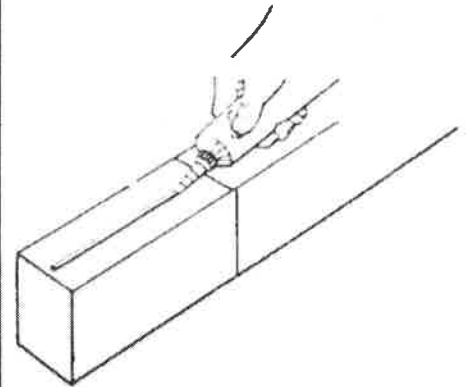
Install the SmokeGuard across the top of the fireplace by compressing the SmokeGuard assembly (like a tension rod for a shower curtain) and releasing it into position to check for proper tension. The unit should fit snugly into the opening. To adjust the tension, loosen the 1/2" coupler (e) and extend the length of the unit to make it tighter or reduce the length to loosen the tension.

Step 4.



After the proper tension setting has been determined, remove the SmokeGuard from opening and place the strip of insulation (g) into the back of the SmokeGuard assembly covering the spring (d) and the couplers (e/f).

Step 5.



Just prior to final installation, apply a small 1/4" bead of silicone sealant (h) to the entire length of the top surface. For best results, keep the bead centered. **Note :** If you are installing a Brass SmokeGuard, make certain that you remove the plastic protective coating before applying the silicone sealant.

## Other HY-C Product Lines

**Chimney Caps,  
Fireplace Grates,  
Stoveboards &  
Firewood Storage  
Racks**

For more Information on the HY-C Company, Contact our Customer Service Department

## HY-C Company, Inc.

2107 North 14th Street  
St. Louis, MO 63106

Phone : 314-241-1214 Fax : 314-241-2277

e-mail : [sales@hy-c.com](mailto:sales@hy-c.com)

web Page : [www.hyccompany.com](http://www.hyccompany.com)