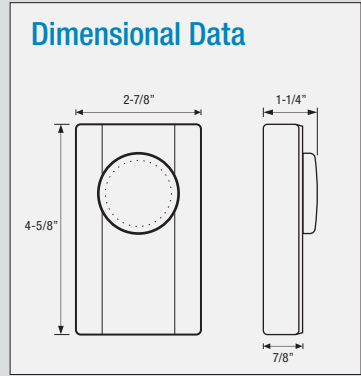


Line Voltage Cooling Thermostat K101-C



BasicComfort



- For line voltage cooling applications
- Clean, beveled style suits any decor
- Sits flush against wall
- Includes °C and °F control dials
- Bi-metal sensing element
- Mounts directly to a 2x4 inch vertical electrical outlet box
- Fully vented cover allows air sensing in all directions
- Large knob allows easy adjustment to all temperatures
- Single Pole, Operates 41° - 90° F (3° - 32°C)
- No ground wire design

The K101-C Cooling Thermostat

The K101-C cooling thermostat has a larger, more sensitive, bi-metal sensor that improves temperature accuracy to $\pm 3^\circ$ F. This feature achieves a better comfort level with a reduced temperature swing as compared to economy models. Modern appearance with large knob for easy adjustments. No ground wire, making installation fast and easy. For cooling only.

Ordering Information

MODEL	UPC	DESCRIPTION
K101-C	20631	Single Pole - WHITE, Cooling Only

Specifications

Temperature Range: 41° F-90° F (5° C- 32° C)

Accuracy: $\pm 3^\circ$ F (1.6°C)

Max Power: 2640W@ 120VAC (22A)

Max Power: 4576W@208VAC (22A)

Max Power: 5280W@ 240VAC (22A)

Max Power: 4986W@ 277VAC (22A)

Sensing Element: Bi-metal

Certification:

Installation

Single Pole wiring
K101-C

