



# FDV350

DIRECT VENT FREESTANDING GAS STOVE



THE ULTIMATE IN DESIGN, ENGINEERING & QUALITY

Model FDV350N Direct Vent Natural Gas Stove, F35DB Black Door Frame with Ceramic Glass, LOGF35 Fibre Oak Log Set with embers.



2340 Logan Avenue  
 Winnipeg, Manitoba, Canada R2R 2V3  
 Phone: (204) 632-1962 Fax: (204) 632-1960  
[www.kingsmanfireplaces.com](http://www.kingsmanfireplaces.com)

|                      |                      |                        |
|----------------------|----------------------|------------------------|
| <b>Model</b>         | FDV350N<br>FDV350NE2 | FDV350LP<br>FDV350LPE2 |
| <b>Fuel</b>          | Natural Gas          | Propane                |
| <b>Input Max</b>     | 37,000 BTU           | 35,000 BTU             |
| <b>Input Min.</b>    | 29,000 BTU           | 27,000 BTU             |
| <b>FE (P.4.1-15)</b> | 66.63% / 67.90%      | 67.64% / 70.10%        |

**Direct Vent Freestanding Stove; a Safe and Efficient Heating Appliance with the Convenience of Gas. Your best choice for installation anywhere throughout your home.**

## STANDARD FEATURES

- Millivolt Valve with Hi-Low heat and flame adjustment and allows operation during a power failure
- Proflame II (PF2) Models include Remote Control – Features flame, fan, thermostat, smart thermostat and battery backup
- Dual burner system, with realistic flame pattern
- Heat radiating ceramic glass with panoramic view from three sides
- Mobile home approved
- Approved for installation in a bedroom or bed sitting room
- Black Louver
- Fibre Oak Log Set with Embers\*

## OPTIONAL FEATURES

### Fan Kit

Heat activated with variable speed control

### Brick Refractory Liner

Traditional Brick



### Thermostat

Wall Mount Millivolt Thermostat or Programmable Thermostat

### Remote Control (Millivolt)

On/Off, Thermostat On/Off, Thermostat On/Off modulating,

### B-Vent Adapter (Convert Stove to 4" B-Vent)



## MINIMUM CLEARANCES TO COMBUSTIBLES

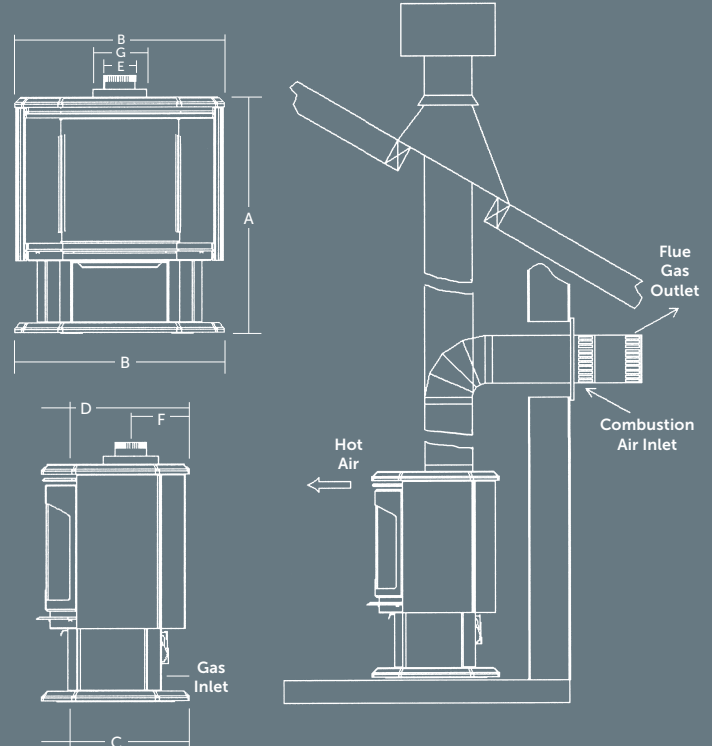
- 12" from side of unit
- 3" from back of unit
- 3" from side of unit in corner

## ALCOVE INSTALLATION

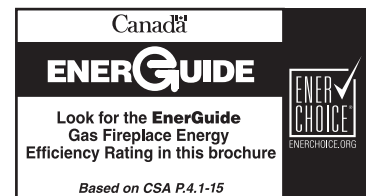
- 30" depth (max.)
- 55½" height (max.)
- 52½" width (max.)

## DIMENSIONS AND SIZING

|   |          |  |
|---|----------|--|
| A | 30 3/8"  | With a direct vent appliance you can vent either through the side wall above the unit or straight up through the roof. |
| B | 27 5/16" |  |
| C | 19 1/16" |  |
| D | 19 1/16" |  |
| E | 4" dia.  |  |
| F | 7 1/2"   |  |
| G | 7" dia.  |  |



Safety Screen Barrier



**WARNING!** FOR CALIFORNIA RESIDENTS ONLY: This product can expose you to chemicals including Carbon Monoxide, that is an externally vented by-product of fuel consumption, which is [are] known to the State of California to cause birth defects or other reproductive harm. For more information, visit [www.P65Warnings.ca.gov](http://www.P65Warnings.ca.gov).



\*Components may have to be ordered separately to create a complete unit. Discuss with your local Kingsman dealer for clarification. Kingsman Fireplaces maintains a program of continuous testing, refinement and improvements of all its products. Some aspect of units shown here may be changed at any time without notice or obligation. Certified for USA and Canada to: ANSI Z21.88-2017 / CSA 2.33-2017, CSA 2.17-2017 as a Vented Gas Fireplace Heater.



CRAFTED ENTIRELY IN CANADA, EACH KINGSMAN FIREPLACE IS BUILT TO THE HIGHEST STANDARDS AND MADE TO LAST.

Printed in Canada  
10/2020 – B030