



OUTDOOR FIRE PIT MANUAL

MODELS FP2085 ROUND FIRE PIT, FP2785 RECTANGULAR FIRE PIT
CERTIFIED FOR USA & CANADA

Owner's Operation and Installation Manual

STANDARDS: CR97-003, ANSI Z21.97-2010
OUTDOOR DECORATIVE GAS APPLIANCES

INSTALLER: Leave this manual with the appliance.

CONSUMER: Retain this manual for future reference.



⚠ DANGER

If you smell gas:

1. Shut off gas to the appliance.
2. Extinguish any open flame.
3. If odor continues, keep away from the appliance and immediately call your gas supplier or fire department.

⚠ WARNING

Do not store or use gasoline or other flammable vapors and liquids in the vicinity of this or any other appliance.

An LP-cylinder not connected for use shall not be stored in the vicinity of this or any other appliance.

⚠ WARNING

For Outdoor Use Only.

⚠ WARNING

Improper installation, adjustment, alteration, service or maintenance can cause injury or property damage.

Read the installation, operating and maintenance instructions thoroughly before installing or servicing this equipment.

⚠ DANGER



CARBON MONOXIDE HAZARD

This appliance can produce carbon monoxide which has no odor.

Using it in an enclosed space can kill you.

Never use this appliance in an enclosed space such as a camper, tent, car or home.

This appliance is designed as an "attended appliance". Adults must be present when the unit is operating. **DO NOT** leave this unit burning when unattended. If this product is left burning unattended it may cause damage or serious injury.

Product Maintenance For Your Canvas Fire Pit Cover

Caring for your Fire Pit Cover

The key to keeping your outdoor fabric looking great and extending its life is periodic cleaning followed by repellency treatment. Mildew can be a problem for any outdoor fabric. Mildew will not grow on a clean synthetic fabric. Combined with humidity, the dirt and debris, which accumulate on and in the fabric, create the ideal conditions for mildew propagation. Thus keeping outdoor fabric both clean and dry is essential to eliminate or minimize mildew growth.

- * Brush surfaces with soft brush to remove soil.
- * Soak with warm, soapy water (not to exceed 100 degrees Fahrenheit).
- * Use a mild soap such as Ivory, or Dawn. Do not use detergents, abrasives or cleaners.
- * Rinse fabric thoroughly after cleaning.
- * Let fabric air dry after rinsing
- * Do not machine dry.

Treating your Fabric

- * Before "retreating" or "protecting" a fabric, the fabric must be thoroughly cleaned. Fabric protector products bond most effectively to perfectly clean fabric. Anything not removed from the fabric will interfere with the bonding and performance of the product. All dirt, body oils, sweat, soap residue will impede bonding and performance.
- * Do not over spray. Saturation is not necessary. The surface needs to be slightly damp, but not soaked. Two lighter coats are better than one heavy coat. An even coating is more likely with two applications. Let the first coating dry to the touch before applying the second - generally an hour.
- * The quicker you can get a fabric protector product to dry, the better bonding and performance you will achieve. It is best to treat the fabrics in warm weather, such as a hot day in full sun.
- * Maintenance is essential. You can lightly mist the surface every 6 months to check the water repellency. Friction will wear away product more quickly leaving the fabric unprotected. If this is the case, such areas can be spot treated to renew repellency.
- * Just a note - Silicone water repellents are not true "fabric protectors". While they do develop good repellency, they often retain a tackiness that attracts dirt. Silicone treated fabrics soil much more rapidly than untreated fabrics, have no resistance to oil based stains, and can make fabrics more difficult to clean once soiled.

Fabric Guard

Recommended as the best fabric protectant 303® High Tech Fabric Guard™ is a premium patented formula that restores fabrics lost water and stain repellency. Yearly maintenance with 303 Products will add to the life of your fabrics



Stainless Steel Parts And Accessories

NOTE: The protective wrap on stainless steel parts is best removed at room temperature. A hair dryer may be helpful.

Cleaning Stainless Steel

Stainless steel tends to oxidize or stain in the presence of chlorides and sulfides, particularly in coastal areas and other harsh environments, such as the warm, highly humid atmosphere around pools and hot tubs. These stains could be perceived as rust, but can be easily removed or prevented. To provide stain prevention and removal, wash all stainless steel surfaces every 3-4 weeks or as often as required with fresh water and/or stainless steel cleaner.

Notes on Cleaning Stainless Steel Surfaces: Do not use abrasive cleaners or steel wool on any painted, or stainless steel parts. Doing so will scratch the finish. Exterior surfaces should be cleaned with warm soapy water. Use a stainless steel or a non-abrasive cleaner. Always wipe in the direction of the grain.

Over time, stainless steel parts discolor when heated, usually to a golden or brown hue. This discoloration is normal and does not affect the performance of the appliance.

Table of Contents

Product Maintenance For Your Canvas Fire Pit Cover / Stainless Steel Parts And Accessories.....	2
Table Of Contents.....	3
Introduction.....	4
Assembly And Installation.....	5
Gas Specifications.....	6
Installation In Combustible Enclosure.....	7
Installing Rectangle Fire Pit Into A Wood Enclosure.....	8
Installing Wall Clearance Shield.....	9
FP2085 Fire Pit Assembly.....	10
FP2785 Burner Assembly.....	11
Log Placement Instructions.....	12
Accessories For Your Fire Pit.....	13
30FPB-KWK Decorative Key Way Valve Kit.....	14
Kingsman Outdoor Fire Pit Media Section.....	15-16
Operating Instructions.....	17
Maintenance Instructions.....	17
High Elevation Installation.....	17
Safety Information And Lighting Instructions.....	18
FP2085/FP2785 Parts List.....	19
Kingsman Fireplaces Gas Fire Pit – Limited Warranty.....	20

INTRODUCTION

Models FP2085/FP2785 are Decorative Gas Log Set for outdoor use only. This appliance **MUST NOT** be used for cooking.

WARNING: This appliance shall be used ONLY outdoors in a well-ventilated space and shall **NOT** be used inside a building, garage, or any other enclosed area.

WARNING: This log set must **NOT** be installed in an unvented appliance.

WARNING: THIS UNIT IS NOT FOR USE WITH SOLID FUEL.

The installation must conform with Local codes or in the absence of local codes, with the National Fuel Gas Code ANSI Z223.1 or CAN/CGA-B149.1, National Gas Installation Code or CAN/CGA-B149.2, Propane installation Code.

The appliance and its individual shut off valve must be disconnected from the gas supply piping system during any pressure testing of the system at test pressures in excess of 1/2 psig (3.5kPa).

This appliance must be isolated from the gas supply piping system by closing its individual manual shut off valve during any pressure testing of the gas supply piping system at test pressures equal to or less than 1/2 psig (3.5kPa).

For the state of Massachusetts a **T-handle gas shut-off valve** must be used on a gas appliance. This T-handle gas shut-off valve must be listed and approved by the state of Massachusetts. This is in reference to the state of Massachusetts state code CMR238.

The following clearances to combustible construction must be maintained: Bottom - 0 inches Sides (all around)-24 inches (610 mm), and Top-7 feet (2.12 m).

Always keep the appliance area clear and free from combustible materials, gasoline, and other flammable vapors and liquids.

Do not locate appliance where it can get excessively wet.

Do not use this appliance if any part has been under water. Immediately call a qualified service technician to inspect the unit and to replace any part of the control system and any gas control which has been underwater.

When an appliance is for connection to a fixed piping system, the installation must conform with local codes, or in the absence of local codes with the *National Fuel Gas Code, ANSI Z223.1/NFPA 54, or International Fuel Gas Code.*

For appliances for fixed fuel piping system and equipped with an appliance gas pressure regulator, the appliance and its individual shutoff valve must be disconnected from the gas supply piping system during any pressure testing of that system at test pressures in excess of 1/2 psi (3.5 kPa).

- Children and adults should be alerted to the hazards of high surface temperatures and should stay away to avoid burns or clothing ignition.
- Young children should be carefully supervised when they are in the area of the appliance.
- Clothing or other flammable materials should not be hung from the appliance, or placed on or near the appliance.
- Any guard or other protective device removed for servicing the appliance must be replaced prior to operating the appliance.
- Installation and repair should be done by a qualified service person. The appliance should be inspected before use and at least annually by a qualified service person. More frequent cleaning may be required as necessary. It is imperative the control compartment, burners and circulating air passageways of the appliance be kept clean.
- Inspect the fuel supply connection (including the hose for LP models) before each use of the appliance.
- If it is evident there is excessive abrasion or wear, or the hose is cut, it must be replaced prior to the appliance being put into operation.
- Cylinders must be stored outdoors in a well ventilated area out of the reach of children. Disconnected cylinders must have threaded valve plugs tightly installed and must not be stored in a building, garage or any other enclosed area.
- Storage of this appliance indoors is permissible only if it has been disconnected from its fuel supply (natural gas line or LP gas cylinder).

LP GAS WARNINGS

- The LP gas supply cylinder used with LP models must be constructed and marked in accordance with the specifications for LP-gas cylinders of the U.S. Department of Transportation (DOT).
- The pressure regulator and hose assembly supplied with LP models must be used. Replacement pressure regulators and hose assemblies must be those specified in this manual.
- The LP gas cylinder supply system must be arranged for vapor withdraws.
- The LP -gas cylinder used must include a collar to protect the cylinder valve.
- When an LP model is not in use, the LP-gas must be turned off at the supply cylinder.
- Fuel Supply line must not come into contact with surfaces having temperatures in excess of 140°F. LP gas cylinder must be kept a minimum of 4.5 feet from the appliance.
- You must use an approved LP cylinder retention device (See Gas Specifications for an example).

ASSEMBLY AND INSTALLATION

The log set (LOGC85) and the burner assembly are shipped separately.

- A. Remove the gas log set and burner assembly and check for damage. DO NOT install damaged components. The logs are fragile use care when handling.
- B. Place the burner assembly on a flat, stable surface in an outdoor location such as a patio or a deck. This location must be adjacent to the gas supply line (natural gas) or LP-gas supply cylinder. NOTE: Minimum clearances to combustible construction must be maintained.

Remember, you must have easy access to the gas valve control knob AFTER the appliance is installed and connected to the gas supply.

THE ON/OFF GAS VALVE IS USED TO TURN THE BURNER ON AND OFF.

- C. NATURAL GAS MODELS: Connect the incoming gas supply line to the on/off gas valve of the appliance (Figure 1). Make certain ALL gas connections are tight, turn the on/off valve at the unit slowly to the on position and use soap water to test for leaks. DO NOT USE AN OPEN FLAME.

LP-GAS MODELS:

1. Make sure tank valve is in its full off position. (Turn clockwise to stop).
2. Check tank valve features to ensure it has proper external mating threads. (Tank Valve Marked: USE WITH TYPE 1)
3. Inspect hose shipped with the unit for damage. Never attempt to use damaged or plugged equipment. See your local LP Gas Dealer for repairs.
4. After inspecting the LP hose shipped with the unit, connect the end with the female fitting on the hose to the male fitting on the on/off gas valve at the end of the flex tube and make sure it is tight.

NOTE: Fuel Supply line must not come into contact with surfaces having temperatures in excess of 140°F. LP gas cylinder must be kept a minimum of 4.5 feet from the appliance. You must use an approved LP cylinder retention device (See Gas Specifications for an example).

5. When connecting regulator assembly to the tank valve, hand tighten nut clockwise to a positive stop. DO NOT use a wrench to tighten. Use of a wrench may damage quick closing coupling nut and result in a hazardous condition.
6. Locate the hose out of pathways where people may trip over it or in areas where the hose may be subject to accidental damage.

7. Open tank valve fully (counter-clockwise). Turn the on/off valve at the unit slowly to the on position and use a soapy water solution to check all connections for leaks before attempting to light the appliance. If a leak is found, turn tank valve off and do not use the appliance until repairs can be made by a local LP Gas Dealer. DO NOT attempt to make repairs yourself.
8. Never attempt to use this appliance or any components that have been damaged or exposed to an accidental fire.

ENCLOSURES FOR SELF-CONTAINED LP-GAS SUPPLY SYSTEMS

If you build an enclosure for an LP gas cylinder you must follow these specifications. You must also follow local codes.

An enclosure for an LP-gas cylinder shall be ventilated by openings at both the upper and lower levels of the enclosure. This shall be accompanied by one of the following:

- a. One side of the enclosure shall be completely open; or
- b. For an enclosure having four sides, a top, and a bottom:

1. At least two ventilation openings shall be provided in the sidewalls of the enclosure, located within 5 in (127 mm) of the top of the enclosure, equally sized, spaced at a minimum of 90 degrees (1.57 rad), and unobstructed. The opening(s) shall have a total free area of not less than 1 in²C1b (14.2 cm²Ckg) of stored fuel capacity.

2. Ventilation opening(s) shall be provided at floor level of the enclosure and shall have a total free area of not less than 1/2 in²C1b (7.1 cm²Ckg) of stored fuel capacity. If ventilation openings at floor level are in a side wall, there shall be at least two openings. The bottom of the openings shall be 1 in (25.4 mm) or less from the floor level and the upper edge no more than 5 in (127 mm) above the floor level. The openings shall be equally sized, spaced at a minimum of 90 degrees (1.57 rad), and unobstructed.

3. Every opening shall have minimum dimensions so as to permit the entrance of a 1/8 in (3.2 mm) diameter rod.

4. Ventilation openings in sidewalls shall not communicate directly with other enclosures of the appliance.

The cylinder valve shall be readily accessible for hand operation. A door on the enclosure to gain access to the cylinder valves is acceptable, provided it is non-locking and can be opened without the use of tools. Designs using a cover to gain access to the cylinder and cylinder valve shall be provided with handles or equivalent at a minimum of 180 degrees apart to facilitate lifting of the cover.

The enclosure for the LP-gas cylinder shall isolate the cylinder from the burner compartment to provide:

- a. Shielding from radiation;
- b. A flame barrier; and
- c. Protection from foreign material.

There shall be a minimum clearance of 2 in (50.8 mm) between the floor of the non-disposable LP-gas cylinder enclosure and the ground.

The design of the appliance shall be such that:

- a. A non-disposable LP-gas cylinder can be connected, disconnected, and the connections inspected and tested outside the cylinder enclosure; and
- b. Those connections which could be disturbed when installing the cylinder in the enclosure can be leak tested inside the enclosure.

!WARNING:
DO NOT LEAVE
FIRE PIT UNATTENDED
WHEN IN USE

Be certain to mount or set the LP-gas cylinder on a flat stable surface and retain it to prevent it from tipping.

Purge the gas supply line of any trapped air prior to the first firing of the unit.

WARNING: During the initial purging and subsequent lightings, NEVER allow gas valve to remain in "OPEN" position without first placing a burning match on the top of the burner.

Place the logs on the burner assembly. See log placement instructions.

Test fire the unit after referring to the SAFETY INFORMATION and LIGHTING INSTRUCTIONS.

If LP-Gas outdoor firepits are used continuously after a couple of hours, you could see the possibility of the flame decreasing in size. If this happens, turn off the control valve and the tank valve and wait a couple of hours before lighting again or switch propane tanks. The propane tank is freezing up due to the volume of gas being taken out of the tank.

GAS SPECIFICATIONS

	FP2085N	FP2085LP
	FP2785N	FP2785LP
Fuel	Natural Gas	Liquid Propane
Maximum Supply Pressure	10 IN. W.C./2.47 KPa	13 IN. W.C./3.24 KPa
Btu's	65,000	65,000



The above photo shows an example of an approved LP cylinder retention device.

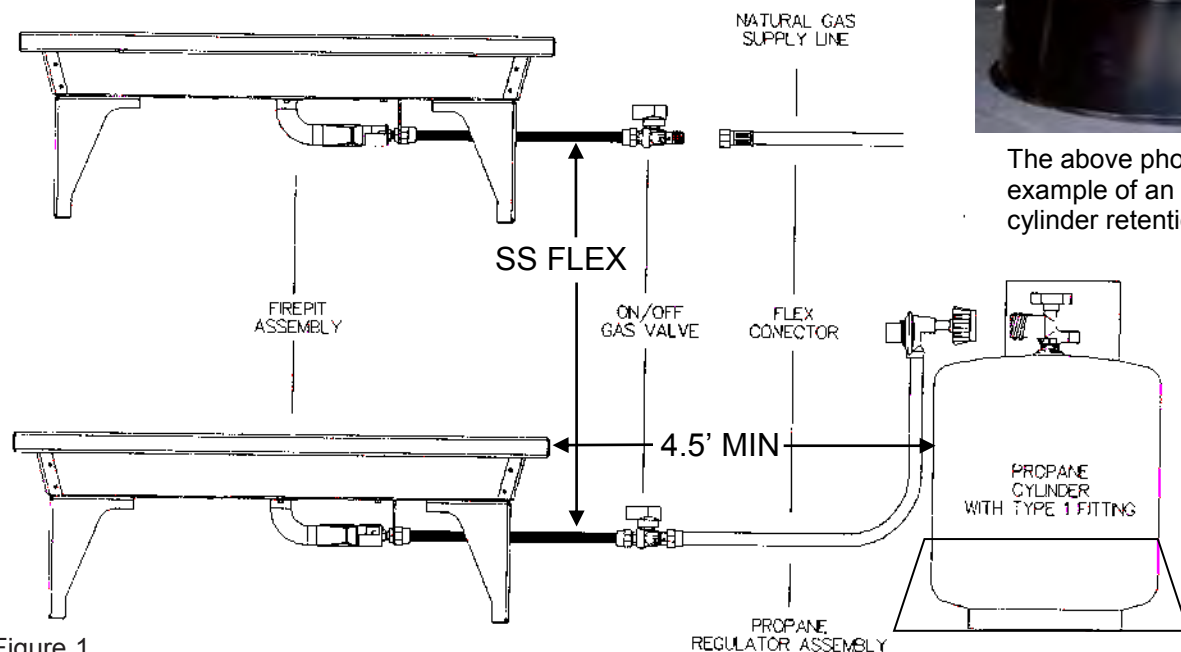


Figure 1

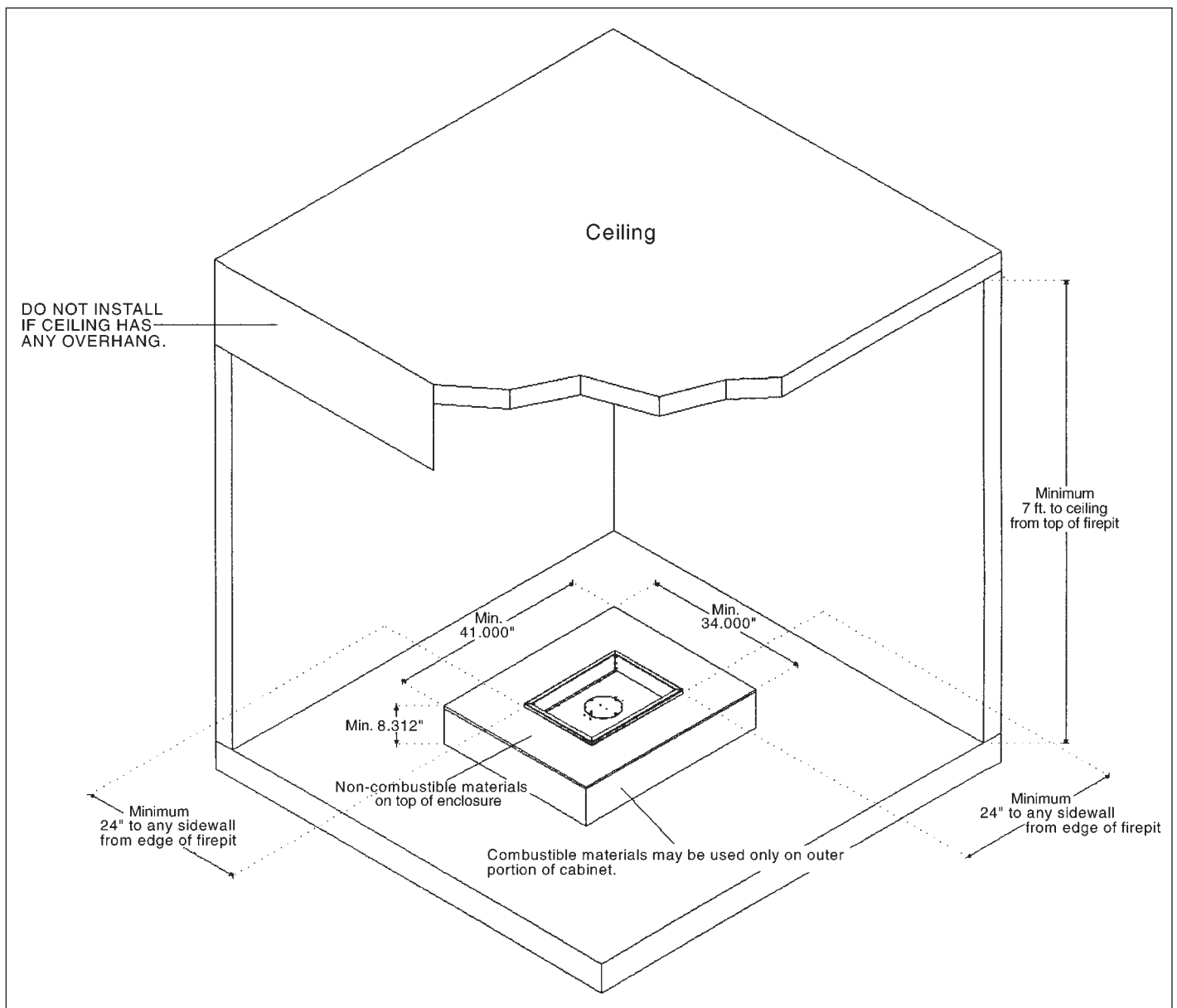
INSTALLATION IN COMBUSTIBLE ENCLOSURE

CLEARANCES FOR ROUND FIREPIT (FP2085)

1. The round firepit (FP2085) cannot be built into a combustible cabinet of any type. Only non-combustible materials may be placed around firepit. (eg. bricks, concrete, river rock, etc.)
2. Clearance to combustible side wall is 24" minimum. Non-combustible walls 14" to side wall.
3. Minimum clearance to any ceiling with no overhang is to be 7 feet from top of firepit.
4. Clearance to a combustible floor is 0".

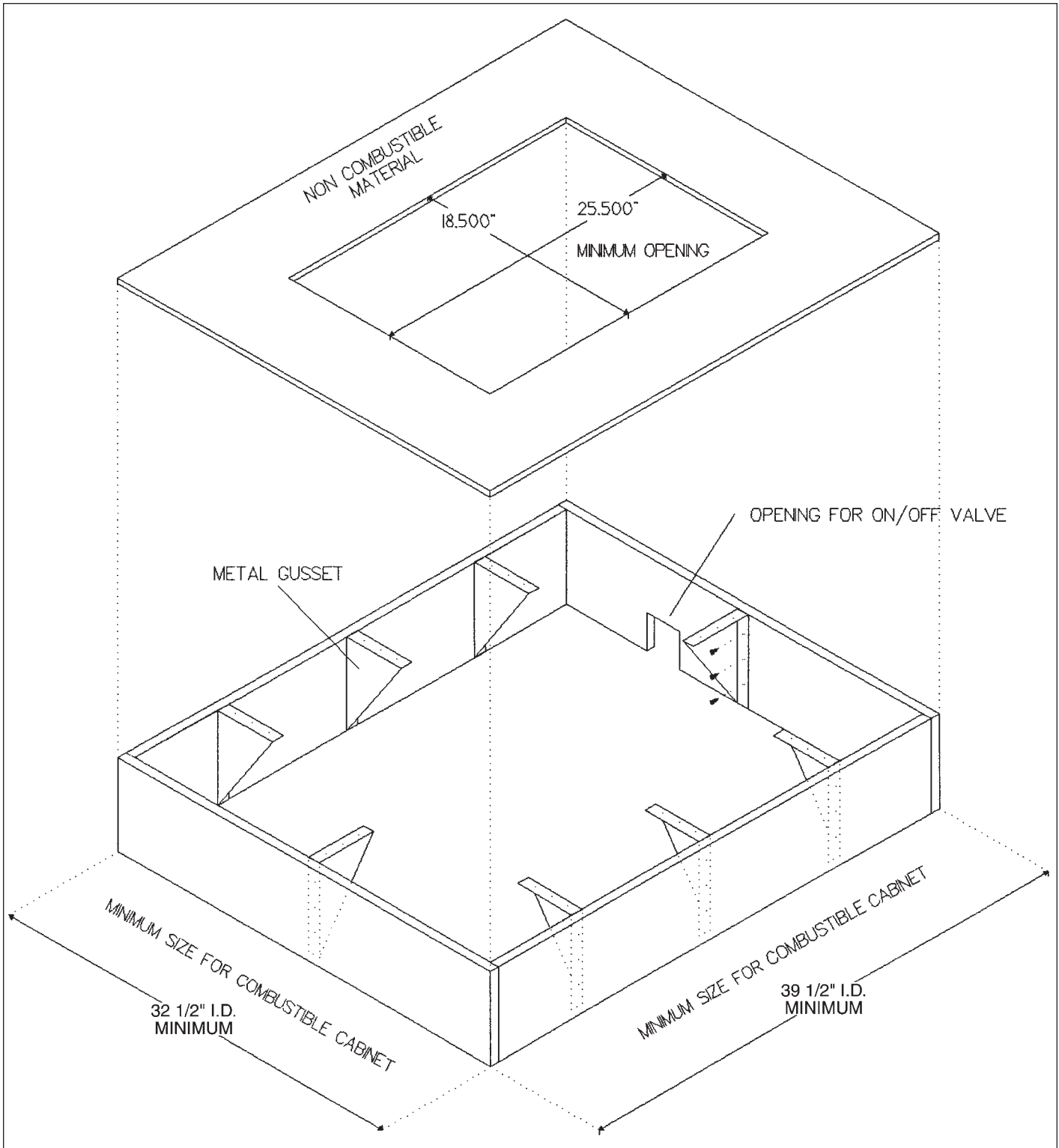
CLEARANCES FOR RECTANGLE FIREPIT (FP2785)

1. The rectangle firepit (FP2785) may be built into a combustible enclosure. You must maintain minimum enclosure dimensions of 32¹/₂" x 39¹/₂" I.D. The top of enclosure must be of a non-combustible material such as concrete board or wonder board.
2. Clearance to combustible side wall is 24" minimum. Non-combustible walls 14" to side wall.
3. Minimum clearance to any ceiling with no overhang is to be 7 feet from top of firepit.
4. Clearance to a combustible floor is 0".



INSTALLING RECTANGLE FIREPIT INTO A WOOD ENCLOSURE

1. Minimum size of wood enclosure must be no less than 32.5" I.D. x 39.5" I.D.
2. Non-combustible material (eg. Wonder Board) for the top of enclosure must be used, along with using metal gussets.
3. Non-combustible materials such as tile or brick may be used to finish on top of Wonder Board. Do not use any combustible materials to finish top, eg. wood or plastic products.
4. You must have an opening in the enclosure to have access to the on/off valve.



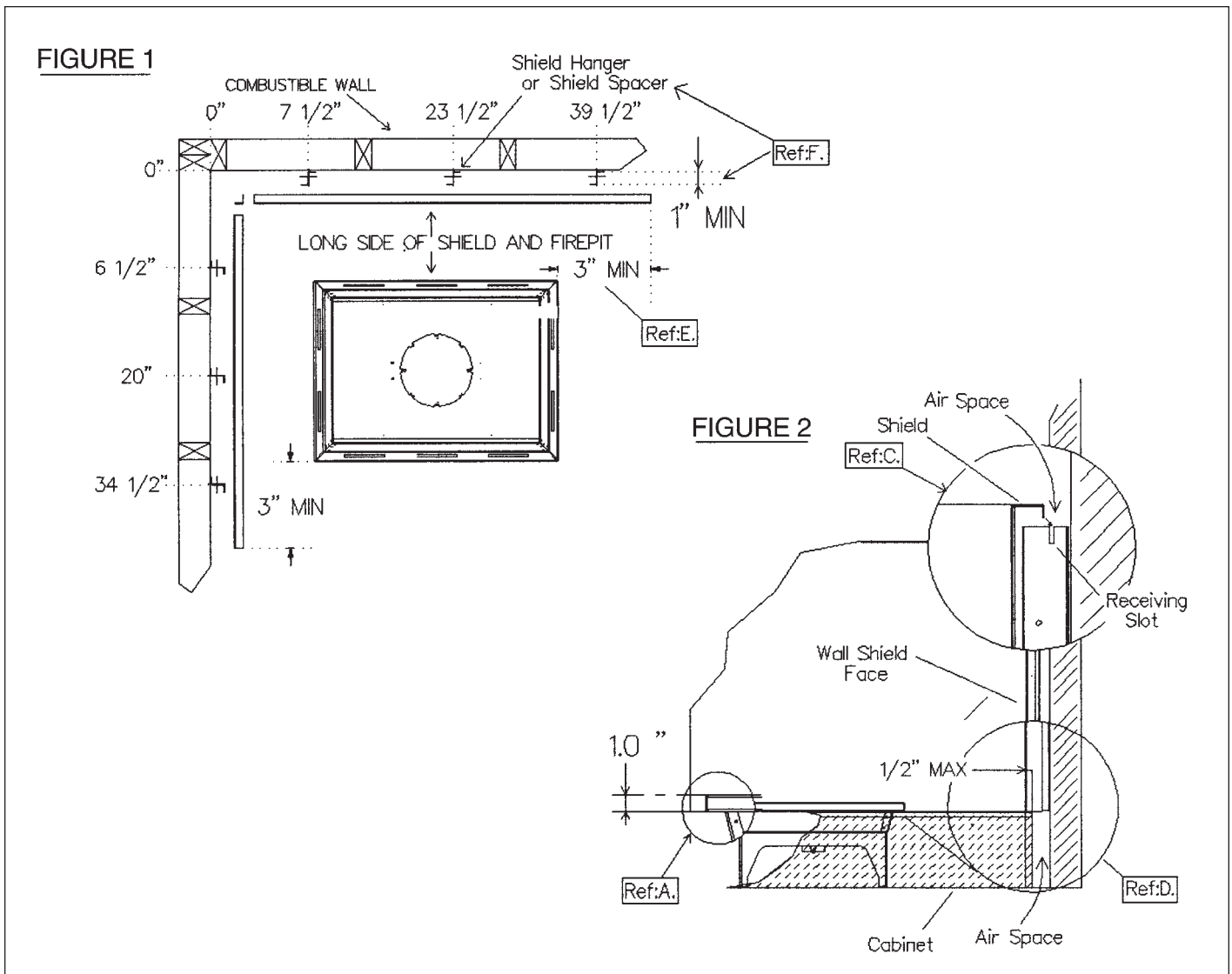
INSTALLING WALL CLEARANCE SHIELD

NON-COMBUSTIBLE CORNER CLEARANCE SHIELD

- Using a non-combustible material (eg. Wonder Board) cut two shields, 1 Large 44" x 30" min. and 1 Small 37" x 30" min.
- Mount six 1" non-combustible spacers to wall, this will maintain a 1" air space behind shields Fig:1Ref:F. Non-combustible spacer (eg. Metal Bracket, Wonder Board) should be no wider than 1" and 30" long.
- Screw non-combustible shield to spacer. Shield must be placed 1" below top of firepit Fig:2-Ref:D. Inside corners of shields should not touch combustible wall. Shield must extend 3" past end of firepit Fig:1-Ref:E.
- Note: Firepit cabinet or other structures must NOT obstruct wall shield air space on ends, top or bottom. If a cabinet is built around firepit, the end face of cabinet must not extend past bottom face of clearance shield by more than 1/2" Fig:2-Ref::D.

SINGLE CLEARANCE SHIELD

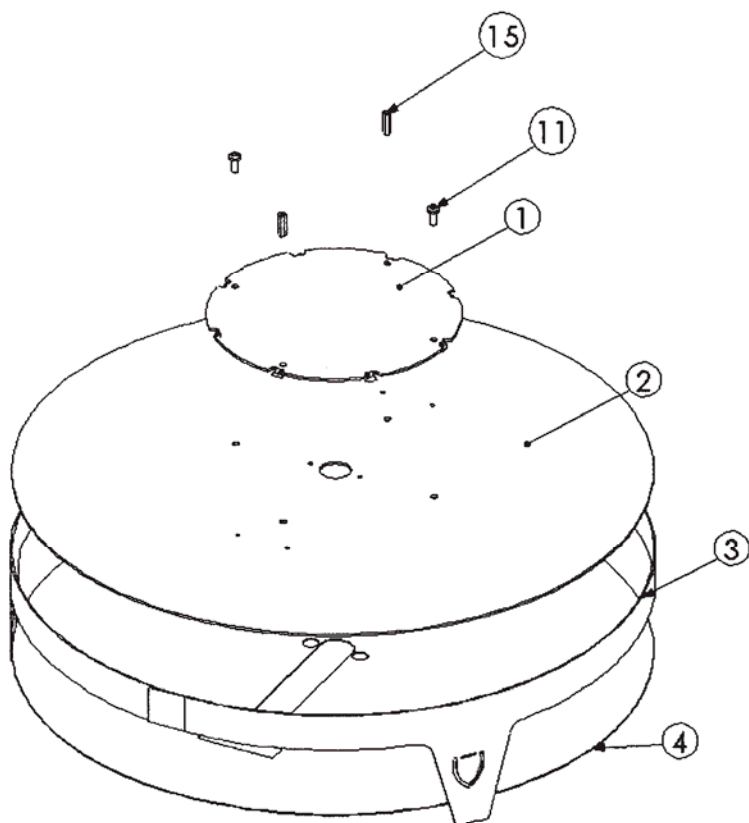
- Side of unit must be more than 24" from a combustible wall for a single shield to be used, and can have a distance of no less than 14" to a wall shield.
- All specifications as in corner installation must be used, including shield must extend a minimum of 3" past sides of firepit Fig:1-Ref:E.



FP2085 FIREPIT ASSEMBLY

Item No.	Qty.	Part No.	Description
1	1	27FP-106	Burner
2	1	20FP-102	Burner Pan
3	1	20FP-101	Frame
4	1	20FP-103	Heat Shield
5	1	27FP-115	Gasket
6	1	27FP-200	Mixing Tube Asm
	1	27FP-201	
	1	4000-208	
	1	Air Shutter	

Item No.	Qty.	Part No.	Description
7	1	1000-255	Orifice
8	1	125 x 375 Flare	
9	1	27FP-104	Orifice Retainer
10	2	8-32 x 1.00 Screw	
11	2	10-32 x .500 Screw	
12	2	10-32 Locknut	
13	2	8-18 x .312 TC Screw	
14	2	8-18 x .500 DT Screw	
15	2	8-32 Locator Pin	



#26 BRASS CAP ORIFICE

PRIMARY AIR 1/4"



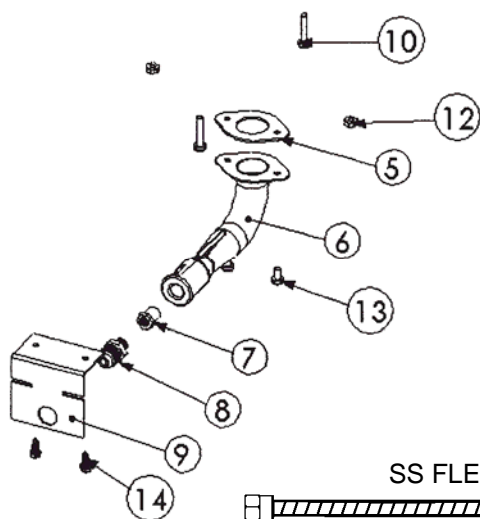
NATURAL GAS

#40 BRASS CAP ORIFICE

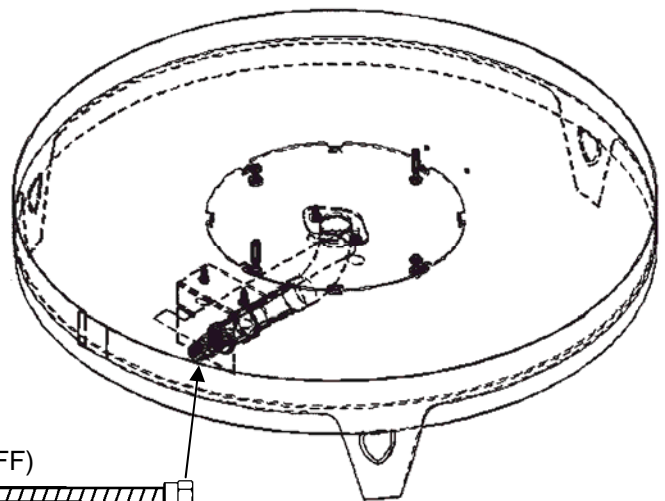
PRIMARY AIR FULL OPEN



PROPANE



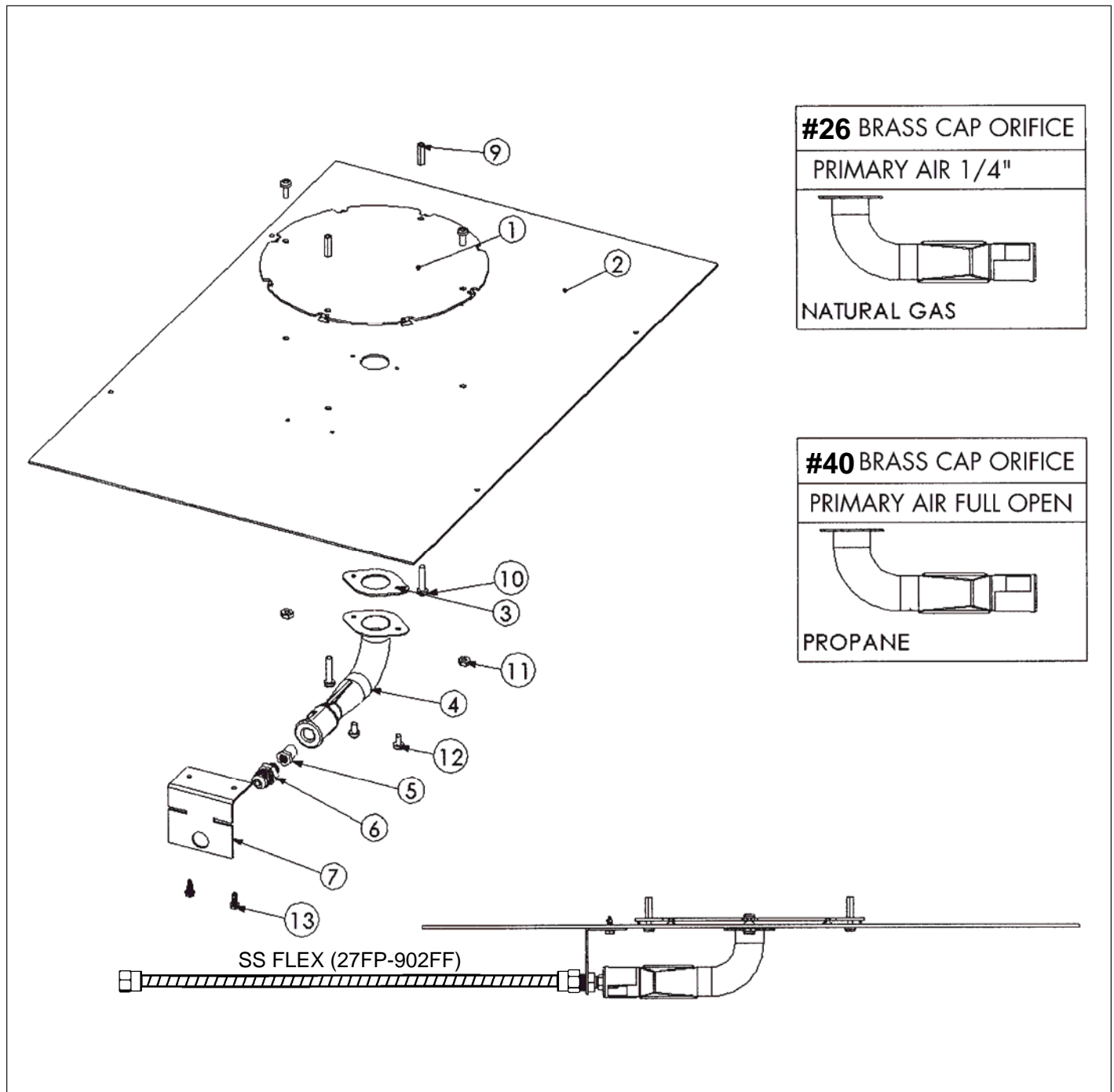
SS FLEX (27FP-902FF)



FP2785 BURNER ASSEMBLY

Item No.	Qty.	Part No.	Description
1	1	27FP-106	Burner
2	1	27FP-105	Burner Pan
3	1	27FP-115	Gasket
4	1	27FP-200	Mixing Tube Asm
	1	27FP-201	
	1	4000-208	
	1	Air Shutter	
5	1	1000-255	Orifice

Item No.	Qty.	Part No.	Description
6	1	125 x 375 Flare	
7	1	27FP-104	Orifice Retainer Brkt
8	2	10-32 x .500 Screw	
9	2	8-32 Locator Pin	
10	2	8-32 x 1.00 Screw	
11	2	10-32 Locknut	
12	2	8-18 x .312 TC Screw	
13	2	8-18 x .500 TC Screw	



LOG PLACEMENT INSTRUCTIONS

After setting up your model and hooking up the gas connection, make sure that logs are not broken. Identify the logs using the pictures below and place logs as indicated, lining up with mounting pegs in logs.

STEP 1



STEP 2



STEP 3



STEP 4



STEP 5



This picture depicts the typical flame pattern of this burner system.

Accessories For Your Fire Pit



Fire Pit Cover: 27FP-113A For FP2785
Rectangular Fire Pit
(SUPPLIED WITH UNIT)



Fire Pit Cover: FP20COV For
FP2085 Round Fire Pit



FP20SSR: Stainless Steel Ring
Align legs on FP20SSR with legs on
fire pit and place over outside of fire pit.

Non-Combustible Enclosures For Firepits

NOTE: Any non-combustible enclosure must have a minimum of [5] 1-1/2" holes for drainage.

Fire Pit Bowl for FP2085 Round Fire Pit:



KINGSMAN OUTDOOR FIRE BOWLS FOR THE 2085 FIRE PIT

Fire Bowl Includes:

- Key Way Valve and Connectors
- 1/4 Lava Rock (10 Lbs)
- Leg Extension & Filler Strip Ring
- SS Flex Connector
- Fire Pit not included

FPB30SG	Fire Bowl - Smooth Grey
FPB30TB	Fire Bowl - Textured Black
FPB30COVB	Cover for Fire Bowl - Charcoal

30FPB-KWK Decorative Key Way Valve Kit

This Valve Kit can be used when installing your Fire Pit In a non-Combustible enclosure.

**MUST BE INSTALLED BY A
QUALIFIED SERVICE
TECHNICIAN.**



30FPB-KWK

Decorative Key Way Valve Kit

This Valve Kit can be used when installing your Fire Pit in a Non-Combustible Enclosure.

⚠ WARNING

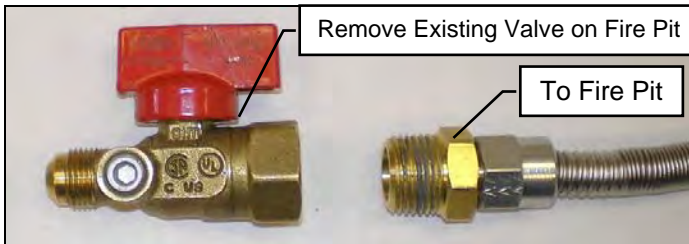
THE INSTALLATION OF THIS KIT MUST ONLY BE UNDERTAKEN BY A QUALIFIED AND CERTIFIED GAS APPLIANCE INSTALLER.

PARTS LIST:

1. 90° Ball Valve c/w Key Way Assembly (27FP-CPBVS)
2. 1/2" MPT x 1/8" FPT Bushing (30FPB-P110DA)
3. Tee 1/8" NPT (30FPB-P107A)
4. Hex Plug 1/8" MPT (30FPB-P118A)
5. Brass Connector 3/8" Tube OD x 1/8" MPT (27FP-P904FF)
6. Valve Mount Bracket (20FP-117)
7. Key Way Installation Tool (20FP-116)
8. SS Flex Connector (27FP-902FF)
9. 3/8" Tube OD Union Coupling (30FPB-P426)

PROCEDURE:

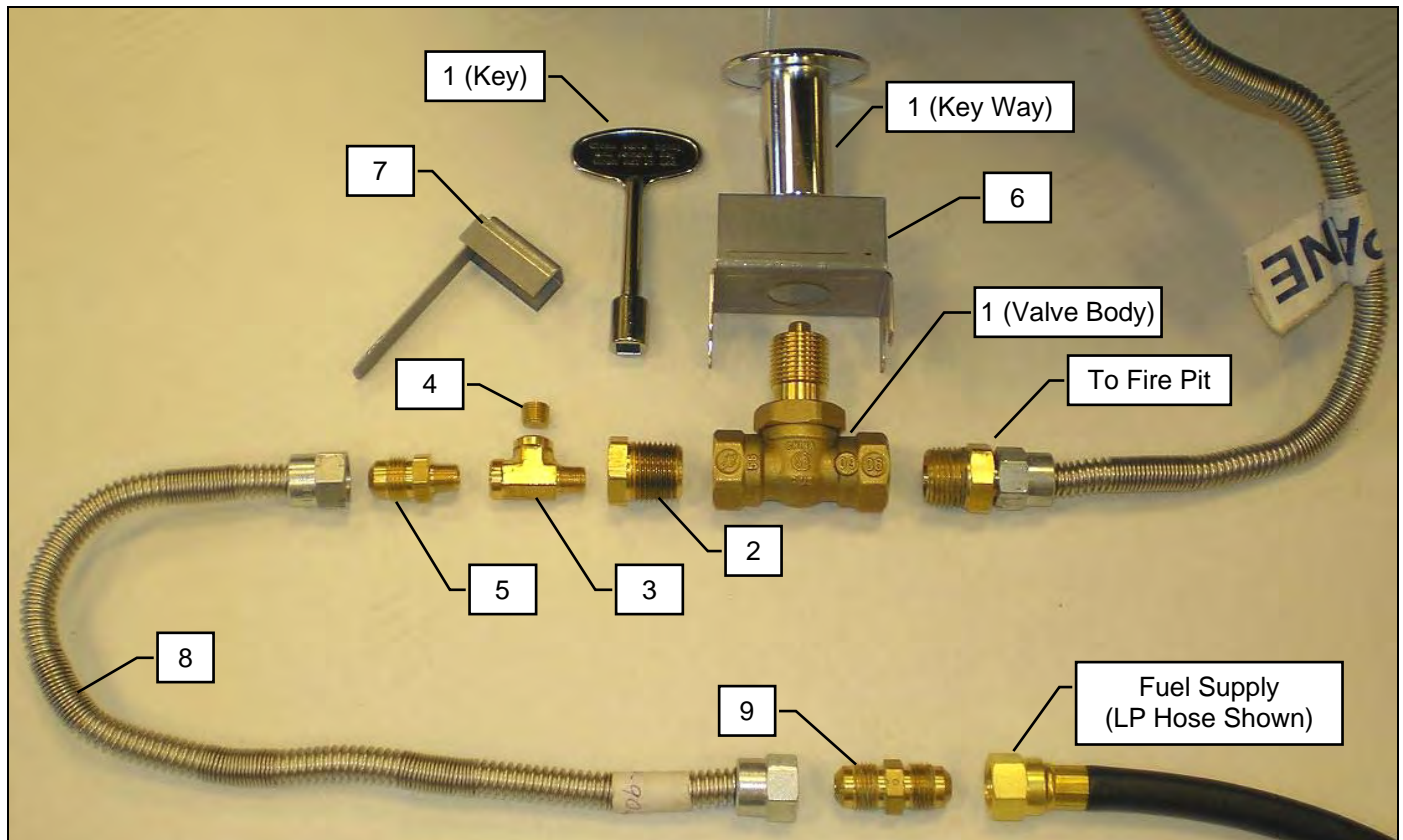
1. Determine a suitable location for Valve if not supplied.
NOTE: Mounting surface of Valve should be approximately 1" to 1-1/2" thick if you wish to use supplied Valve Mount Bracket.
2. Drill a 1-1/8" hole (preferably with a core style masonry bit) at this location.
3. Remove Key Way and Valve Mount Bracket from Valve Body.
4. Remove existing valve from Fire Pit assembly.
5. Connect Key Way Valve Body to Fire Pit Connector.
6. Place Key Way into 1-1/8" hole.
7. Place Valve Mount Bracket onto Valve.
8. Manually start threads of Key Way onto Valve body.
9. Using supplied tool, tighten Key Way onto Valve.
10. Proceed with installation of Fire Pit and Fuel Supply.



⚠ WARNING

Always check for gas leaks with a soap and water solution. **DO NOT USE OPEN FLAME FOR LEAK TESTING.**

USE PIPE THREAD SEALANT



Kingsman Outdoor Fire Pit Media Section

MEDIA REQUIREMENTS OPTIONS: (When not using LOGC85 Log Set)

20 LBS of Glass Required for Fire Pits, if using the Fire Bowl add an additional 10-15LBS of Glass.

One bag of MQSTONE may be used for the Fire Pit, if using the Fire Bowl an additional bag may be used.

One [10LB] bag of 1/4" Lava Rock is required for the Fire Pit and an additional [10LB] bag for the Fire Bowl (2-10LB bags of 1/4" Lava Rock are supplied with Fire Bowl) may be used to fill the entire Bowl with the same material.

REQUIRED AMOUNT OF MEDIA			
ACCESSORY ITEM	FP2785 Rectangular Fire Pit	FP2085 Round Fire Pit Only	FP2085 Round Fire Pit With Fire Bowl
ROCKS			
*MLR1410 - 1/4" Lava Rock 10 LBS	10 LBS (1 BAG)	10 LBS (1 BAG)	20 LBS *(2 BAGS)

*Fire Bowl Includes: 1/4" Lava Rock – 10LBS

-MQ DEALERS ONLY-			
MQSTONE - Decorative Stones	1 BAG	1 BAG	2 BAGS

NOTE: The MQSTONE requires a Glass or Lava Rock Base.

GLASS			
MQG5W - 1/2" White Glass 5LBS	20LBS (4 BAGS)	20LBS (4 BAGS)	30-35LBS (6-7 BAGS)
MQG5C - 1/2"Bronze Glass 5LBS	20LBS (4 BAGS)	20LBS (4 BAGS)	30-35LBS (6-7 BAGS)
MQG5A - 1/2"Cobalt Blue Glass 5LBS	20LBS (4 BAGS)	20LBS (4 BAGS)	30-35LBS (6-7 BAGS)
MQG5B - 1/2" Black Glass 5LBS	20LBS (4 BAGS)	20LBS (4 BAGS)	30-35LBS (6-7 BAGS)
MQG10C - 1/4" Reflective Bronze Glass 10 LBS	20LBS (2 BAGS)	20LBS (2 BAGS)	30-35LBS (3-4 BAGS)
MQG10B - 1/4" Black Glass 10 LBS	20LBS (2 BAGS)	20LBS (2 BAGS)	30-35LBS (3-4 BAGS)

Media Examples Shown Below.



FP2085 Without Media



1/4" Lava Rock (1 Bag – 10LBS)



1/4" Lava Rock & 3/4" Lava Rock (Supplied with Fire Pit).
(1/4" Lava Rock is used as Base.)



1/4" Reflective Bronze Glass - (20LBS)



MQSTONE with 1/4" Lava Rock Base - (10LBS)



MQSTONE with 1/4" Bronze Glass Base - (20LBS)

NOTE: MQSTONE Requires a Glass or Lava Rock Base.

OPERATING INSTRUCTIONS

Upon completing the gas line connection, a small amount of air will be in the lines. When first lighting the burner, it will take a few minutes for the lines to purge themselves of this air. Once the purging is complete, the burner will light and operate as indicated in the instruction manual. Subsequent lighting of the appliance will not require such purging.

WARNING: Read and follow the Safety and Lighting Instructions page in this manual and on labels on the appliance. **IF YOU DO NOT FOLLOW THESE INSTRUCTIONS PRECISELY, A FIRE OR EXPLOSION MAY RESULT AND YOU MAY BE SERIOUSLY INJURED!**

MAINTENANCE INSTRUCTIONS

1. The appliance should be inspected before initial use and inspected and cleaned at least annually by a qualified field service person.
2. Tampering is **DANGEROUS** and voids all warranties. Any component that is found to be faulty, must be replaced with an approved component.
3. To obtain proper operation, it is imperative that the burner flame characteristics are steady, not lifting or floating. Check the burner flame patterns with Log Placement Instructions Section.
4. Periodically remove the logs and examine the burner. If dirty, clean with a soft brush. Also examine the area around the burner air shutter. Any dirt or lint in this area should be removed. This will ensure long life and trouble free operation. Re-install the logs as shown in the log placement instructions. When the appliance is put back in service, check the burner flame patterns with Log Placement Instructions Section.
5. Periodically check the hose connecting the LP-gas cylinder to ensure it is not damaged in any way.

HIGH ELEVATION INSTALLATION

U.L. Listed gas fireplaces are tested and approved for elevations from 0 to 4,500 feet in Canada and U.S.A.

When installing this fireplace at an elevation above 4,500 feet (in Canada), check with local authorities.

Consult your local gas utility for assistance in determining the proper orifice for your location.

SAFETY INFORMATION AND LIGHTING INSTRUCTIONS

FOR YOUR SAFETY READ BEFORE LIGHTING

WARNING: If you do not follow these instructions exactly, a fire or explosion may result causing property damage, personal injury or loss of life.

- A. This appliance must be lit by hand. When lighting, follow these instructions exactly.
- B. Before LIGHTING, smell all around the appliance area for gas. Be sure to smell next to the floor, because some gas is heavier than air and will settle on the floor.
- C. Use only your hand to turn the gas control knob or valve. Never use tools. If the valve will not turn by hand, don't try to repair it, call a qualified service technician. Force or attempted repair may result in a fire or explosion.

WHAT TO DO IF YOU SMELL GAS

- Do not try to light any appliance.
 - Do not touch any electric switch; do not use any phone in your building.
 - Immediately call your gas supplier from a neighbours phone. Follow the gas suppliers instructions.
- D. Do not use this appliance if any part has been underwater. Immediately call a qualified service technician to inspect the appliance, and to replace any part which has been underwater.

LIGHTING INSTRUCTIONS

1. STOP! Read the safety information above.
2. Remove the top cover.
3. Find the manual gas control valve.
4. Place a burning match on top of burner in the middle where ports are present. DO NOT HOLD THE MATCH IN HAND. For Natural Gas unit turn on the on/off valve slowly at the unit. For LP unit turn the valve on the LP tank counter-clockwise all the way and then turn on the on/off valve slowly at the unit.
5. If the burner does not light before the match goes out, immediately turn the gas to off.
6. Wait at least five (5) minutes to clear out any gas. If you have unsuccessfully tried to light the burner, wait longer. Then smell for gas, including near the floor. If you smell gas, STOP! Follow "B" in the safety information above. If you don't smell gas, repeat step 4.

TO TURN OFF GAS APPLIANCE

1. Turn the on/off valve to the off position at the unit for natural gas unit. For LP unit, turn the on/off valve to the off position at the unit and then turn the valve on the LP tank to the off position clockwise.
2. Replace the top cover.

FP2085/FP2785 Parts List

KINGSMAN FIRE PITS:

Listed for Canada and USA

NUMBER	DESCRIPTION
FP2085N	Round 20" Diameter - 65,000 BTU - Natural Gas c/w 10LBS ¾" Lava Rock
FP2085LP	Round 20" Diameter - 65,000 BTU - Liquid Propane c/w 10LBS ¾" Lava Rock
FP2785N	Rectangular 27" x 20" - 65,000 BTU - Natural Gas c/w Cover & 10LBS ¾" Lava Rock
FP2785LP	Rectangular 27" x 20" - 65,000 BTU - Liquid Propane c/w Cover& 10LBS ¾" Lava Rock

LOG SET

LOGC85	Log Set - Four piece Cast oak
--------	-------------------------------

MEDIA OPTIONS

MLR1410	Media - 1/4" Lava Rock 10 lbs
---------	-------------------------------

MEDIA OPTIONS – MQ DEALER ONLY

MQSTONE	Decorative Stones
MQG5W	Decorative Glass 1/2" White
MQG5A	Decorative Ember Glass 1/2" Cobalt Blue
MQG5C	Decorative Ember Glass - 1/2" Bronze
MQG5B	Decorative Ember Glass - 1/2" Black
MQG10C	Media - 1/4" Reflective Bronze Glass 10 lbs
MQG10B	Media - 1/4" Black Glass 10 lbs

FIRE PIT ACCESSORIES OPTIONS

27FP-113A	Cover for Rectangular Fire Pit (SUPPLIED WITH UNIT)
FP20COV	Cover for Round Fire Pit
FP20SSR	Stainless Steel Ring (Fits FP2085N, FP2085LP)
30FPB-KWK	Decorative Key Way Valve and Connectors MUST BE INSTALLED BY A QUALIFIED SERVICE TECHNICIAN

OUTDOOR FIRE BOWLS FOR THE 2085 FIRE PIT

Fire Bowl Includes Key Way Valve and Connectors, 1/4 Lava Rock (10 Lbs), Leg Extension, Filler Strip Ring and SS Flex Connector. Fire Pit not included.

FPB30TB	Fire Bowl - Textured Black
FPB30SG	Fire Bowl - Smooth Grey
FPB30COVB	Cover for Fire Bowl - Charcoal
FPB30COVG	Cover for Fire Bowl - Grey

KINGSMAN FIRE PITS REPLACEMENT PARTS

27FP-900FF	LP Reg & 5ft Hose (I4T60GRQC)
27FP-901FF	Ball Valve with Manometer (BVTM5042-6)
27FP-902FF	SS Gas Connector 16" (ACS-375-16)
27FP-P904FF	Brass Connector 48-6A
27FP-P486D	Connector 3/8 to ½ 48-6D
1000-255	Brass Orifice
27FP-115	Gasket

REPLACEMENT PARTS FOR MANOMETER SUB-ASSEMBLY OF 30FPB-KWK KEY WAY VALVE KIT

30FPB-P107A	Tee 1/8 107-A @ 1.280
30FPB-P110DA	Bushing ½-1/8 110-DA @ .72
30FPB-P118A	Plug 118-A @ .22

Kingsman Fireplaces Gas Fire Pit – Limited Warranty

Save this certificate. It gives you specific legal rights, and you may also have other rights which may vary from state to state.

In the event your unit needs servicing contact your dealer or contractor who installed or service your unit. When requesting service, please have the model and serial number from each unit readily available. If your dealer needs assistance, the distributor is available for support and we, in turn support the distributor's efforts.

Fill in the installation date and model and serial numbers of the unit in the space provided below and retain this limited warranty for your files.

GENERAL TERMS

This limited warranty applies only while the unit remains at the site of the original installation and only if the unit is installed inside the continental United States, Alaska, Hawaii and Canada. The warranty applies only if the unit is installed and operated in accordance with the printed instructions and in compliance with applicable installation, building codes and good trade practices.

During the first year after installation, we will provide a replacement for any component part of your unit found to be defective in materials or workmanship. The part to be replaced must be returned to our distributor in exchange for the replacement part.

In lieu of providing a replacement part, we may, at our option, provide the distributor's component purchase price from us or a credit equal to the distributor's component purchase price from us toward the purchase of any new unit which we distribute. If a credit is given in lieu of a replacement part, the rating plate from the unit being replace must be submitted on a warranty claim and the unit being replaced must be made available to our distributor for disposition.

In establishing the date of installation for any purpose including determination of the starting date for the term of this limited warranty, reasonable proof of the original installation date must be presented*, otherwise the effective date will be based upon the date of manufacture plus thirty (30) days.

Any labor, material, freight and/or handling charges associated with any repair or replacement pursuant to this limited warranty will be your responsibility. In this warranty the word "installation" means original installation.

We will not be responsible for and you the user will pay for: (a) damages caused by accident, abuse, negligence, misuse, riot, fire, flood, or Acts of God (b) damages caused by operating the unit where there is a corrosive atmosphere containing chlorine, fluorine, or any other damaging chemicals (other than in a normal residential environment) (c) damages caused by any unauthorized alteration or repair of the unit affecting its stability or performance (d) damages caused by improper matching or application of the unit or the unit's components (e) damages caused by failing to provide proper maintenance and service to the unit (f) any expenses incurred for erecting disconnecting or dismantling the unit (g) parts or supplies used in connection with service or maintenance (h) damage repairs, inoperation or inefficiency resulting from faulty installation or application (i) electricity or fuel costs or any increase in electricity or fuel cost whatsoever including additional or unusual use of supplemental electric heat.

We shall not be liable for any incidental, consequential, or special damages or expenses in connection with any use or failure of this unit. We have not made and do not make any representation or warranty of fitness for a particular use or purpose and there is no implied condition of fitness for a particular use or purpose. We make no express warranties except as stated in this limited warranty. No one is authorized to change this limited warranty or to create for us any other obligation or liability in connections with this unit. Any implied warranties shall last for one year after the original installation. Some states and provinces do not allow the exclusion or limitation of incidental or consequential damages or do not allow limitations on how long an implied Warranty or condition lasts so the above limitations or exclusions may not apply to you. The provisions of this limited warranty are in additions to and not a modification of or subtraction from an statutory warranties and other rights and remedies provided by law.

Model No.: _____ Serial No.: _____

Date Installed: _____

*You must retain the original records that can establish the installation date of your unit.