

Installation Instructions

Model Numbers: ZCV3622N, ZCV3622NE, ZCV3622LP, ZCV3622LPE
ZCVRB3622N, ZCVRB3622NE, ZCVRB3622LP, ZCVRB3622LPE,

Certified to:

ANSI Z21.88-2014 • CSA 2.33-2014

ZERO CLEARANCE VENTED GAS FIREPLACE HEATER

WARNING:

FIRE OR EXPLOSION HAZARD

Failure to follow safety warnings exactly could result in serious injury, death, or property damage.

- Do not store or use gasoline or other flammable vapors and liquids in the vicinity of this or any other appliance.
- WHAT TO DO IF YOU SMELL GAS
 - Do not try to light any appliance.
 - Do not touch any electrical switch; do not use any phone in your building.
 - Leave the building immediately.
 - Immediately call your gas supplier from a neighbor's phone. Follow the gas supplier's instructions.
 - If you cannot reach your gas supplier, call the fire department.
- Installation and service must be performed by a qualified installer, service agency or the gas supplier.

ZCV3622 SOLARA

ZCVRB3622 SKYLINE



This appliance may be installed in an aftermarket, permanently located, manufactured home (USA only) or mobile home, where not prohibited by local codes.

This appliance is only for use with the type of gas indicated on the rating plate. This appliance is not convertible for use with other gases, unless a certified kit is used.

INSTALLER: Leave this manual with the appliance.

CONSUMER: Retain this manual for future reference.

DANGER



**HOT GLASS WILL
CAUSE BURNS.**

**DO NOT TOUCH GLASS
UNTIL COOLED.**

**NEVER ALLOW CHILDREN
TO TOUCH GLASS.**

A barrier designed to reduce the risk of burns from the hot viewing glass is provided with this appliance and shall be installed for the protection of children and other at-risk individuals.



Table of Contents

INFORMATION

Table of Contents.....	2-3
Glass Safety / Termination Cap Safety- All Units.....	4
Pre-installation Questions and Answers.....	5
Operating Instructions.....	5
Safety Screen Installation.....	6
Warnings, Installations, and Operations.....	7-8
Recommendations for Finishing of Clean View Installations.....	9
Mobile Home/Manufactured Housing Installation.....	10
Nailing Tab Guide.....	11
ZCV3622 / ZCVRB3622 Framing Your Gas Fireplace.....	12

ZCV3622 / ZCVRB3622 INSTALLATION

Locating Your Appliance / Fireplace Dimensions.....	13
Framing Dimensions and Clearances -With Factory Installed Flue Restrictor-.....	14
Low Enclosure Framing Dimensions and Clearances – Factory Installed Flue Restrictor Removed.....	15
Facing Requirements.....	16
ZCV3622 / ZCVRB3622 Mantel Clearances.....	17

GENERAL INSTALLATION, USE, AND MAINTENANCE

Gas Line Installation.....	18
Millivolt System, Lighting, and Burner Control.....	19
Burner System Maintenance.....	20
Burner System Removal / Conversion Kit Instructions – PART A.....	21-23
Gas Conversion Kit For Top Convertible Pilot PART B –Millivolt.....	24
Gas Conversion Kit For Top Convertible Pilot PART B –IPI.....	25
Gas Conversion for Modulator – PART C.....	26

IPI SECTION

IPI Electronic Ignition System.....	27
Remote Control Operation.....	28
IPI Electronic Ignition Parts List – Standard System.....	29
Configuration 1: Basic Manual Hi / Lo and manual Off.....	30
Configuration 2: Remote On / Off and manual Hi / Lo.....	31
Operating the Receiver Without Batteries For GT / EGT / GTM / EGTM Remote Controls.....	32
Electronic Ignition Lighting Instructions.....	33
Proflame 2 Parts List.....	34
Proflame 2 GTMFL Configurations.....	35
Proflame 2 Module.....	36
Proflame 2 Remote Control.....	37

ACCESSORIES

Door and Glass Information.....	38
ZCV3622 / ZCVRB3622 UHS Box / Component Locations.....	39
ZCV3622 / ZCVRB3622 Z36FK Fan Kit Installation.....	40
Fan Speed Control Outside of Fireplace.....	41
ZCV3622 / ZCVRB3622 Liner Installation Guide.....	42
ULK2 Universal Light Kit.....	43-44
LOGC51 -5 Piece Oak Log Set for ZCV3622.....	45-46
MQLOGC22.....	47-48
MQLOGC23 -4 Piece Driftwood Log Set for ZCV3622.....	49
MQRSP5.....	50-51
MQ Accessories Available – ZCVRB3622.....	52-53
ZCV36S1BL Surround Installation.....	54
ZCV36LMK Magnet Kit ZCV3622 / ZCVRB3622.....	55
ZCV3622RBS Surround Installation.....	56
Troubleshooting the Gas Control System.....	57

VENTING

Vent Termination..... 58
General Vent Installation..... 59
Installation of Side Wall Venting..... 59
Venting Routes And Components..... 60
Horizontal Venting Table..... 60
Venting Straight Up Through Roof..... 61-62
Vertical Venting over 15 Feet..... 63
Z47ST24 / Z47ST36 Horizontal Snorkel Terminations..... 64
Approved for Power Vent PVH58..... 65

PARTS LISTS

PVH58 Parts List..... 66
ZCV3622 Parts List..... 67
ZCVRB3622 Parts List..... 68
ZCV3622 / ZCVRB3622 Common Parts and Venting..... 69

WARRANTY

Limited Lifetime Warranty..... 70

-Glass Safety- All Units

IT IS THE RESPONSIBILITY OF THE HOME OWNER TO ENSURE THAT NO ONE TOUCHES A HOT APPLIANCE.

If the barrier becomes damaged, the barrier shall be replaced with the manufacturer's barrier for this appliance.

Any safety screen, guard, or barrier removed for servicing the appliance, must be replaced prior to operating the appliance.

- Children and adults should be alerted to the hazards of the high surface temperatures of this appliance and should stay away to avoid burns or ignition of clothing.
- Do not clean when the glass is hot.
- Young children should be carefully supervised when they are in the same room as the appliance. Toddlers, young children and others may be susceptible to accidental contact burns.
- A physical barrier is recommended if there are at risk individuals in the house. To restrict access to a fireplace or stove, install an adjustable safety gate to keep toddlers, young children and other at risk individuals out of the room and away from hot surfaces.
- Do not leave the fireplace remote control where it is accessible to children.

 **DANGER**



HOT GLASS WILL CAUSE BURNS.

DO NOT TOUCH GLASS UNTIL COOLED.

NEVER ALLOW CHILDREN TO TOUCH GLASS.

A barrier designed to reduce the risk of burns from the hot viewing glass is provided with this appliance and shall be installed for the protection of children and other at-risk individuals.

-Termination Cap Safety- All Units

 **WARNING:**

A HORIZONTAL VENT CERTIFIED GUARD (SAFETY CAGE) IS AVAILABLE WHEN REQUIRED BY LOCAL CODES.

SAFETY CAGES ARE AVAILABLE FOR ALL HORIZONTAL VENT TERMINATIONS. CHECK WITH YOUR DEALER.

- **TERMINATION CAP IS HOT!** Do not place flammable materials on or within 24 inches of termination caps.
- It is imperative that the vent termination be located observing the minimum clearances as shown in manual.
- There must not be any obstruction such as bushes, garden sheds, fences, decks or utility buildings within 24" from the front of the termination plate.
- Do not locate termination where excessive snow or ice build-up may occur. Be sure to check vent termination area after snow falls and clear to prevent accidental blockage of venting system. When using snow blowers, make sure snow is not directed towards vent termination area.
- Venting terminal shall not be recessed into a wall or siding.

Pre-installation Questions and Answers

About curing of the paint

Your stove or fireplace has been painted with the highest quality silicone stove paint. This paint dries quickly in 15-20 minutes when first applied at the factory. However, due to the high temperature silicone components, the paint will cure when heat is applied to the appliance as it is first used. The following information applies to the curing process to get the paint fully hard and durable.

Fire the appliance four successive times for 10 minutes each firing and a 5 minute cool down between each. Be aware during log and firebox paint curing that a white deposit may be developing on the inside of the glass doors. It is important to remove this white deposit from the glass doors using a fireplace glass cleaner.

- Babies, small children, pregnant women and pets should leave the area during the cure phase.
- Ventilate well, open doors and windows.
- Do not touch during curing.

Why does my fireplace or stove give off odour?

It is normal for your fireplace to give off some odor at first. This is due to the curing of the paint, adhesives, silicones and any undetected oil from the manufacturing process as well as the finishing materials used with the installations (e.g. marble, tile and the adhesives used to adhere this product to the walls can react with heat and cause odours).

It is recommended that you burn your gas fireplace or stove for a minimum of four hours at a time with the fan off (if a fan is present) after the curing of the paint has been completed. These odours can last upward to 40 hours of burn time; keep burning at a minimum of four hours per use until odours dissipate.

Noise coming from the fireplace?

Noise is caused by the expansion and contraction of metal as the appliance heats up and cools down. This is normal and is similar to the sounds produced by a furnace or heating duct. This noise does not affect the operation or longevity of your fireplace.

It is also normal for the fan to make some noise when it comes on. This noise can be reduced somewhat by turning down the speed of the fan with the variable speed control. Be aware, however, that this will reduce the volume of heated air circulated into the room by the fan.

Note to the Installer:

Be sure appliance is working properly and its operation (including remote control operation, if included) is fully explained to and understood by the customer.

Operating Instructions

1. Be sure to read and understand all the instructions in this manual before operation of appliance.
2. Ensure all wiring is correct and properly enclosed to prevent possible shock.
3. Check for gas leaks.
4. Make sure the glass door is properly installed before operation. Never operate the appliance with the glass door removed.
5. Make sure venting and termination cap are installed and unobstructed.
6. If brick or porcelain liners are used, ensure they are installed.
7. Verify that the pilot can be seen when lighting the appliance. If not, the log or rock placement is incorrect.
8. If the unit is turned off, you must wait a minimum of 60 seconds before re-lighting it.

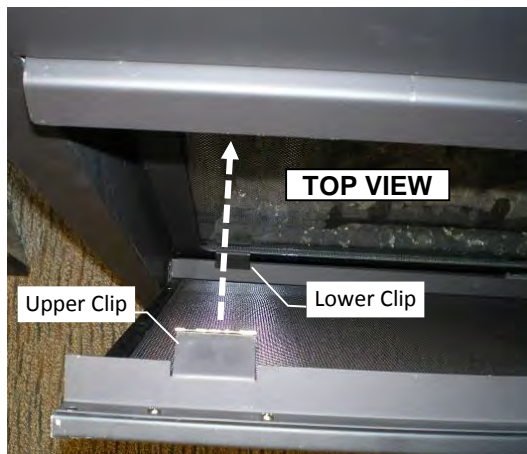
Included with fireplace:

[1] Safety Screen

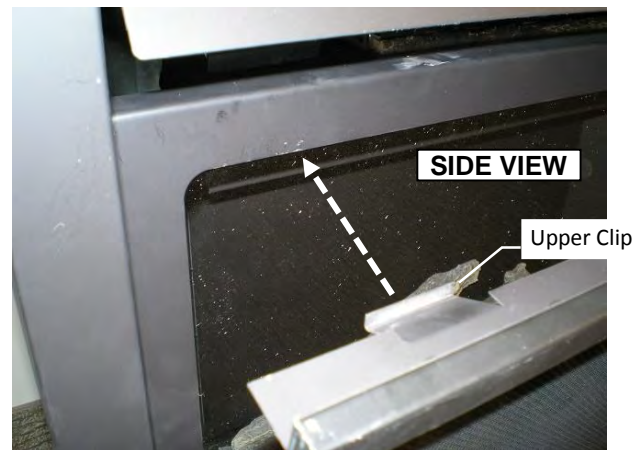
NOTE: Screen is symmetrical from top to bottom.

⚠WARNING:

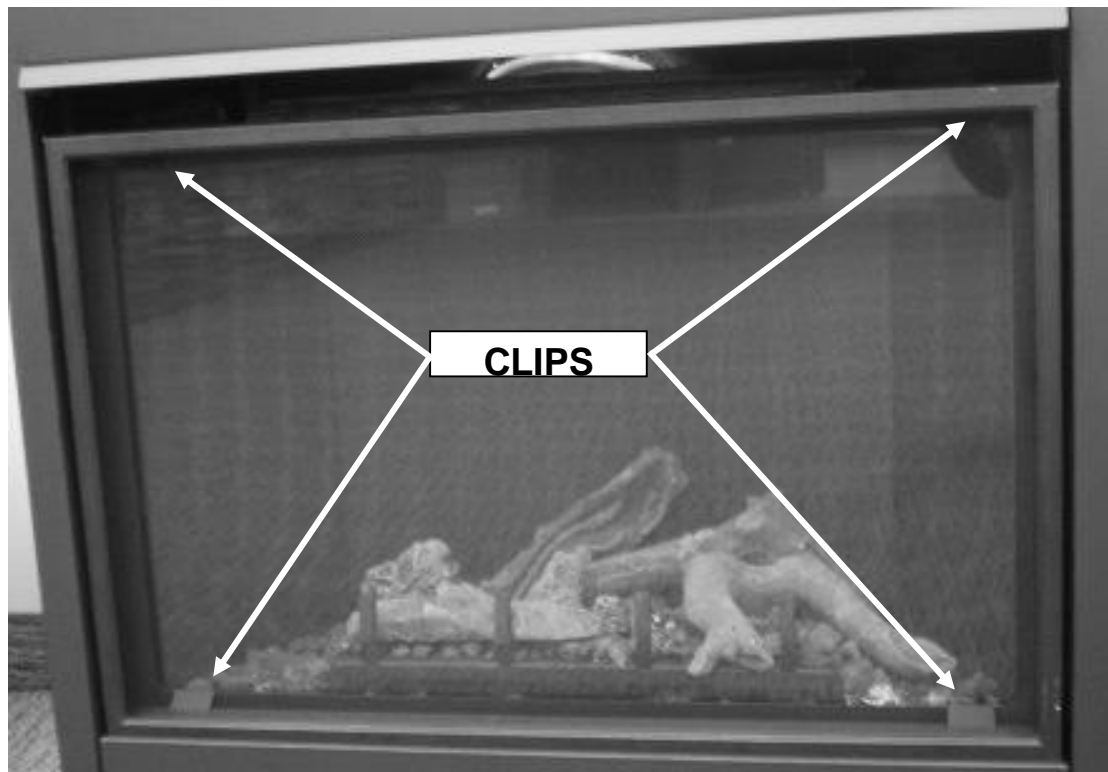
Wait until unit is **COMPLETELY** cool before touching glass or attempting to install or remove Child Safety Screens.



Hook Lower Clip onto glass door frame.



Press down and push upper clip under top glass door frame.



To install screens hook bottom clip onto glass door frame, then press down and push upper clip under top glass door frame, then release. Clip will hook onto frame.

To remove Safety Screens
WAIT UNTIL FIREPLACE IS COMPLETELY COOL.
Press down on upper clips and remove screen from fireplace glass door.

Warnings, Installations and Operations

Installation Regulations

This gas appliance must be installed by a qualified installer in accordance with local building codes, or in the absence of local codes, with the current CAN/CSA-B149.1 or .2 Installation Code (in Canada) or the current National Fuel Gas Code Z223.1- NFPA 54 when installed in the United States.

This appliance, when installed, must be electrically connected and grounded in accordance with local codes, or in the absence of local codes, with the current CSA C22.1 Canadian Electrical Code or with the National Electrical Code; ANSI/NFPA 70 when installed in the United States.

In the U.S.A. Thermostats are not permitted for Vented Gas Fireplaces (ANSI Z21.50b-Decorative).

WARNING

FOR SAFE INSTALLATION AND OPERATION OF YOUR GAS FIREPLACE PLEASE NOTE THE FOLLOWING:

1. Do not clean when the glass is hot.
2. Do not use abrasive cleaners.
3. Using a substitute glass will void all product warranties.
4. For safe operation, glass doors must be closed.
5. When purging the gas line, the glass front must be removed.
6. Do not strike or abuse glass. Take care to avoid breakage.
7. Do not alter gas orifice.
8. No substitute materials may be used other than factory supplied components.
9. This appliance gives off high temperatures and should be located out of heavy traffic areas and away from furniture and draperies.
10. Children and adults should be alerted to the hazards of the high surface temperatures of this appliance and should stay away to avoid burns or ignition of clothing.
11. Young children should be carefully supervised when they are in the same room as the appliance. Toddlers, young children and others may be susceptible to accidental contact burns. A physical barrier is recommended if there are at risk individuals in the house. To restrict access to a fireplace or stove, install an adjustable safety gate to keep toddlers, young children and other at risk individuals out of the room and away from hot surfaces.
12. Under no circumstances should any solid fuels (wood, paper) be used in this appliance.
13. Under no circumstances should this appliance be modified. Any parts that have to be removed for servicing should be replaced prior to operating this appliance.
14. Any safety screen, guard, or barrier removed for servicing an appliance must be replaced prior to operating the appliance.
15. Installation and repair should be done by a qualified service person. The appliance should be inspected before use and at least annually by a professional service person. More frequent cleaning may be required due to excessive lint from carpeting, bedding material, et cetera. It is imperative that control compartments, burners and circulating air passageways of the appliance be kept clean. Make sure that the gas valve and pilot light are turned off before you attempt to clean this unit.
16. Clothing or other flammable material should not be placed on or near the appliance. This appliance should not be used as a drying rack for clothing nor should Christmas stockings or decorations be hung from it.
17. Do not use this heater if any part has been under water. Immediately call a qualified service technician to inspect the heater and to replace any part of the control system and any gas control which has been under water.
18. Do not operate appliance unless completely installed as per installation instructions.
19. Failure to position the parts in accordance with these diagrams or failure to use only parts specifically approved with this appliance may result in property damage or personal injury.
20. **WARNING: Do not operate appliance with the glass front removed, cracked or broken. Replacement of the glass should be done by a licensed or qualified service person.**
21. The appliance area must be kept clear and free from combustible materials, gasoline, and other flammable vapors and liquids.
22. The front of the fireplace gives off high temperatures that could ignite combustible material which is kept close to the front of the unit.
23. Ensure that power to the Fireplace is turned off before servicing.
24. Do not operate this Fireplace without the glass front or with a broken glass.
25. Improper installation, adjustment, alteration, service or maintenance can cause injury or property damage. Refer to the owner's information manual provided with this appliance. For assistance or additional information consult a qualified installer, service agency, or the gas supplier.
26. Operation of this appliance when not connected to a properly installed and maintained venting system or tampering with the blocked vent shutoff system can result in carbon monoxide (CO) poisoning and possible death.
27. This appliance is equipped with a three-prong (grounding) plug for your protection against shock hazard and should be plugged directly into a properly grounded three-prong receptacle. Do not cut or remove the grounding prong from this plug.



DANGER



**HOT GLASS WILL CAUSE BURNS.
DO NOT TOUCH GLASS UNTIL COOLED.
NEVER ALLOW CHILDREN TO TOUCH GLASS.**

A barrier designed to reduce the risk of burns from the hot viewing glass is provided with this appliance and shall be installed for the protection of children and other at-risk individuals.

- Gas fired appliances may be used only for supplemental heat and/or decorative purposes and under no circumstances shall they provide a primary heat source.
- This appliance must not be connected to a chimney flue serving a separate solid-fuel burning appliance.

NOTE: It is recommended that a Carbon Monoxide (CO) Detector be installed in or near bedrooms and on all levels of your home. Place a detector about 15ft [4.5m] outside the room that houses your gas appliance.

Certified for installation in a bedroom or bed/sitting room. In Canada must be installed with listed millivolt thermostat.

In the U.S.A. Thermostats are not permitted for Vented Gas Fireplaces (ANSI Z21.50b-Decorative).

In USA see local codes.

Operations and Maintenance Instructions

For safe installation and operation note the following:

- Venting systems should be periodically examined by a qualified agency.
- The flow of combustion and ventilation air must not be obstructed.
- The Burner/Log Assembly has been engineered and permanently adjusted for proper flame control.
- Periodically remove the logs from the grate assembly and vacuum any loose particles from the grate and burner areas. See Log Placement page to remove logs. Vacuum burner parts and replace logs.
- Never use your gas fireplace as a cooking device.
- Label all wires prior to disconnection when servicing controls. Wiring errors can cause improper and dangerous operation. Verify proper operation after servicing.

Installation Requirements for the Commonwealth of Massachusetts

In the Commonwealth of Massachusetts, the installer or service agent shall be a plumber or gas fitter licensed by the Commonwealth. When installed in the Commonwealth of Massachusetts or where applicable codes; the unit shall be installed with a CO detector per the requirements listed below.

1. For direct-vent appliances, mechanical-vent heating appliances or domestic hot water equipment, where the bottom of the vent terminal and the air intake is installed below four feet above grade the following requirements must be satisfied:
 - A. If there is not one already present, on each floor level where there are bedroom(s), a carbon monoxide detector and alarm shall be placed in the living area outside the bedroom(s). The carbon monoxide detector shall comply with NFPA 720.
 - B. A carbon monoxide detector shall be located in the room that houses the appliance or equipment and shall:
 - Be powered by the same electrical circuit as the appliance or equipment such that only one service switch services both the appliance and the carbon monoxide detector;
 - Have battery back-up power;
 - Meet ANSI/UL 2034 Standards and comply with NFPA 720; and
 - Have been approved and listed by a Nationally Recognized Testing Laboratory as recognized under 527 CMR.
 - C. A Product-approved vent terminal must be used, and if applicable, a Product-approved air intake must be used. Installation shall be in strict compliance with the manufacturer's instructions. A copy of the installation instructions shall remain with the appliance or equipment at the completion of the installation.
 - D. A metal or plastic identification plate shall be mounted at the exterior of the building, four feet directly above the location of vent terminal. The plate shall be of sufficient size to be easily read from a distance of eight feet away, and read "Gas Vent Directly Below".
2. For direct-vent appliances, mechanical-vent heating appliances or domestic hot water equipment where the bottom of the vent terminal and the air intake is installed above four feet above grade the following requirements must be satisfied:
 - A. If there is not one already present, on each floor level where there are bedroom(s), a carbon monoxide detector and alarm shall be placed in the living area outside the bedroom(s). The carbon monoxide detector shall comply with NFPA 720.
 - B. A carbon monoxide detector shall:
 - Be located in the room that houses the appliance or equipment;
 - Be either hard-wired or battery powered or both; and
 - Shall comply with NFPA 720.

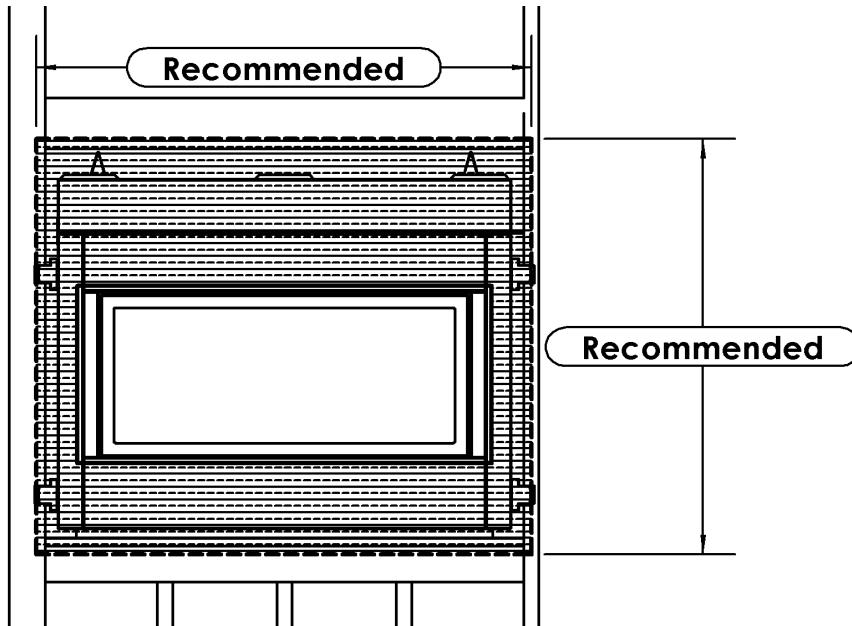
A Product-approved vent terminal must be used, and if applicable, a Product-approved air intake must be used. Installation shall be in strict compliance with the manufacturer instructions. A copy of the installation instructions shall remain with the appliance or equipment at the completion of the installation.

For the state of Massachusetts a **T-handle gas shut-off valve** must be used on a gas appliance. This T-handle gas shut-off valve must be listed and approved by the state of Massachusetts. This is in reference to the state of Massachusetts state code CMR238.

Recommendations for Finishing of Clean View Linear Products

When finishing the wall around the fireplace, it is critical that the wall covering be fastened properly. It is acceptable to pre-drill holes and use self-tapping screws which may be used to fasten a backer for tile, marble, etc. Screws being installed through non-combustible board should be self-tapping type with a maximum length of 2 inches. Wall covering fasteners, such as screws or nails, are not permitted in some locations. Do not drill or install longer screws which may penetrate into the lower cover panel area as this may damage internal components.

- Only **non-combustible** materials may be used over the face of the appliance.
- We recommend that DUROCK (non-combustible material) be tied in to the entire perimeter of the fireplace for durability.



Finishing Recommendations (Obtained from professional construction contractors and finishers):

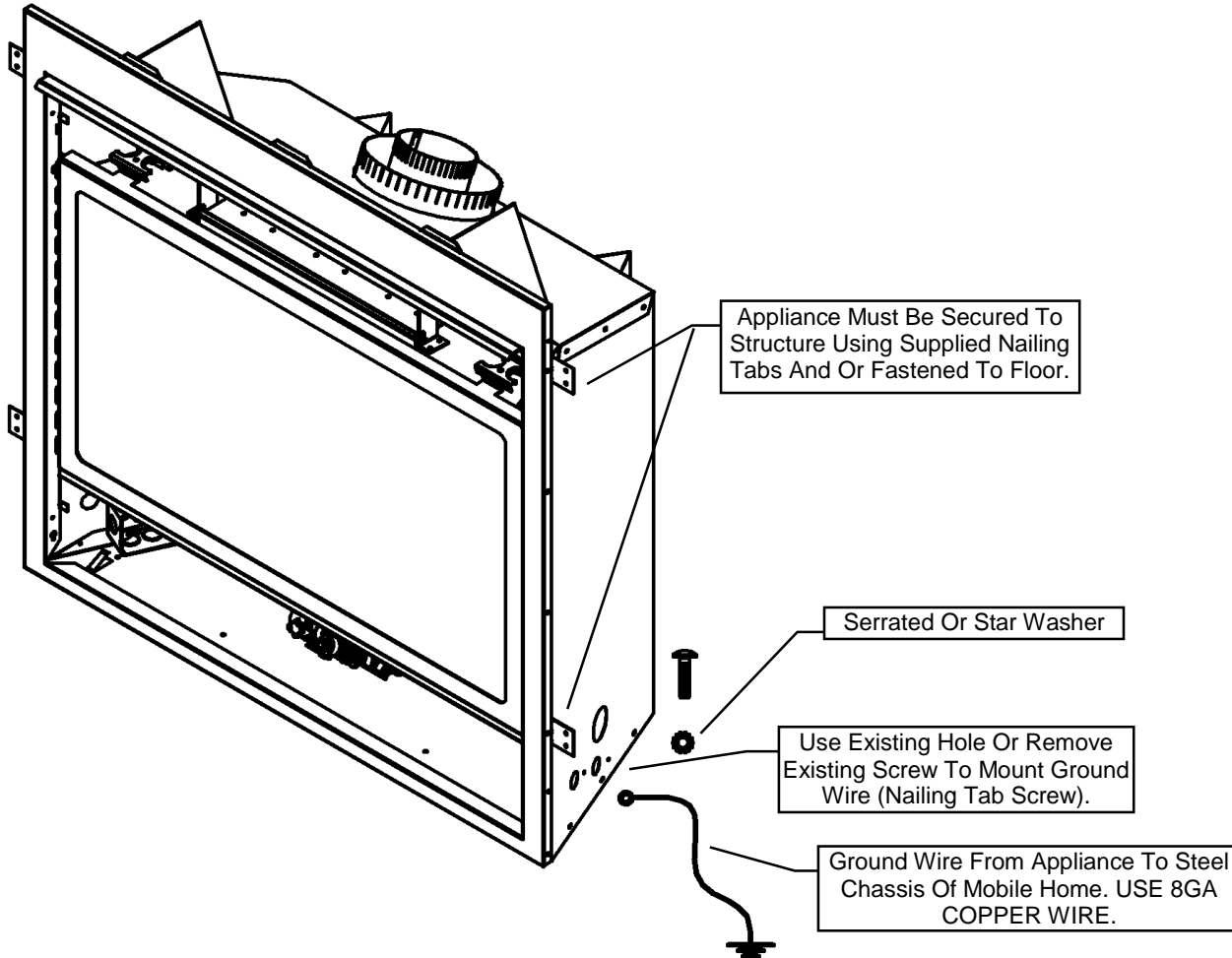
- Frame unit with metal studs (minimum 20 gauge). **Wooden studs may be used, but may cause drywall screws to pop or pull due to wood studs drying out.**
- Minimum of 1/2" DUROCK cement board (this **non-combustible** panel is ULC listed as a wall shield/floor protector) and fasten to the entire perimeter framing.
- Use fiberglass (mesh) tape for all joints in area of the fireplace.
- Use Yellow joint mud (contains high amounts of glue) – two coats, finishing with one coat of green topping mud, sand and prep for painting.
- If not using a surround, a metal "L" Trim may be used to finish perimeter of DUROCK.
- Refer to the following website for more information on using DUROCK Cement Board: www.cginc.com

OTHER NOTES:

- A **full single sheet** of non-combustible board (no joints) above the unit is recommended if possible.
- It is preferred to attach the non-combustible board to **framing only** and not directly to the unit to allow for expansion and contraction during normal operation.
- Lighter colored painted surfaces may discolor due to heat exposure.

Mobile Home/Manufactured Housing Installation

This Direct Vent System Appliance must be installed in accordance with the manufacturer's installation instructions and the Manufactured Home Construction and Safety Standard Title 24 CFR, Part 3280, or the current Standard for Fire Safety Criteria for Manufactured Home Installations, Sites, and Communities ANSI/NFPA 501A, and with CAN/CSA Z240 MH Mobile Home Standard in Canada.



THE VENTED GAS FIREPLACE HEATERS (ANSI Z21.88-2009) IN THIS MANUAL MAY BE INSTALLED IN MANUFACTURED (MOBILE) HOMES AFTER FIRST SALE IN THE USA.

THE VENTED GAS FIREPLACE HEATERS (ANSI Z21.88-2009) IN THIS MANUAL MAY BE INSTALLED IN MANUFACTURED (MOBILE) HOMES IN CANADA.

Please follow the current ANSI/NFPA 70 National Electrical Code in the USA and CAN/CSA C22.1 Canadian National Electrical Code in Canada.

An appliance must be grounded to the steel chassis of the home with 8 ga. copper wire using a serrated or star washer to penetrate paint or protective coating to insure grounding.

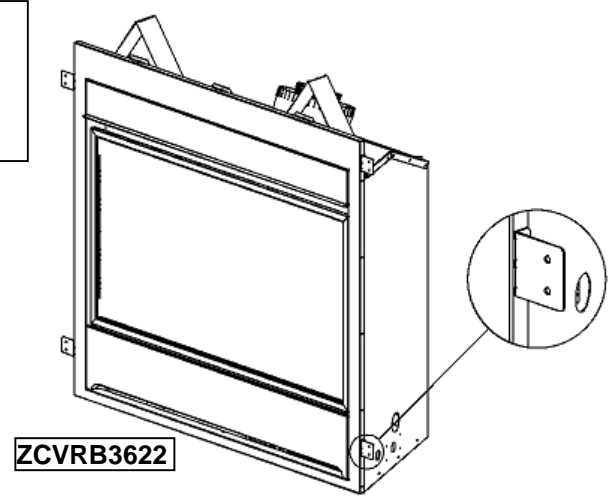
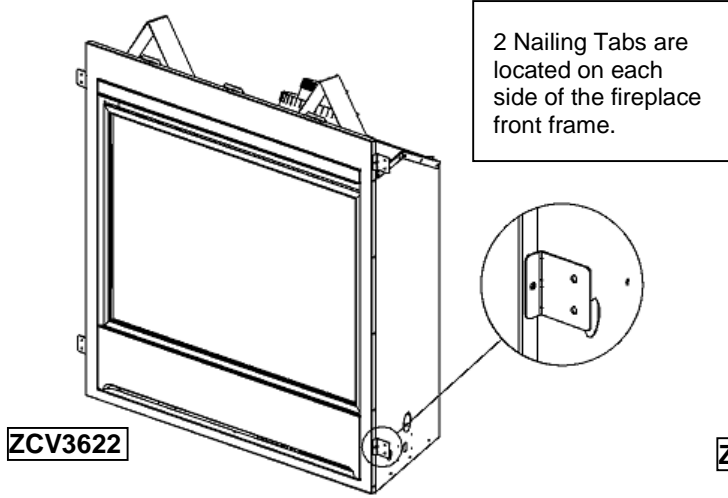
Use carriage bolt at the attachment point (see diagram above) to secure the appliance to the floor.



Warning: Do not compromise the structural integrity of the manufactured home wall, floor or ceiling, during installation of appliance or venting.

For required venting components see venting installation in appropriate section of this manual.

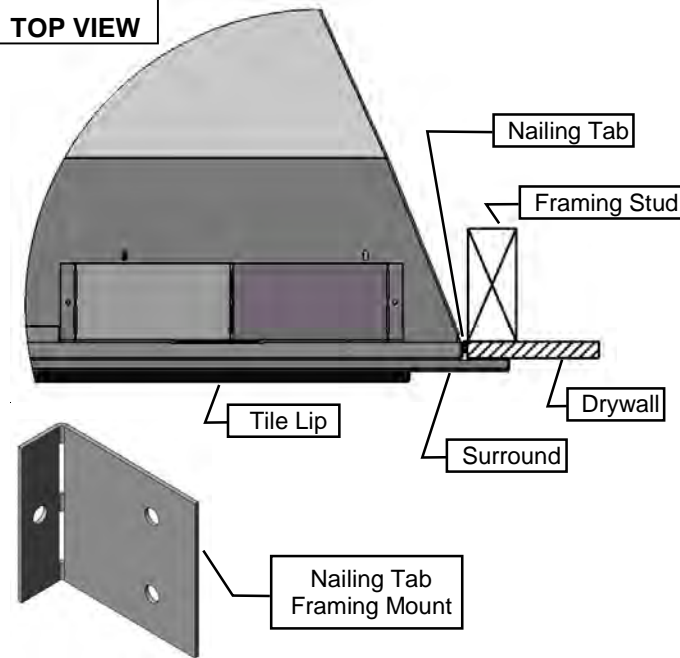
Certified for installation in a bedroom or bed/sitting room. In Canada must be installed with listed millivolt thermostat. In USA see local codes.



These Nailing Tabs can be used in two ways:

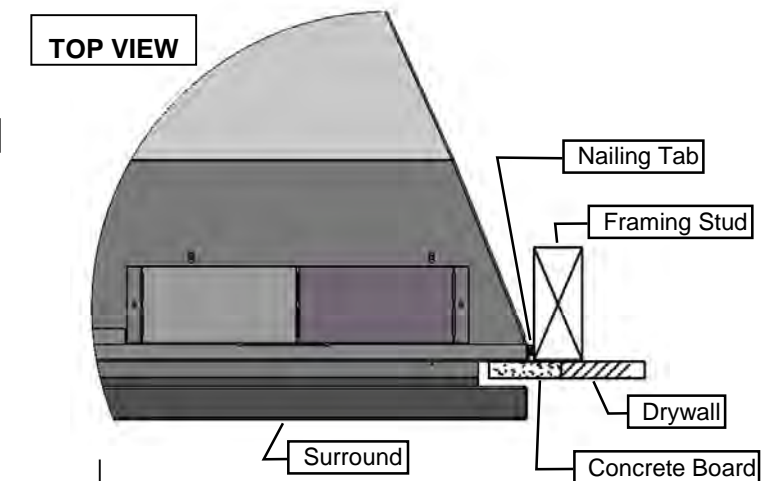
1/2" Drywall Flush with Face of Fireplace -Fireplace and Combustible Wall to be covered with a surround and / or Non-Combustible Materials (e.g. Stone around Fireplace).

TOP VIEW

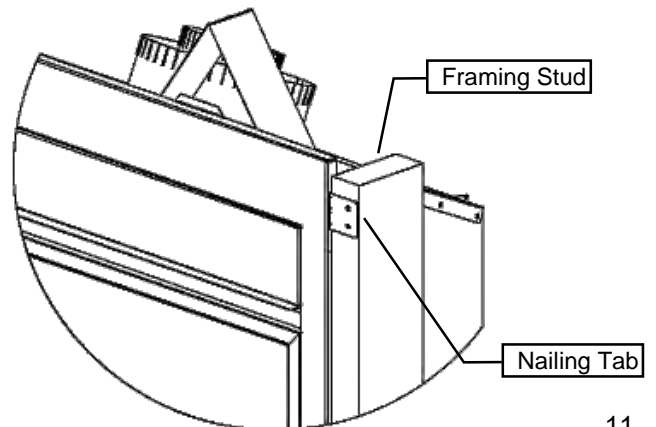
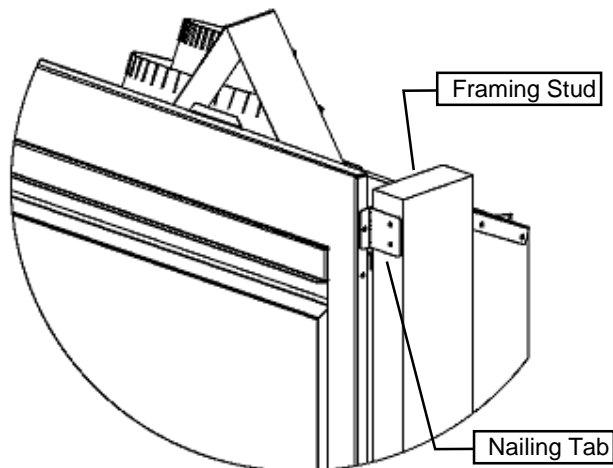


Framing Flush with Face of Fireplace -Fireplace to be covered with Non-Combustibles (e.g. Concrete Board) for Flat Wall appearance. **NOTE: 1/2" MUST BE ADDED TO FRAMING DEPTH OF UNIT. USE THIS METHOD FOR ZCVRB3622 SURROUNDS.**

TOP VIEW



Nailing Tabs Must Be Rotated 180° And Folded Back Onto Framing Stud.



This section is intended for qualified installers only. Before beginning, make note of where the gas and electrical accesses are located on the unit. This will streamline the construction process. Furthermore, familiarize yourself with the venting and clearance requirements (see Venting section) for this appliance. Failure to comply with those requirements can seriously compromise the safety and operation of the fireplace.

Specifications

1. Cold climate installation recommendation: When installing this fireplace against non insulated exterior wall or chase, it is recommended that the outer walls be insulated to conform to applicable insulation codes. Drywall & vapor barrier must be installed over insulation to prevent contact of insulation and unit.
2. Choose fireplace location and frame in accordance with the fireplace framing dimensions specified (view diagrams).
3. Drywall or other combustible material can extend up to the Drywall Stops located on the sides of the unit, and up to the bottom and top.
4. A Hearth is not required for this unit.

Vertical Venting in Cold Climates

In cold climate conditions where temperatures go below -10 degrees Celsius or 14 degrees Fahrenheit, we recommend that the chase be insulated and where the vent pipe enters into the attic space that the pipe be wrapped with an insulated Mylar sleeve. This will increase the temperature of the vent and help the appliance to vent properly in cold weather conditions.

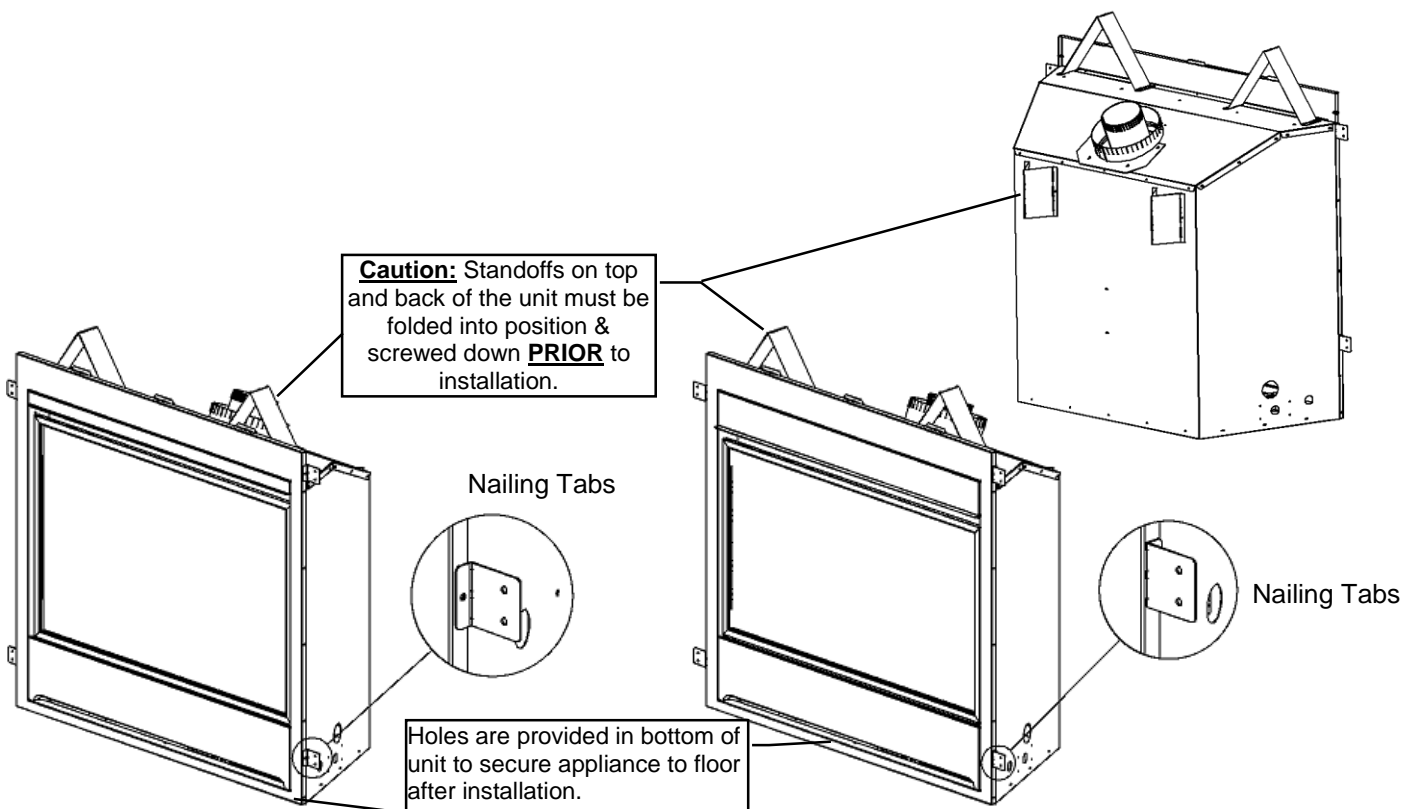
It is also important in vertical vented direct vent appliances that the appliance be operated daily during the winter months as this will help stop the termination from freezing up. We recommend using a thermostat (Not permitted for decorative vented gas fireplaces installed in the U.S.A.) set at room temperature to allow the unit to cycle.

For IPI models it may be necessary to set the appliance to Standing Pilot mode to maintain heat in the cavity. The purpose of this procedure is to prevent cold air from penetrating the chimney and then onto the living space. Therefore, when the internal temperature is slightly elevated the fireplace is able to freely exhaust its combustion and hence making it easier to startup.

Certified for installation in a bedroom or bedsitting room. In Canada must be installed with listed millivolt thermostat (Not permitted for decorative vented gas fireplaces installed in the U.S.A.). In USA see local codes.

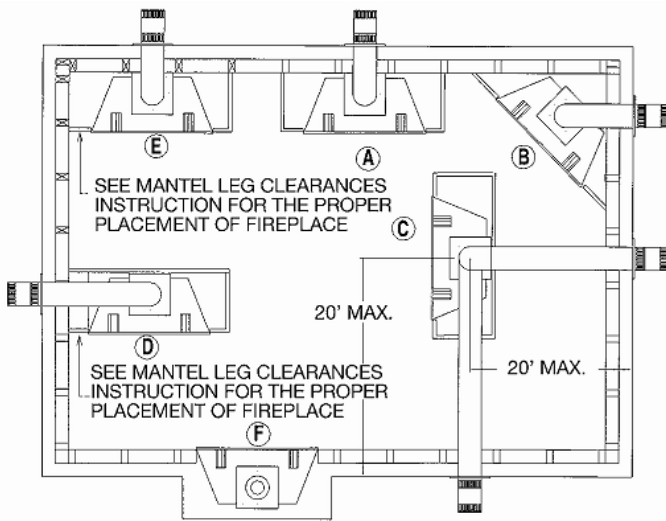
Stand-off Locations

Make note of where the stand-off locations are. These stand-offs are provided as indicators to illustrate the boundaries for framing. Therefore, no framing material is permitted to extend beyond these stand-offs.



ZCV3622 / ZCVRB3622 - Locating your Appliance

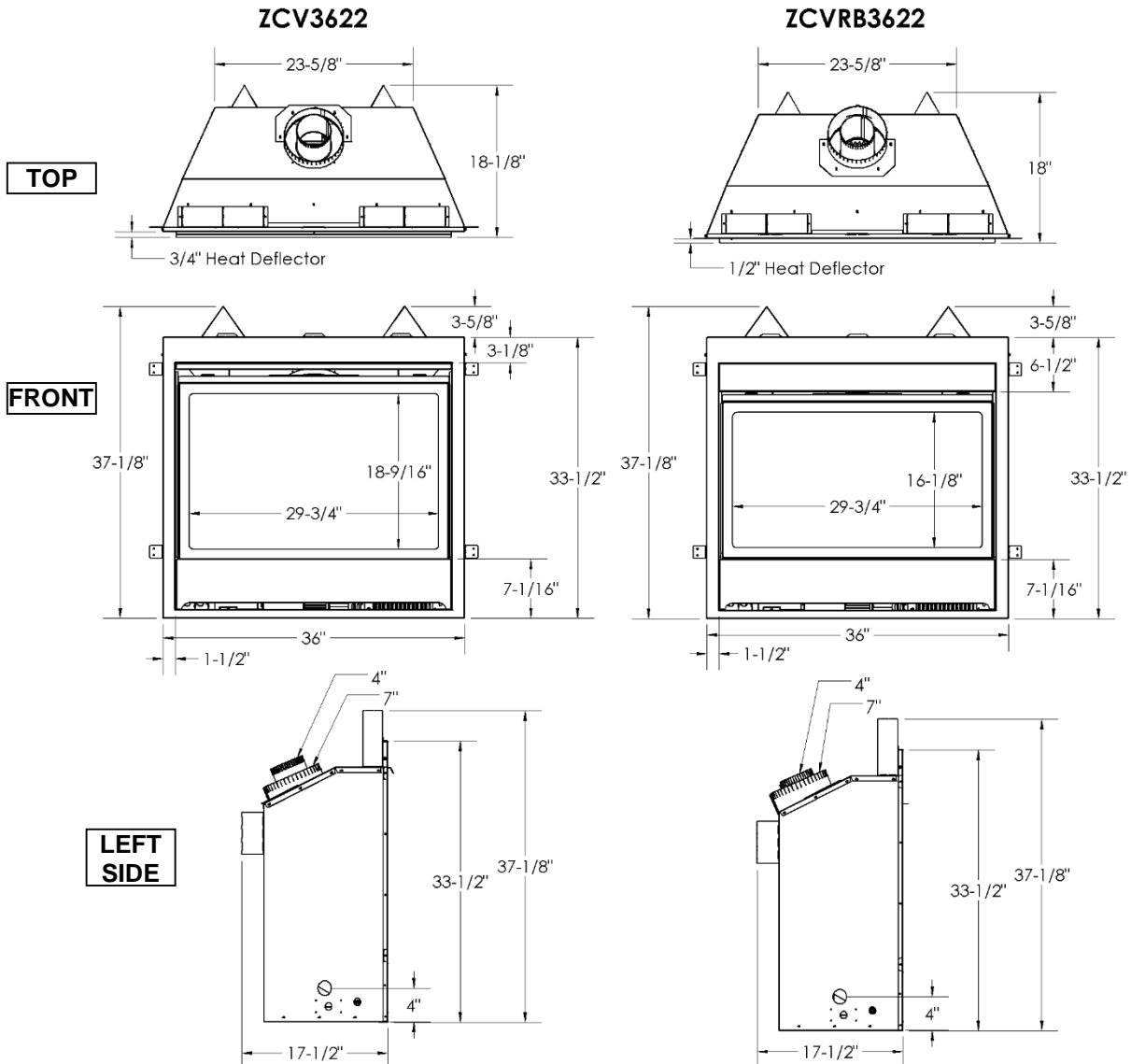
Installing with Top Vent



- A - Flat on a wall
- B - Across the corner
- C - As an island
- D - As a room divider
- E - Flat on wall corner
- F - Exterior wall

Island installation with a top vent is possible as long as the horizontal portion of the vent system does not exceed 20 feet (6.1 m).

ZCV3622 / ZCVRB3622 Fireplace Dimensions



ZCV3622 / ZCVRB3622 Framing Dimensions and Clearances -With Factory Installed Flue Restrictor-

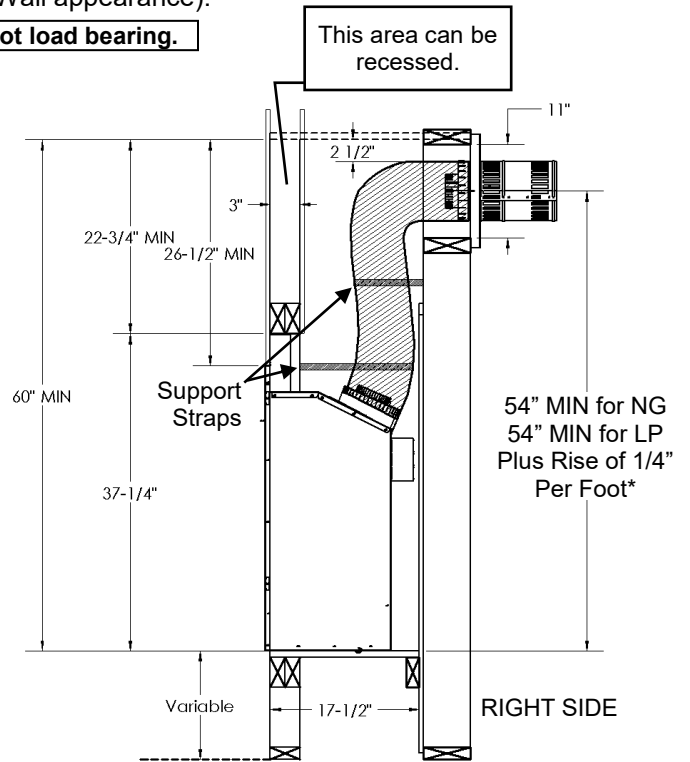
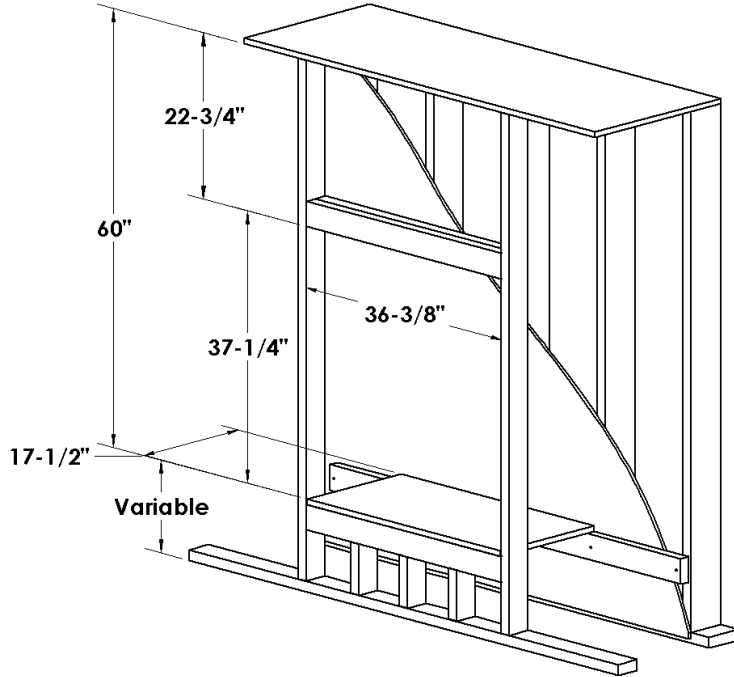
NOTE: Units above the following Serial Numbers will have the Flue Restrictor: **ZCV3622 #2016 / ZCVRB3622- #10674**

Determine whether face of fireplace will be:

- Flush with finished wall (e.g., for surround, cultured stone or other non combustible covering).
- Flush with framing (to be covered with concrete board for a Flat Wall appearance).

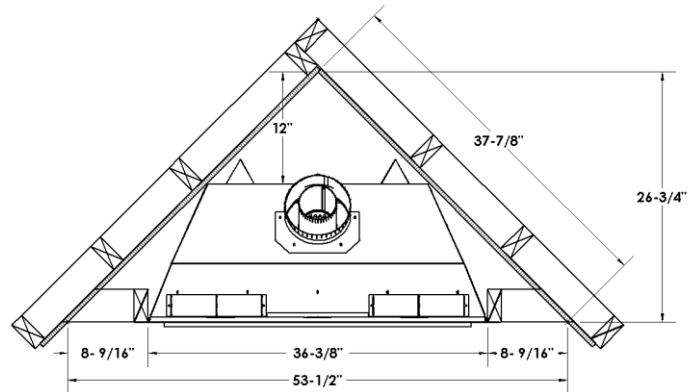
Refer to Nailing Tab Guide section also.

These structures are not load bearing.

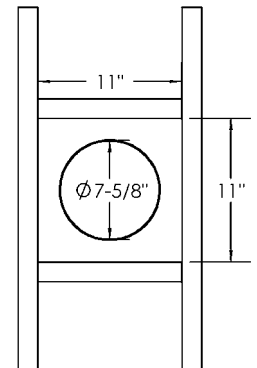


NOTE: See *Nailing Tab Guide* section also.

Clearance to Combustibles	ZCV3622 / ZCVRB3622
Front	36" [92cm]
Back (from Stand-offs)	0" [0cm]
Side (from Stand-offs)	0" [0cm]
Floor*	0" [0cm]
Minimum Ceiling Height (from bottom of fireplace)	60"
Top (from Stand-offs)	0" [0cm]
Top of 90° Bend in minimum Enclosure of 60"	2-1/2" [6.35cm]
VENTING SYSTEMS	
Top of Horizontal Pipe	1 1/2" [3.8cm]
Side & Bottom of Horizontal Pipe	1" [2.5cm] All Vent Systems
Vertical Vent Pipe	1" [2.5cm] All Vent Systems



Framing for Horizontal Vent Termination
(See **Installation of Side Wall Venting Section**)



*Note: If appliance is installed directly on carpeting or other combustible material other than wood flooring, a metal or wood panel extending the full width and depth of the appliance must be used. Carpet may extend 1 inch above the floor of the appliance.

LOW ENCLOSURE

ZCV3622 / ZCVRB3622 Framing Dimensions and Clearances

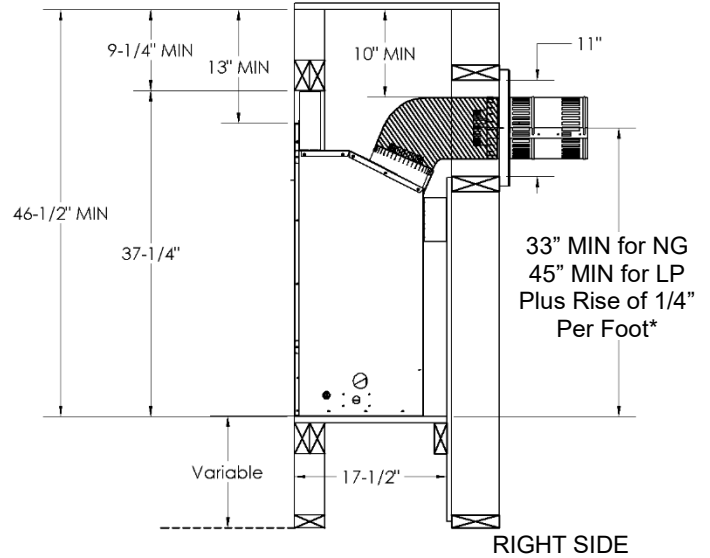
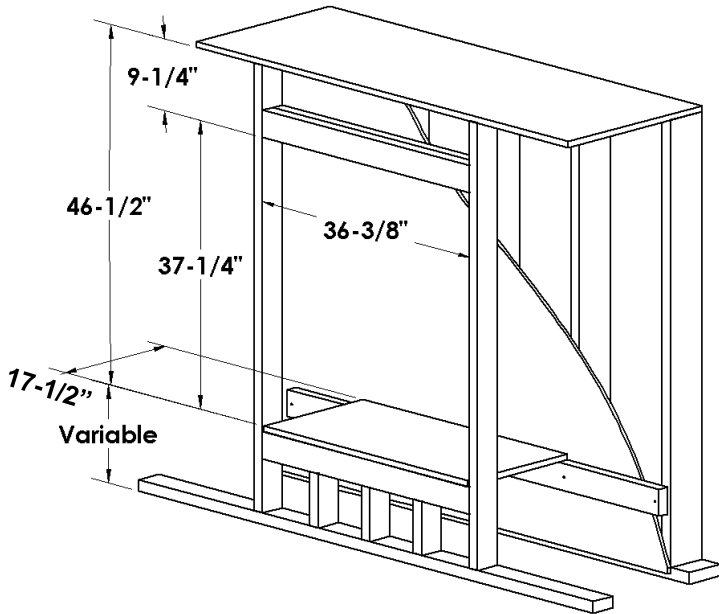
-With Factory Installed Flue Restrictor Removed-

RESTRICTOR MUST BE REMOVED BEFORE INSTALLATION

NOTE: Units above the following Serial Numbers will have the Flue Restrictor: **ZCV3622 #2016 / ZCVRB3622- #10674**
 Determine whether face of fireplace will be:

- Flush with finished wall (e.g., for surround, cultured stone or other non-combustible covering).
- Flush with framing (to be covered with concrete board for a Flat Wall appearance).

Refer to Nailing Tab Guide section also. **These structures are not load bearing.**



NOTE: See *Nailing Tab Guide* section also.

***For Propane Horizontal installations the venting must be an additional one foot above the minimum vertical rise off the flue before going horizontal.**

Clearance to Combustibles	ZCV3622 / ZCVRB3622
Front	36" [92cm]
Back (from Stand-offs)	0" [0cm]
Side (from Stand-offs)	0" [0cm]
Floor*	0" [0cm]
Minimum Ceiling Height (from bottom of fireplace)	46-1/2"
Top (from Stand-offs)	0" [0cm]
Top of 90° Bend in minimum Enclosure of 46-1/2"	10" [25.4cm]
Top of 90° Bend in minimum Enclosure over 46-1/2"	10" [25.4cm] *See Chart on right
VENTING SYSTEMS	
Top of Horizontal Pipe	1/1/2" [3.8cm]
Side & Bottom of Horizontal Pipe	1" [2.5cm] All Vent Systems
Vertical Vent Pipe	1" [2.5cm] All Vent Systems

*Note: If appliance is installed directly on carpeting or other combustible material other than wood flooring, a metal or wood panel extending the full width and depth of the appliance must be used. Carpet may extend 1 inch above the floor of the appliance.

RESTRICTOR REMOVAL

(Restrictor must be removed)

For Low Enclosure Framing.

Restrictor is inside 4" flue.
Use a 1/8" Drill to remove rivet.

*Clearance to Top of 90° bend can be reduced by 1" for every 2" increase in height to a minimum of 2"

Enclosure Height	Top of 90° Bend
46-1/2"	10"
48-1/2"	9"
50-1/2"	8"
52-1/2"	7"
54-1/2"	6"
56-1/2"	5"
58-1/2"	4"
60-1/2"	3"
62-1/2"	2"
(and Above)	

Seal rivet hole after removing rivet.

Lowest enclosure possible
For Propane is 58"
 Min Term Height = 45"
 Top of Pipe = 49"
 9" Clearance = 58"
Minimum Enclosure Height
for Propane is 58"

ZCV3622 / ZCVRB3622

Facing Requirements

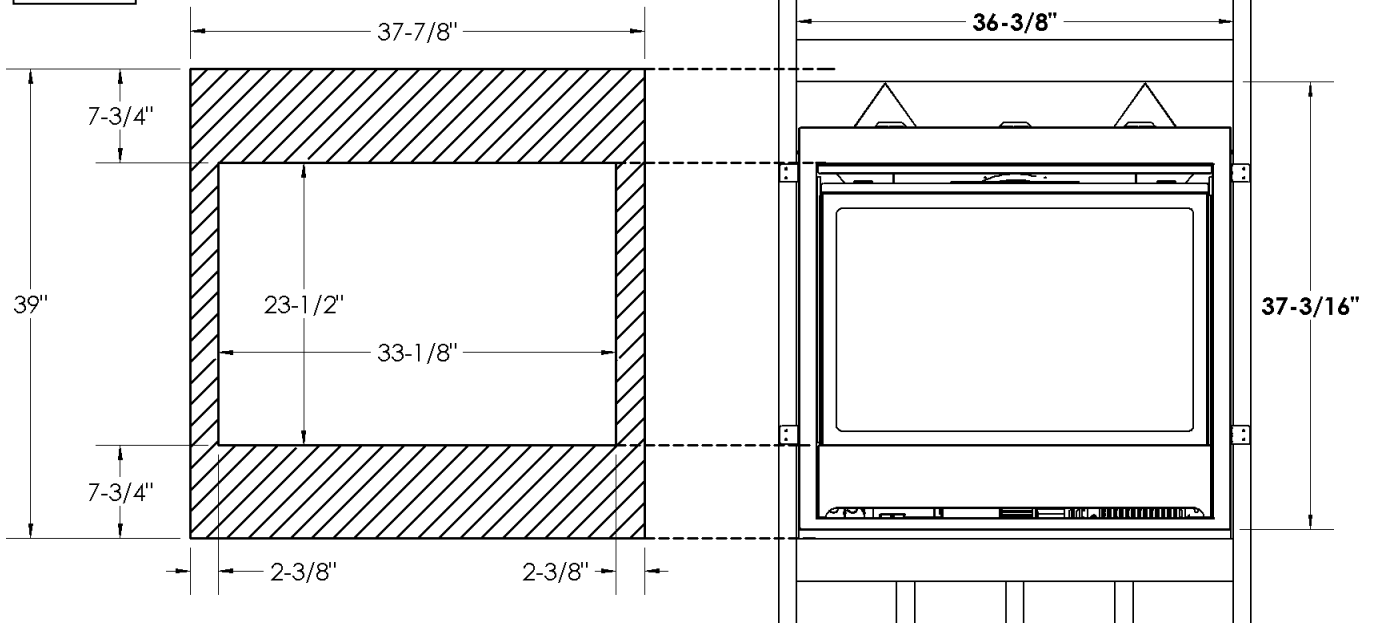
Required Non-Combustible Areas- If you are covering the face of the fireplace:

Combustibles (i.e. Drywall) may be installed up to edge of fireplace only.

NOTE: MATERIALS COVERING THE FACE OF THE FIREPLACE MUST BE NON-COMBUSTIBLE

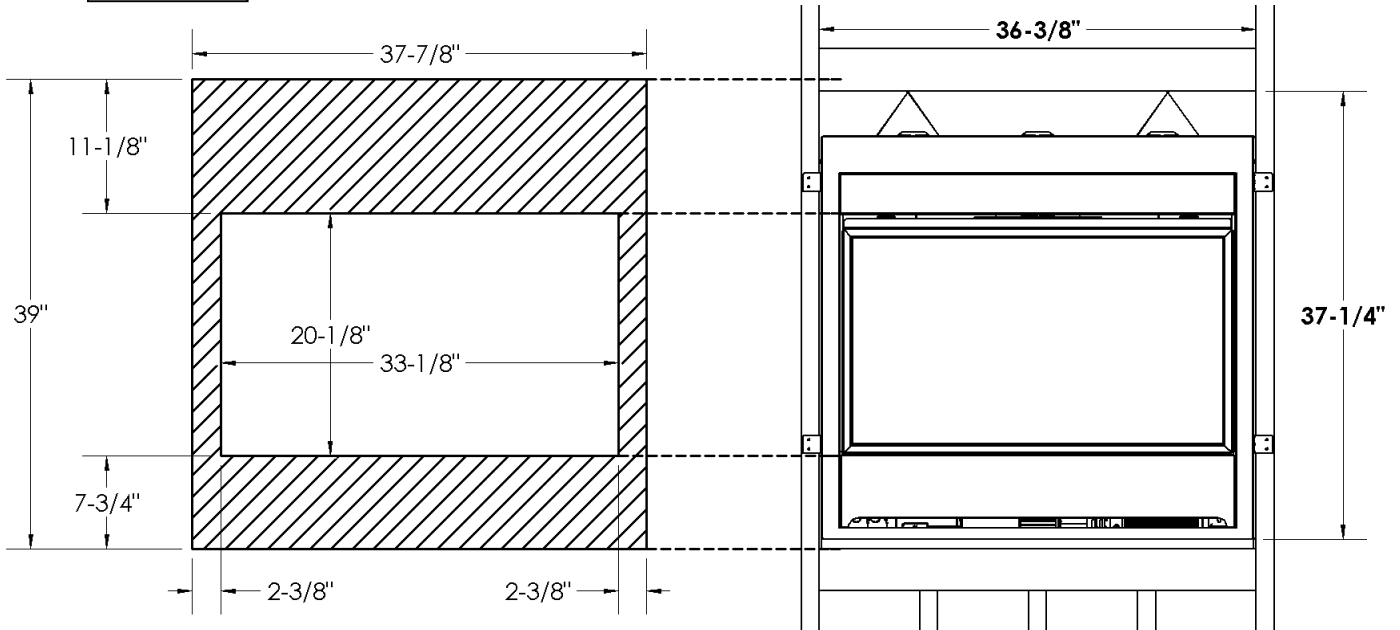
It is also recommended (but optional) to attach Non-combustible facing to framing. Dimensions for doing this are shown below.

ZCV3622



Note: Do not drive excessively long screws into the face of the unit as internal parts may be damaged.

ZCVRB3622

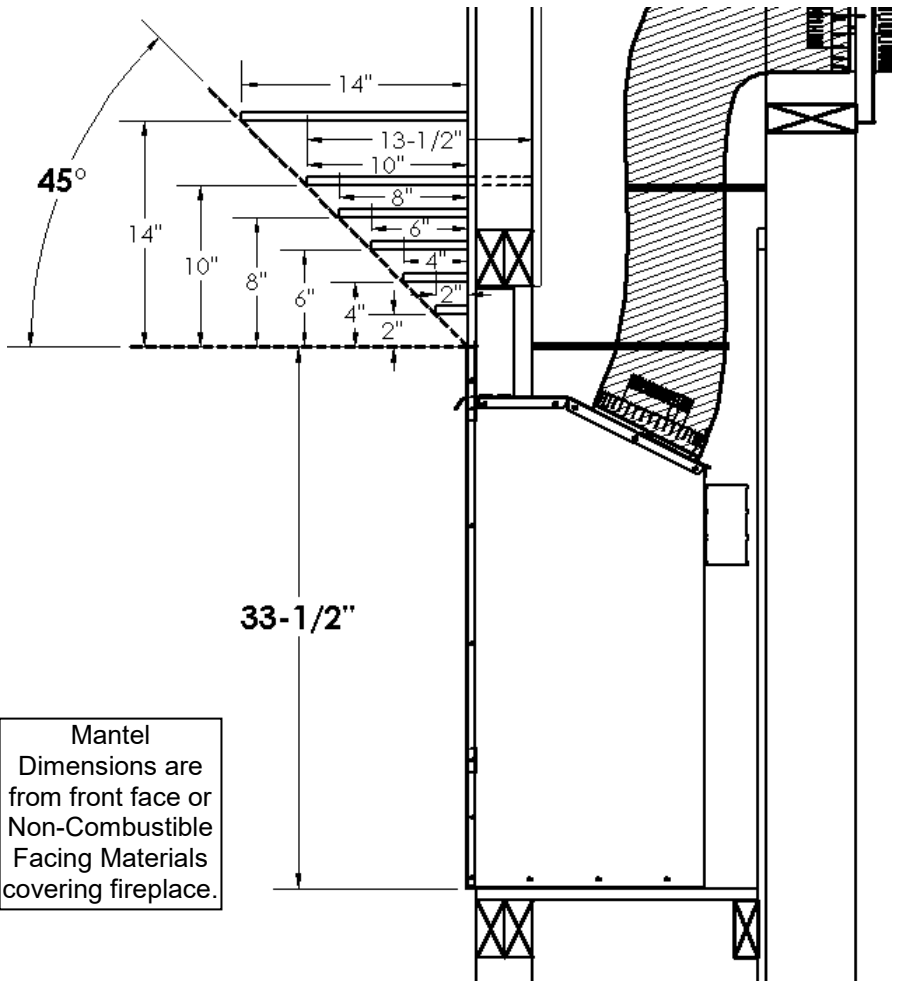


Before installing any mantels it is important to determine the combustibility of its material(s). There are two types of mantels to consider: Combustible and Non-Combustible.

A **Combustible Mantel** is one that consists of material(s) that may discolor, combust, or lose its integrity in the presence of heat. These types of mantels must strictly conform to the dimensional requirements shown.

Conversely, a **Non-Combustible Mantel** is one that is constructed with material(s) that will not combust. Check your local codes and regulations to determine whether your mantel is combustible or Non-Combustible.

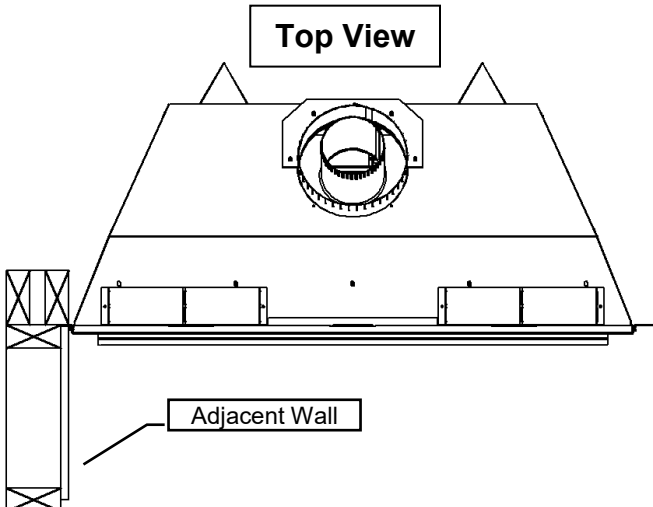
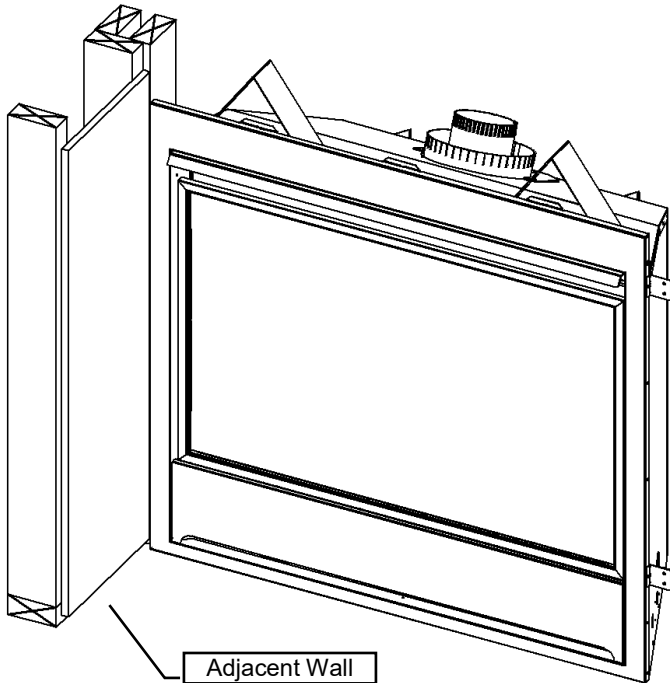
The advantage to Non-Combustible Mantels is that it may extend right up to the tile lip of the fireplace. Combustible mantels must adhere to the dimensional restrictions shown.



Mantel Dimensions are from front face or Non-Combustible Facing Materials covering fireplace.

⚠️-Combustible Objects on Non-Combustible Mantel Warning-
 Combustible objects must not be placed on a Non-combustible Mantel unless the mantel meets the dimensional requirements for a Combustible Mantel. Determine whether your mantel conforms to the requirements of a Combustible Mantel.

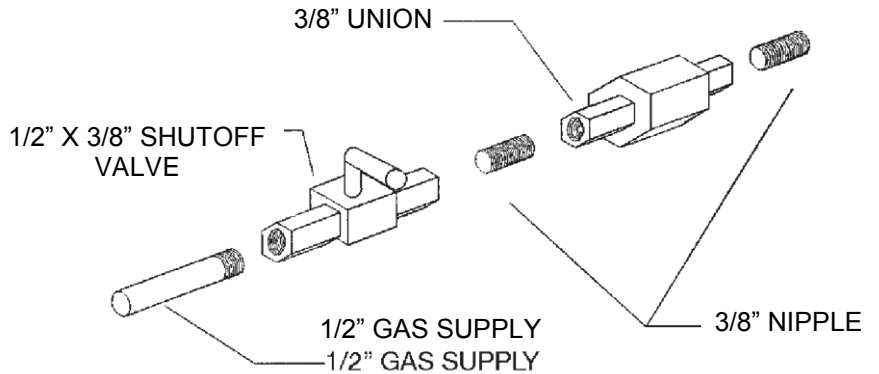
Mantel Leg Clearances



Gas Line Installation

This gas appliance should be installed by a qualified installer in accordance with local building codes and with current CAN/CGA - B149.1 or .2 installation codes for Gas Burning appliances and equipment in Canada and the National Fuel Gas Code ANSI Z223 in the U.S.A.

1. The gas pipeline can be brought in through either the right or the left side of the appliance. A knockout is provided at either location to allow for the gas pipe installation and testing of any gas connection.
2. The gas control inlet is 3/8" NPT. Typical installation layout for rigid pipe is shown at right.
3. When using copper or flex connector, use only approved fittings. Always provide a union so that gas line can be easily disconnected for burner or fan servicing. See gas specification for pressure details and ratings.
4. When a vertical section of gas pipe is required for the installation, a condensation trap is needed. See CAN/CGA-B149.1 or .2 for code details.



5. For natural gas, a minimum of 3/8" iron pipe with gas minimum pressure of 4.5" w.c. must be used for supply from the gas meter. Consult with the local gas utility if any questions arise concerning pipe sizes.
6. A 1/8" NPT plugged tappings are accessible for test gauge connection both on the inlet and outlet of the gas valve.
7. Turn the gas supply ON and check for leaks. **DO NOT USE OPEN FLAME FOR THIS PURPOSE.** Use an approved leak testing solution.
8. The appliance and its individual shutoff valve must be disconnected from the gas supply piping system during any pressure testing of that system at test pressures in excess of 1/2 PSIG (3.5 KPa).
9. The appliance must be isolated from the gas supply piping system by closing its individual shutoff valve during any pressure testing of the gas supply piping system at test pressures equal to or less than 1/2 PSIG (3.5 KPa).

NOTE: The gas line connection may be made of 1/2" rigid pipe or an **Approved Kingsman Flex Connector, such as FP15GC.** Since some municipalities have additional local codes, it is always best to consult your local authorities and the current CAN/CGA - B149.1 or .2 installation code in Canada or the National Fuel Gas code ANSI Z223.1 in the U.S.A

For the state of Massachusetts a T-handle gas shut-off valve must be used on a gas appliance. This T-handle gas shut-off valve must be listed and approved by the state of Massachusetts. This is in reference to the state of Massachusetts state code CMR238.

Important: Always check for gas leaks with a soap and water solution. Do not use open flame for leak testing.

Gas Specifications

MODELS	ZCV3622N/NE	ZCV3622LP/LPE	ZCVRB3622N/NE	ZCVRB3622LP/LPE
Fuel	Natural	Propane	Natural	Propane
Gas Control	Millivolt / IPI	Millivolt / IPI	Millivolt / IPI	Millivolt / IPI
INPUT				
Maximum	18,000 BTU	18,000 BTU	17,500 BTU	17,500 BTU
Low	13,000 BTU	15,000 BTU	12,000 BTU	14,000 BTU
Orifice Size (0-4500ft)	#43	#54	#47	1.25mm
Air Shutter	3/16"	3/8" Open	1/16"	5/16" Open
Gas Inlet Size S.I.T. 820 Nova, 3/8" NPT				
Gas Supply Pressure	Minimum		Normal	Maximum
Natural Gas	5.5"		7"	9"
Propane	11"		11"	12"
Manifold Pressure	Natural Gas			Propane
Manifold Pressure High	3.5 IN. W.C./ .87 KPa			10 IN. W.C./2.61 KPa
Manifold Pressure Low	1.6 IN. W.C./ .40 KPa			6.3 IN. W.C./1.57 KPa

Millivolt System, Lighting, and Burner Control

FOR YOUR SAFETY READ BEFORE LIGHTING

WARNING: If you do not follow these instructions exactly, a fire or explosion may result causing property damage, personal injury or loss of life.

BEFORE LIGHTING

- | | |
|--|--|
| <p>A This appliance has a pilot which must be lighted by hand. When lighting the pilot, follow these instructions exactly.</p> <p>B Smell all around the appliance area for gas. Be sure to smell next to the floor because some gas is heavier than air and will settle on the floor.</p> | <ul style="list-style-type: none"> • Immediately call your gas supplier from a neighbour's phone. Follow the gas supplier's instructions. • If you cannot reach your gas supplier, call the fire department. <p>C Use only your hand to push or turn the gas control knob. Never use tools. If the knob will not push in or turn by hand, don't try to repair it. Call a qualified technician. Force or attempted repair may result in a fire or explosion.</p> <p>D Do not use the appliance if any part has been under water. Immediately call a qualified service technician to inspect the appliance and to replace any part of the control system which has been under water.</p> |
|--|--|

WHAT TO DO IF YOU SMELL GAS

- Do not try to light an appliance.
- Do not touch any electrical switch; do not use any phone in your building.

LIGHTING INSTRUCTIONS

- | | |
|--|---|
| <ol style="list-style-type: none"> 1. Stop! Read the safety information above this label. 2. Set the thermostat to lowest setting. 3. Turn off all electrical power to the appliance. 4. Locate valve under the burner assembly. 5. If the control knob is not already in the off position, i.e. the word "OFF" in the 9 o'clock position, then push in the gas control knob slightly and turn ⤵ clockwise to "OFF". NOTE: Knob cannot be turned from "PILOT" to "OFF" unless knob is pushed in slightly. Do not use force. 6. Wait five [5] minutes to clear out any gas. If you then smell gas. STOP! Follow "B" in the safety information above on this label. If you don't smell gas then go to the next step. 7. Now push in the control knob slightly and turn ⤵ counter-clockwise to the "PILOT" position. 8. Push in the control knob all the way and hold it. With the other hand push in the red igniter button until you hear a click. Now observe closely the pilot burner located on the rear center-left hand side of the main burner. | <p>If a flame has appeared then continue to depress the control knob for 20 seconds. If the flame did not appear then continue to depress the red igniter button every 5 seconds until a flame is established. NOTE: If after 30 seconds a flame has not yet been established then turn the control knob back to the off position and repeat steps 5, 6 & 7.</p> <ol style="list-style-type: none"> 9. Once the pilot has been established hold the control knob in the depressed position for approximately 25 seconds before releasing. If the flame goes out then repeat steps 7 and 8. <ul style="list-style-type: none"> • If the knob does not pop up when released, stop and immediately call your service technician or gas supplier. • If the pilot will not stay lit after several tries, turn the gas control to "OFF" and call your service technician. 10. Now turn the control knob to the "ON" position. The burner will not light unless the wall switch thermostat or remote control is turned "ON" or in the case of the thermostat there is a call for heat. 11. Close the access door and turn all electrical power back to the appliance. 12. The pilot must be turned off when the unit is not in use. |
|--|---|

TO TURN OFF THE APPLIANCE

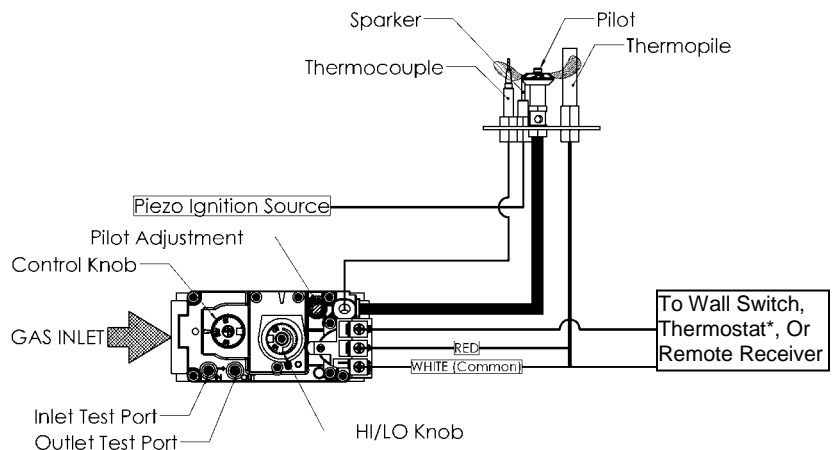
- | | |
|--|--|
| <ol style="list-style-type: none"> 1. Set the thermostat to lowest setting. 2. Turn off all electric power to the appliance if service is to be performed. 3. Open the control access door. | <ol style="list-style-type: none"> 4. Push in the gas control knob slightly and turn ⤵ clockwise to the "OFF" position. Do not force. 5. Replace control access panel. |
|--|--|

NOTE: Only one on/off device (manual on/off, remote control, or hard wired thermostat) should be connected to the appliance at any one time, this is most important when installing an insert or stove as the on/off rocker switch is installed at the factory.

Recommended Maximum Lead Length (Double Wire)
When Using Wall Switch or Thermostat

Wire Size	Max. Length
14ga	100ft [30.4m]
16ga	64ft [19.5m]
18ga	40ft [12.1m]
20ga	25ft [7.6m]
22ga	15ft [4.5m]

CAUTION: DO NOT WIRE 120V POWER TO MILLIVOLT SWITCHES OR THERMOSTAT.



*In the U.S.A. Thermostats are not permitted for Vented Gas Fireplaces (ANSI Z21.50b-2009 -Decorative).

Burner System Maintenance

It is recommended to annually inspect and clean the Burner System to prevent malfunction and / or sooting. This operation should be performed by your dealer or a qualified technician.

-CAUTION-

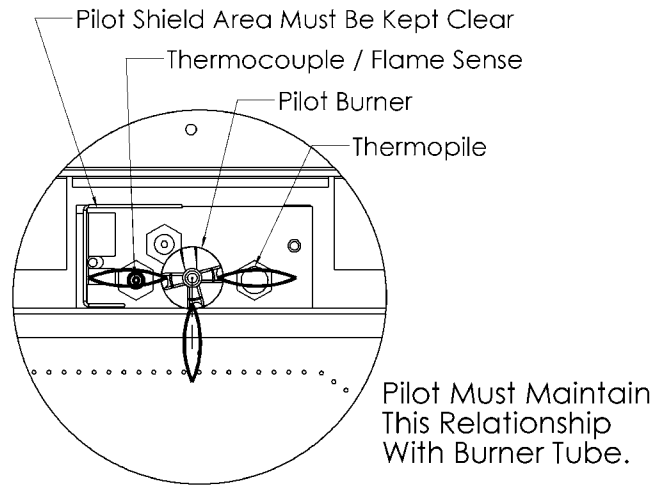
Before servicing the burner system ensure that the gas supply is turned OFF and disconnect all electrical connections to the appliance. Allow the appliance to cool to room temperature. Note that the pilot assembly may be hot in an intermittent or standing-pilot system—even if the main burner was never on. Exercise caution when working within the area.

-ALL WORK SHOULD BE PERFORMED BY A QUALIFIED AND CERTIFIED TECHNICIAN-

Monthly Flame Inspection

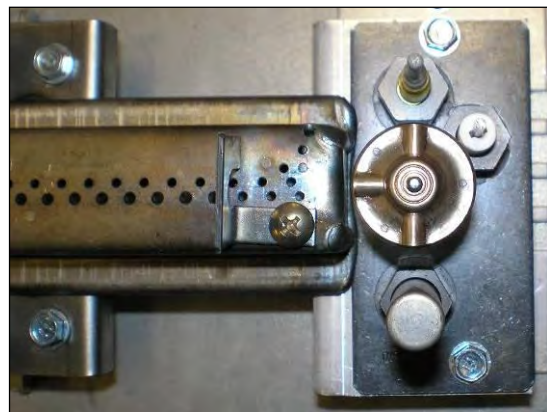
It is recommended to turn on the unit at least once a month and inspect the flame pattern to ensure there are no problems with the burner tube. The pilot flame should also be inspected monthly to ensure proper operation.

ZCV3622



Flame should appear similar to the above picture

ZCVRB3622



Flame should appear similar to the above picture

Pilot must maintain this relationship with burner.



Pilot Shield Must Not Be Covered.
Pilot Shield should be visually inspected monthly for signs of deterioration due to flame exposure.
Replace if necessary.

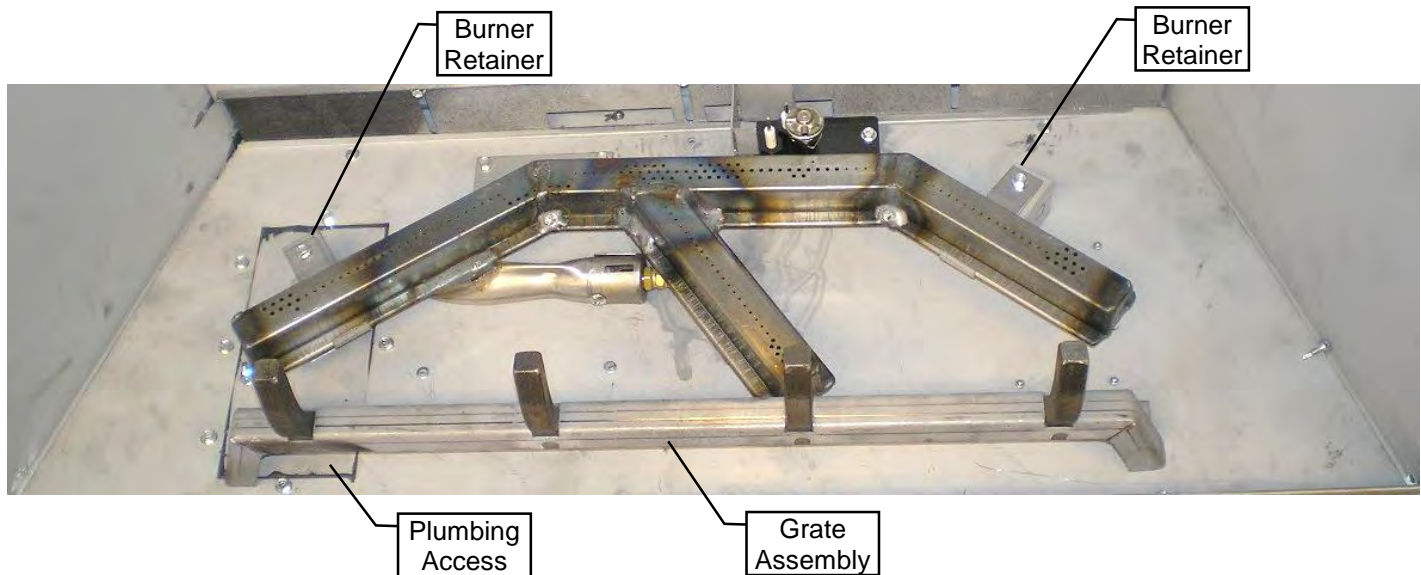
Conversion Kit Instructions – PART A

⚠ Caution: The gas supply shall be shut off prior to disconnecting the electrical power, before proceeding with the conversion.

IMPORTANT: Always check for gas leaks with a soap and water solution. DO NOT USE OPEN FLAME FOR LEAK TESTING.

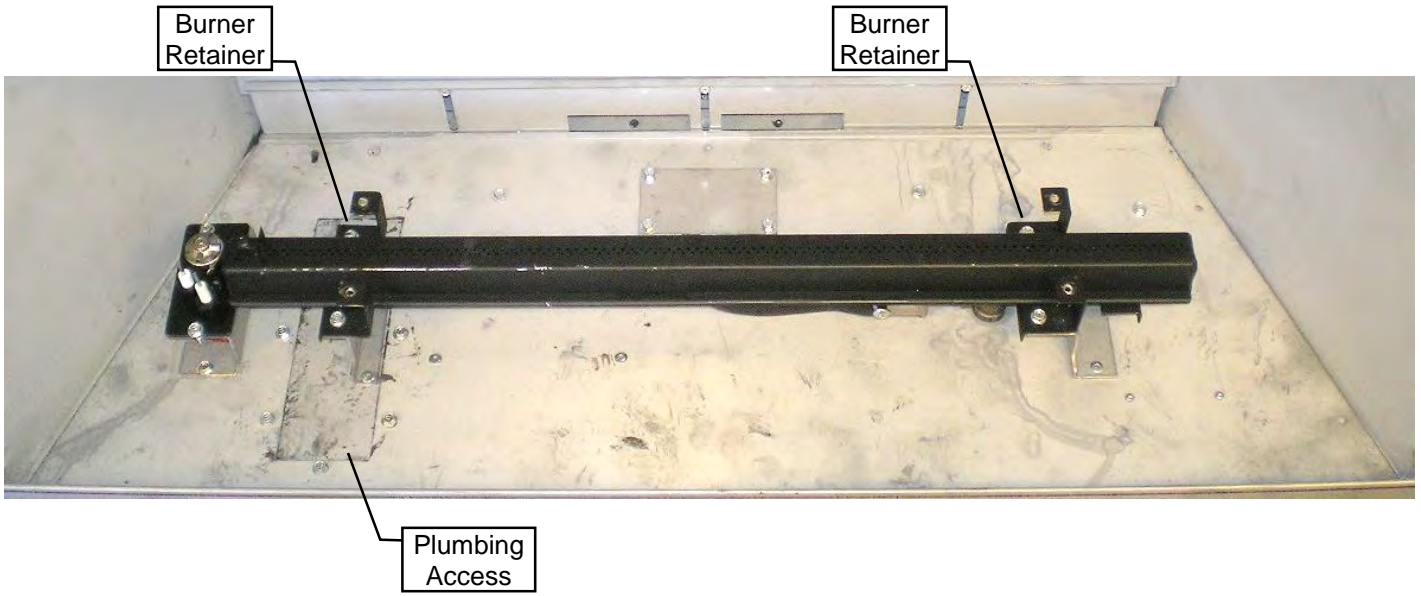
⚠ WARNING: This conversion kit shall be installed by a qualified service agency in accordance with the manufacturer's instructions and all applicable codes and requirements of the authority having jurisdiction. If the information in these instructions is not followed exactly, a fire, explosion or production of carbon monoxide may result causing property damage, personal injury or loss of life. The qualified service agency is responsible for the proper installation of this kit. The installation is not proper and complete until the operation of the converted appliance is checked as specified in the manufacturer's instructions supplied with the kit.

ZCV3622 Burner System Removal

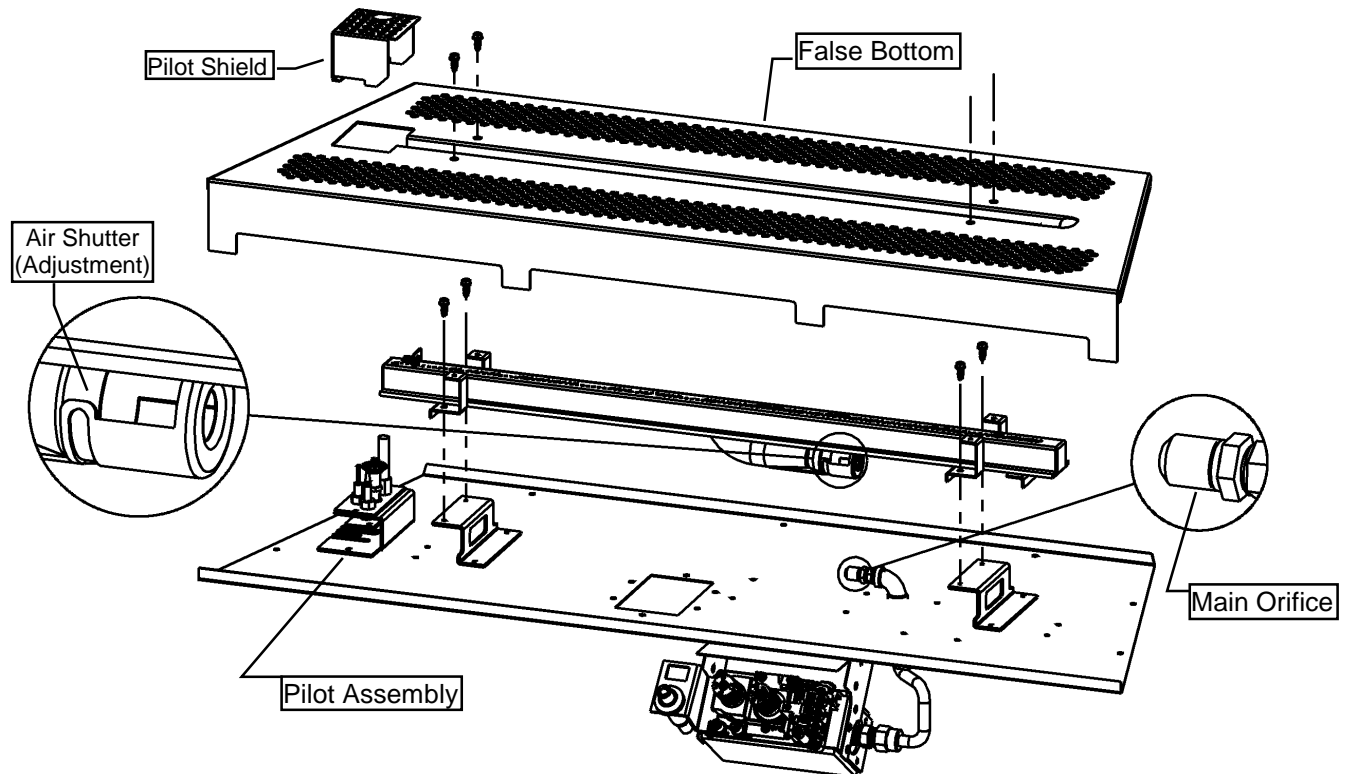


1. Remove Grate Bar assembly or optional Rock Platform by removing the two mounting screws, one from each side.
2. Remove Log Support Plates right and left of burner, log support plates are loose and not fastened in place.
3. Loosen screws from burner retainer tabs and slide burner to the left to remove from orifice.
4. Remove main orifice using a 1/2" wrench and replace with new conversion orifice.
5. Install new pilot orifice and Hi/Low valve regulator by following instructions supplied with conversion kit.
6. Adjust the primary air to the correct setting as specified in the manual or label plate. To adjust air setting, Loosen screw on the side of air mixing tube and rotate to the correct opening using a drill bit or tape measure. Tighten screw.
7. After converting parts to the new type of gas, reverse all steps to reassemble burner system.

ZCVRB3622 Burner System Removal



1. Remove four [4] screws holding down the false bottom. Remove the four [4] screws holding down the burner tube assembly.
2. Slide the burner tube towards the left to remove from orifice.
3. Remove main orifice using a 1/2" wrench and replace with new conversion orifice.
4. Install new pilot orifice and Hi/Lo valve regulator by following instructions supplied with conversion kit (also See Parts B & C).
5. Adjust the primary air setting to the correct setting as specified in the manual or label plate. To adjust air setting, loosen screw on the side of air mixing tube and rotate to the correct opening using a drill bit or tape measure. Retighten screw.
6. Reinstall false bottom and burner by reversing steps 1 & 2. Pilot Shield must be in placed over pilot assembly.



Conversion Kit Instructions – PART A

Kit Number	Description	Pilot Orifice	Burner Orifice Brass (1000-255)	Brass Nipple	Air Shutter	Hi/Lo Regulator
3622-CKLP	LP Conversion -Millivolt-	1001-P167SI #30 (977.167)	#54	1000-P201VE	3/8"	1001-P202SI (0.907.202)
3622-CKNG	NG Conversion -Millivolt-	1001-P165SI #51 (977.165)	#43	1000-P201VE	3/16"	1001-P201SI (0.907.201)
3622RB-CKLP	LP Conversion -Millivolt-	1001-P167SI #30 (977.167)	1.25mm	1000-P201VE	5/16"	1001-P202SI (0.907.202)
3622RB-CKNG	NG Conversion -Millivolt-	1001-P165SI #51 (977.165)	#47	1000-P201VE	1/16"	1001-P201SI (0.907.201)

3622 -CKLPI	LP Conversion -IPI -	1001-P168SI #35 (977.168)	#54	1000-P201VE	3/8"	1002-P014SI (0.907.014)
3622 -CKNGI	NG Conversion - IPI -	1001-P166SI #62 (977.166)	#43	1000-P201VE	3/16"	1002-P016SI (0.907.016)
3622RB-CKLPI	LP Conversion -IPI -	1001-P168SI #35 (977.168)	1.25mm	1000-P201VE	5/16"	1002-P014SI (0.907.014)
3622RB-CKNGI	NG Conversion - IPI -	1001-P166SI #62 (977.166)	#47	1000-P201VE	1/16"	1002-P016SI (0.907.016)

Refer to "**Gas Specifications Chart**" for inlet pressures and input ratings. Clock meter to verify input rate. Place conversion label as close to converted gas control as possible. Refer to lighting instructions to verify the normal operating sequence of the ignition system. **IMPORTANT:** Always check for gas leaks with a soap and water solution. **DO NOT USE OPEN FLAME FOR LEAK TESTING.**

⚠ -CAUTION-

Before servicing the burner system ensure that the gas supply is turned OFF and disconnect all electrical connections to the appliance. Allow the appliance to cool to room temperature. Note that the pilot assembly may be hot in an intermittent or standing-pilot system—even if the main burner was never on. Exercise caution when working within the area.

-ALL WORK SHOULD BE PERFORMED BY A QUALIFIED AND CERTIFIED TECHNICIAN-

Gas Conversion for Top Convertible Pilot (Series 019065X) – PART B

Instructions for converting SIT 190 series pilot burner injection from NG to LPG and from LPG to NG only. This information should be considered as supplemental to the Appliance Manufacturer's Instructions.

⚠ WARNING: The installation of this conversion kit must only be undertaken by a qualified and certified gas appliance installer.

1. Shut off the gas supply to the appliance.
2. Allow the pilot burner to cool to room temperature.
WARNING: Touching a hot pilot burner can result in injury.
3. The pilot hood is held in place by spring pressure. Remove the hood by pulling it directly up from the pilot bracket (a).
4. Insert a 5/32" or 4mm Allen wrench into the hexagonal key-way of the injector (b), and rotate it ⤵ counter-clockwise until it is free of the injector journal (c).
5. Verify that the new injector is proper for the application. The injector size is stamped on the side of the injector near the top. LPG injectors have a groove machined around their circumference near the top, while NG injectors do not have a groove (e). Refer to the Appliance Manufacturers instruction sheet for the proper injector size.
6. Insert the Allen wrench into the end of the injector. Then, insert into injector journal, and rotate the injector clockwise until a torque of 9 in-lbs is achieved.
7. Replace the pilot hood by aligning the tab on the base of the hood with the slot in the side of the pilot journal, and push the hood down, directly onto the pilot bracket (d). The hood must sit squarely on the bracket for proper operation. Check to insure that the hood is properly seated onto the pilot bracket.



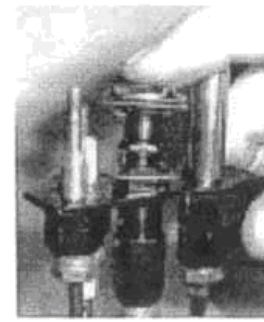
(a)



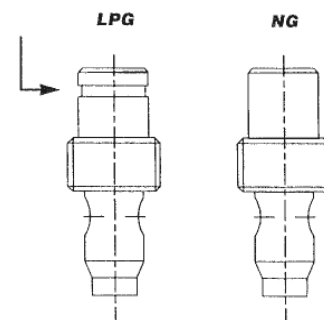
(b)



(c)



(d)



(e)



⚠ WARNING: This conversion kit must only be applied as part of a conversion kit supplied by the appliance Manufacturer for the specific appliance, and type of gas being converted.

INSTALLER NOTICE: These instructions must be left with appliance.

Gas Conversion for Top Convertible Pilot – Part B (series 0190XYZ)



Instructions for converting SIT 190 series pilot burner injector from NG to LPG and from LPG to NG only. This information should be considered as supplemental to the Appliance Manufacturer's Instructions.

WARNING!

The installation of this conversion kit must only be undertaken by a qualified and certified gas appliance installer.

1. Shut-off the gas supply to the appliance.
2. Allow the pilot burner to cool to room temperature.

WARNING: Touching a hot pilot burner can result in injury.

3. The pilot hood is held in place by spring. First remove the spring, then remove the hood by pulling it up from the pilot bracket (fig. 1).
4. Insert a 5/32" or 4 mm Allen wrench into the hexagonal key-way of the injector (fig. 2), and rotate it counter-clockwise until it is free of the injector journal.
5. Verify that the new injector is proper for the application. The injector size is stamped on the side of the injector near the top. LPG injectors have a groove machined around their circumference near the top, while NG injectors do not have a groove (fig. 4). Refer to the Appliance Manufacturer's instruction sheet for the proper injector size.
6. Insert the Allen wrench into the end of the injector. Then, insert the injector into injector journal, and rotate the injector clockwise until a torque of 9 lbf in (1.0 Nm) is achieved.
7. First replace the pilot hood by aligning the tab on the base of the hood with the slot in the side of the pilot journal, and push the hood down, onto the pilot bracket (fig. 3). The hood must sit squarely on the bracket for proper operation. Then replace the spring by pushing it on his seat (fig.3). Check to insure that the hood is properly seated onto the pilot bracket and that the spring is properly inserted onto his seat.
8. Restore the gas supply to the appliance, and ignite the pilot burner. Verify proper ignition and operation.



fig. 1

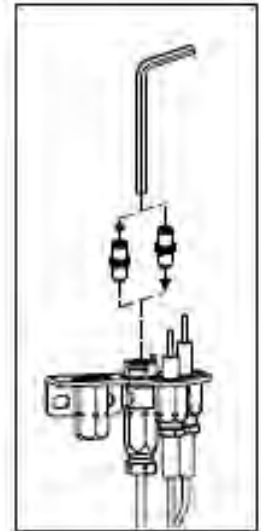


fig. 2



fig. 3

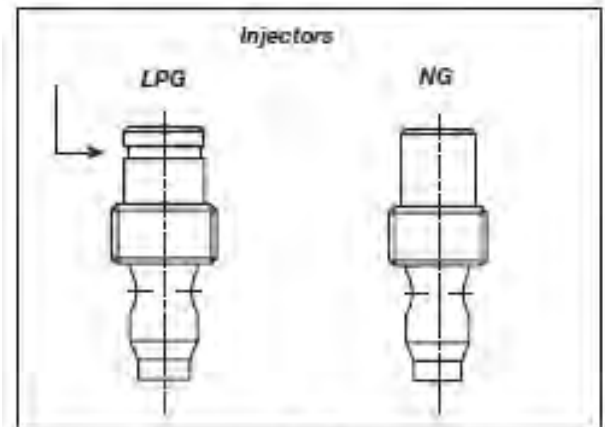


fig. 4

WARNING!

This conversion kit must ONLY be applied as part of a conversion kit supplied by the APPLIANCE MANUFACTURER for the specific appliance, and type of gas, being converted.



SIT GROUP

www.sitgroup.it

installation instructions

7.252.136

820 NOVA mV

Modulating Conversion Kit

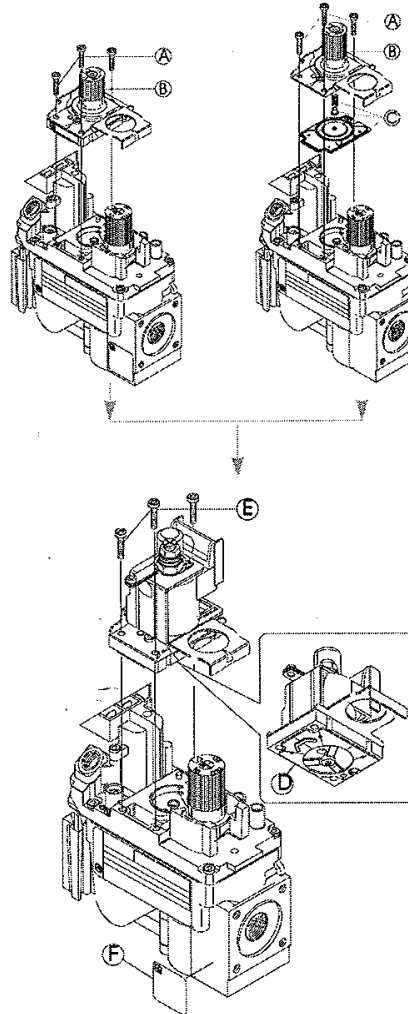


WARNING!

The installation of this conversion kit must only be undertaken by a qualified and certified gas appliance installer.

MODULATING PRESSURE REGULATOR CONVERSION KIT INSTALLATION OR REPLACEMENT INSTRUCTIONS.

- 1 Turn control knob to the OFF position, and shut off the gas supply to the valve.
- 2 Using a Torx T20, or slotted screwdriver, remove and discard the three pressure regulator mounting screws (A), pressure regulator tower (B), and the spring and diaphragm assembly (C).
(If applicable)
- 3 Insure that the rubber gasket (D) is properly positioned and install the new modulating pressure regulator assembly to the valve using the new screws (E) supplied with the kit. Tighten screws securely.
(Reference torque = 25 In.Lb.)
- 4 Install the enclosed identification label (F) to the valve body where it can be easily seen.
- 5 Apply gas to system and re-light appliance according to manufacturers instructions.
- 6 With the main burner "ON", test the new pressure regulator assembly for leaks using a soap solution.
- 7 Relight the main burner in both the HI and LO positions, and verify proper burner ignition and operation.



WARNING!

This modulating conversion kit must ONLY be applied as part of a conversion kit supplied by the APPLIANCE MANUFACTURER for the specific appliance, and type of gas, being converted.

INSTALLER NOTICE. These instructions must be left with appliance.



SIT Group

IPI Electronic Ignition System

Overview

The IPI system is an advanced burner controller that provides you with the option of having either a Standing-Pilot, or an intermittent igniting system. This alternating mode is controlled by the CPI/IPI Switch (Continuous Pilot Ignition/Intermittent Pilot Ignition) located on the IPI System Box. The difference between a Standing-Pilot and an Intermittent-Pilot is in whether the pilot stays lit or shuts off:

In Standing-Pilot, the pilot assembly is lit by the IPI Main Module and continues to stay lit until 1) the CPI/IPI Switch is switched to the IPI position; 2) a loss of electrical power (battery and AC source), 3) the flame sensor loses its signal, 4) the fuel supply discontinues, or 5) the IPI Main Module malfunctions.

In the Intermittent-Pilot mode, the pilot shuts off when the appliance is not in use. The advantage of this mode is that fuel is not consumed when the fireplace is not operating.

NOTE: In some jurisdictions Intermittent-Pilot is required. That means the pilot cannot remain lit when the appliance is not operating.

Components

The core of the IPI system is the Main Module and the IPI Valve. With these two components the system is able to operate a gas fireplace. There are also other components available to complement the IPI system.

IPI System Cover: Is essential in keeping the components at their proper operating temperatures. **DO NOT OPERATE THE APPLIANCE WITHOUT THIS COVER.**

Modulating Servo Motor: Is an add-on valve component that permits HI/LO functionality to be controlled by the remote. Contrary to this feature is a Manual HI/LO Control Knob. The Modulating Servo Motor requires the Remote system to be present.

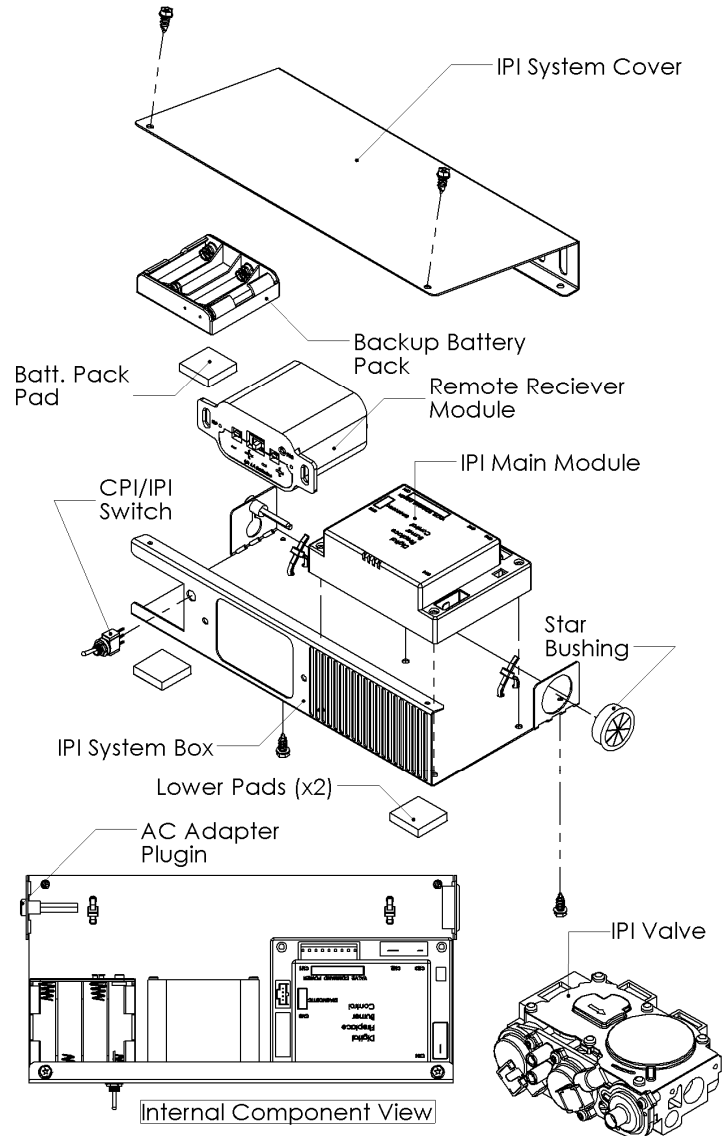
Backup Battery Pack: This component permits the IPI system to operate without the need for an external AC Adapter power source. The advantage to using the battery backup is that in the case of a power failure, the appliance is still operable.

NOTE: In certain instances the IPI Main Module requires resetting. This can occur if the system is unable to ignite the pilot or the main burner in the allotted time period. The IPI is programmed to lockout all commands. To reset this lockout you must deplete the system of all electrical power. This means to remove the batteries from the Battery Pack, remove the batteries from the Remote Receiver (if applicable), and disconnect the AC Adapter from the system. Leave the power off for approximately 25 seconds to clear its lockout.

Remote Receiver: This component provides the capability of controlling the appliance with a wireless remote transmitter.

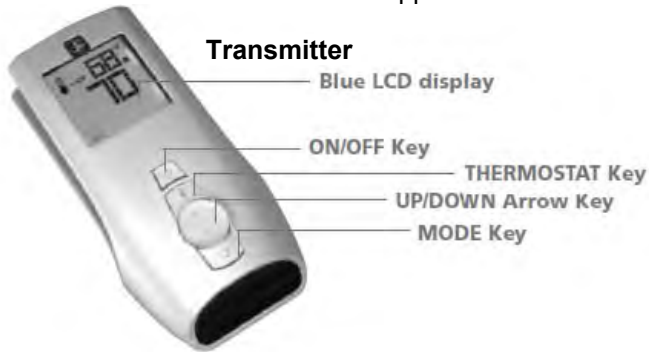
Standing Pilot Mode for Colder Climates (Below Freezing)

For IPI models it may be necessary to set the appliance to Standing Pilot mode to maintain heat in the cavity. The purpose of this procedure is to prevent cold air from penetrating the chimney and then onto the living space. Therefore, when the internal temperature is slightly elevated the fireplace is able to freely exhaust its combustion and hence making it easier to startup.



-Remote Control Operation-

The Proflame GTM is configured to control the on/off main burner operation, its flame levels, and provides on/off and Smart thermostatic control of the appliance.



Transmitter

The Transmitter is powered by 3 AAA type batteries. A Mode Key is provided to Index between the features and a Thermostat Key is used to turn on/off or index through thermostat functions

Remote Receiver

The Receiver connects directly to the gas valve and stepper motor with a wiring harness. The Receiver is powered by 4 AA type batteries. The Receiver three position slider switch can be set to one of three positions: ON (Manual Override), Remote (Remote control) or Off.

Initializing the System for the first time

Install 4 AA batteries into the receiver battery bay. Install 3 AAA type batteries in the Transmitter battery bay. Place the 3 position slider switch in the "Remote" position. Insert the end of a paper clip into the hole marked "PRG" on the Receiver front cover. The Receiver will "beep" three (3) times to indicate that it is ready to synchronize with a Transmitter. Push the On button. The Receiver will "beep" four times to indicate the Transmitter's command is accepted. The system is now initialized.

Temperature indication Display

With the system in the "OFF" position, press the Thermostat Key and the Mode Key at the same time. Look at the LCD screen on the Transmitter to verify that a C or F is visible to the right of the Room Temperature display.

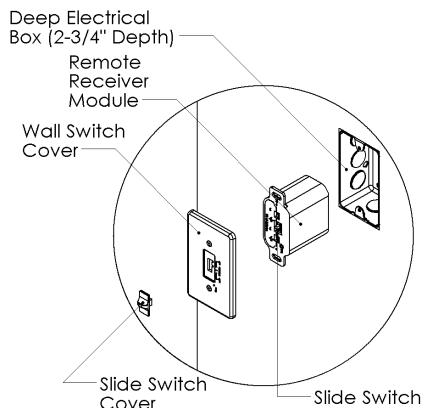
Turn the Appliance On or Off

Press the ON/OFF Key on the Transmitter

Remote Flame Control

The Proflame GTM has six (6) flame levels. Pressing the Down Arrow Key once will reduce the flame height by one step until the flame is turned off. The Up Arrow Key will increase the flame height each time it is pressed. If the Up Arrow Key is pressed while the system is on but the flame is off, the flame will come on in the high position.

NOTE: The Remote Receiver module can also be located outside of the appliance to a maximum of 6ft away installed in a certified deep wall switch electrical box (2-3/4" depth). For this configuration an extension wiring harness (P/N: 1001-P904S1) is required.



Room Thermostat (Transmitter Operation)

The Remote Control can operate as a room thermostat. To activate this function, press the Thermostat Key. The LCD display on the Transmitter will change to show that the room thermostat is "ON" and the set temperature is now displayed. To adjust the set temperature, press the Up or Down Arrow Keys until the desired set temperature is displayed on the LCD screen of the Transmitter.

Smart Thermostat (Transmitter Operation)

The Smart Thermostat function adjusts the flame height in accordance to the difference between the set point temperature and the actual room temperatures. As the room temperature gets closer to the set point the Smart Function will modulate the flame down. To activate this function, press the Thermostat Key until the word "SMART" appears to the right of the temperature bulb graphic. To adjust the set temperature, press the Up or Down arrow Keys until the desired set point temperature is displayed.

Key Lock Function

This function will lock the keys to avoid unsupervised operation. To activate this function, press the MODE and the UP Arrow Key at the same time. To de-activate this function, press the MODE and the UP Arrow Key at the same time.

Low Battery Detection

Transmitter - When the Transmitter batteries are low, a Battery Icon will appear on the LCD display of the Transmitter.
Receiver - When the Receiver batteries are low, No "beep" will be emitted from the Receiver when it receives an On/Off command from the Transmitter. When the batteries are replaced the "beep" will be emitted from the Receiver when the ON/OFF Key is pressed (See Initializing the System for the first time).

Manual Bypass Of The Remote System

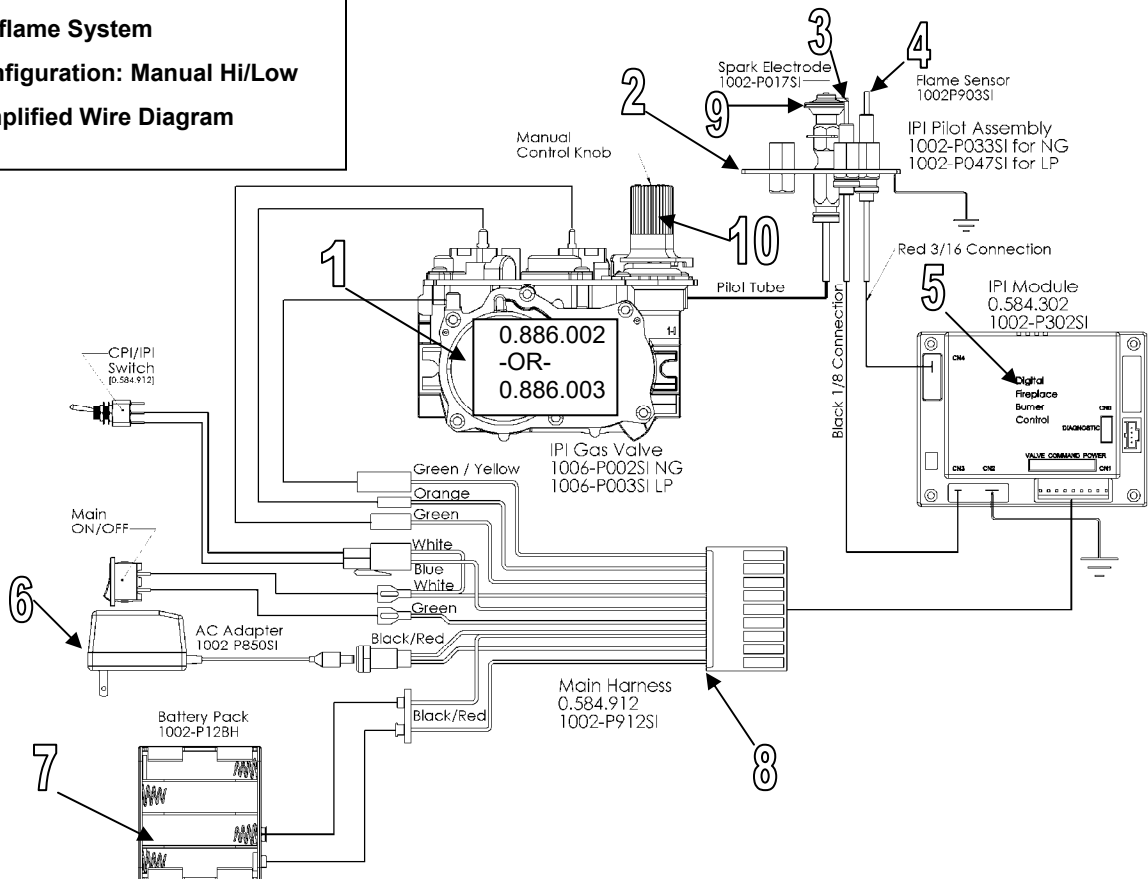
If the batteries of the Receiver or Transmitter are low or depleted, the appliance can be turned on manually by sliding the three position slider switch on the Receiver to the ON position. This will bypass the remote control feature and the appliance main burner will come on if the gas valve is in the "On" position.

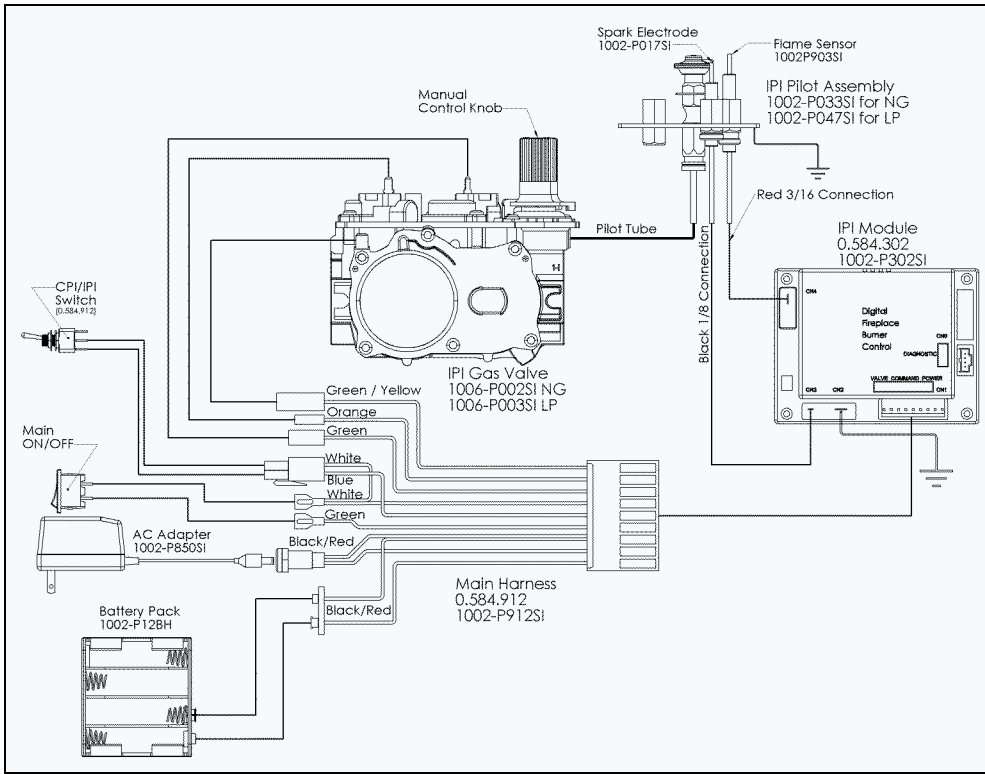
*In the U.S.A. Thermostats are not permitted for Vented Gas Fireplaces (ANSI Z21.50b-2009 -Decorative).,

IPI Electronic Ignition Parts List – Standard System

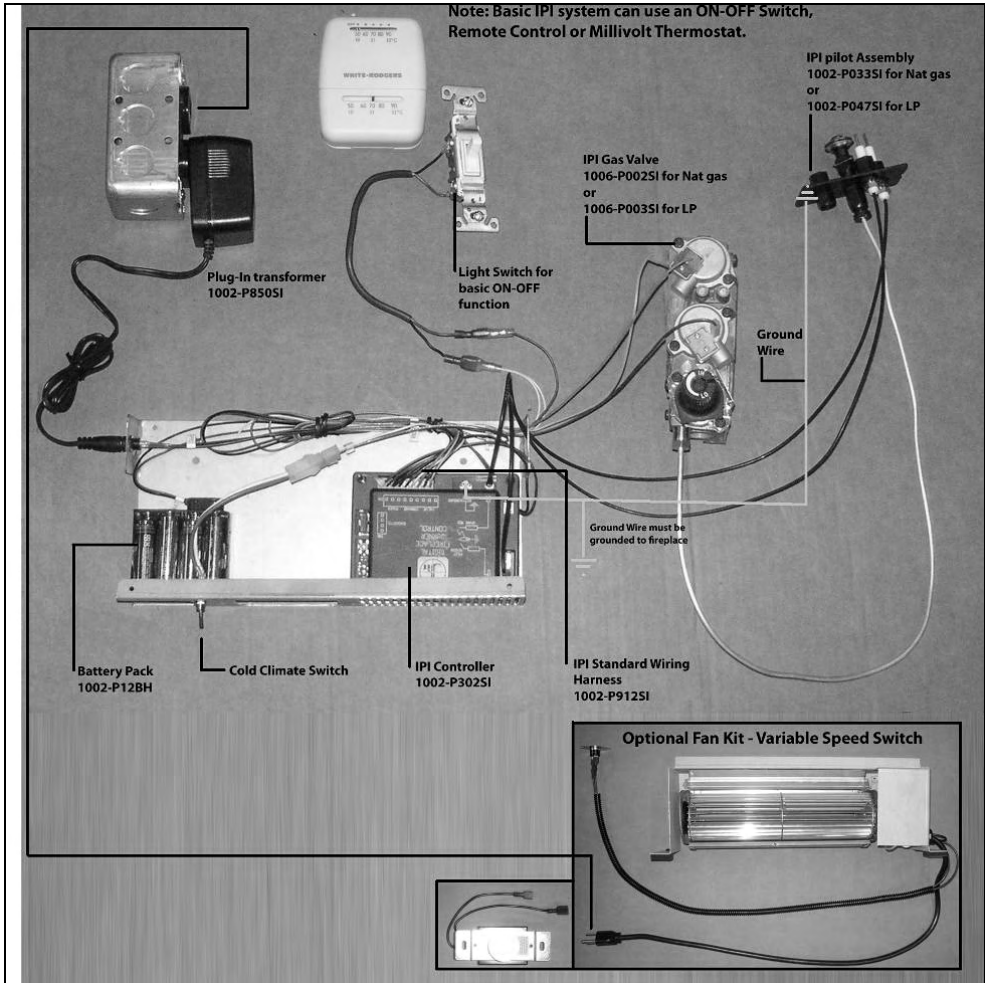
ITEM NO.	PART NO.	DESCRIPTION
1	1006-P002si	Valve IPI Hi/Lo NG
	1006-P003si	Valve IPI Hi/Lo LP
2	1002-P047si	Pilot Assembly-LP
	1002-P033si	Pilot Assembly-NG
3	1002-P017si	Spark Electrode (with wire)
	*1002-P119si	Spark Electrode (with wire- 35" Length)
4	1002-P903si	Electrode Flame Sensor
	*1002-P910si	Electrode Flame Sensor (35" Length)
5	1002-P302si	IPI Ignition Board
6	1002-P850si	AC Wall Adapter
7	1002-P12BH	Battery Pack
8	1002-P912si	Wiring Harness
9	1001-P166si	Orifice Pilot -NG#62
	1001-P168si	Orifice Pilot -LP#35
10	1002-P013si	Stepper Motor -NG
	1002-P012si	Stepper Motor -LP
	1002-P016si	Hi/Lo Regulator -NG
	1002-P014si	Hi/Lo Regulator -LP
*Models ZRB46E / MQRB4436E / MQRB5143E / MQRB6961E		

Proflame System
Configuration: Manual Hi/Low
Simplified Wire Diagram





Configuration #1: Basic manual HI/LO and manual ON/OFF capabilities.



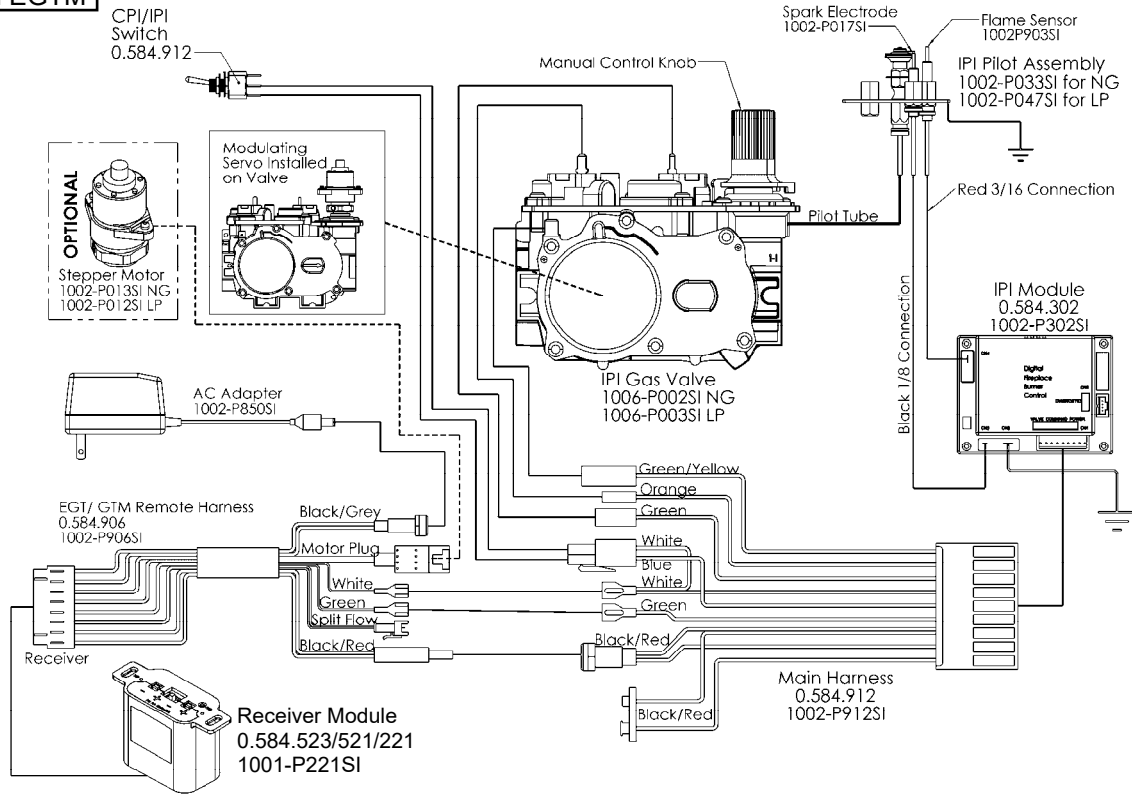
EGTM / GTM System -No Batteries

-Wiring Harness P/N 1002-P906si required.

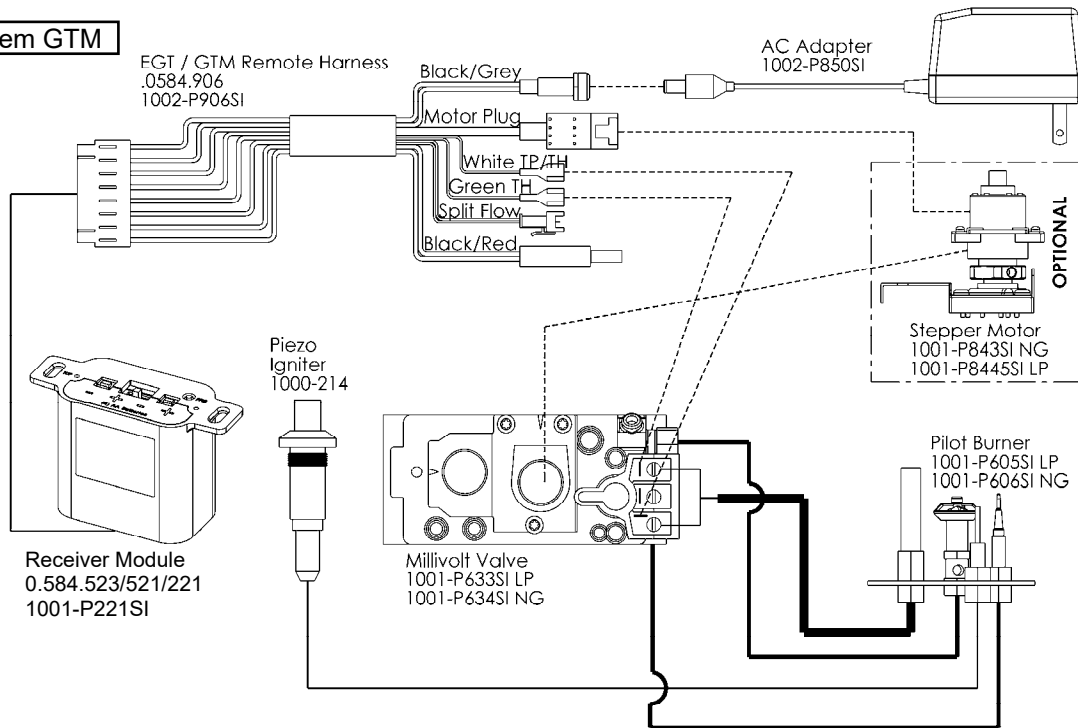
-Millivolt Systems will also require Power Adapter P/N 1002-P850si.

The Remote Receiver & IPI or Millivolt system can be powered by the AC Adapter. This is advantageous if you do not want to use batteries. Simply connect the AC Adapter into the Remote Control Wiring Harness as per the diagrams below.

IPI System EGTM



Millivolt System GTM



Electronic Ignition Lighting Instructions

WARNING

If you do not follow these instructions exactly, a fire or explosion may result causing property damage, personal injury or loss of life.

Always light the pilot whether for the first time or if the gas supply has ran out with the glass door opened or removed.



FOR YOUR SAFETY READ BEFORE LIGHTING:

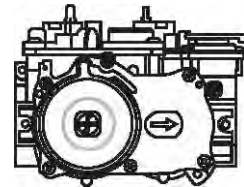
- A. This fireplace is equipped with an ignition device which automatically lights the pilot. Do not try to light by hand.
- B. Before operating smell all around the fireplace area for gas and next to the floor because some gas is heavier than air and will settle on the floor.
- C. Do not use this fireplace if any part has been under water. Immediately call a qualified service technician to inspect the fireplace and replace any part of the control system and any gas control which has been under water.

WHAT TO DO IF YOU SMELL GAS:

- Turn off all gas to the fireplace.
- Open windows.
- Do not try to light any appliance.
- Do not touch any electric switch; do not use any phone in your building.
- Immediately call your gas supplier from a neighbor's phone. Follow the gas supplier's instructions.
- If you cannot reach your gas supplier, call the fire department.

LIGHTING INSTRUCTIONS

1. Stop! Read the above safety information on this label.
2. Remove batteries from receiver, and/or Battery Backup Pack.
3. Turn off all electric power to the fireplace.
4. This fireplace is equipped with an ignition device which automatically lights the pilot. Do not try to light the pilot by hand.
5. Open the glass door.
6. Turn manual shutoff valve clockwise  to off (Located behind the access panel).
7. Wait five (5) minutes to clear out any gas. If you smell gas including near the floor, **STOP!** Follow "B" in the above safety information on this label. If you don't smell gas go to the next step.
8. Turn manual shutoff valve counter-clockwise  to on.
9. Close the glass door.
10. Turn on all electric power to the fireplace and re-install batteries into the Transmitter/Receiver, and/or Battery Backup Pack.
11. Turn "On" Switch that operates the Main Burner. If using a Remote Control refer to Remote Control Operation Manual for activation.



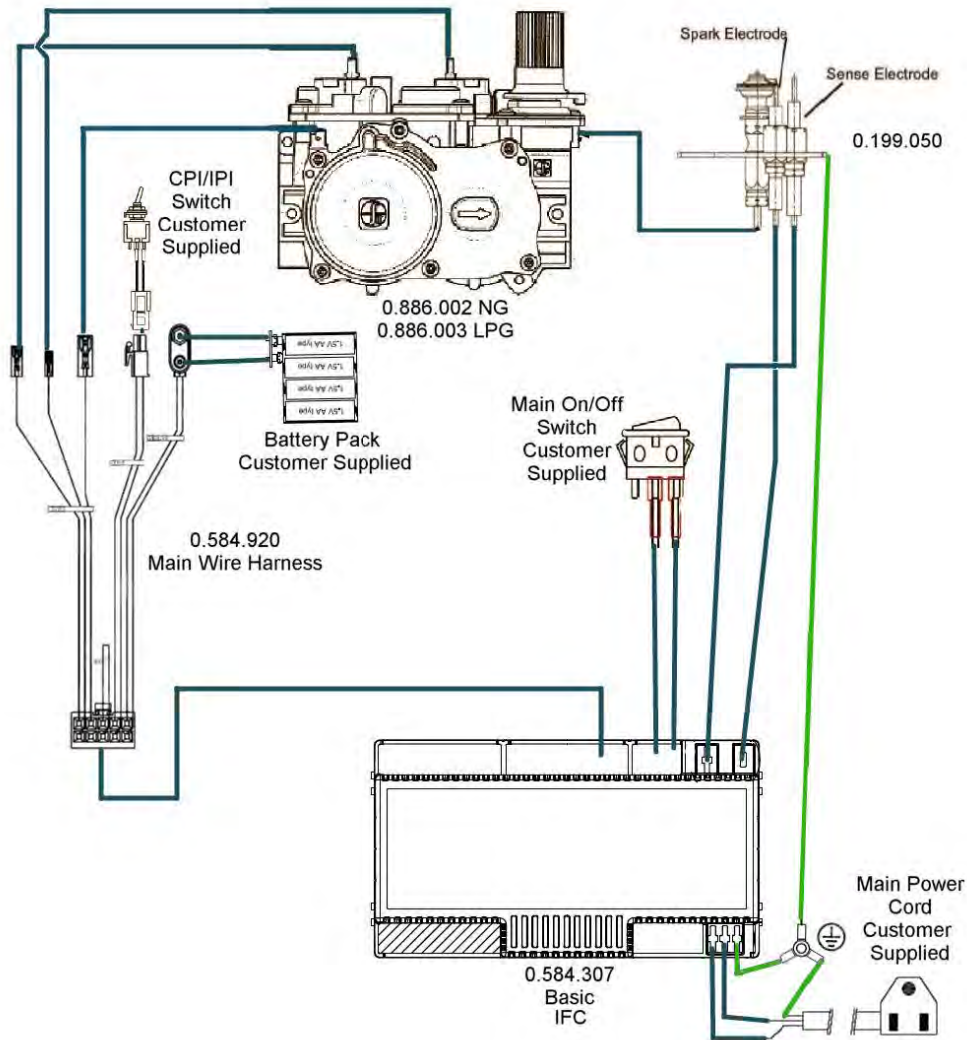
TO TURN OFF GAS

1. Turn off all electric power to the fireplace if service is to be performed, including removing batteries from Remote Transmitter/Receiver and/or Battery Backup Pack.
2. Access door inside the firebox must be removed to access the manual shutoff valve.
3. If alternate shut-off valve was installed it can be shutoff instead of going through the fireplace to access the fireplace shut off valve.

Proflame 2 Parts List

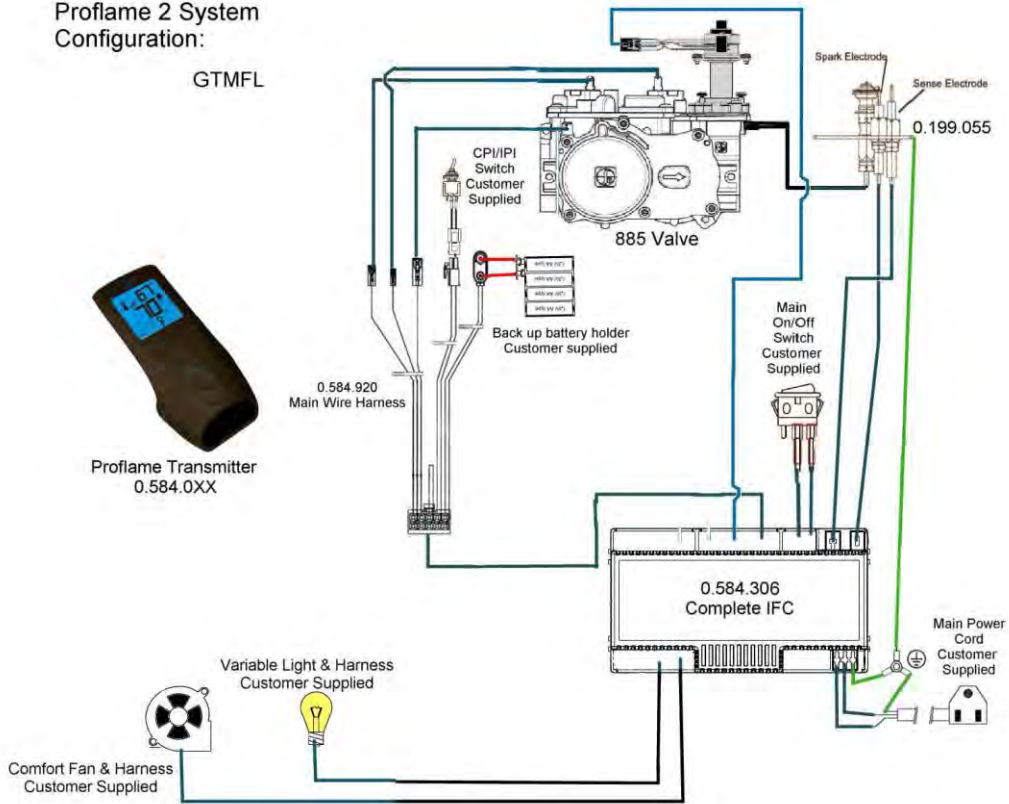
ITEM NO.	NO.	DESCRIPTION
1.	1006-P040si	Hand Held Transmitter with LCD display (GTMFSLA - Black) 0.584.040
2.	1006-P042si	Hand Held Transmitter with LCD display (GTMFL - Black) 0.584.042
3.	1006-P305si	Integrated Fireplace Control (Complete Power Vent Ready) 0.584.305
4.	1006-P306si	Integrated Fireplace Control (Complete No Power Vent) 0.584.306
5.	1006-P307si	Integrated Fireplace Control (Basic) 0.584.307
6.	1006-P103si	Battery/Switch box with slider switch & PRG button 0.584.103
7.	1006-P920si	Wire harness (Valve, APS connection Jumped, CPI connection) 0.584.920
8.	1006-P924si	Wire harness (Valve, APS & CPI connections Jumped) 0.584.924
9.	1006-P921si	Wire harness for Split flow 0.584.921
10.	1006-P922si	Wire harness for Battery/Switch box 0.584.922
11.	1006-P001si	Gas Control – Propane Gas 0.885.001
12.	1006-P002si	Gas Control – Natural Gas 0.885.002
13.	1006-P002si	Gas Control – Natural Gas 0.886.002
14.	1006-P003si	Gas Control – Propane Gas 0.886.003

Proflame 2
IFC Basic



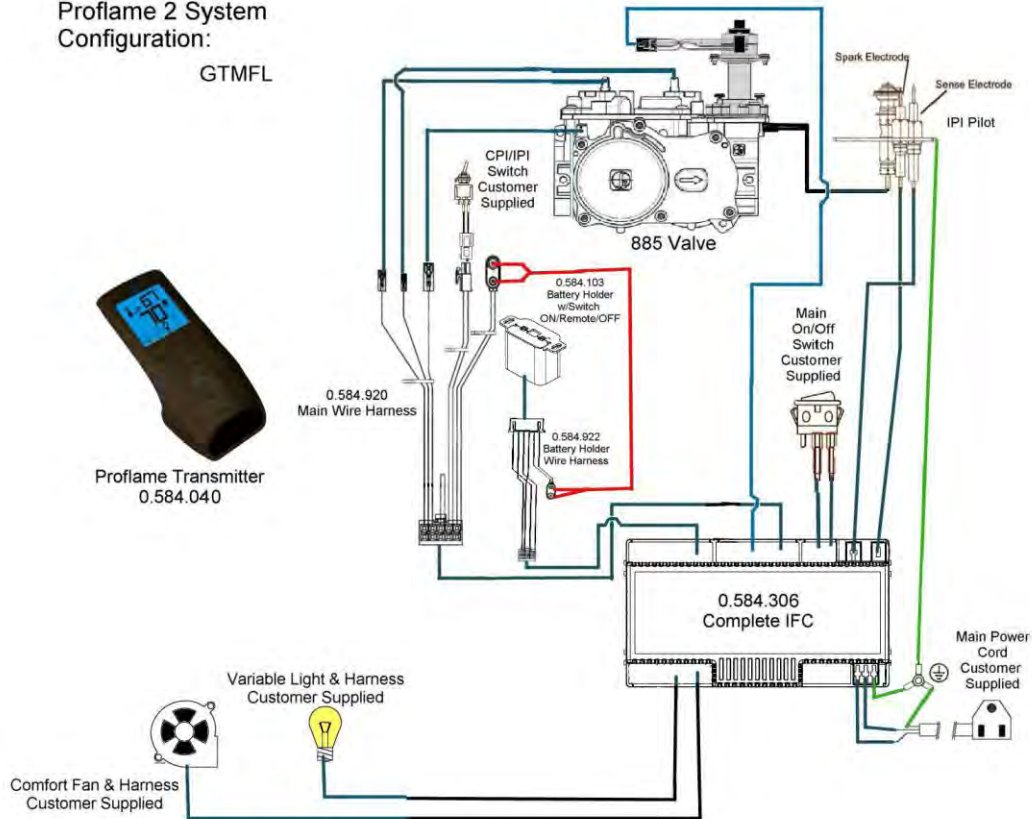
Proflame 2 System Configuration:

GTMFL

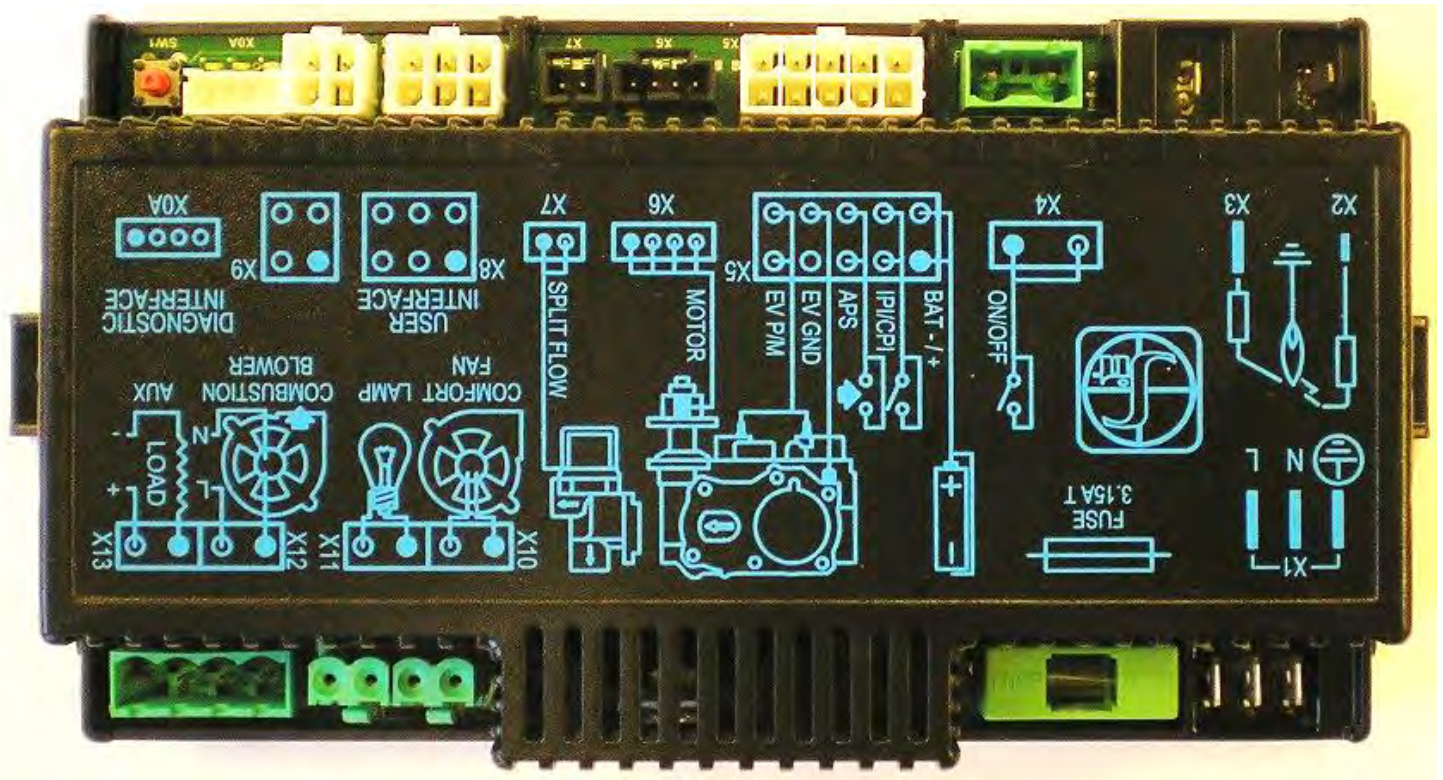


Proflame 2 System Configuration:

GTMFL



Proflame 2 Module



INTRODUCTION

The Proflame2 IFC (Integrated Fireplace Control) board is a device that allows the automatic ignition and pilot flame supervision, to command the functions of a hearth appliance.

It is configured to control the ON/OFF main burner operation, giving the choice of both IPI (intermittent pilot ignition), and CPI (continuous pilot ignition) modes.

The Proflame2 IFC board controls directly the pilot assembly and an automatic valve 880, 886 and 885 of the Proflame families using low voltage electric power.

The IFC board is powered by Line voltage (AC) with provision of battery back up in case of main power loss. Fans and lighting features will not function when the IFC is powered by battery backup.

The Proflame IFC has the ability to control the comfort fan through 6 speeds, modulate an accent light through 6 levels and switch on or off an auxiliary output via the remote transmitter.

Low battery power detection

The life span of the receiver batteries depends on various factors: quality of the batteries used, the number of ignitions of the appliance, the number of changes to the room thermostat set point, etc. When the receiver batteries are low a “double-beep” will be emitted from the IFC when it receives an On/Off command from the transmitter.

This is an alert for a low battery condition of the receiver and after that no more command will be accepted. When the batteries are replaced the “beep” will be emitted from the receiver as soon as powered.

Proflame 2 Remote Control



Follow the procedure below.

- Install the 4 AA batteries into the battery holder (if present). Install the 3 AAA type batteries in the battery bay, located on the base of the Remote Control. Note polarity of the batteries and insert them as indicated.
- Set the main burner flame “ON/OFF” command switch in “OFF” position.
- Set the main ON/OFF and the CPI/IPI switch in the closed position.
- Connect the AC power supply to the IFC.
- Press the SW1 button on the IFC module so the IFC will “beep” three (3) times and an amber LED is illuminated to indicate that the IFC is ready to synchronize with a Remote Control within 10 seconds. With the batteries already installed in the Remote Control, push the ON button. The receiver will “beep” four times to indicate the Remote Control’s command is accepted.

The system is now initialized.

Low battery power detection

The life span of the receiver batteries depends on various factors: quality of the batteries used, the number of ignitions of the appliance, the number of changes to the room thermostat set point, etc. When the Battery Holder’s batteries are low a “double-beep” will be emitted from the IFC when it receives an On/Off command from the Remote Control.

When the Remote Control’s batteries are low, a Battery Icon will appear on the LCD display before all power is lost. When the batteries are replaced this icon will disappear.

Glass Cleaning

It will be necessary to clean the glass periodically. During start-up, condensation, which is normal, forms on the inside of the glass and causes dust, lint etc. to cling to the glass surface. Also, initial paint curing can deposit a slight film on the glass. It is therefore recommended that initially the glass be cleaned two or three times with non-abrasive common household glass cleansers and warm water. After that, the glass should be cleaned two or three times a season depending on the circumstances.

WARNING AND CAUTIONS

- Do not clean when the glass is hot.
- Do not use abrasive cleaners.
- Using a substitute glass will void all product warranties.
- Do not strike or abuse glass. Care must be taken to avoid breakage of the glass.
- Do not operate this fireplace without the glass front or with a broken glass.

Glass Replacement**REPLACEMENT GLASS FOR DIRECT VENT UNITS**

Model Series **ZCV3622** must use **Tempered Glass**. Must be 5mm thick.

Model Series **ZDVRB3622** must use **Low-E Tempered Glass**. Must be 5mm thick.

To replace glass, clean all materials from door frame. Scrape off old silicone down to metal. Using a high heat silicone temperature-resistant to 500°F (260°C) apply a continuous bead of approximately 1/4" to all four sides of frame and insert glass with new gasket. Frame should be on flat surface, with a small amount of weight pressing glass into silicone. Let dry approximately 15 to 20 minutes. The door can be re-installed by reversing Steps 1 & 2. Use caution when removing broken glass, wear gloves.

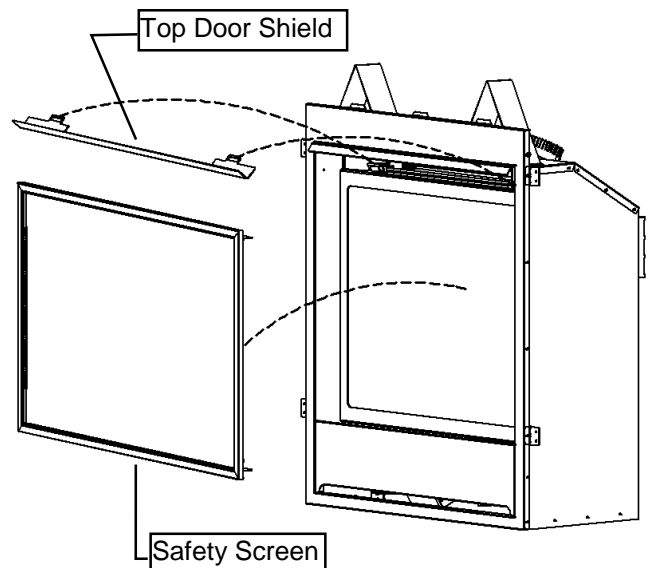
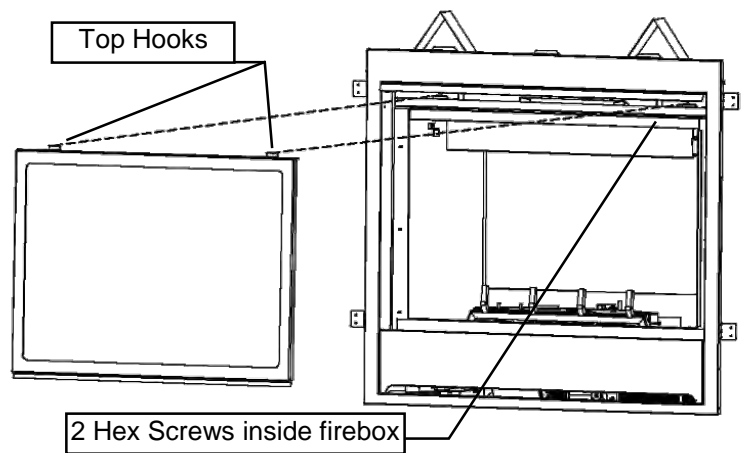
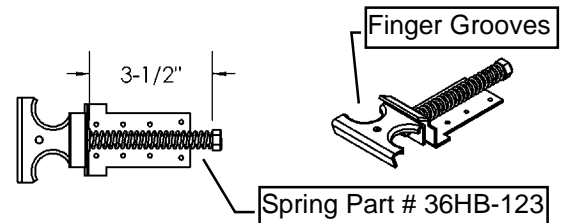
Removal of the Glass Door -ZCV3622, ZCVRB3622

1. Remove the door by unlatching the 2 top latches. Simply place 2 fingers in the grooves, pull towards you and lift upwards slightly.
2. Once the top of the door is unlatched, simply pull outwards and lift upwards to unlatch the bottom.
3. When re-installing the door place the bottom of the door in first and secure with Top Latch assembly to the door.

Spring Replacement- ZCV3622, ZCVRB3622

*Over time, spring may need to be replaced if tension is lost.

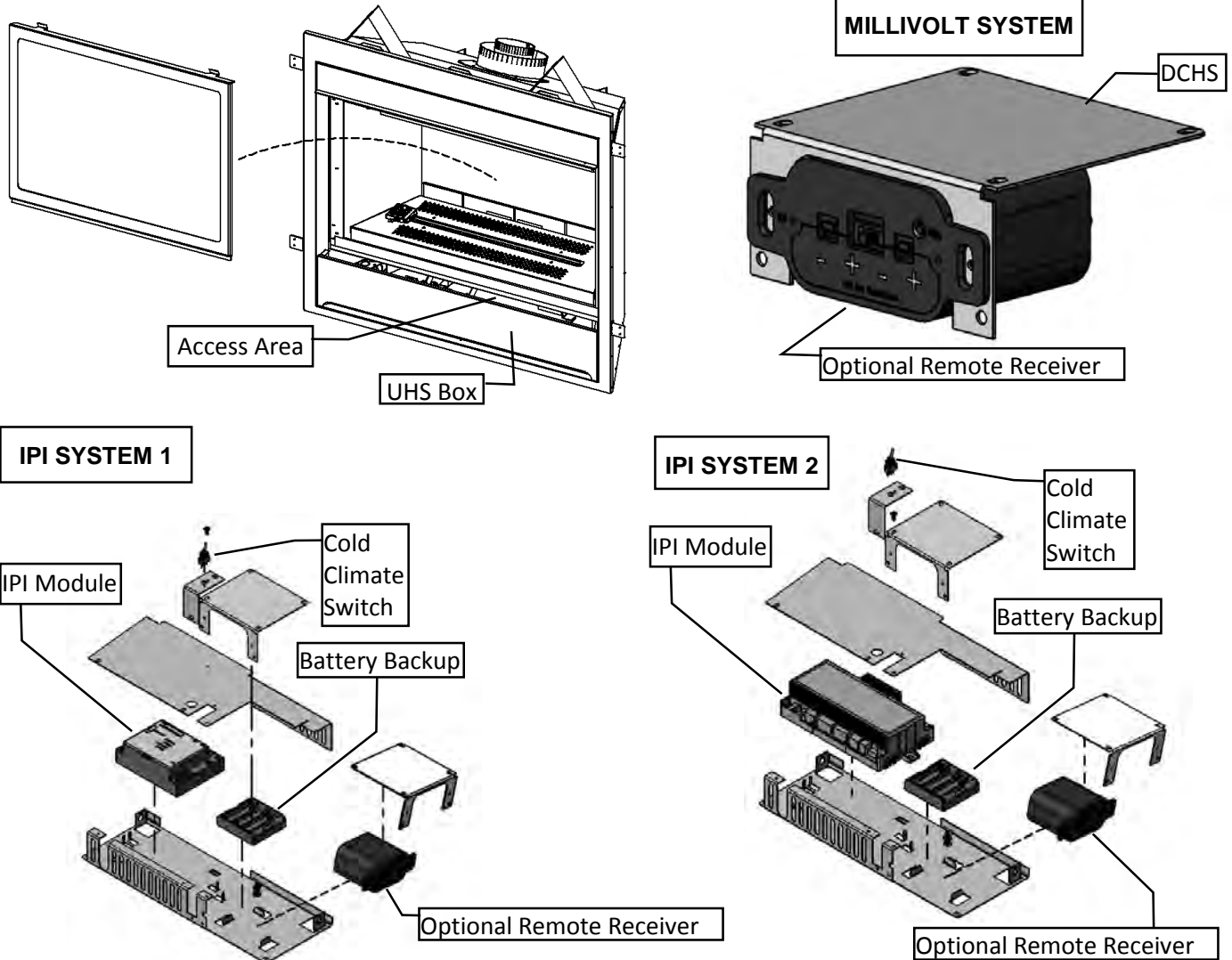
1. To remove the top latch, remove the 2 hex screws that secure it in place. They are located in the firebox
2. Once all the screws are removed the latches will slide out of place.
3. There is 1 lock nut per latch. When replacing a spring, tighten the lock nut until 2 threads are beyond the locknut. This is critical for proper tension.

3622 Door Latch

ZCV3622 / ZCVRB3622 UHS Box

Included with base model IPI units.

The UHS Box is designed for in-unit installation of the IPI Module, Battery Backup, and optional Remote Receiver. Batteries can be changed through the front access area.

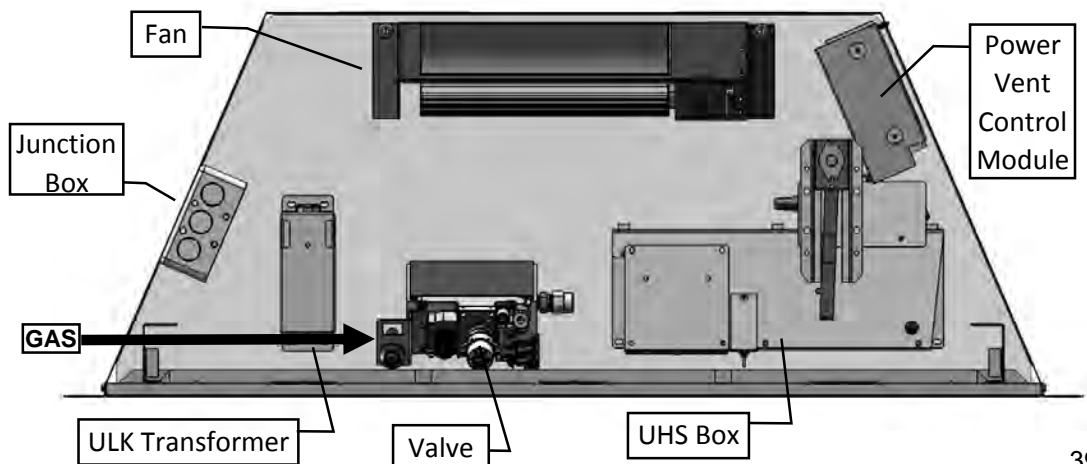


NOTE: BATTERY BACKUP PACK IS NOT REQUIRED IF REMOTE RECEIVER IS USED

If Lower Panel has been covered, batteries may be changed through the Access Area, but burner pan must be removed to service or replace components (See **Burner Pan Removal** section of this manual).

COMPONENT LOCATIONS (See Each Section For Connections & Wiring)

NOTE: The gas line connection may be made of 1/2" rigid pipe or an **Approved Kingsman Flex Connector, such as FP15GC**. Since some municipalities have additional local codes, it is always best to consult your local authorities and the current CAN/CGA - B149.1 or .2 installation code in Canada or the National Fuel Gas code ANSI Z223.1 in the U.S.A



Z36FK Parts List:

- [1] Fan c/w 4 ft. cord & 2-14" leads
- [1] Wall Mount Variable speed control
- [1] Thermodisc
- [1] Thermodisc disc assembly mounted to bottom of fireplace

⚠ WARNING

Electrical Grounding Instructions

This appliance is equipped with a three prong (grounding) plug for your protection against shock hazard and should be plugged directly into a properly grounded three-prong receptacle. Do not cut or remove the grounding prong from this.

Before Servicing

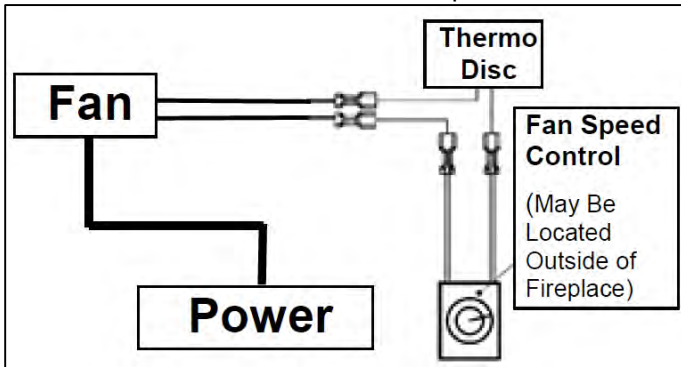
1. Ensure all power supply is shut off.
2. Label all wires prior to disconnecting when servicing control. Wiring errors can cause improper and dangerous operation.
3. For fan servicing: Vacuum and clean lint/dirt build-up on the fan blades and motor.
4. When resealing the Burner Pan, use Mill Pac.

The fan can be installed through the Bottom of the fireplace.

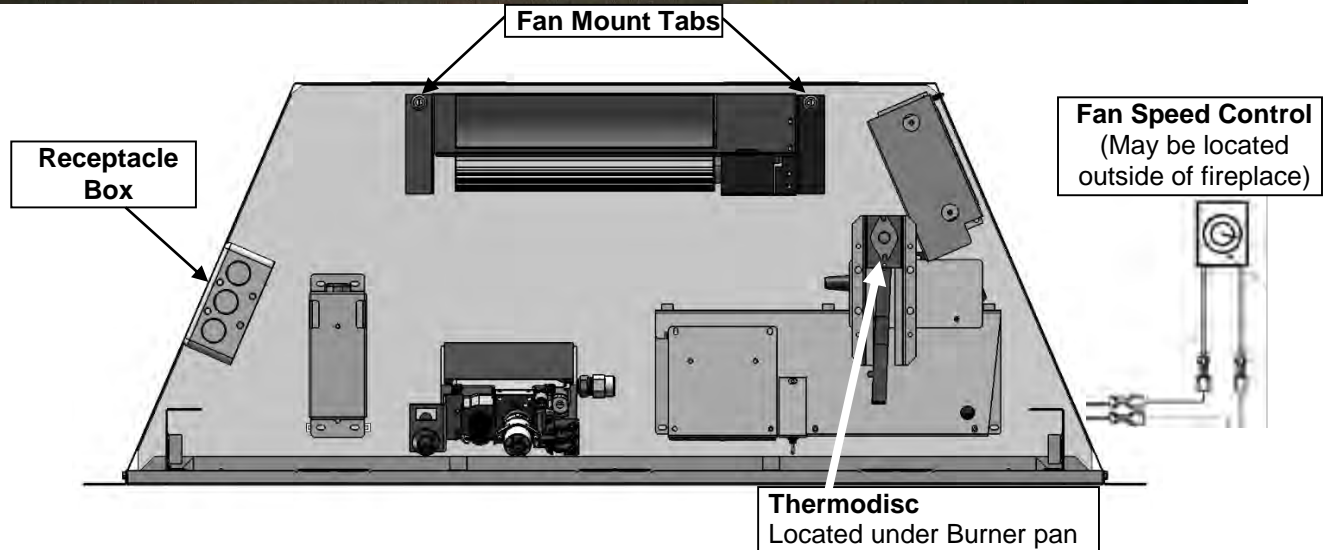
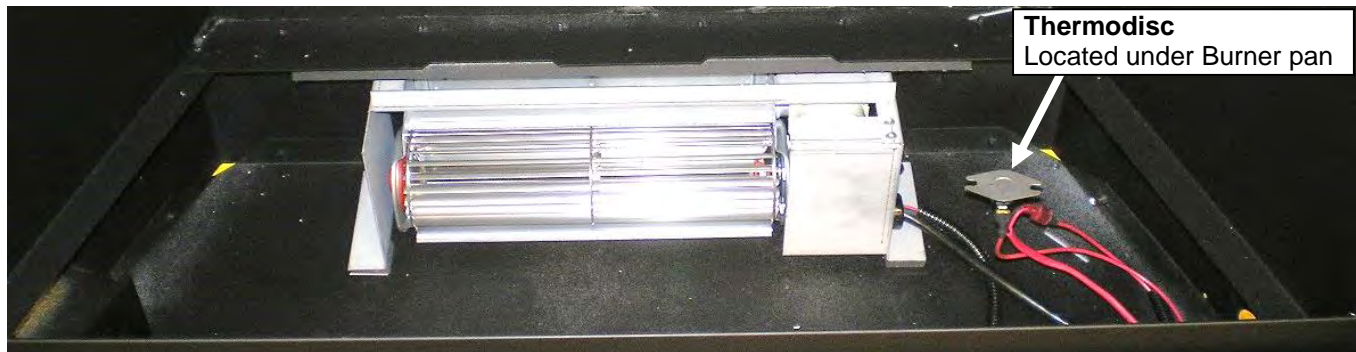
If fireplace is already installed and non-combustible material is covering the Lower Access Panel, the burner pan must be removed to install the fan (See Burner System Removal section).

Mount fan on tabs in bottom of fireplace. Connect fan as per wiring diagram below. Replace all components. Thermodisc is Located under Burner pan.

NOTE: Do not allow cords or wires to come into contact with the firebox or the underside of the burner pan.



Fan installed in fireplace. Burner removed for clarity.



Fan Speed Control Outside of Fireplace

If you plan to locate the variable speed control switch for the fan outside of the fireplace and you require a constant source of AC power inside the unit for another accessory such as lights or an IPI valve system, follow one of the procedures below.

⚠ WARNING

A qualified electrician must connect electrical wiring to junction outlet for built-in installation.

Follow all codes.

⚠ WARNING

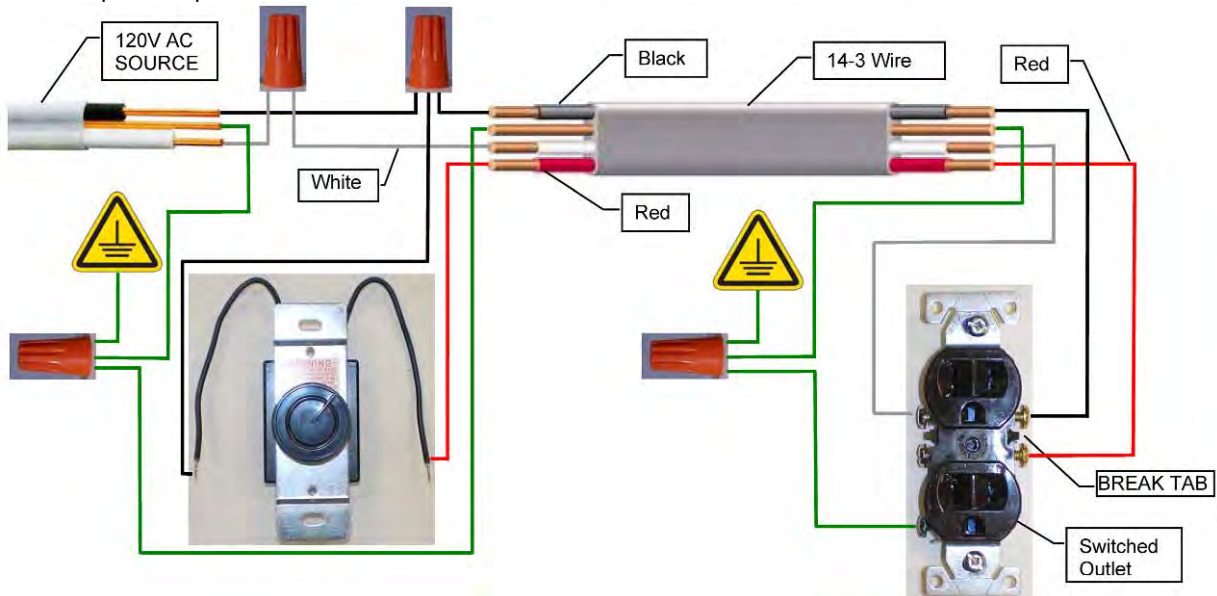
Electrical Grounding Instructions –
This appliance is equipped with a three – pronged (grounding) plug for your protection against shock hazard and should be plugged directly into a properly grounded three-prong receptacle.

⚠ WARNING

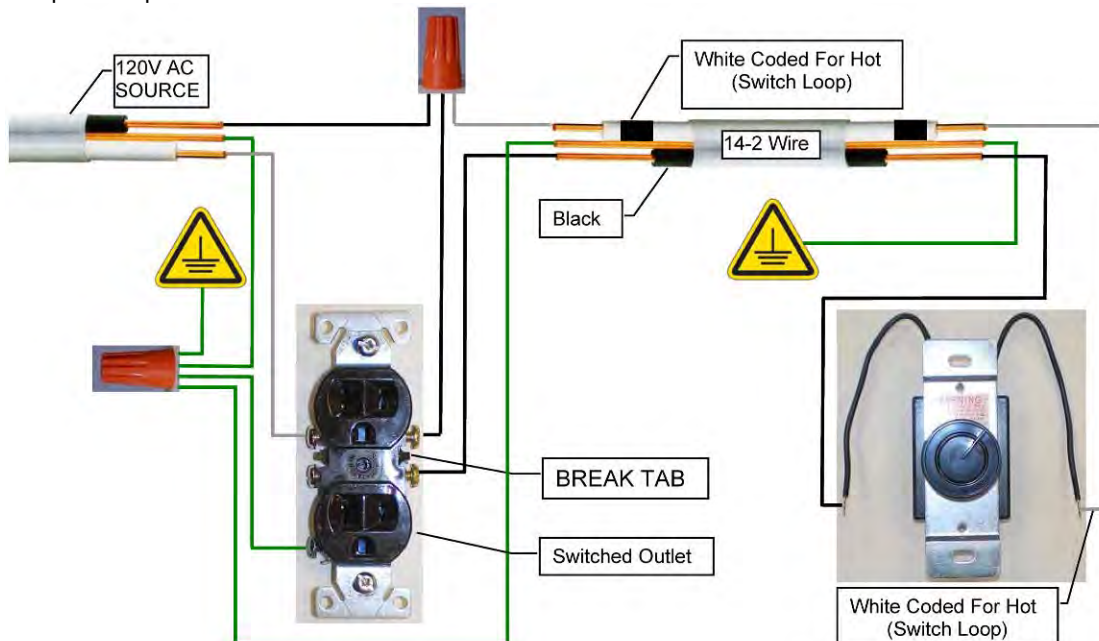
Label all wires prior to disconnection when servicing controls. Wiring errors can cause improper and dangerous operation. Verify proper operation and servicing.

⚠ Caution: Electrical installation to be done by a qualified installer. All wires must be connected and grounded in accordance with CSA Standard C22.1- Canadian Electrical Code part 1 or with the National Electrical Code, ANSI /NFPA 70 (latest edition) and /or in accordance with local codes.

Switch Controlled Split Receptacle With Switch At START Of Cable Run

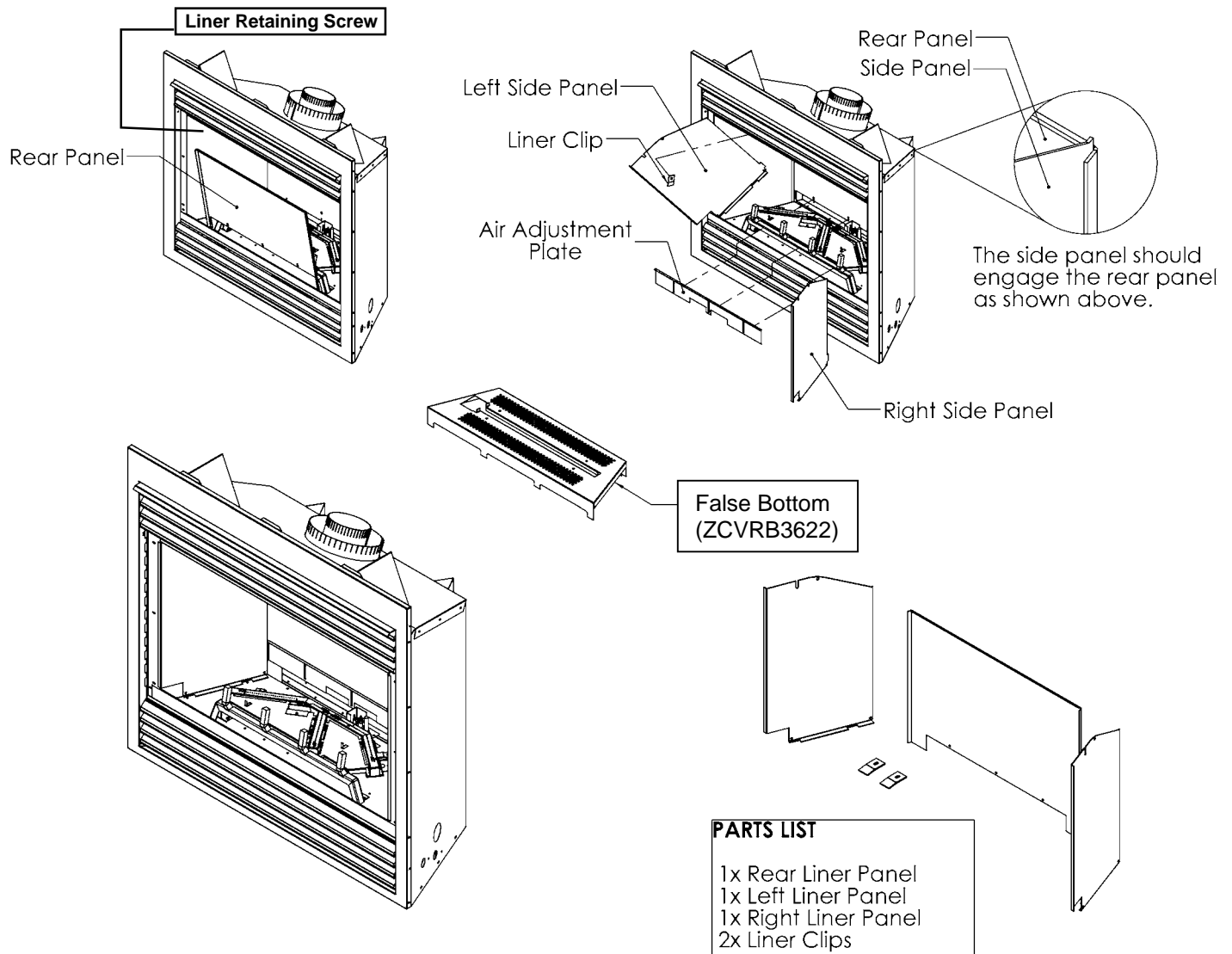


Switch Controlled Split Receptacle With Switch At END Of Cable Run



ZCV3622 / ZCVRB3622 ML / PRL Liner Installation Guide

1. Make note of the position of the air adjustment plate before removing it. This position will have to be recalled when the air adjustment plate is reinstalled.
2. Remove three [3] mounting screws from air adjustment plate and extract it from the firebox. (NOTE: The false bottom will have to be removed on model ZCVRB3622.)
3. Remove the [1] Liner Retaining Screw from each side of the firebox. These screws will be reused for installation of the side liner panels.
4. Place the rear liner panel against the back of the firebox. When placing the panel, tilt it towards you while lifting it over the burner assembly.
5. To place the side liner panels, rotate panel towards you while placing the bottom edge over the front ledge of the firebox. Then, rotate the panel upright and slide it back towards the rear liner panel. Make sure the top of the side panel is engaged with the top of the rear panel as shown in the illustration below. Once all the liner panels are installed, ensure they are sitting flush to the walls of the firebox.
6. Reinstall the air adjustment plate back to its original position. (NOTE: Only for instances where the adjustment plate is in the extreme up position, it is not necessary to reinstall the plate. One may prefer not to install the plate for a more finished appearance.)
7. If applicable, reinstall the false bottom.

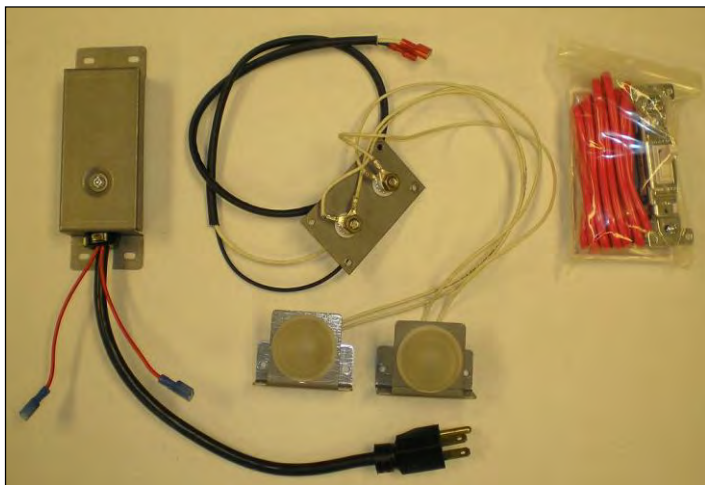
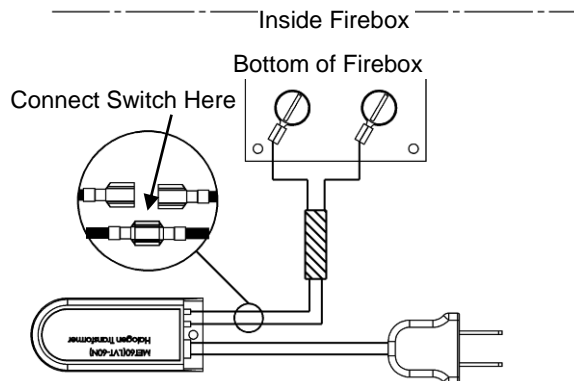
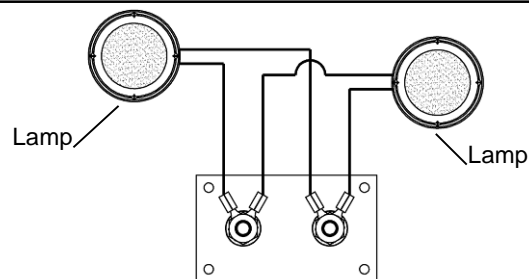


Note: Warping and Discoloration of Porcelain or Painted Metal Liners Is Not Covered Under Warranty. Both Porcelain and Painted Metal Liners may discolor and warp during normal operation of your appliance. This is normal, and not considered a defect.

Please follow the current ANSI/NFPA 70 National Electrical Code in the USA and CAN/CSA C22.1 Canadian National Electrical Code in Canada.

Contents of Kit:

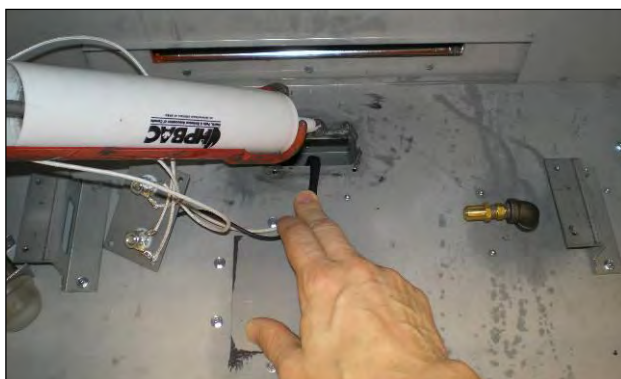
- [2] 12V Halogen Lamps
- Lamp Plate with Insulated Studs & wiring
- 12VAC Transformer with 3 prong plug & wire connectors
- Light Switch & Cover Plate c/w 10ft wire c/w [1] Loose Female & [1] Loose Male wire connector



INSTALLATION:

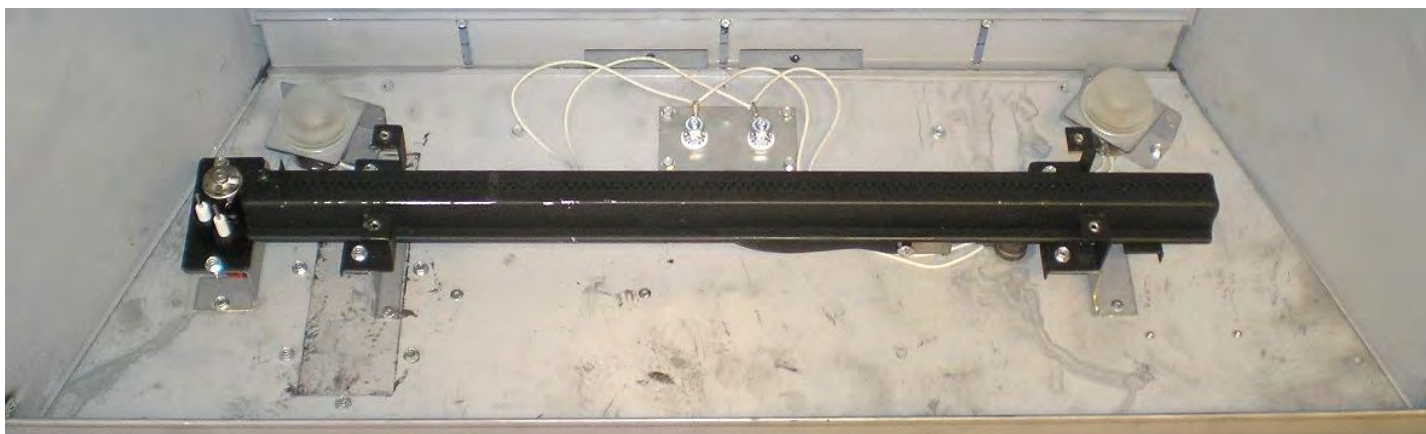


STEP 1: Remove false bottom to expose burner tube. Remove burner tube and cover plate as above. Remove old sealant from opening.

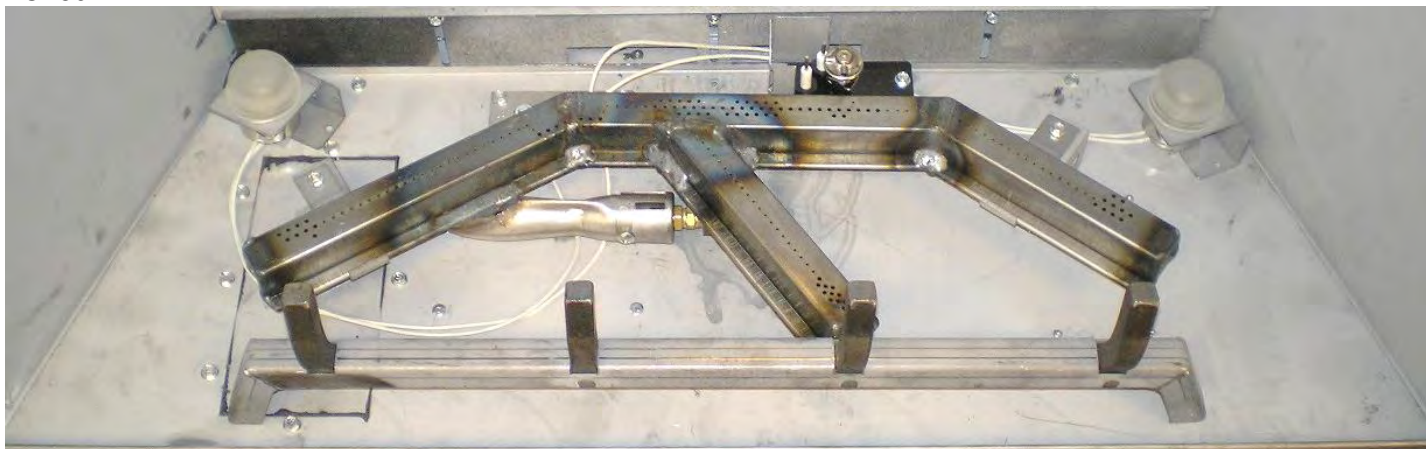


STEP 2: Insert lamp wires through access hole in firebox as above. Apply new sealant (Mill-Pac). Secure Lamp Plate with screws.

ZCVRB3622



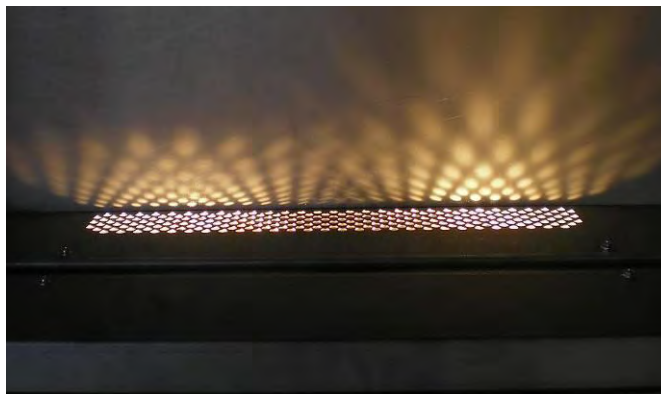
ZCV3622



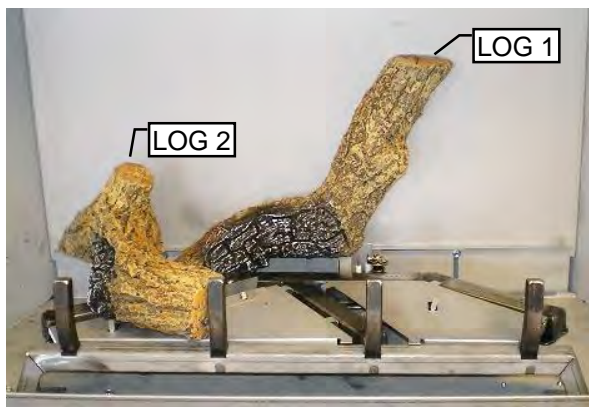
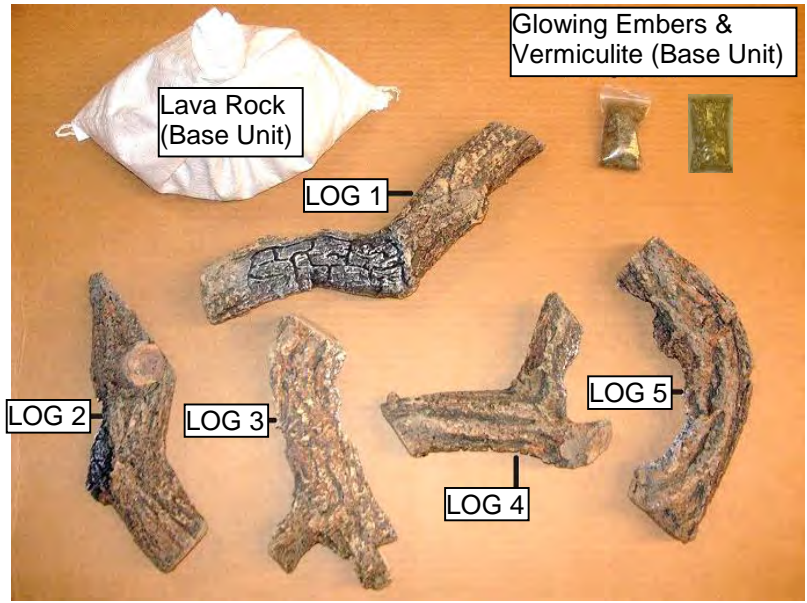
STEP 3: Place Lamps in position in firebox. Attach to fireplace with a single screw at the locations shown above for each unit. Lamps can be placed facing upward or sideways. Replace burner tube and false bottom, along with pilot shield.



STEP 4: Connect switch wires between lamp wire and transformer (see schematic). Connect remaining lamp wire to transformer. Transformer can then be plugged in and the housing fastened to the bottom of the fireplace.



Glass may be used to cover perforations in false bottom for ZCVRB3622.

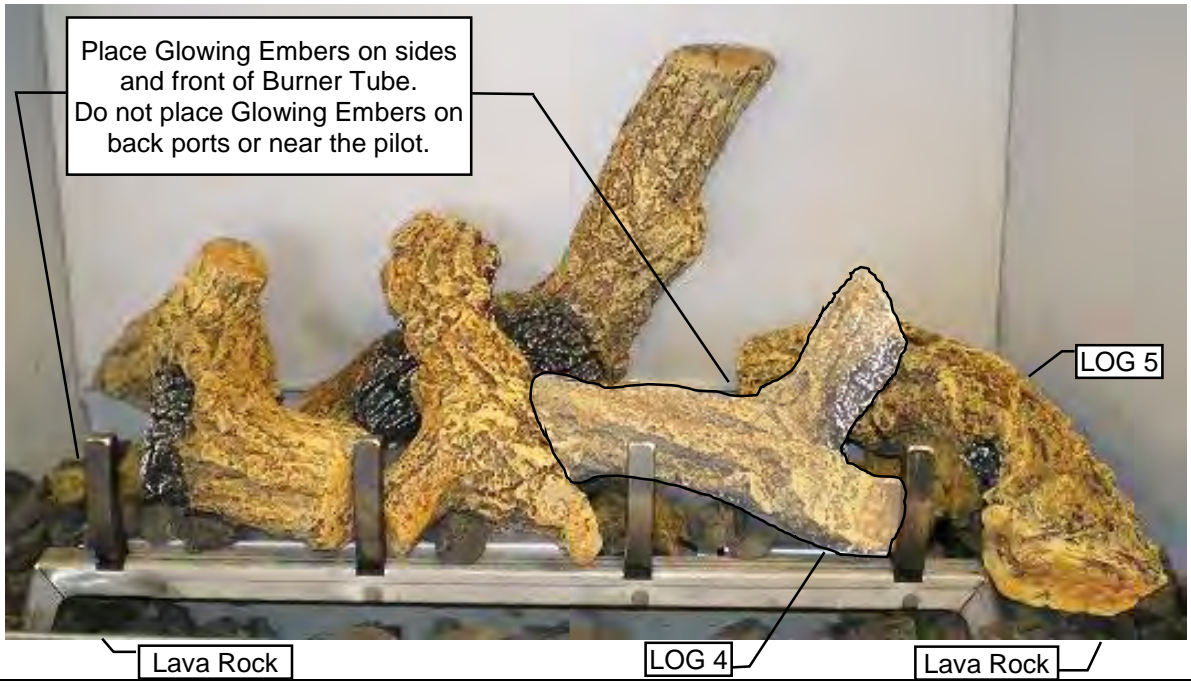


Pile Lava Rock around sides of Burner Tube.



Log 5 will rest on Lava Rock.

Sprinkle Vermiculite onto Lava Rock.



Optional: Log 4 in raised position.



MQLOGC22 for MQZDV3318 / 3622 / ZCV3622

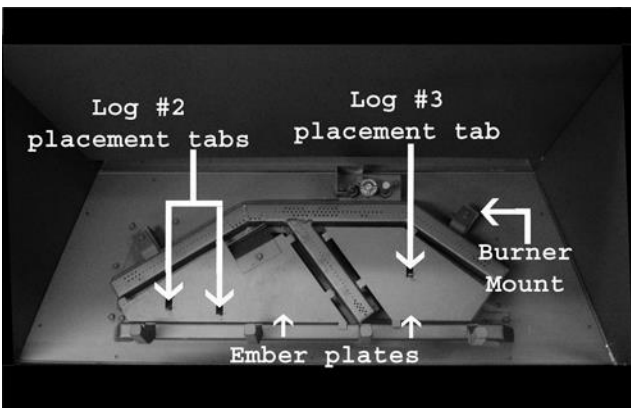
⚠ WARNING: Failure to position the parts in accordance with these diagrams or failure to use only parts specifically approved with this appliance may result in property damage or personal injury.



Parts List
Lava Rock
Vermiculite
Rock Wool
Logs, 1,2,3,4

NOTE: Log 1 is a two piece assembly.

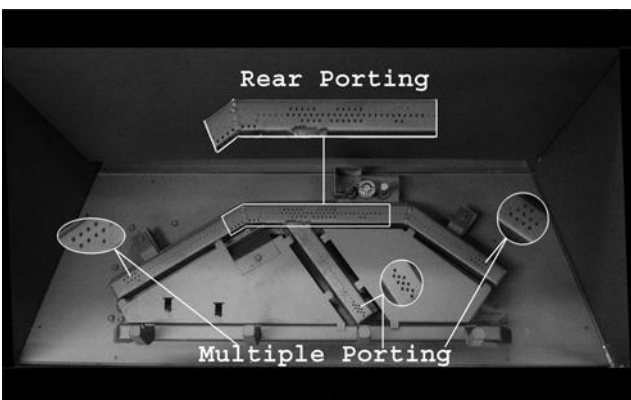
Log 1 assembled and ready for install.



Location Points



STEP 1: Place Log #1 onto the rear burner pan sliding it left until it stops against the right burner mount.



Place glowing rock wool on burner as shown in step 1 being sure to leave the multiple porting areas open. For Lp only, the multiple porting areas can be completely covered. Do not cover the Rear Porting areas with rock wool.



STEP 2: Align the 2 holes on the bottom of log #2 with the 2 log#2 placement tabs as shown.

MQLOGC22 for MQZDV3318 / 3622 / ZCV3622



STEP 3: Align the hole on the bottom of log #3 with the log #3 placement tab and the rest log #3 on log #2 as shown.



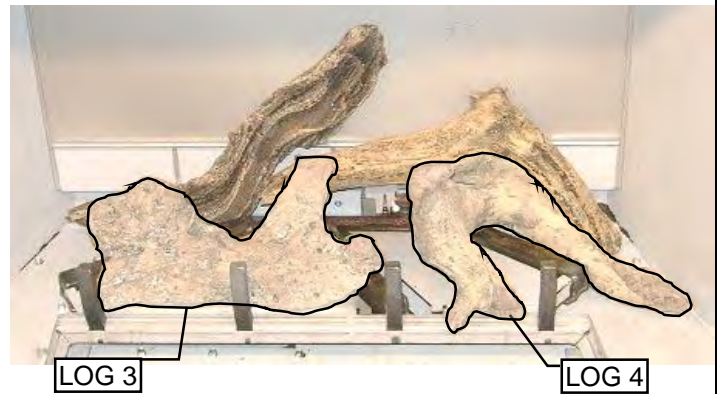
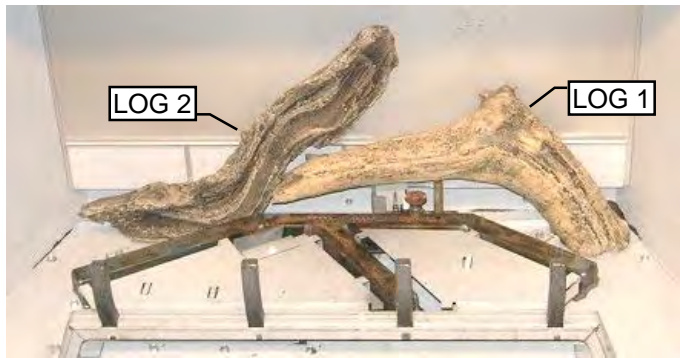
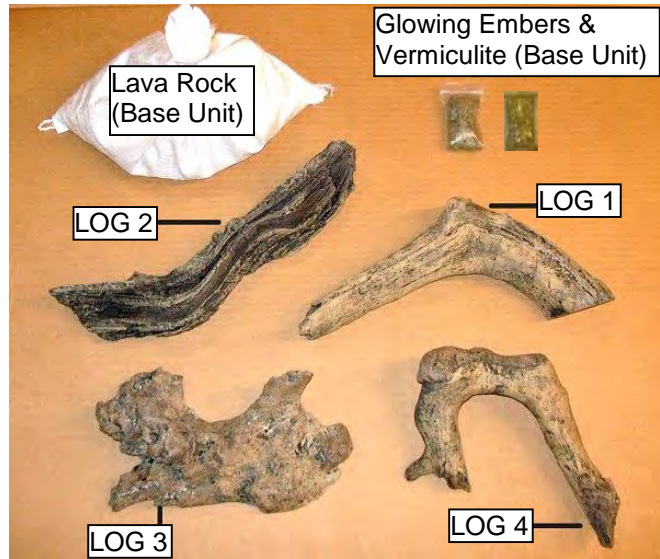
STEP 4: Place Log #4 into place as shown. Do Not place directly over top of the multiple porting area on the left side.



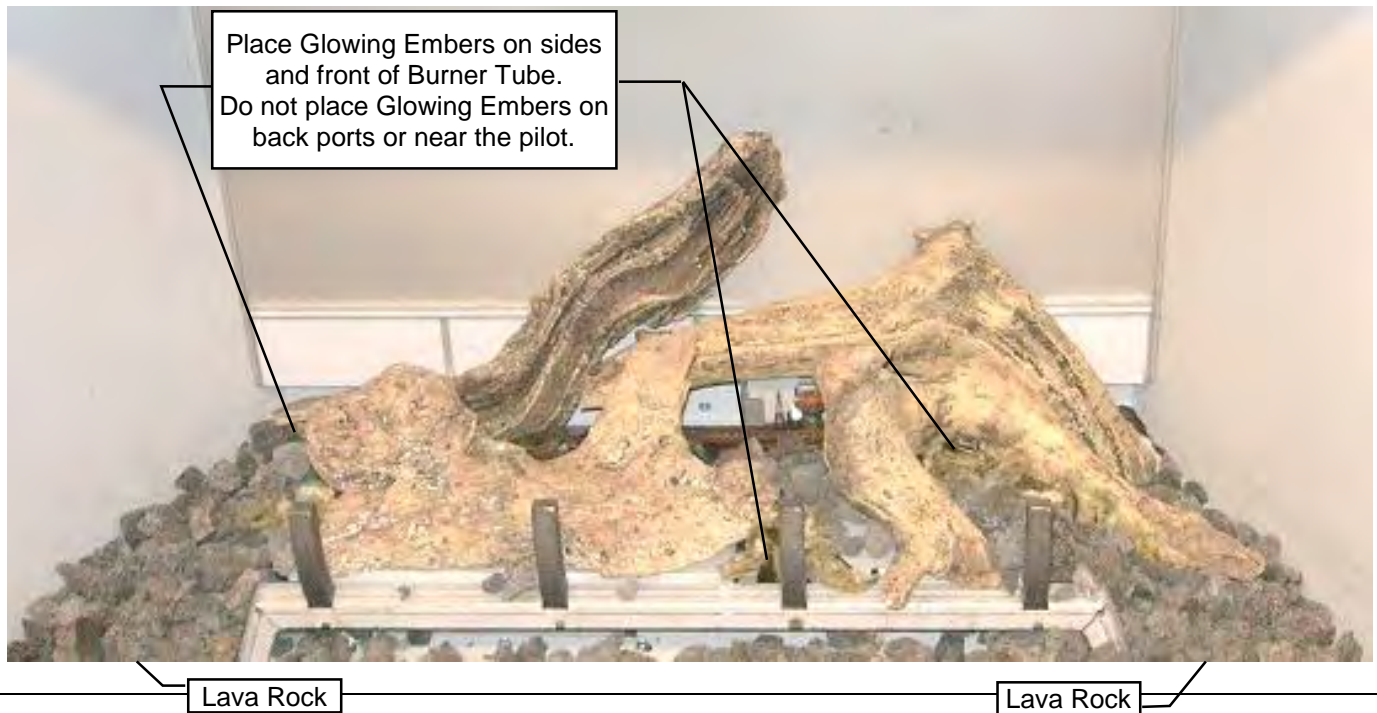
STEP 5: Fill in the rest of the burner pan and ember plates with lava rock and vermiculite. Do not place lava rock or vermiculite on any of the burner ports.



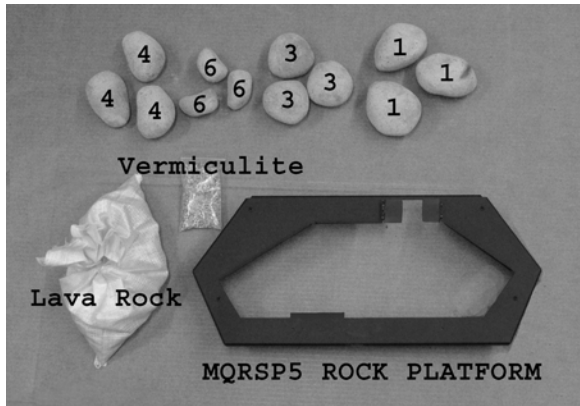
Finished log setup
Finished log set is displayed with optional VLBIT6



Pile Lava Rock around sides of Burner Tube. Sprinkle Vermiculite onto Lava Rock.

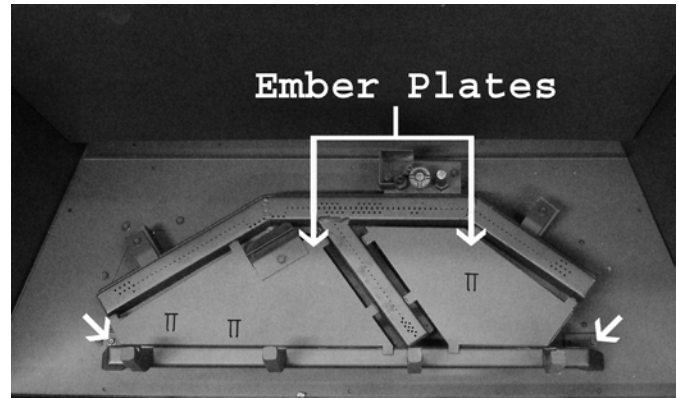


MQRSP5 for MQZDV3318/3622/ZCV3622

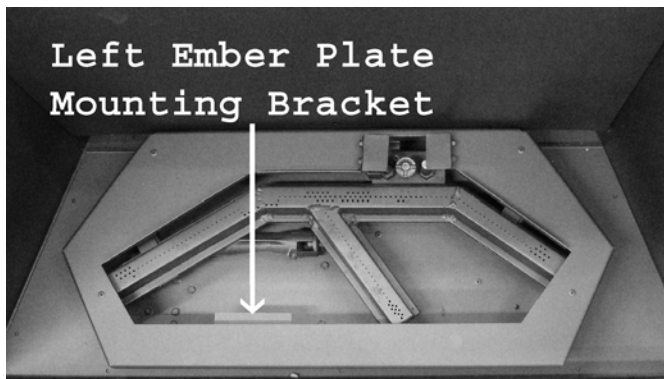


MQRSP5 Parts List

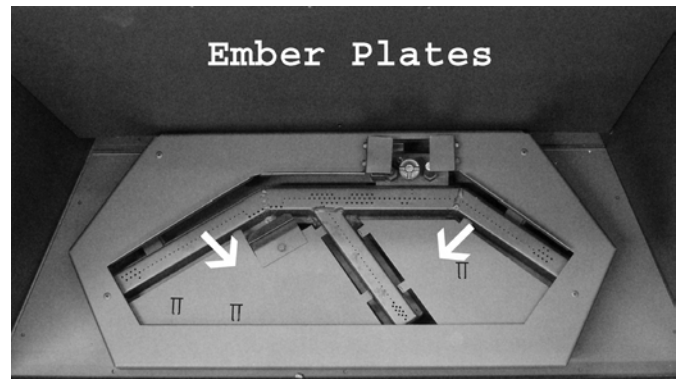
- 1 each MQRSP5 Rock Platform
- 1 each Lava Rock
- 1 each Vermiculite



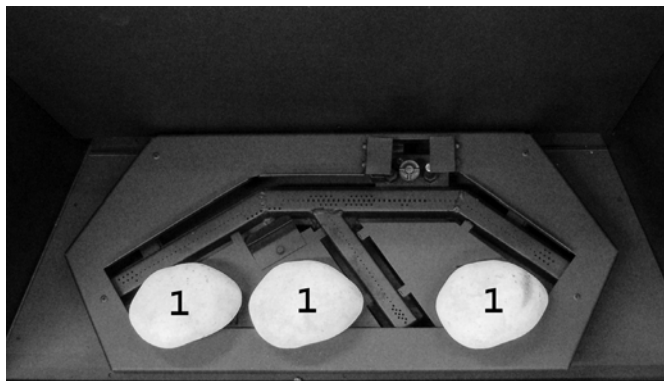
Step 1: Remove the grate bar by removing the 2 screws located on the left and right side of the grate bar as illustrated. Remove the 2 ember plates once the grate bar is removed. **The 2 screws removed must be re-installed once the grate bar is removed.**



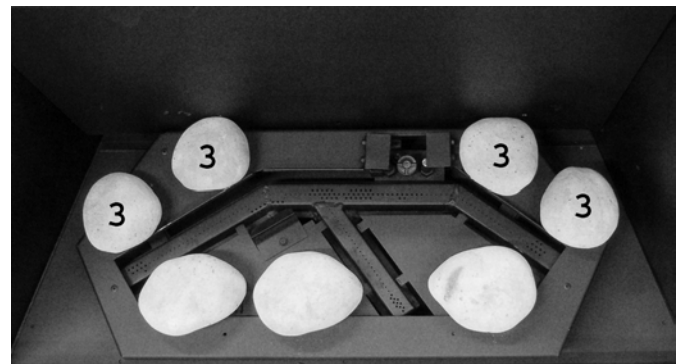
Step 2: Place the MQRSP5 rock platform into position around the burner as shown.



Step 3: Using the left ember plate mounting bracket, slide the left ember plate into position as shown. Repeat the same for the right ember plate



Step 4: Place rocks #1 into position as shown.

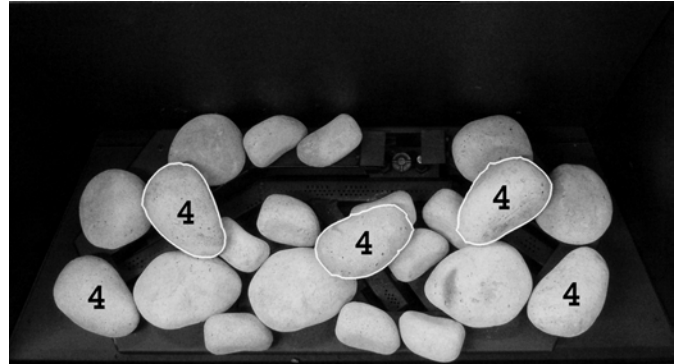


Step 5: Place rocks #3 into position as shown.

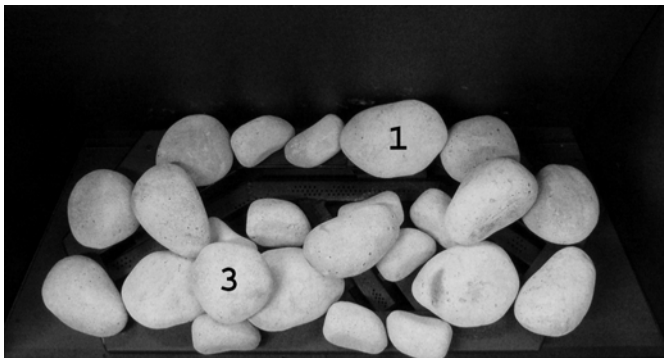
MQRSP5 for MQZDV3318/3622/ZCV3622



Step 6: Place rocks #6 into place as shown. Do not place directly over the multiple porting areas.



Step 7: Place rocks #4 into position as shown. Place the highlighted rocks into position being sure that they are crossing over the single line porting.



Step 8: Place rock #3 and rock #1 into position as shown to complete the setup. Lava rock and vermiculite are optional for placement around the rock platform on the burner pan.



MQRSP5 finished setup and burn.

Note: If flame impingement on the rocks causes sooting, you may have to move or remove one or more rocks. Do not place rocks directly over top of the burner tube.

Accessories for Skyline, ZCVRB3622, & ZRB46 Ribbon Burner Units

ACCESSORY ITEM	MQRB3632	MQRB4236	ZCVRB3622
White Glass MQG5W	Yes / 5LB MAX	5LB Bag c/w Unit	MQ Dealer Only
Bronze Glass MQG5C	Yes / 5LB MAX	Yes / 5LB MAX	5LB Bag c/w Unit
Cobalt Blue Glass MQG5A	Yes / 5LB MAX	Yes / 5LB MAX	MQ Dealer Only
Black Glass MQG5B	Yes / 5LB MAX	Yes / 5LB MAX	MQ Dealer Only
MQROCK2	Yes	Yes	MQ Dealer Only
MQROCK3	Yes	Yes	MQ Dealer Only
MQRBD1	Yes	Yes	MQ Dealer Only
MQSTONE	Yes	Yes	MQ Dealer Only
MQEMBER	Yes	Yes	MQ Dealer Only
ULK2	Yes	Yes	Yes



Use of any other glass can alter the performance of the unit and is not covered under warranty.

Discoloration of glass media may occur if placed on the burner, this is not covered under warranty.

• **GLASS (MQG5W, MQG5C, MQG5A, MQG5B)** This media **MUST** be used; evenly spread the glass embers onto the false bottom and burner. Ensure the glass embers do not excessively overlap as this will affect the flame pattern. Use care when placing glass embers near the pilot area so as not block or have the glass fall over the crossover holes from the pilot to the burner, as delayed ignition can occur.

The following types of glass are approved:

• **½” Ember Glass Material from American Fireglass.**

Maximum amount: Natural Gas is 5 lbs, Propane units 5 lbs.

• **Liquid Glass from Firegear.**

Maximum amount: Natural gas is 5 lbs, not recommended for Propane appliances.



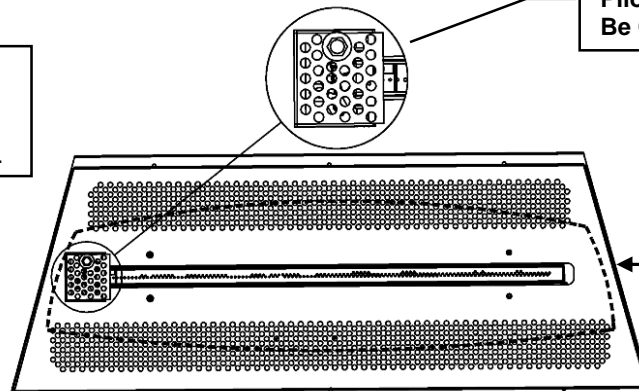
Pilot Area Must Not Be Covered

⚠ WARNING

- **Pilot Area Must Not Be Covered**, as delayed ignition can occur.
- **Do not change or substitute the glass ember material provided with this fireplace. If replacing, use only replacement glass embers available from your local authorized dealer.**

*Pilot Shield should be visually inspected monthly for signs of deterioration due to flame exposure. Replace if necessary.

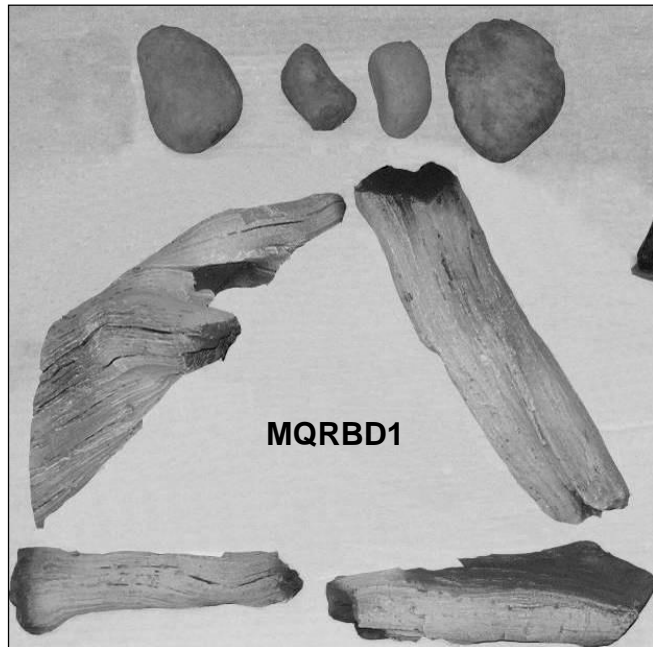
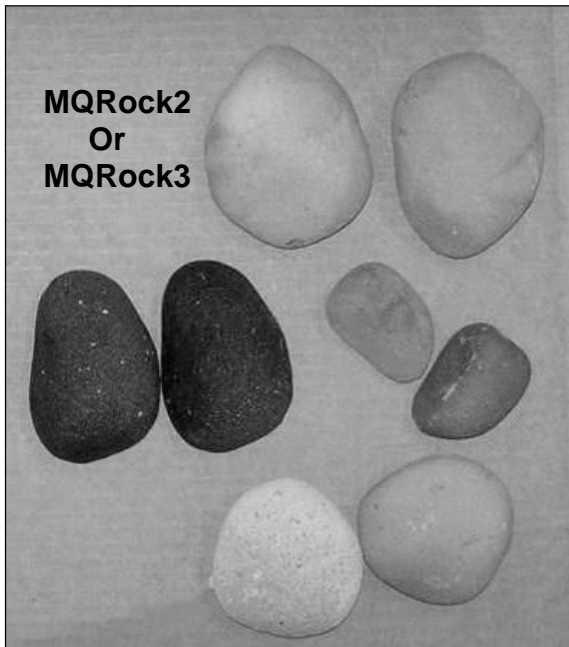
Pilot Area Must Not Be Covered



Glass Ember placement for ZCVRB3622 & MQRB4236:
Leave 3-4 rows of perforations uncovered at the front and back of the false bottom. Covering all the perforations at the back may cause flame to pull backward.

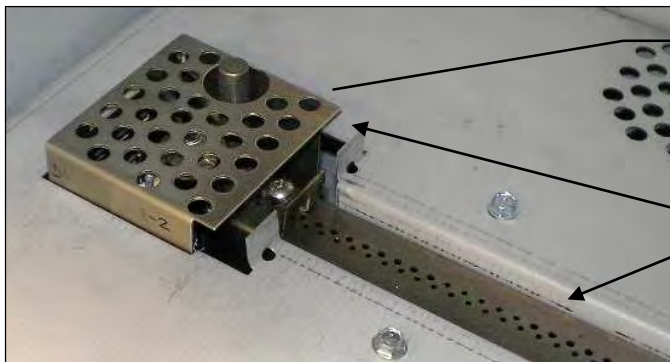
⚠ NOTE: Glass Media must be evenly spread over the Burner and False Bottom as described on last page before Rock / Stones / and Log Accessories are placed.

- **MQROCK2, MQROCK3, MQRBD1** - Place rocks randomly onto False Bottom. Be careful not to cover any part of the Burner Tube as sooting may occur.



⚠ NOTE

- Pilot Area Must Not Be Covered, as delayed ignition can occur.
- Do Not Cover any part of the burner tube with rocks or logs as sooting may occur.
- In some positions, Logs can cause flame pattern to roll backward, causing sooting. If this occurs, re-position Logs.



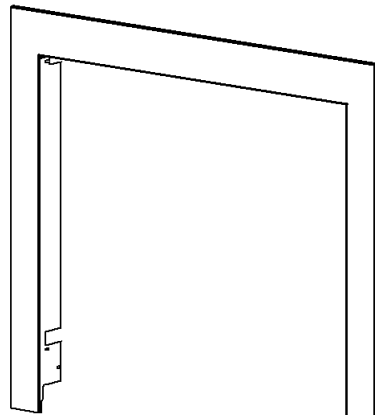
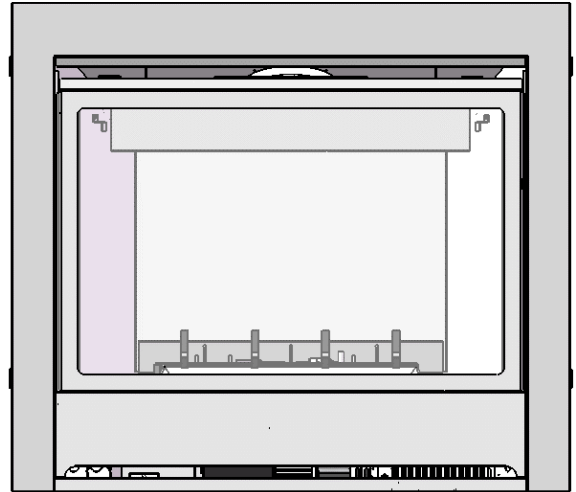
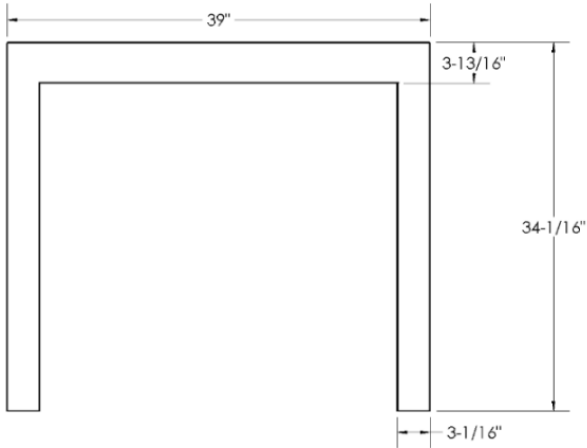
*Pilot Shield should be visually inspected monthly for signs of deterioration due to flame exposure. Replace if necessary.

Burner Tube & Pilot Area Must Not Be Covered.

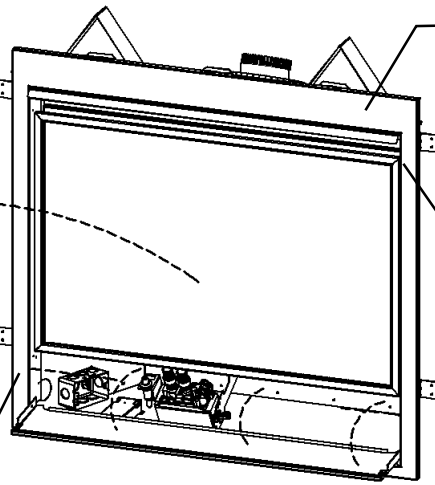
- **MQ STONE DECORATIVE STONE SET**- Place Stones onto False Bottom and Burner Tube randomly. Do Not stack or overlay when placing on Burner Tube. Do Not cover Pilot Area. Not all stones will be used on some models.
- **MQEMBER**- Place these glowing ember chunks randomly. Embers may be used with or without other accessories.
- **ULK2 UNIVERSAL LIGHT KIT (Optional Accent Lighting Kit)**- See separate installation page.

ZCV36S1BL ZCV3622 Surround Installation

Parts List: [1] Surround, [2] #6 DT Black Screws



Step 1:
Remove [2] top screws in Lower Panel and open.



Step 2:
Slide surround over fireplace frame.

Step 3:
Install DT screws through surround into top corners. Install screws into bottom corners through surround.



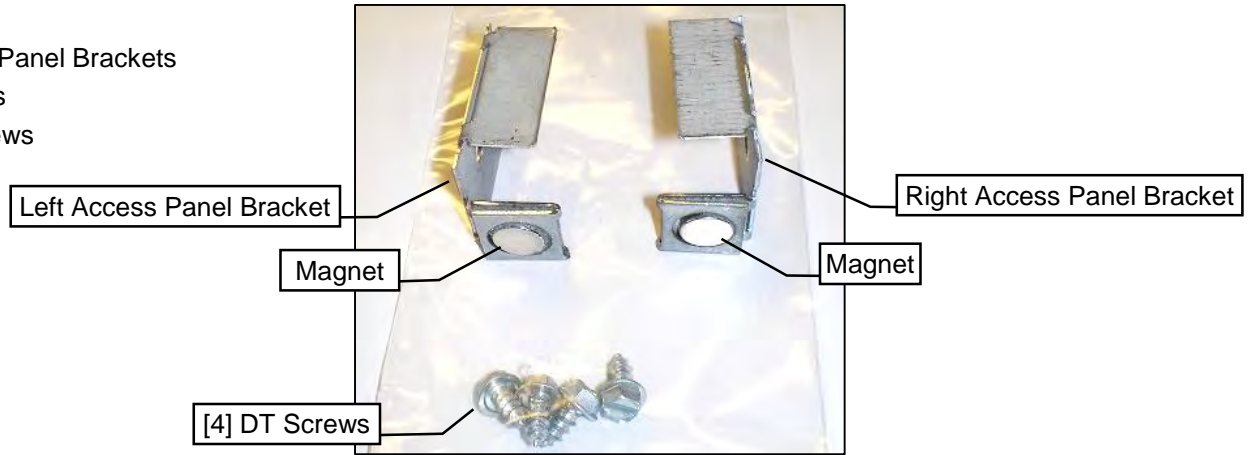
Step 3 (illustrated): Install screws in top corners.



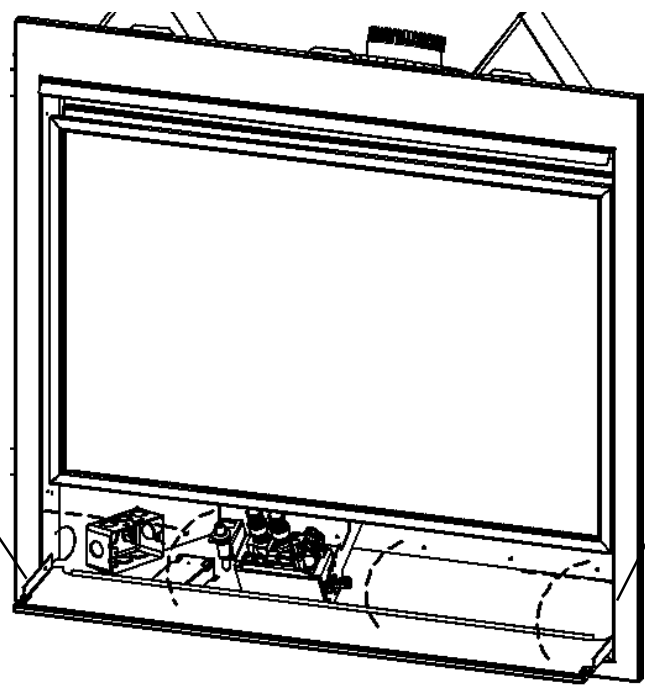
Step 4: Open Lower Panel and install screws through surround. Raise Lower Panel and replace screws.

Parts List:

- [2] Access Panel Brackets
- [2] Magnets
- [4] DT Screws



Step 1:
Remove [2] top screws in Lower Panel and open.



Step 2:
Attach left and right Access Panel Brackets to inside of face frame with DT Screws.



Step 2 (illustrated): Install screws in top corners. Attach left and right Access Panel Brackets to inside of face frame with DT Screws. Lower Face Panel will now be openable.

ZCVRB36S

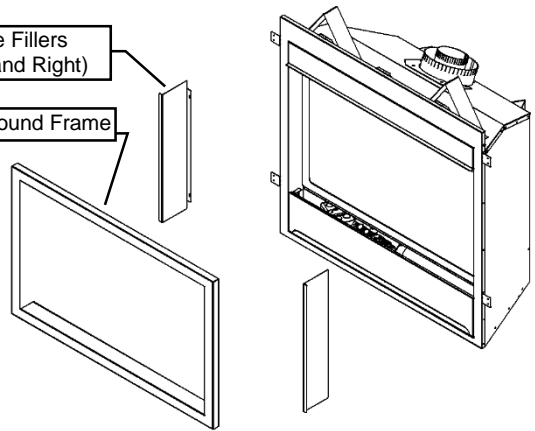
Surround Installation

Surround Size:
(36"W x 22-7/8")
ZCVRB36SBL
ZCVRB36SSS

Each kit contains:
(Qty-1) Surround Frame
(Qty-2) Surround Side Fillers
(Qty-6) #6 Self Tapping Screws

Side Fillers
(Left and Right)

Surround Frame

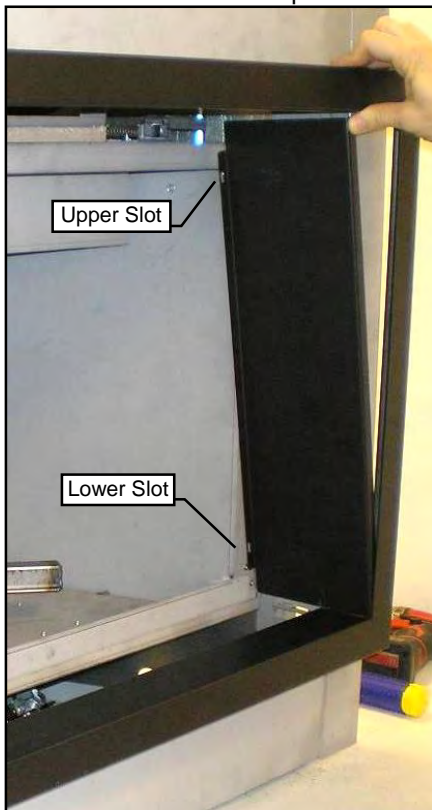


NOTE: See *Framing Flush With Face of Fireplace* on *Nailing Tab Guide* Page.

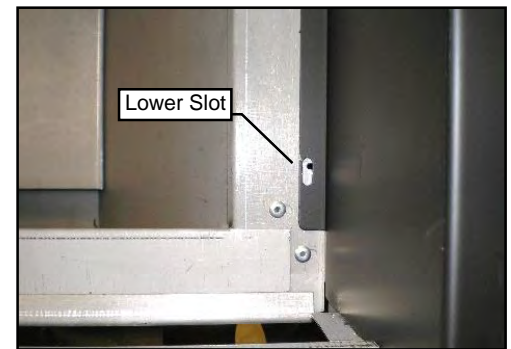
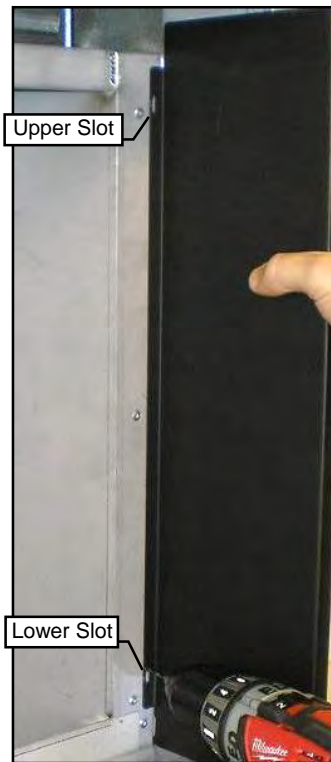
The Surround Frames are 1" thick, with a 3/4" space behind the frame. The Fireplace may be covered up to within 1/8" of the opening with non-combustible materials.

NOTE: Cotton gloves **must** be worn to protect the finish during installation and handling.

1. With Glass Door removed, hook Surround over Lower Ledge of fireplace and slide Side Fillers into place.



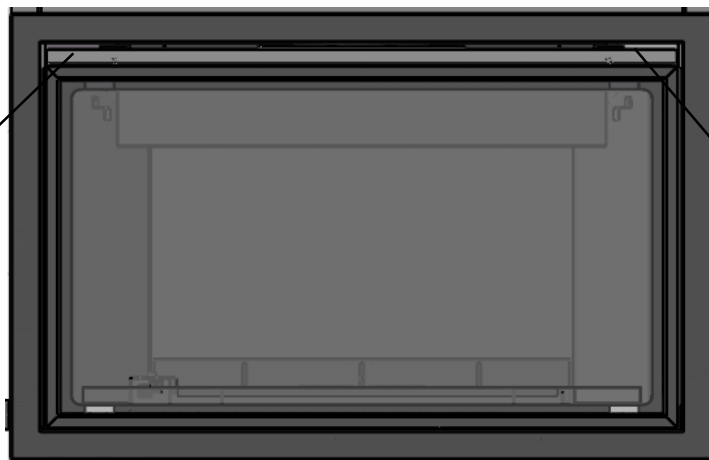
2. Attach Side Filler of Surround to firebox face with two screws. Repeat for other side of fireplace.



3. Install two screws into inside top of surround. Replace Door.

⚠ NOTE:
All hand and finger marks **must** be cleaned off with a soft cloth and light detergent prior to applying heat to the unit. Stainless panels may discolour a little during normal operation. This is normal and should not be considered a defect.

Install Screw



Install Screw

Troubleshooting the Gas Control System

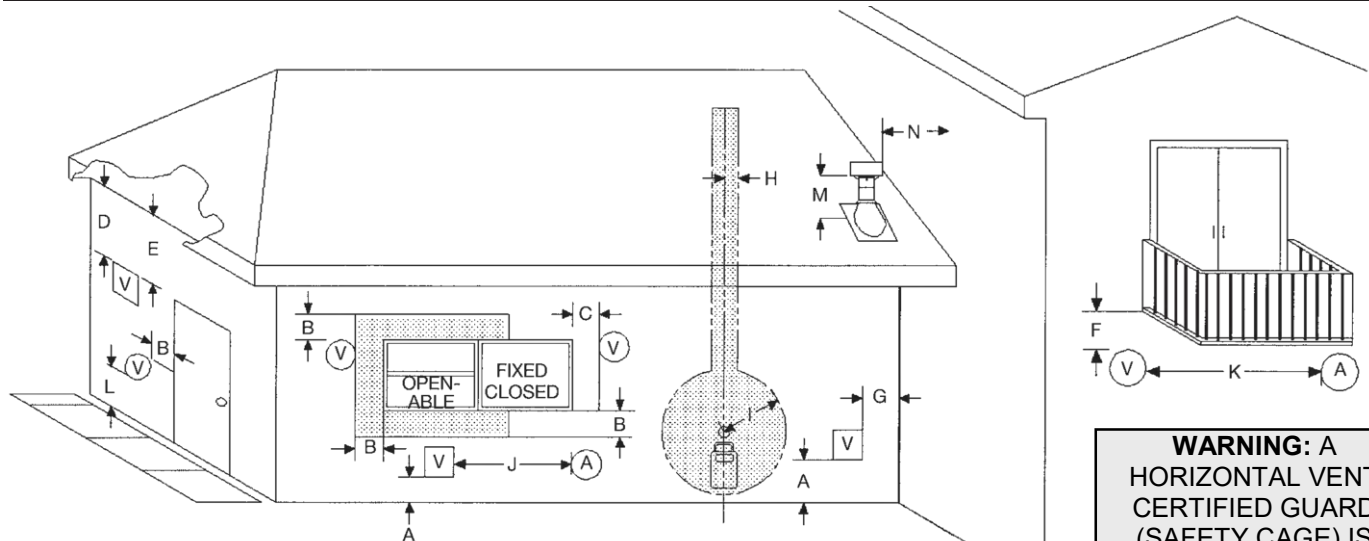


WARNING

BEFORE DOING ANY GAS CONTROL SERVICE WORK, REMOVE THE GLASS FRONT. Before troubleshooting the gas control system, be sure external gas shut off is in the "On" position.

Problem	Possible Causes	Corrective Action
Spark igniter will not light.	<p>Defective or misaligned electrode at pilot.</p> <p>Defective igniter (push-button).</p>	<p>Check for spark at electrode and pilot: if no spark and electrode wire is properly connected, replace igniter.</p> <p>Using a match, light pilot. If pilot lights, turn off pilot and push the red button again. If pilot will not light - check gap at electrode and pilot should be 1/8" to 1/4" to have a strong spark.</p>
Pilot will not stay lit after carefully following lighting instructions.	<p>Defective thermocouple (flame switch where applicable).</p> <p>Defective valve magnet.</p>	<p>Check pilot flame. Must impinge on generator and thermocouple. Clean and/or adjust pilot for maximum flame impingement on generator and thermocouple. Replace thermocouple if pilot will not hold. (Hand tight 1/8 turn on replacement)</p> <p>Replace valve, if pilot won't hold after the thermocouple is replaced.</p>
Pilot burning, no gas to burner, valve knob "ON", and wall switch "ON".	<p>Wall switch or wires defective.</p> <p>Generator may not be generating sufficient voltage.</p> <p>Plugged burner orifice.</p> <p>Defective automatic valve operator.</p>	<p>Check wall switch and wires for proper connections. Jumper wire across terminals at wall switch. If burner comes on, replace defective wall switch. If okay, jumper wires, across wall switch wires at valve. If burner comes on, wires are faulty or connections are bad.</p> <p>Check generator with millivolt meter. Take reading at generator terminals of gas valve. Should read 325 millivolts minimum while holding valve knob depressed in pilot position and wall switch "off" Replace faulty generator if reading is below specified minimum.</p> <p>Check burner orifice for stoppage and remove.</p> <p>Remove wall switch wires from gas valve. Install jumper wires from top bottom terminals of gas valve. Turn valve on "ON". If main burner does not light, replace valve.</p>
Frequent pilot outage problem.	Pilot flame may be too low or blowing (high) causing the pilot safety to drop out.	Clean and/or adjust pilot flame for maximum flame impingement on generator and thermocouple.
Flame lifts off burner and goes out in less than 30 seconds.	The inner liner has come off flue or termination, flame is starving for oxygen.	Attach the inner liner to flue or termination using screws, silicone and clamps as stated in manual.
Flame lifts off burner on one side while the rest of the flame remains lit.	Improper installation of firebrick. Firebrick is likely leaning.	Be sure to position firebrick against firebox walls and be sure to use brick clips attached to the inner side of firebox.

Vent Termination



WARNING: A HORIZONTAL VENT CERTIFIED GUARD (SAFETY CAGE) IS AVAILABLE WHEN REQUIRED BY LOCAL CODES.

- Area Where Terminal Not Permitted.
- Air Supply
- Measure to edge of the Termination Plate
- Measure to edge of the Round Termination

Notes:
 1) Clearances are to the edge of the terminal plate. Add 6-3/4" to clearances to arrive at centerline.
 2) Local codes or regulations may require different clearances.

- A. Clearance above grade, veranda, porch, deck, or balcony 12 inches (30cm) minimum.1
- B. Clearance to window or door that may be opened. 12 inches (30cm) minimum for appliances 100 000 Btuh (30 kW) and lower, in Canada. 9 inches₂ (23cm) for appliances 50 000 Btuh and lower, in USA.
- C. Clearance to permanently closed window minimum 12 inches (30cm) recommended to prevent condensation on window, in Canada. 9 inches₂ (23cm) for appliances 50 000 Btuh and lower, in USA.
- D. Vertical clearance to ventilated soffit located above the termination within a horizontal distance of 2 feet (60cm) from the center line of the termination. 18 inches (46cm) minimum.₅
- E. Clearance to unventilated soffit 12 inches (30cm) minimum.
- F. Clearance under veranda, porch, deck or balcony 12 inches₄ (30cm) minimum.₄ US₅
- G. Clearance from a perpendicular inside wall or outer corner to the edge of the vent terminal plate is 3" (minimum).
- H. Clearance to each side of center line extended above meter/regulator assembly 3 feet (91cm) within a height 15 feet (4.5m) above the meter/regulator assembly.
- I. Clearance to service regulator vent outlet 3 feet (91cm) minimum.₁ US₅
- J. Clearance to non-mechanical air supply inlet to building or the combustion air inlet to any other appliance: In Canada, 6 inches (15cm) for appliances ≤10,000 Btuh (3kW), 12 inches₁ (30cm) minimum for appliances >10,000 Btuh (3kW) and ≤100,000 Btuh (30kW), 36 inches (91cm) for appliances >100,000 Btuh (30kW). In the USA, 6 inches₂ (15cm) for appliances ≤10,000 Btuh (3kW), 9 inches (23cm) for appliances >10,000 Btuh (3kW) and ≤50,000 Btuh (15kW), 12 inches (30cm) for appliances >50,000 Btuh (15kW).
- K. Clearance to a mechanical air supply inlet 6 feet (1.8m) minimum (1), in Canada. In USA, 3 feet (91cm) above if within 10 feet (3m) horizontally(2).
- L. Clearance above paved sidewalk or a paved driveway located on public property 7 feet (2.1m) minimum.₃

- M. Clearance above highest point of exit on roof 18 inches (45cm).
- N. Clearance to perpendicular wall 24 inches (60 cm). (Recommended to prevent re-circulation of exhaust products. For additional requirements check local codes.)
- O. A moisture-exhaust duct shall not terminate within 3 ft (1 m) in any direction of a service regulator or fresh-air intake.

NOTE: Clearances are to the edge of terminal plate, add 6-3/4" to clearances to arrive at center line.
NOTE: Local Codes or Regulations may require different clearances.

Termination
 It is imperative that the vent termination be located observing the minimum clearances as shown. There must not be any obstruction such as bushes, garden sheds, fences, decks or utility buildings within 24" from the front of the termination plate. Do not locate termination where excessive snow or ice build-up may occur. Be sure to check vent termination area after snow falls and clear to prevent accidental blockage of venting system. When using snow blowers, make sure snow is not directed towards vent termination area. Venting terminal shall not be recessed into a wall or siding. If finishing the outside wall with vinyl or wood siding it is recommended that a Siding Shield be installed, Part Number ZDVSSLR.

1. In accordance with the current CSA B149.1, Natural Gas and Propane Code.
2. In accordance with the current ANSI Z223.1/NFPA 54, National Fuel Gas Code.
3. A vent shall not terminate where it may cause hazardous frost or ice accumulations on adjacent property surfaces.
4. Permitted only if veranda, porch, deck, or balcony is fully open on a minimum of two sides beneath the floor.
5. Clearance in accordance with local installation codes and the requirements of the gas supplier.

General Vent Installation Information

This gas appliance is approved to be vented either through the side wall or vertically through the roof. Only Kingsman Flex (Z-Flex) Venting Kits and components specifically approved and LABELED for this stove may be used. This appliance is also approved for use with Simpson-Duravent Direct Vent system (Model DV-GS Series), Ameri-Vent Direct Vent Pipe System, ICC Excel Direct, Metal Fab Sure-Seal DV and Selkirk Direct Temp.

RIGID OR HARD PIPE

When using M G Duravent, Ameri-Vent pipe, ICC Excel Direct, Metal Fab Sure-Seal DV and or Selkirk Direct Temp a Duravent hard pipe adapter must be used (part # ZDVVFA for fireplaces and part # ZDVVKA for Stoves, Serenity and ZDV3624B). Follow installation instructions provided by M G Duravent/Ameri-Vent/Selkirk Direct Temp, ICC Excel Direct, and Metal Fab Sure-Seal DV for installation of pipe and adhere to the clearance to combustibles provided in this manual. Apply a bead of Mill Pac high temp sealant to all joints of pipes, adapters and termination, when using Kingsman Flex (Z-Flex) venting and M G Duravent venting.

FLEX PIPE VENTING

Kingsman Flex pipe is shipped in unexpanded length. When installing pipe expand the lengths. Pipe can be expanded to twice their lengths e.g. 4ft. to 8ft. Fully expand pipe and cut off excess. Do not use more than 2 couplers to extend short pipes. Single sections are preferred in an installation attaching at the fireplace and termination.

Place the spring spaces provided approximately every two feet to stabilize 4" flex in the center of 7" flex. When forming bends place spring in bend or before and after. (See Fig. 1). Horizontal runs require support metal straps every 2 feet. In offset installation support straps should be used to stabilize pipe.

Expand 4" and 7" flex pipe to the point that the 7" protrudes approximately 2 to 3 inches past outer wall and the 4" flex protrudes approximately 2 to 3 inches past the 7" flex. (See Fig. 1). Attach the 4" pipe to the termination first and secure with sealant and screws then attach the 7" flex to the termination with caulking and screws. Termination may then be moved back to the outer wall and attached to home screwing into the framing. Silicone around termination to waterproof. If siding shield is going to be used attach this using same attaching hole as the top of termination after termination has been caulked for waterproofing.

Use Hi Temp Sealant

Apply a bead of Mill Pac high temp sealant to all joints and use four screws to secure each pipe at fireplace, termination and any joint if joining any sections of pipe.

FRAMING DIMENSION

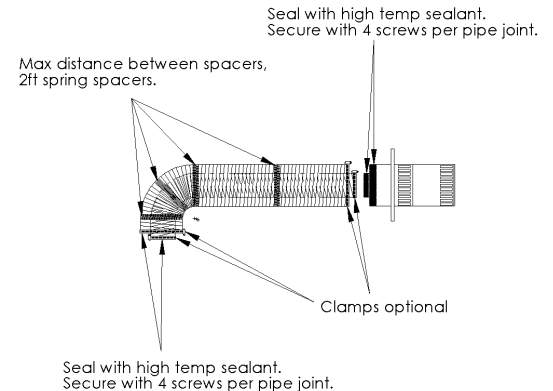
Combustible Wall

Cut an 11" hole through exterior wall and frame as shown below.

Non Combustible Wall

Cut or drill 8" or 204mm diameter hole.

Figure 1



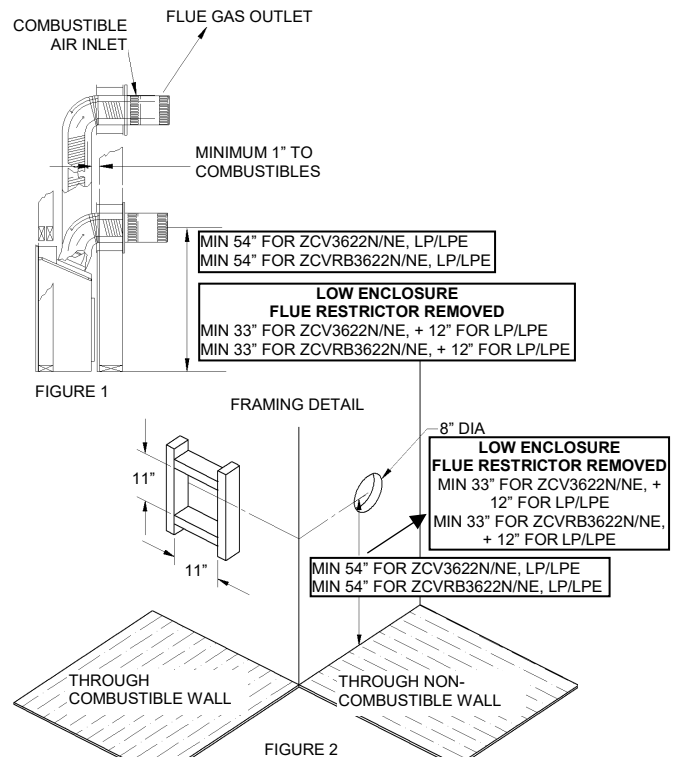
NOTE: It is critical to the proper and safe operation of this fireplace that on all connections the inner liner and the outer casing are both caulked with liberal amounts of sealant. Do not use any kind of tape or silicone other than that recommended in this manual, Mill Pac Sealant

⚠ WARNING: DO NOT mix parts from different systems unless stated in the manual.

Installation of Side Wall Venting

- To determine the minimum distance from the bottom of fireplace to center of vent see the **Framing Your Gas Fireplace** section. Cut a hole through the wall allowing for an 11" x 11" (inside diameter) in combustible walls for wall thimble or an 8" diameter hole in a non-combustible wall (See Figure 2).
- For the clearance to combustibles above a 90 degree bend see **Clearance to Combustibles** section.
- Select the approximate vent length, precise measurements are not needed as your flex pipe can be expanded to twice its shipped length for ease of installation
- To install wall thimble center over 11" x 11" (inch) framing from both sides of wall and secure. Route flex vent pipe through wall thimble (See Figure 1).
- Before joining pipes, apply a bead of high temperature sealant (Mill Pac) to end of pipe. First attach the four inch (4") flue pipe to the vent termination with sealant, and secure with the four screws provided. At this time make sure the spacer springs are attached to the (4") flex pipe as required. Then attach the seven inch (7") pipe by the same method.
- Mount vent termination and seal to wall using caulking around the wall thimble to weather proof. After installing the vent termination, double check to make sure the pipe extends properly through wall thimble and into vent termination.
- Before joining pipes to fireplace flue, apply a bead of high temperature sealant (Mill Pac) to end of pipe. First attach the four inch (4") flue pipe to fireplace with sealant, and secure with the four screws provided. At this time verify that the spacer springs are attached properly to the (4") flex pipe as required. Then attach the seven inch (7") pipe by the same method.
- Support horizontal pipes every two (2) feet (61 cm) with metal strap bands. Re-check fireplace to make sure it is levelled and properly positioned and secured.
- Support vertical pipes to maintain a minimum of 1" or greater clearance to combustibles with metal strapping bands.
- If finishing the outside wall with vinyl or wood siding it is recommended that a Siding Shield be installed, Part Number ZDVSSLR.

Note: Vent Termination must not be recessed into wall or siding.



WARNING: A HORIZONTAL VENT CERTIFIED GUARD (SAFETY CAGE) IS AVAILABLE WHEN REQUIRED BY LOCAL CODES.

Venting Routes and Components

Since it is very important that the vent system maintain its balance between the combustion air intake and the flue gas exhaust, certain limitations as to vent configurations apply and must be strictly adhered to.

The table showing the relationship between vertical and horizontal side wall venting will help to determine the various vent lengths.

The maximum horizontal run is 20 ft/6.1 m when the vertical run is 7 ft/2.1m (Figure #2). Note: 1/4" vertical rise is required for every 12" of horizontal run.

The maximum number of 45 degree bends per side wall installation is two (2) in the horizontal run and then you must reduce the length of the horizontal by 18 inches for each 45 degree bend.

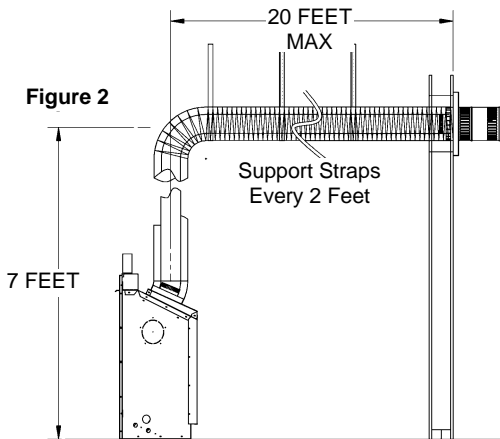
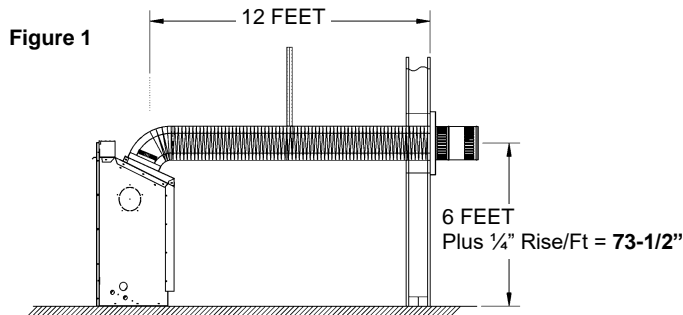
The maximum vertical run is 43 ft./13.1meters.

Special Note: For each 45 degree bend installed in the horizontal run, the length of the horizontal run must be reduced by 18" (45cm). This does not apply if the 45 degree bends are installed on the vertical part of the vent system.

Example: If according to the table, the length of the horizontal run is 10 feet, and two 45 degree bends are required, the horizontal run length must be reduced to 7 feet.

2 additional 90° bends or equals are allowed. The horizontal run must be reduced by 36" per each 90° bend, or 18" per each 45° bend.

IMPORTANT: Always locate the fireplace in such a way that a minimum of offsets and/or horizontal runs are required. 1/4" vertical rise is required for every 12" horizontal run.



How to Use the Horizontal Vent Table

1. Determine the height of the system and the number of bends required.
2. Having determined the vertical distance determine the maximum horizontal section allowed.
3. Vent table has been established for 90° horizontal/vertical runs. With use of flex pipe distance not having 90° bends will not fall into vent table standards. See Fig. B.

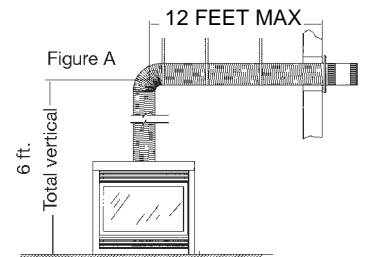
-Horizontal Venting Table from Bottom of Fireplace-

For venting to a maximum of 43ft (13.1 meters).

Total Vertical		Max Total Horizontal	
Feet	Meters	Feet	Meters
*33" LOW ENCLOSURE (flue restrictor removed)	.84	2	.61
4 (flue restrictor removed)	1.2	5	1.5
54"	1.37	5	1.5
5	1.5	8	2.4
6	1.8	12	3.7
7	2.1	20	6.1
8	2.4	20	6.1
9	1.8	20	6.1
10	3.0	20	6.1
11	3.4	20	6.1
12	3.7	20	6.1
13	4.0	20	6.1
14	4.3	20	6.1
15	4.6	20	6.1
20	6.1	20	6.1
25	7.6	15	4.6
30	9.1	10	3.0
40	12.2	0	0
43 (Max)	13.1	0	0

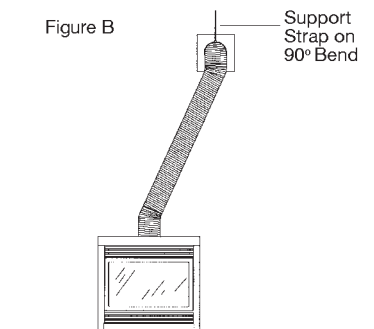
Example A:

If the vertical dimension from the floor of the fireplace is 6ft, the horizontal run to the wall flange of the vent termination must not exceed 12ft.



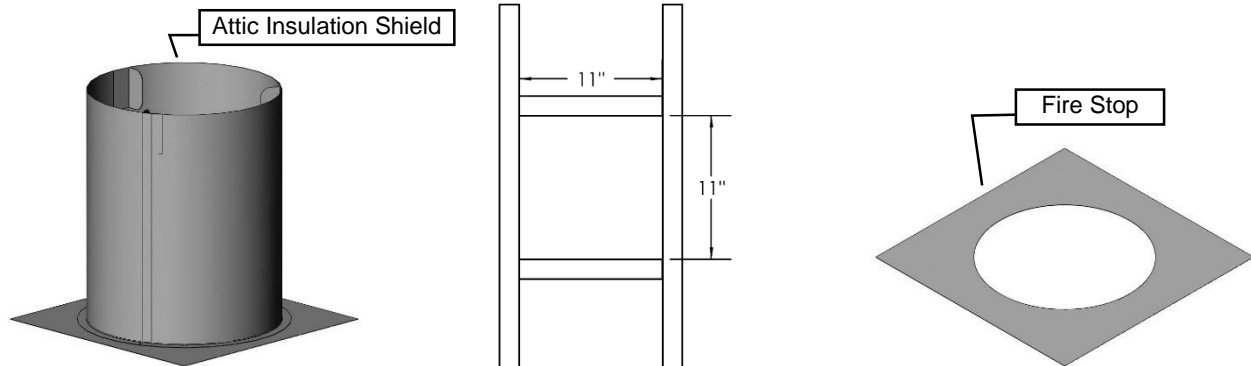
NOTE: The final location of the fireplace must be such that the horizontal vent dimensions fall within those stated on the graph. The Maximum Vertical vent run is 43ft. (13.1 meters).

Important: Minimum clearance between vent pipes and combustible materials is 1 inch (25mm).



*For Propane Horizontal installations the venting must be an additional one foot above the minimum vertical rise off the flue before going horizontal.

An Attic Insulation Shield must be installed where the vent passes from a lower living space into an attic space where the chimney is not enclosed. It is designed to keep insulation materials away from the chimney. When installing the Attic Insulation Shield where the chimney passes from a living space to an attic space, install the shield from below and nail in place using 1" spiral nails. A fire stop must be installed on the bottom side of the joists when passing through a ceiling or floor. If an attic insulation shield is to be used, a fire stop is not required.



Using Flex Bends

Avoid cutting joists by offsetting the flex pipe.

When using 45° bends a bend support is required directly above the highest bend.

When installing a bend in a joist area a minimum of 4" clearance to combustibles to the top of bend must be maintained, sides and bottom of pipe, a 1" clearance to combustibles must be maintained. If running horizontal through an area a 1-1/2" minimum clearance to the top of the horizontal pipe must be maintained.

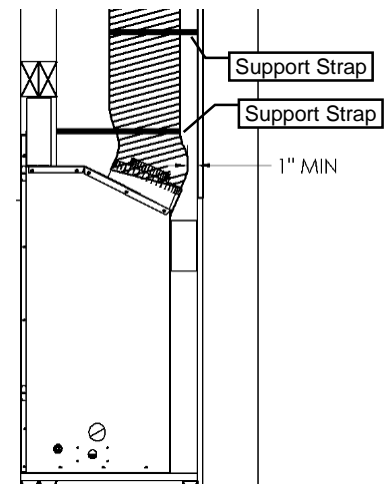
Maximum vertical height of system should not exceed 43 feet.

Use roof support and rigid pipe at roof level. Flex pipe is not permitted within roof support.

When penetrating the roof a rigid galvanized pipe must be used. Attach flex pipe to the rigid pipe with high temperature sealant, secure with four screws assuring the flex pipe and rigid pipe are secured. Attach rigid pipe to termination with sealant and screw with 4 sheet metal screws. The Inner flex pipe must be secured with 4 screws which must penetrate both the flex pipe and inner section of termination. Attach 7" rigid pipe to 7" termination with sealant and screw with 4 sheet metal screws.

Vertical termination clearance is 18" [45.7cm] above the roof, measured from highest point of exit on the roof line.

Support vertical pipes to maintain minimum of one inch or greater clearances to combustibles.



Roof Flashing

Ensure that you have the proper roof flashing by checking your roof pitch using a level and two rulers, or by using a roof pitch card. Slide a Roof Flashing suitable to your roof slope over the vent. Place the edge of the flashing plate that will be on the higher part of the roof slope under the shingles. Both the sides and the lower edge lay on top of the shingles.

NOTE: At the top edge of the flashing plate, lift the shingles and nail the plate to the roof deck, then cement the shingles to the plate with a suitable waterproof mastic.

Ensure that the chimney is plumb. Square up the flashing plate and nail in place to the roof deck. Use 12 nails with neoprene washers or cover the heads with a suitable waterproof mastic. Wrap the storm collar around the vent above the flashing. Secure the ends together loosely with nut and bolt supplied. Slide the collar down the vent until it comes in contact with the flashing. Tighten the bolt and seal the Storm Collar to the vent with a suitable waterproof non-combustible mastic.

The flashing and storm collar should be painted to match the roof shingles. This will extend its life and improve the appearance. Clean, prime and paint with suitable painting products.

Vertical Venting in Cold Climates

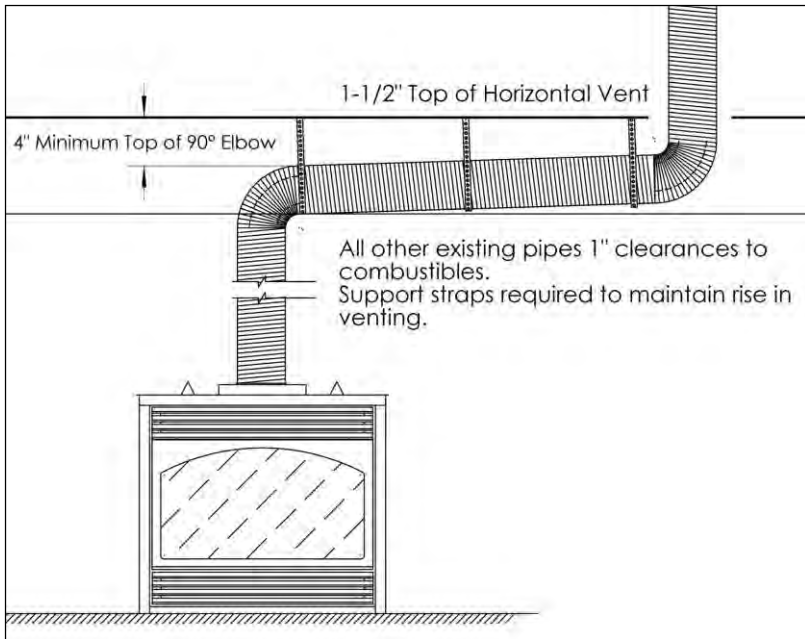
In cold climate conditions where temperatures go below -10 degrees Celsius or 14 degrees Fahrenheit, we recommend that the chase be insulated and where the vent pipe enters into the attic space that the pipe be wrapped with an insulated Mylar sleeve. This will increase the temperature of the vent and help the appliance to vent properly in cold weather conditions.

It is also important in vertical vented direct vent appliances that the appliance be operated daily during the winter months as this will help stop the termination from freezing up.

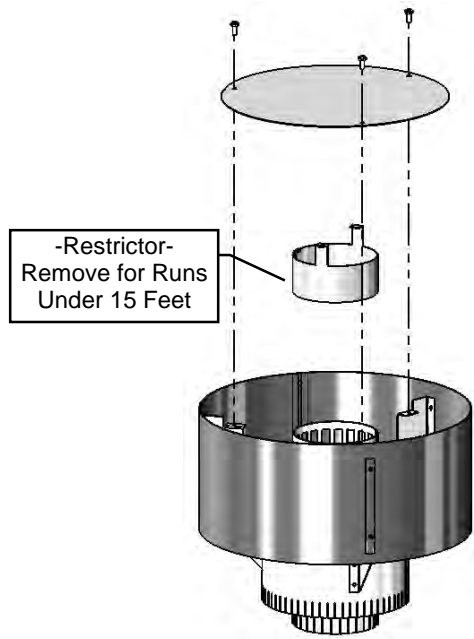
We recommend using a thermostat set at room temperature to allow the unit to cycle.

For IPI models it may be necessary to set the appliance to Standing Pilot mode to maintain heat in the cavity. The purpose of this procedure is to prevent cold air from penetrating the chimney and then onto the living space. Therefore, when the internal temperature is slightly elevated the fireplace is able to freely exhaust its combustion and hence making it easier to start up.

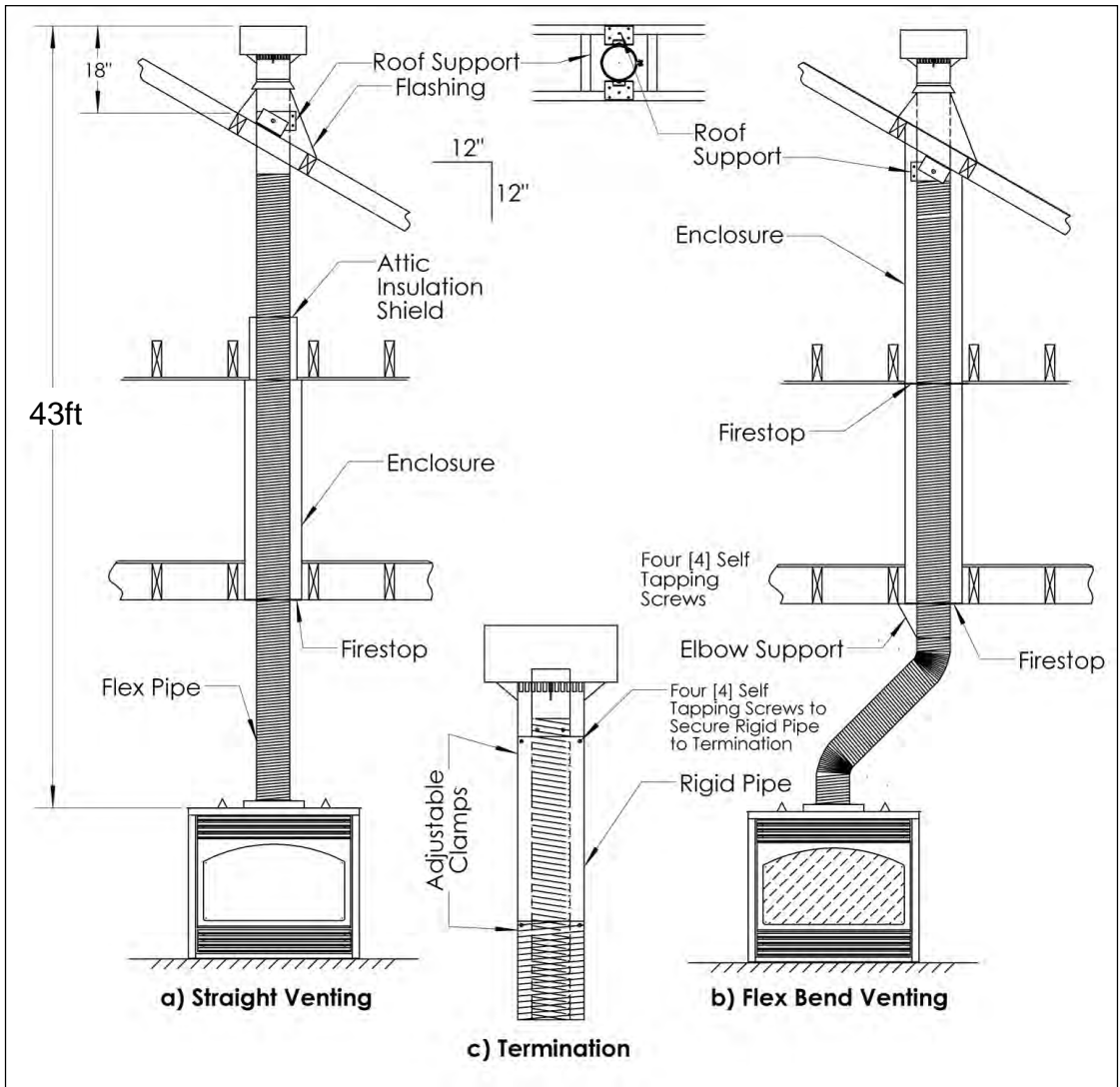
-ALSO SEE DIAGRAMS ON FOLLOWING PAGE-



Clearances in horizontal venting.



FDVVT40

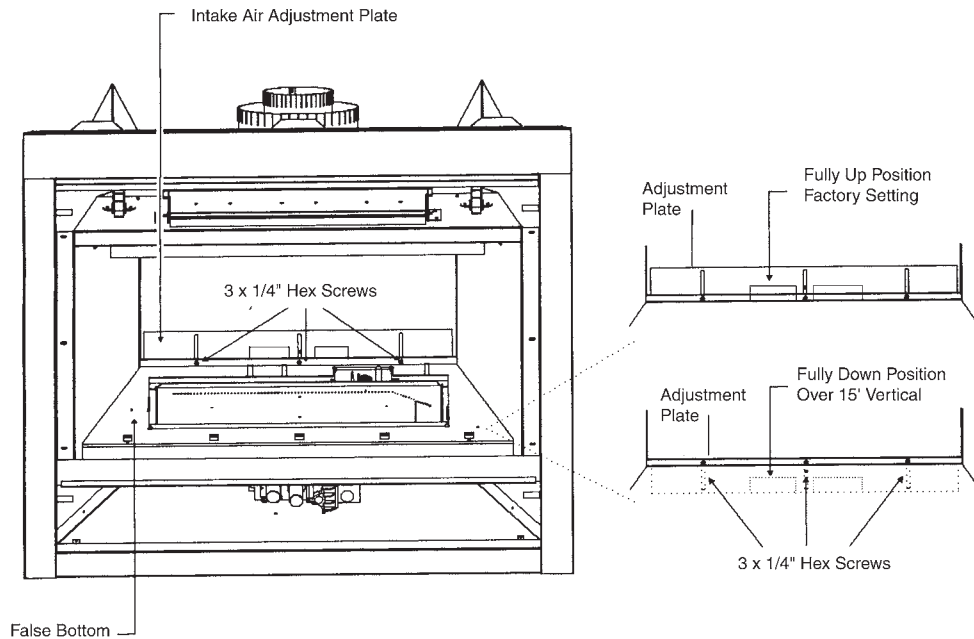


Straight-through roof support configuration; b) Flex bend configuration; c) Termination mounting

Vertical Venting over 15 Feet

The Air Intake plate must be adjusted down to the lowest position when venting over 15 ft. vertical.

15' OR OVER VERTICAL VENTING AIR INTAKE ADJUSTMENT PLATE



NOTE: Unit comes preset for short horizontal or vertical venting under a 15 feet run.

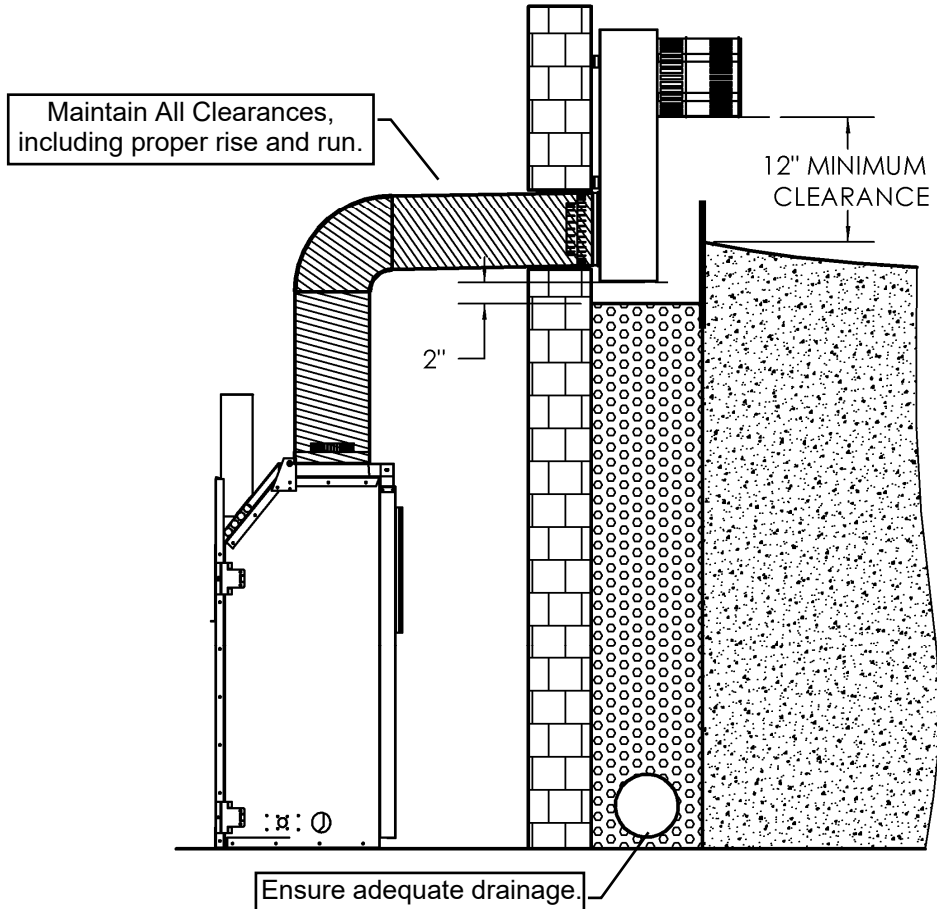
Follow these instructions when venting exceeds 15 foot run.

1. Locate the 3 x 1/4" hex screws and using a nut driver loosen the screws 1 turn.
2. Lower the Air Adjustment Plate as shown in the diagrams. (Fully Down Position).
3. Tighten the 3 x 1/4" hex screws.

Two snorkel terminations are available if a vertical rise is necessary on the exterior side of a building:

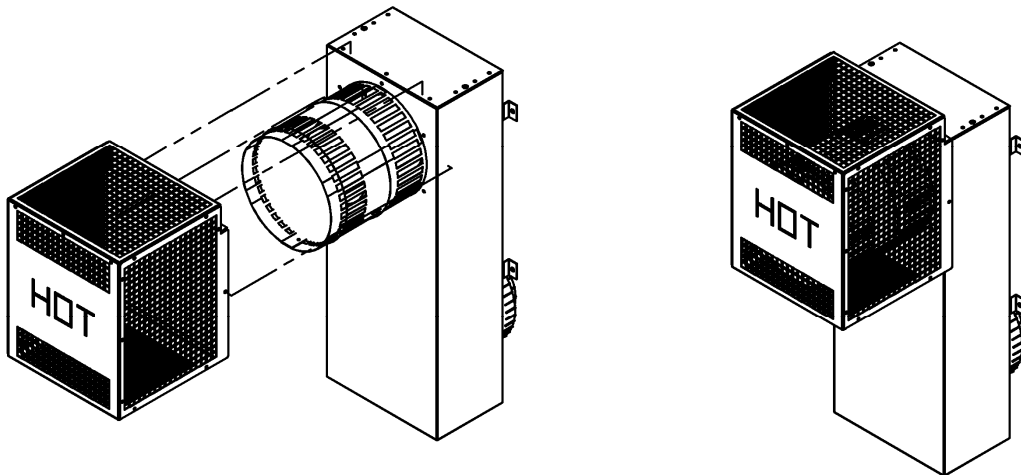
Z47ST24 (24" Tall, 14-1/2" Center to Center) **Z47ST36** (36" Tall, 26-1/2" Center to Center)

Follow standard horizontal venting installation procedures. If the Snorkel Termination is to be located below grade, a window well is recommended with adequate and proper drainage as per local codes. Leave 2" clearance below snorkel to prevent water from entering the Snorkel Termination. Do not enclose the Snorkel within a wall or other type of enclosure and **do not back fill**. Ensure that grade level slopes away from the building. Follow all local codes.



-FOLLOW ALL LOCAL CODES-

- A safety cage (Z57STSC) is also available. Place safety cage over snorkel and mount with [4] DT screws (supplied with safety cage).



PVH58 POWER VENT PARTS LIST

NUMBER	DESCRIPTION
--------	-------------

PVH58	Horizontal Power Vent Termination
PVC58MV	Power Vent Control Module – Millivolt Box
PVC58IPI	Power Vent Control Module – IPI Box
PVH20H	Main Wiring Harness Assembly – Extension Harness (20ft)

4/7 VENTING AND VENTING ADAPTERS

For fireplaces to be converted to hard pipe (DuraVent-DirectVent Pro, etc.) at the fireplace:

ZDVDKA	DuraVent Fireplace Adapter (ZRB46 Only)
ZDVDFFA	DuraVent Fireplace Adapter
ZDVDDIA	DuraVent Pipe Increaser (Adapts 4/6-5/8" venting to 5/8")

For Power Vent installations where flex pipe will be used up to the Power Vent unit:

Z47PVA	Pipe Reducer 8"Sm – 7"Sm, Pipe Reducer 5"Sm – 4"Sm (Adapts PVH58 to accept 4/7" Flex Pipe
--------	---

*** One 12" section of hard pipe must be connected directly to the Power Vent before any adapters are connected.**

Order the appropriate lengths of venting (see below).

ZDVFK5	Flex Kit (4" & 7" Dia.) x 2.5' (Unexpanded) 5' Expanded
ZDVFK8	Flex Kit (4" & 7" Dia.) x 4' (Unexpanded) 8' Expanded
ZDVFK20	Flex Kit (4" & 7" Dia.) x 10' (Unexpanded) 20' Expanded
	*Kits are complete with spring stand-offs & silicone.
ZDV4FC	Flex Connector 4" Diameter
ZDV7FC	Flex Connector 7" Diameter
ZDV4SS	Spring - Standoff Spacer for Inner Pipe

ZCV3622 Parts List

FIREPLACE PART NUMBERS

ZCV3622N	(Millivolt) Fireplace Heater Rated, NG, 18,000BTU, Tempered Glass, Safety Screen
ZCV3622 NE	(IPI) Fireplace Heater Rated, NG, 21,000BTU, Tempered Glass, Safety Screen
ZCV3622LP	(Millivolt) Fireplace Heater Rated, LP, 18,000BTU, Tempered Glass, Safety Screen
ZCV3622LPE	(IPI) Fireplace Heater Rated, LP, 18,000BTU, Tempered Glass, Safety Screen

LOG SET

LOGC51	Oak Log Set – 5pc.
ULK2	Universal Light Kit
Bulb	10W 12V 64418 or [Sylvania 58691] (Lightbulbs not covered under Warranty.)

LOG SETS/ROCK/GLASS KITS

-MQ DEALER ONLY-

MQLOGC23	Driftwood Log Set – 4pc.
MQLOGC22	Log Set - 5 pc. - /Fibre Split Oak
MQROCK1	Rock Set
MQRSP5	Rock Platform, Support

FIREPLACE SURROUNDS & KITS

ZCV36S1BL	Surround Trim Kit for ZCV3622 Black (34-1/16”T x 39”W)
ZCV36LMK	Lower Magnet Kit- [2] Magnets, [2] Access Panel Brackets
3622RB-135	Access Panel (Requires ZCV36LMK)

Child Safety Screens

IDV36CSS	ZCV3622 Safety Screen Replacement
----------	-----------------------------------

Fan Kit/ Blower

Z36FK	Fan Kit w/Variable Speed Wall Mount Control (Temperature Sensing)
2000-081	Blower Motor QL657/1800(Z36FK MOTOR)

Refractory Liners

ZCV3622PRL	Porcelain Reflective Liner
ZCV3622ML	Metal Liner Traditional

Door Glass

36HB-311	Tempered Glass - ZCV3622
36HB-123A	Door Latch Assembly
36HB-123	Upper Door Spring

Replacement Burner Assembly

3622ZCV-BNGSI	Burner Assembly - Natural Gas c/w Valve System (ZCV3622N)
3622ZCV-BNGSIE	Burner Assembly - Natural Gas c/w Valve System (ZCV3622NE)
3622ZCV-BLPSI	Burner Assembly - Liquid Propane c/w Valve System (ZCV3622LP)
3622ZCV-BLPSIE	Burner Assembly - Liquid Propane c/w Valve System (ZCV3622LPE)

Conversion Kit (Sit Valve Only)

3622-CKLP	Propane Conversion Kit (Millivolt)
3622-CKNG	Natural Gas Conversion Kit (Millivolt)
3622-CKLPI	Propane Conversion Kit (IPI)
3622-CKNGI	Natural Gas Conversion Kit (IPI)

ZCVRB3622 Parts List

FIREPLACE PART NUMBERS

ZCVRB3622N (Millivolt) Linear Fireplace, Heater Rated, NG, 17,500BTU, Low-E Tempered Glass, Safety Screen, 5lb Decorative Bronze Glass

ZCVRB3622NE (IPI) Linear Fireplace, Heater Rated, NG, 17,500BTU, Low-E Tempered Glass, Safety Screen, 5lb Decorative Bronze Glass

ZCVRB3622LP (Millivolt) Linear Fireplace, Heater Rated, LP, 17,500BTU, Low-E Tempered Glass, Safety Screen, 5lb Decorative Bronze Glass

ZCVRB3622LPE (IPI) Linear Fireplace, Heater Rated, LP, 17,500BTU, Low-E Tempered Glass, Safety Screen, 5lb Decorative Bronze Glass

ACCESSORY OPTIONS

ULK2 Universal Light Kit

Bulb 10W 12V 64418 or [Sylvania 58691]
(Lightbulbs not covered under Warranty.)

ZG5C Bronze Glass 1/2" (5LBS)

ZCVRB3622 OPTIONS -MQ DEALER ONLY-

MQRBD1 Driftwood/Rocks, 4 ea.

MQSTONE Decorative Stones

MQROCK2 Rock Set Natural

MQROCK3 Rock Set Multi-Color

MQEMBER Glowing Embers [2 ea.]

MQG5W Decorative Glass 1/2" White

MQG5A Decorative Ember Glass Cobalt Blue

MQG5C Decorative Ember Glass - Bronze

MQG5B Decorative Ember Glass - Black

FIREPLACE SURROUNDS & KITS

ZCVRB36SBL Surround Trim Kit for ZCVRB3622
Black (22-7/8"T x 35-15/16"W)

ZCVRB36SSS Surround Trim Kit for ZCVRB3622
Stainless Steel (22-7/8"T x 35-15/16"W)

ZCV36LMK Lower Magnet Kit- [2] Magnets, [2] Access
Panel Brackets

3622RB-135 Access Panel (Requires ZCV36LMK)

Child Safety Screens

Z36CSS ZCVRB3622 Safety Screen Replacement

Fan Kit/ Blower

Z36FK Fan Kit w/Variable Speed Wall Mount Control
(Temperature Sensing)

2000-081 Blower Motor QLN657/1800(Z36FK MOTOR)

Refractory Liners

Z3622PRL Porcelain Reflective Liner

Z3622ML Metal Liner Traditional

Door Glass

3600-311E Low-E Tempered Glass - ZCVRB3622

36HB-123A Door Latch Assembly

36HB-123 Upper Door Spring

Replacement Burner Assembly

3622CVRB-BNGSI Burner Assembly - Natural Gas c/w
Valve System (ZCVRB3622N)

3622CVRB-BNGSIE Burner Assembly - Natural Gas c/w
Valve System (ZCVRB3622NE)

3622CVRB- BLPSI Burner Assembly - Liquid Propane c/w
Valve System (ZCVRB3622LP)

3622CVRB- BLPSIE Burner Assembly - Liquid Propane c/w
Valve System (ZCVRB3622LPE)

Conversion Kit (Sit Valve Only)

3622RB-CKLP Propane Conversion Kit (Millivolt)

3622RB-CKNG Natural Gas Conversion Kit (Millivolt)

3622RB-CKLPI Propane Conversion Kit (IPI)

3622RB-CKNGI Natural Gas Conversion Kit (IPI)

ZCV3622 / ZCVRB3622 Common Parts and Venting

Catalog Number	Description
Valve System Parts - New Top convertible SIT (Millivolt)	
FP15GC	Stainless Steel Gas Connector
1000-P136WR	Generator/Thermopile
1001-P069SI	Electrode Sparker 915.069 TC SIT
1001-P216SI	Thermocouple 290.216 TC SIT
1001-P165SI	Orifice Pilot NG 977.165 TC SIT
1001-P167SI	Orifice Pilot LP 977.167 TC SIT
1001-P280SI	Tubing 24"
1001-P633SI	Valve Nova LP Hi/Lo 0820651
1001-P634SI	Valve Nova NG Hi/Lo 0820652
1001-P713SI	Pilot Burner LP 199.713 TC SIT
1001-P714SI	Pilot Burner NG 199.714 TC SIT
DCHS	Remote Control Heatshield
Remote Control / Millivolt	
*GFRC	Remote Control Millivolt / IPI – On/Off
*GTRC	Remote Control Millivolt - Thermostat
*GTMR CN	Remote Control Millivolt – Thermostat/Modulating - NG
*GTMRCP	Remote Control Millivolt – Thermostat/Modulating - LP
Electronic Ignition/Remote Control IPI	
*EGTRC	Remote Control IPI (Thermostat)
*EGTMR CN	Remote Control IPI (Thermostat/Modulating - NG)
*EGTMRCP	Remote Control IPI (Thermostat/Modulating - LP)
Electronic Ignition Replacement Parts IPI	
1002-P001si	Valve IPI (NG; ON/OFF)
1002-P002si	Valve IPI (LP; ON/OFF)
1006-P002si	Valve IPI (NG; Hi/Lo)
1006-P603si	Valve IPI (LP; Hi/Lo)
1002-P047si	Pilot Assembly (LP)
1002-P033si	Pilot Assembly (NG)
1002-P089si	Spark Electrode (Long)
1002-P113si	Electrode Flame Sensor (Long)
1002-P302si	IPI Ignition Board
1002-P850si	AC Wall Adapter
1002-P12BH	Battery Pack
1002-P912si	Wiring Harness
1001-P166si	Orifice Pilot (NG #62)
1001-P168si	Orifice Pilot (LP #35)
1002-P013si	Stepper Motor (NG)
1002-P012si	Stepper Motor (LP)
1002-P016si	Hi/Lo Regulator (NG)
1002-P014si	Hi/Lo Regulator (LP)
Miscellaneous Parts	
1000-150GE	Silicone GE Red IS806 #736
1000-150MP	Hi-Temp Millpac Sealant 840099
1000-214	Piezo-Igniter 1244-17 MARK 21
1000-215	Pal Nut (18MMX1.5MM)BLK (1364.03)
1000-218	Switch Ivory (1451/001)
1000-227	Cover Ivory (86001/001)
1000-255	Orifice Brass - (State Size)
6000-130	Explosion felt Gasket
2000-080	Thermodisc 2450 (For Blower)
1000-306	Thermalcord - Adhesive Back for Door Frame

1000-085 Control Variable Speed KBWC-13BV

Kingsman Fireplace Venting

Number	Description
ZDVHSK	Horizontal Vent Starter Kit - 3 FT Length Horizontal Vent Termination, Wall Thimble, 36" Flex Pipe, Mill Pac.
ZDVHSK5	Horizontal Vent Starter Kit - 5 FT Length Horizontal Vent Termination, Wall Thimble, 60" Flex Pipe, Mill Pac.
FDVVT40	Vertical Vent Termination converts from 15'-40' to 15' and under
FDVHT	Horizontal Vent Termination
FDVHSQ	Horizontal Square Termination
FDVHSCU	Safety Cage for Horizontal Termination
Z47ST24	Horizontal Snorkel Termination (24" Tall, 14-1/2" Center to Center)
Z47ST36	Horizontal Snorkel Termination (36" Tall, 26-1/2" Center to Center)
Z57STSC	Safety Cage for Horizontal Snorkel Termination
ZDVAIS	Attic Insulation Shield
ZDVAIS24	Attic Insulation Shield- 24"
ZDVVOS	Offset Support
ZDVFS	Firestop Spacer
ZDVRS	Roof Support
ZDVWT	Wall Thimble (Horizontal Venting)
ZDVSSLR	Siding Shield - Large Return
ZDV48GP	Galvanized Pipe 7" Dia. x 48" (Vertical Installations)
ZDVAAF	Flashing 7" c/w Storm Collar (1/12 to 7/12)
ZDVAF2	Flashing 7" c/w Storm Collar (8/12 to 12/12)
ZDVAF3	Flashing 7" c/w Storm Collar Flat
ZDV7SC	Storm Collar 7"
ZDVFK5	Flex Kit (4" & 7" Dia.) x 2.5' (Unexpanded) 5' Expanded
ZDVFK8	Flex Kit (4" & 7" Dia.) x 4' (Unexpanded) 8' Expanded
ZDVFK20	Flex Kit (4" & 7" Dia.) x 10' (Unexpanded) 20' Expanded
*Kits are complete with spring stand-offs & silicone.	
ZDV4FC	Flex Connector 4" Diameter
ZDV7FC	Flex Connector 7" Diameter
ZDV4SS	Spring 4" Standoff Spacer
ZDVDF A	Dura-Vent Fireplace Adapter (for ZDV33/36/42/47, ZDV6000, & HB models)
MDV30/38	
ZDVHSKSQ	Horizontal Square Termination Vent Starter Kit -3 FT Length Horizontal Vent Termination, Wall Thimble, 36" Flex Pipe, Mill Pac
ZDVHSKSQ5	Horizontal Square Termination Vent Starter Kit -5 FT Length Horizontal Vent Termination, Wall Thimble, 60" Flex Pipe, Mill Pac



LIMITED LIFETIME WARRANTY

This Limited Lifetime Warranty applies only while the unit remains at the site of the original installation and only if the unit is installed inside the continental United States, Alaska, Hawaii, and Canada. The warranty applies only if the unit is installed and operated in accordance with the printed instructions and in compliance with applicable installation and building codes and good trade practices.

BASIC ONE YEAR WARRANTY

During the first year after installation, we will provide a replacement for any component part of your unit found to be defective in materials or workmanship, including labour costs. Repair work requires prior approval by Kingsman, labour costs are based on a predetermined rate schedule and any repair work must be done through an authorized Kingsman dealer.

(Excluded Components: Accent Light Bulbs, Gasketing and Paint)

LIMITED LIFETIME WARRANTY

The heat exchanger, combustion chamber and burner of every Kingsman product excluding the Outdoor Firepit are warranted against materials or workmanship during the period the product is owned by the original owner. The part to be replaced must be returned to our distributor in exchange for the replacement part. Any labor, material, freight and/or handling charges associated with any repair or replacement pursuant to this Limited Lifetime Warranty will not be covered by this warranty.

GENERAL TERMS

In lieu of providing a replacement part, we may, at our option, provide the distributor's component purchase price from us or a credit equal to the distributor's component purchase price from us toward the purchase of any new unit which we distribute. If a credit is given in lieu of a replacement part, the rating plate from the unit being replaced must be submitted on a warranty claim, and the unit being replaced must be made available to our distributor for disposition.

In establishing the date of installation for any purpose, including determination of the starting date for the term of this Limited Lifetime Warranty, reasonable proof of the original installation date must be presented*, otherwise the effective date will be based upon the date of manufacture plus thirty (30) days.

We will not be responsible for and you, the user, will pay for: (a) damages caused by accident, abuse, negligence, misuse, riot, fire, flood, or Acts of God (b) damages caused by operating the unit where there is a corrosive atmosphere containing chlorine, fluorine, or any other damaging chemicals (other than in a normal residential environment) (c) damages caused by any unauthorized alteration or repair of the unit affecting its stability or performance (d) damages caused by improper matching or application of the unit or the unit's components (e) damages caused by failing to provide proper maintenance and service to the unit (f) any expenses incurred for erecting, disconnecting or dismantling the unit (g) parts or supplies used in connection with service or maintenance (h) damage repairs, inoperation or inefficiency resulting from faulty installation or application (i) electricity or fuel costs or any increase in electricity or fuel cost whatsoever including additional or unusual use of supplemental electric heat.

We shall not be liable for any incidental, consequential, or special damages or expenses in connection with any use or failure of this unit. We have not made and do not make any representation or warranty of fitness for a particular use or purpose, and there is no implied condition of fitness for a particular use or purpose. We make no express warranties except as stated in this Limited Lifetime Warranty. No one is authorized to change this Limited Lifetime Warranty or to create for us any other obligation or liability in connections with this unit. Any implied warranties shall last for one year after the original installation. Some states and provinces do not allow the exclusion or limitation of incidental or consequential damages or do not allow limitations on how long an implied warranty or condition lasts, so the above limitations or exclusions may not apply to you. The provisions of this limited warranty are in additions to and not a modification of or subtraction from any statutory warranties and other rights and remedies provided by law.

Save this certificate. It gives you specific legal rights, and you may also have other rights which may vary from state to state and province to province.

In the event your unit needs servicing, contact your dealer or contractor who installed or serviced your unit. When requesting service, please have the model and serial number from each unit readily available. If your dealer needs assistance, the distributor is available for support and we, in turn support the distributor's efforts.

Fill in the installation date and model and serial numbers of the unit in the space provided below and retain this limited warranty for your files.

Model No. _____ Serial No. _____ Date installed _____

Dealer or Contractor Name: _____

*To receive advantage of your warranty, you must retain the original records that can establish the installation date of your unit.

The Ultimate in Design, Engineering & Quality