



## ZVFCV39/42/47

ZERO CLEARANCE UNIVERSAL VENT FREE GAS FIREPLACE



THE ULTIMATE IN DESIGN, ENGINEERING & QUALITY

Unit illustrated is a ZVFCV42 Zero Clearance Universal Vent Free Fire Place, with GLVF24MVN Vent Free Millivolt Natural Gas Burner, LOGF24 Fibre Split Oak Log Set, ZCV42RLH Herringbone Brick Liner.



2340 Logan Avenue  
 Winnipeg, Manitoba, Canada R2R 2V3  
 Phone: (204) 632-1962 Fax: (204) 632-1960  
[www.kingsmanfireplaces.com](http://www.kingsmanfireplaces.com)

Model:	GLVF24MAN	GLVF24MAP	GLVF24MVN	GLVF24MVP
Fuel:	Natural	Propane	Natural	Propane
Gas Control:	Manual	Manual	Millivolt	Millivolt
Input Max:	38,250 BTU	38,000 BTU	38,250 BTU	38,000 BTU
Input Min:	25,500 BTU	29,000 BTU	25,500 BTU	29,000 BTU

## STANDARD FEATURES

- Hi/low Millivolt or manual valve with variable adjustment of flame and BTU
- An ODS sensor that constantly monitors the room air and provides 100% gas shut off if oxygen is reduced below acceptable levels
- Black Canopy Hood
- Matchless Piezo Ignition
- Pull Screen
- Decorative Ash Bed
- Wall Switch Control (for Millivolt Systems Only)

## OPTIONAL FEATURES

### Fan Kit

Blower with variable speed control

### Surrounds

- ZCV39S1BL – Hearth Mount 4" Wide  
**Coverage:** 40 5/8" W x 35" H
- ZCV39S1PFBL – Picture Frame 4" Wide  
**Coverage:** 40 5/8" W x 37" H
- ZCV39S2PFBL – Surround - Picture Frame 1 5/8" Wide  
**Coverage:** 36 1/8" W x 32 1/2" H
- ZCV42S1BL – Hearth Mount 4" Wide  
**Coverage:** 44 5/8" W x 38 1/8" H
- ZCV42S1PFBL – Picture Frame 4" Wide  
**Coverage:** 44 5/8" W x 40 1/8" H
- ZCV42S2PFBL – Surround - Picture Frame 1 5/8" Wide  
**Coverage:** 40 1/8" W x 35 5/8" H
- ZCV47S1BL – Hearth Mount 4" Wide  
**Coverage:** 50 9/16" W x 43 3/16" H



### Thermostat (Millivolt)

Wall Mount Millivolt Thermostat or Programmable Thermostat

### Remote Control (Millivolt)

On/Off, Thermostat On/Off, Thermostat On/Off modulating, Thermostat On/Off modulating and fan control



### Brick Liners

#### ZVFCV39/42 Brick Options

Refractory Fiber Brick Liner (3 PCE)

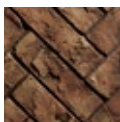
- Traditional, Herringbone, Red Herringbone, Stacked Brick

#### ZVFCV47 Brick Options

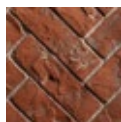
Traditional and Herringbone



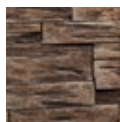
Traditional  
Brick Liner RLT



Herringbone  
Brick Liner RLH



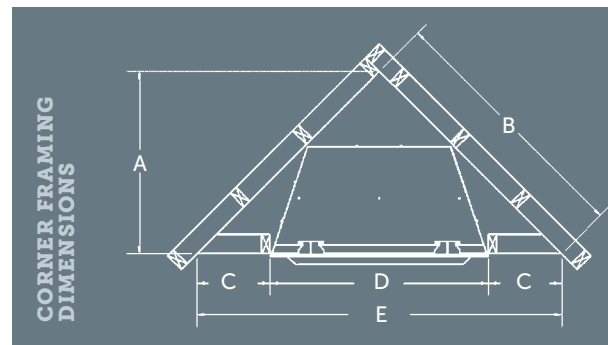
Red Herringbone  
Brick Liner RRH



Stacked Brick  
Liner RLS

## CORNER FRAMING DIMENSIONS (IN.)

	ZVFCV39	ZVFCV42	ZVFCV47
A	33"	34 3/4"	39 1/2"
B	46 5/8"	49 1/8"	55 15/16"
C	13 1/4"	13 1/2"	15 1/4"
D	39 1/2"	42 1/2"	48 1/2"
E	65 15/16"	69 7/16"	78 15/16"



## UNIT AND FRAMING SPECIFICATIONS (IN.)

Models	Height Actual	Height Framing	Width Actual	Width Framing	Depth Actual	Depth Framing
ZVFCV39	37 1/4"	37 5/16"	39 3/8"	39 1/2"	20 3/16"	20 5/16"
ZVFCV42	40 5/16"	40 3/8"	42 7/16"	42 1/2"	20 3/16"	20 5/16"
ZVFCV47	45 3/8"	45 7/16"	48 3/8"	48 1/2"	22 1/2"	22 5/8"

## FIREBOX SPECIFICATIONS (IN.)

Model	Firebox Height	Firebox Width (Front)	Firebox Width (Back)	Firebox Depth
ZVFCV39	26"	29 3/4"	22 1/2"	15 1/2"
ZVFCV42	29 1/8"	33 7/8"	26 7/8"	15 1/2"
ZVFCV47	34 1/8"	39 3/4"	29 3/4"	17 1/4"



LOGF18 Log Set



LOGF30 Log Set (For ZVFCV47 only)



\*Components may have to be ordered separately to create a complete unit. Discuss with your local Kingsman dealer for clarification. For sale in the US only. Kingsman Industries maintains a program of continuous testing, refinement and improvements of all its products. Some aspect of units shown here may be changed at any time without notice or obligation. Certification: ANSI Z21.91-2007 ventless firebox enclosures for gas-fired unvented decorative room heater. USA only.