



INSTALL VIDEO: <https://www.lexingtonhearth.com/install-video-page> →

WHAT'S IN THE BOX?

- Lexington Hearth Mantel
- 3" x 2" Mounting Bracket
- Mounting hardware
 - Eight – 2.5" Pan-head, sharp point screws for Mounting Bracket
 - Three – 2.25" Self-drilling screws for Mantel
- Touch-up kit
 - Color Coordinated Putty
 - Touch-up paint
 - Brush
- Mounting Instructions

TOOLS REQUIRED FOR INSTALLATION:

- Utility knife or scissors
- Impact/screw gun with #2 Phillips head bit
- Power Drill with 1/8" metal drill bit
- Stud finder
- Tape measure
- Level
- Pencil & felt tip marker
- Safety Glasses
- Rags

INSTALLATION NOTES:

- This installation represents a wood framing installation. For other installation types, it is strongly recommended you consult a professional before installation.
- Mantels are heavy and bulky. Please have at least two people available to move and install this product.
- If you are unable to find studs, you need to open the wall and add wood studs or 16-gauge metal studs if in the non-combustible zone.
- A minimum of three studs are required to safely install a 60" mantel. A minimum of 4 studs are required for a 72" mantel.
- If a mantel is mounted over the metal face of a unit, self-tapping screws may be used to install the mounting bracket directly to a unit.
- If attaching mounting bracket over a masonry surface, consult your fastener supplier to recommend the proper masonry anchor for the mounting surface. The anchor must be able to support 4 times the load.
- General guidelines for non-combustible mantel installations require a minimum clearance of at least six inches above the fireplace glass trim for equipment with less than fifty thousand BTU's. A minimum clearance of at least twelve inches above the fireplace glass trim is required for equipment with an output of fifty thousand BTU's or more.
- For safety, follow heat clearance requirements for combustible materials as defined by local building codes and the manufacturer's recommendations for your fireplace or stove.

INSTALLATION INSTRUCTIONS



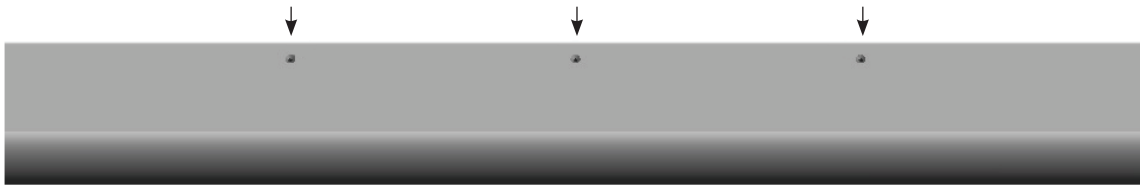
STEP 1 – UNPACK MANTEL:

- At the job site, the installation team should review the unpacking instructions on the red sheet to avoid damaging the mantel. They should also read the installation instructions fully before beginning the installation.
- Fold the box flat to have access to the mantel. Using two people, remove the mantel from the box using the plywood bottom in the box as your lifting point.
- The plywood bottom of the box will protect the mantel from chipping and scratching the mantel while you prepare the mantel for installation. Never place the mantel directly on a hard surface without protection.



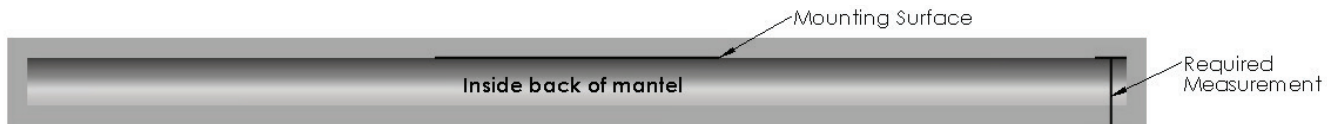
STEP TWO – INSPECT MANTEL & RECORD MEASUREMENTS:

- Position the mantel so the three holes are facing up. Make sure they are clear of any concrete material by test-fitting a green self-tapping screw through the holes. If they are obstructed, use a 1/8 drill to open the hole.



- Carefully rotate the mantel so the back side is facing up.
- Measure from the bottom of the mantel to the bracket mounting surface.

You will use this measurement in the next steps so write the measurement somewhere to refer to in other steps.



STEP THREE – LOCATING MANTEL POSITION:

Mark Position of the Bottom of the Mantel

- Decide what minimum clearance is required for your fireplace equipment and make a small pencil mark on the wall at that distance above the fireplace opening. Label this mark as “BOM” (bottom of mantel).
- If the unit is 50,000 BTUs or less – minimum clearance to the bottom of the mantel is 6” above the fireplace opening. If the unit is over 50,000 BTUs – the minimum clearance is 12” above the fireplace opening.

Mark Position of the Mounting Bracket

- From BOM mark, add the distance recorded for the first mantel measurement (see Step Two) and make a small pencil mark on the wall. Label this mark as “Bracket”.
- Place a level on the bracket mark, adjust to a level position, and use a pencil to trace a two or three-foot line parallel with the top of the level.

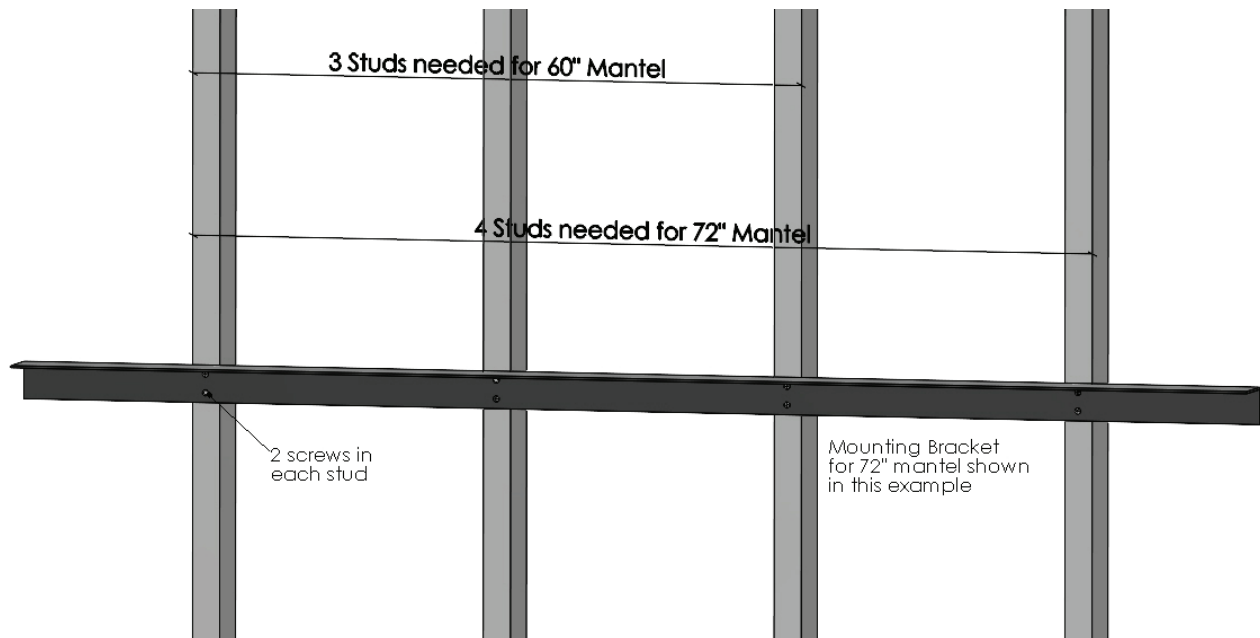


Mark Position of the Center of the Fireplace

- Locate the center of the fireplace and make a small pencil mark just above the fireplace opening. Use a level straight edge, placed vertically on the wall, to transfer the center line of the fireplace up to the bracket line. Label this mark as “Center”.

Mark Position of the Wall Studs

- Use a stud finder to locate the wall studs. Mark the stud locations by making a 1-inch vertical pencil mark below the bracket line. A minimum of 3 studs are required to mount a 60-inch mantel and 4 studs are required for the 72-inch mantels.

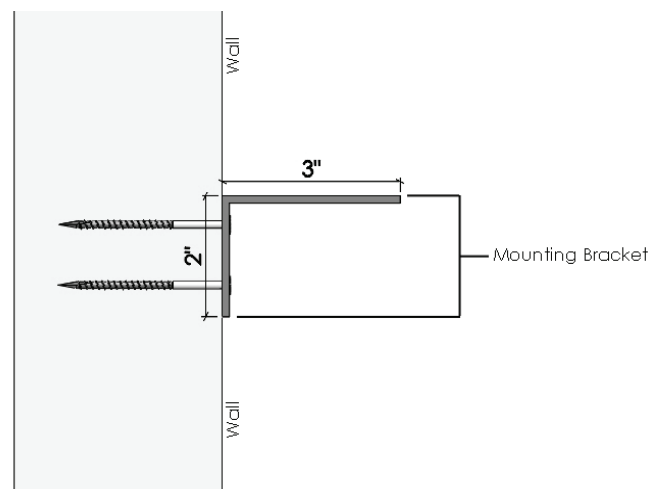


STEP 4 – MOUNTING AND SECURING THE BRACKET:

(NOTE: The top of the mounting bracket is 3” deep to support the mantel. The 2” side of the mounting bracket attaches to the wall)

Transfer Stud Locations to Mounting Bracket

- Measure the length of your mounting bracket and make a center mark on the 3” surface using a felt-tip/permanent marker.
- Center the mounting bracket on the center mark on the wall and transfer the stud locations to the 2” leg of metal bracket with a permanent marker.
- Using a 1/8” metal drill bit, drill two holes VERTICALLY for each stud location on the 2” side of the mounting bracket.



(Continued on the next page...)



Attach Mounting Bracket to the Wall

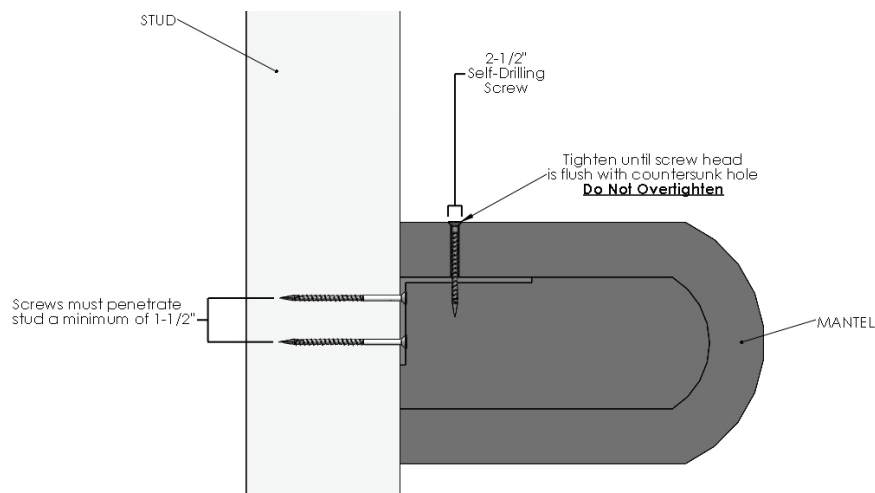
- Place the 2" side of the mounting bracket against the wall. Use one of the provided silver pan-head wood screws to temporarily hold the mounting bracket to the wall.
- Check and adjust the mounting bracket with a level before securing the bracket with the remaining pan-head wood screws. Tighten the screws until they are flush to the mounting bracket. **Do not overtighten the screws.**



STEP FIVE – MOUNTING AND SECURING THE MANTEL:

(Note: Self-drilling screws require some speed and pressure to penetrate the metal bracket, but the installer must be ready to slow the drill speed as soon as the screw threads begin to bite into the metal.)

- Use two people to place the mantel on the mounting bracket and center it over the fireplace. The center hole on top of the mantel should align with your center mark on the mantel bracket and wall.
- Check for level across the length and depth of the mantel. If needed, use non-combustible shims (not provided) to level the mantel to the floor. Position shims against the wall in alignment with the stud locations.
- Hold the mantel in place and secure the mantel to the mounting bracket with the self-drilling metal screws. Slow the drill/driver speed when the screw penetrates the bracket and continue slowly until the screw head is flush with the countersunk hole. **Do not overtighten screws past the countersink area.**



STEP SIX – TOUCHING UP THE MANTEL:

(NOTE: The touch-up kit contains paint, putty, and a paintbrush. Use these items to fill in and camouflage the screw heads on top of the mantel, or to repair nicks and scratches).

- Use the color-coordinated putty to fill the countersink area around the screws. Use small amounts and avoid spreading the putty beyond the countersink areas. This will minimize cleanup time and keep the woodgrain surface intact. Use a damp rag to remove any extra putty on the mantel surface.
- Allow the putty to firm up a little before applying paint. Use light coats of paint to build up the color to match the factory coloring. (NOTE: A small piece of cardboard from the packaging can be used as a paint pallet to adjust the amount of paint on the paintbrush).
- Use a damp cloth to blend the color and remove any excess paint.

CUSTOMER SUPPORT

If you have any questions, contact us at

859.231.6492 x127 info@lexingtonhearth.com

REV. 01.2024

