

Models:
CT-11A-B
Cap Adapter



These chimney components have been tested for use with specific Hearth & Home Technologies fireplaces, are in conjunction with the listed termination caps, which are UL listed as fireplace parts. Refer to the installation instructions supplied with the fireplace for the correct accessories to be used. Check with your local building code agency before you begin installation to ensure compliance with local codes, including the need for permits and follow-up inspections. If you encounter any problems regarding code approvals, or if you need clarification of any of the instructions contained here, contact your local Hearth & Home Technologies dealer with any questions or concerns. For the location of your nearest dealer, please visit www.hearthnhome.com.

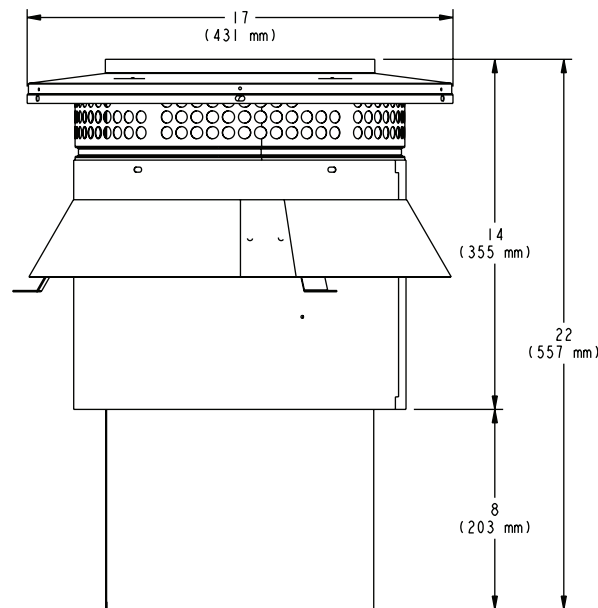
Note: An arrow (➡) found in the text signifies change in content.

Note: See Table 2 for Minimum Chase Dimensions

Table 1

Description	Qty
Adapter	1
Storm Collar	1
Fastener Package	1

Caution! Risk of Cuts and Abrasions. Wear protective gloves and safety glasses during installation.



CT-11A-B

A. Install Chase Top

- You **MUST** use a chase top in a chase installation. Chase tops may be field constructed.
- Include a turndown and drip edge to prevent water from seeping into the chase.
- Include a 2 in. (51 mm) soldered, welded or spun collar around pipe opening to keep water out.
- Provide a 1/8 in. (3 mm) gap around the flue pipe.
- Slope the chase top downward away from the opening.

WARNING! Risk of Fire! DO NOT caulk the pipe to the chase top collar.

- Caulk all seams to prevent leaks.

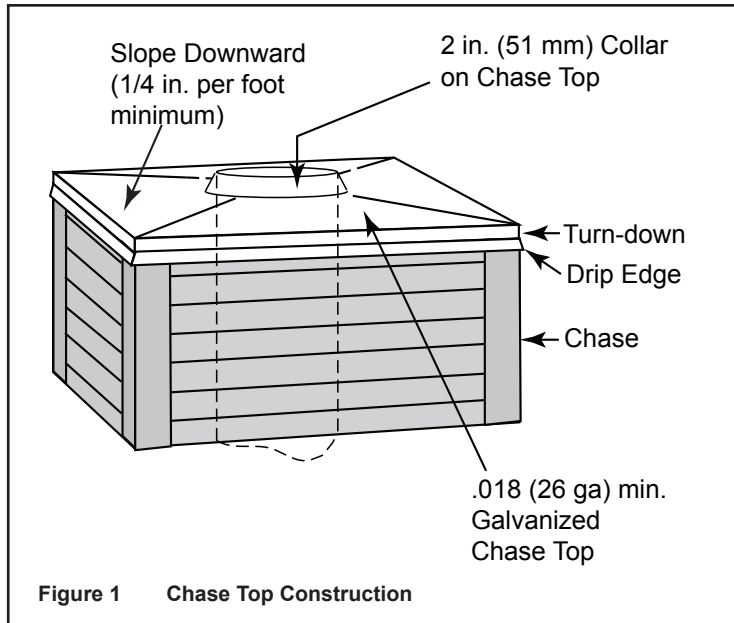


Table 2
Minimum Dimensions

Cap	In.	mm
DTO134	26 x 26	660 x 660
DTO146	28 x 28	711 x 711
DTS134	26 x 26	660 x 660
DTS146	28 x 28	711 x 711
CT-KING	28 x 28	711 x 711
CT-QUEEN	24 x 24	610 x 610
CT-PAWN	24 x 24	610 x 610
CT-BISHOP-I	30 x 30	762 x 762
CT-BISHOP-II	24 x 24	610 x 610
CT-KNIGHT-I	25 x 25	635 x 635

B. Install CT-11A Cap Adapter

- The uppermost chimney section must terminate no more than 4-3/4in. (121mm) below the top of the flashing collar on the chase top and 2 in. (51mm) above the top of the chase. See Figure 2 for additional details.
- Attach three brackets to the cap using the holes as indicated below and in Figure 3:
 - DTO and DTS Caps - Attach bracket to top set of holes.
 - Pawn and Bishop II - Attach bracket to top set of holes.
 - Knight I and Queen - Attach bracket to middle set of holes.
 - King and Bishop I - Attach bracket to lowest set of holes.
- Position the adapter above the collar of the chase top and lower the assembly until the stainless steel telescoping slip section engages a minimum of 1-1/2 in. (38 mm) into the uppermost chimney section. Push the adapter cap down until the three support brackets come into contact with the chase top.
- Attach the three support brackets to the chase top with the screws provided.
- Wrap the storm collar around the outer pipe section. Slide the storm collar down until it contacts the chase top and fasten ends of the storm collar together with a screw.
- Caulk the gaps between the outer slip section and the top of the storm collar to prevent leaks. Any seams along the storm collar must also be sealed.

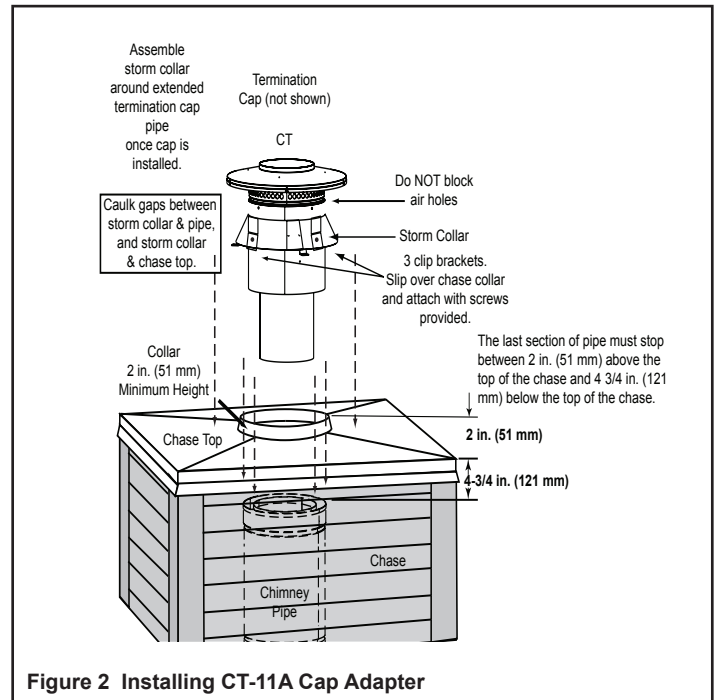


Figure 2 Installing CT-11A Cap Adapter

C. Install Cap

- See instructions included with cap.

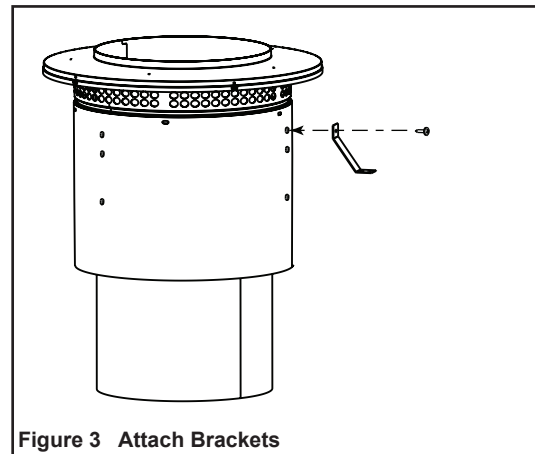


Figure 3 Attach Brackets

This page intentionally left blank.