

Models:
CT-14A
Cap Adapter



This chimney component has been tested for use with specific Hearth & Home Technologies Inc. fireplaces, in conjunction with the listed termination caps, which are UL listed as fireplace parts. Refer to the installation instructions supplied with the fireplace for the correct accessories to be used. Check with your local building code agency before you begin installation to ensure compliance with local codes, including the need for permits and follow-up inspections. If you encounter any problems regarding code approvals, or if you need clarification of any of the instructions contained here, contact your local Hearth & Home Technologies dealer with any questions or concerns. For the location of your nearest dealer, please visit www.fireside.com. The adapter should never be used as a stand alone chimney cap.

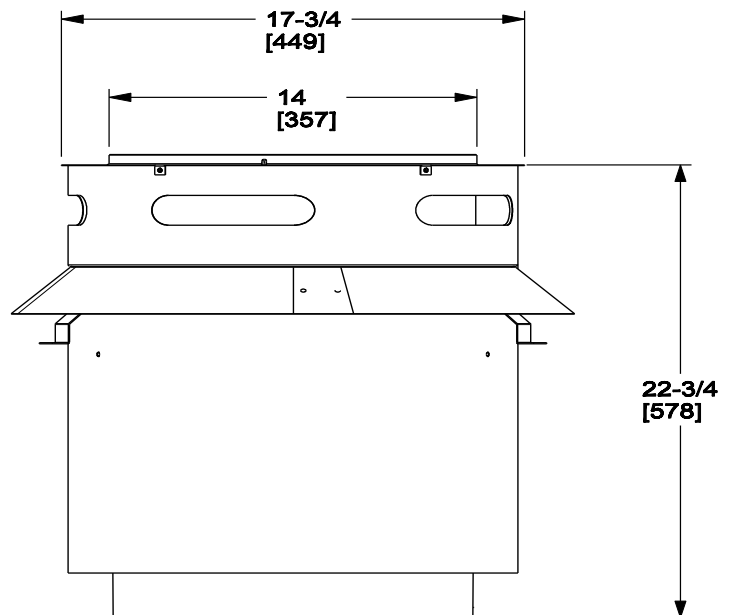
Note: An arrow (➡) found in the text signifies change in content.

Note: See Table 2 for Minimum Chase Dimensions.

Table 1

Description	Qty
Adapter	1
Fastener Package	1
Storm Collar Assy	1

CAUTION! Risk of Cuts and Abrasions. Wear protective gloves and safety glasses during installation.



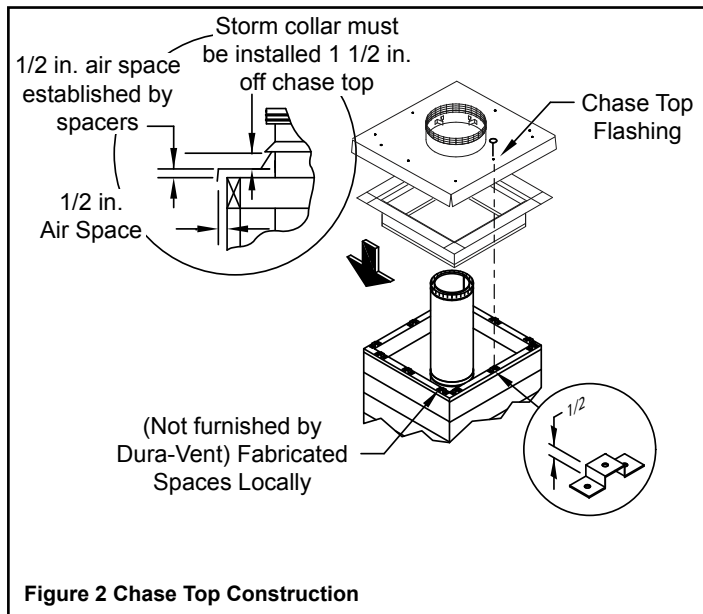
CT-14A

A. Install Chase Top

- ➔ You MUST use a chase top in a chase installation. Chase tops are available from your Hearth & Home Technologies dealer or may be field constructed, as shown in Figures 1 and 2.
- Include a turn-down and drip edge to prevent water from seeping into the chase.
- Provide a 1 1/2 in. (38 mm) gap around the flue pipe and slope the chase top downward from the penetration.
- Caulk all seams to prevent leaks.

Table 2
Minimum Dimensions

Cap	In.	mm
DTO146	28 X 28	711 x 711
DTS146	28 X 28	711 X 711
CT-KING	28 x 28	711 x 711
CT-BISHOP-I	30 x 30	762 x 762



WARNING

Fire Risk

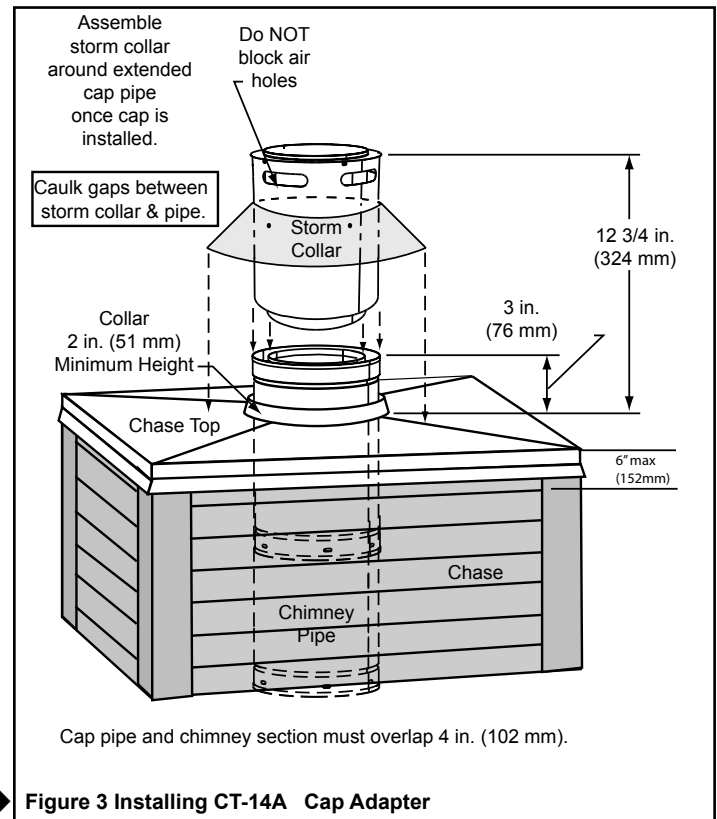
- The minimum 4" overlap of adapter to pipe MUST be met or chimney may separate from cap.

Separation allows sparks, heat and embers to escape.

B. Install CT-14A Cap Adapter

CT-14A

- The uppermost chimney section must terminate no more than 3 in (76 mm) above or 6 in. (152 mm) below the top of the chase top surface.
- Attach the three brackets to the top set of holes in the adapter outer with the screws provided.
- Position the adapter above the collar of the chase top and lower the adapter down until the three support brackets come into contact with the chase top.
- Attach the three support brackets to the chase top with the screws provided.
- ➔ Wrap the storm collar around the adapter outer with the top of the collar above the top of the brackets and secure in place. The storm collar should cover the opening in the chase top.
- Caulk the gaps between the adapter outer and the top of the storm collar to prevent leaks. Any seams along the storm collar must also be sealed.



C. Install Cap

- See instructions included with cap.