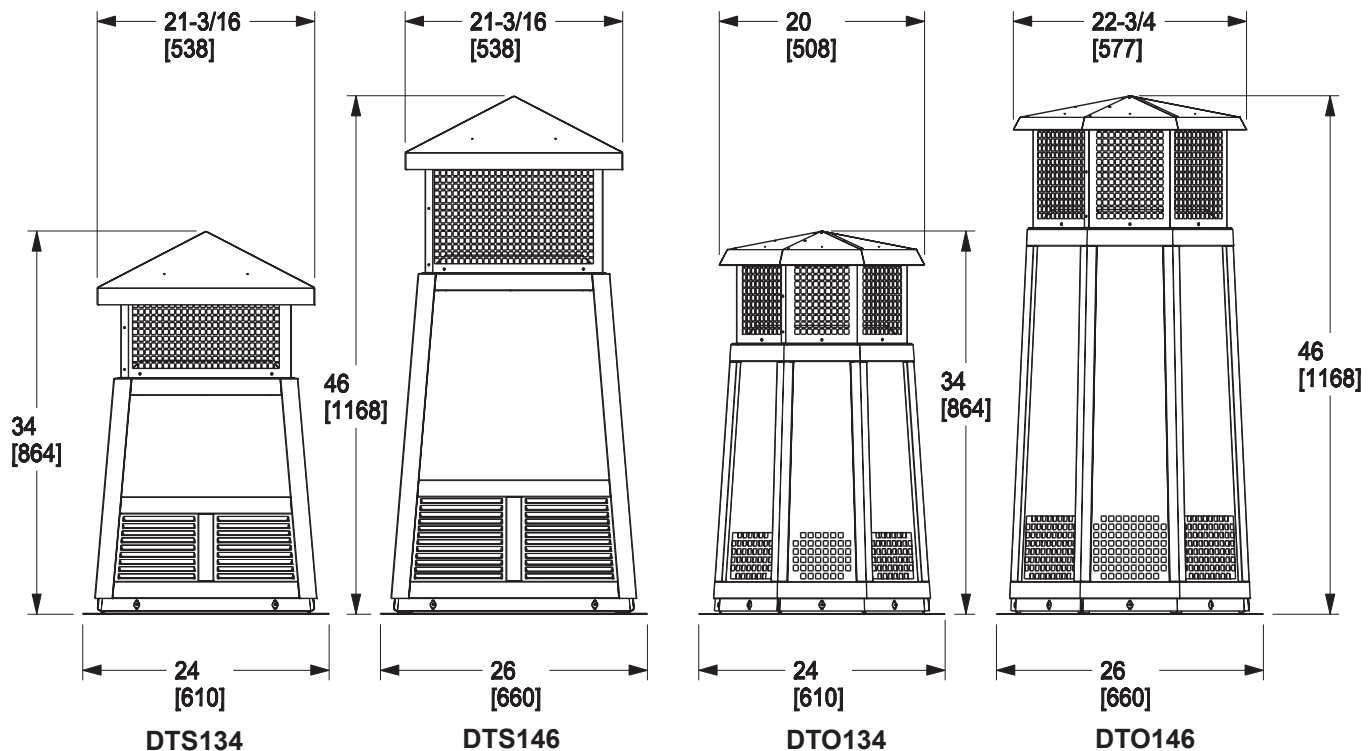


Decorative Caps

Models: DTO134 Short Octagon Decorative Termination Cap
 DTO146 Tall Octagon Decorative Termination Cap

DTS134 Short Square Decorative Termination Cap
 DTS146 Tall Square Decorative Termination Cap



These decorative termination caps (DT caps) have been tested and listed for use with specific Hearth & Home Technologies (HHT) woodburning appliances, HHT Direct Vent gas appliances, and NFPA 211 compliant masonry fireplaces. The caps must be installed on a chase installation. Refer to the fireplace installation instructions for the correct accessories to be used. Check with your local building code agency before you begin installation to ensure compliance with local codes, including the need for permits and follow-up inspections. If you encounter any problems regarding code approvals, or if you need clarification of any of the instructions contained here, contact your local Hearth & Home dealer with any questions or concerns. For the location of your nearest dealer, please visit www.hearthnhome.com.

WARNING! Risk of Fire! These decorative termination caps are intended for use with a metal (or masonry) chase top.

Use of combustible materials will cause a fire hazard.

CAUTION! Risk of Cuts and Abrasions. Wear protective gloves and safety glasses during installation.

Note: An arrow (▶) found in the text signifies change in content.

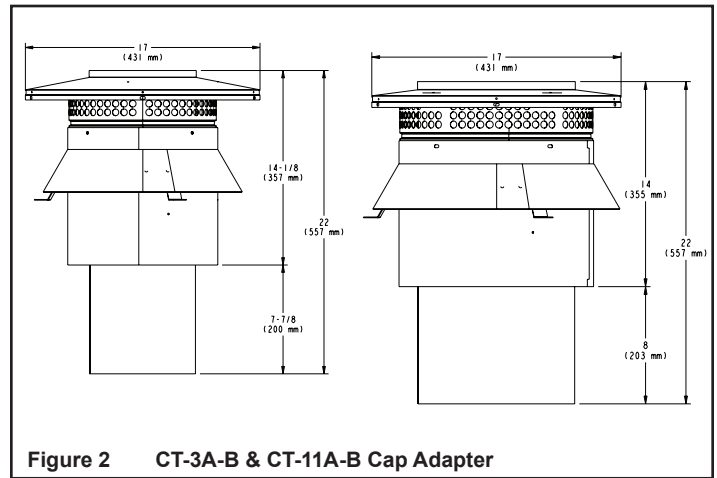
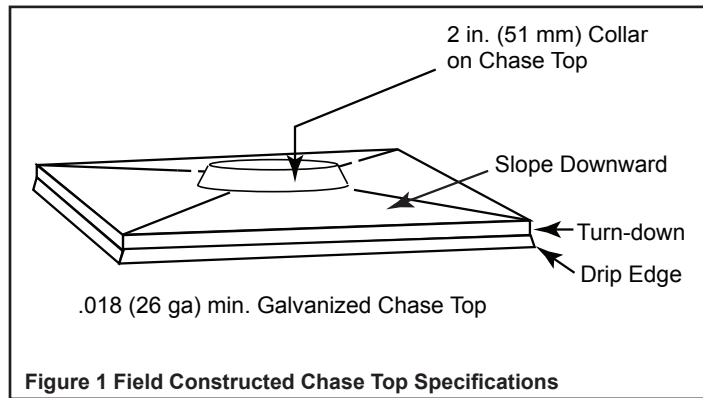
A. For Use With HHT Woodburning Fireplaces

These DT caps have been tested and are listed in file MH5850 as a fireplace part to be used in conjunction with the listed CT adapters.

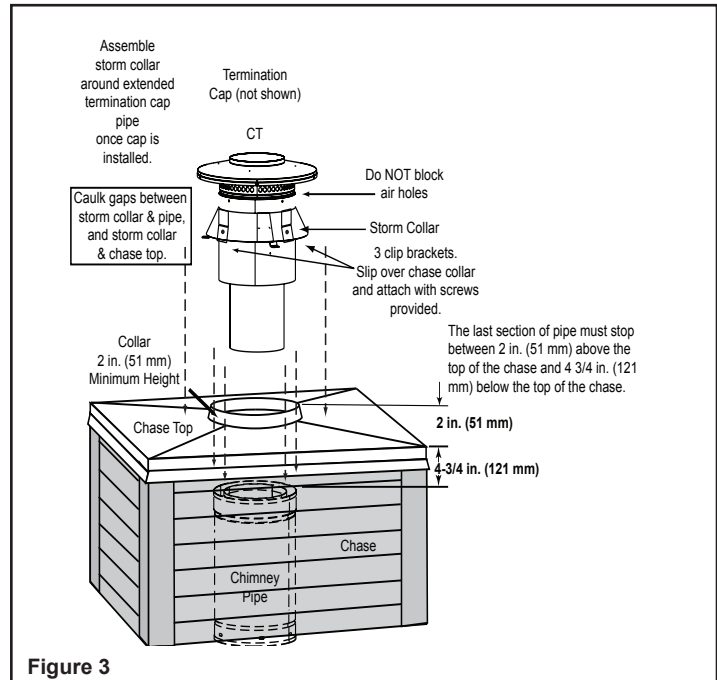
Note: Adapters are required when DT caps are used with an HHT woodburning fireplace.

1. Chase Top

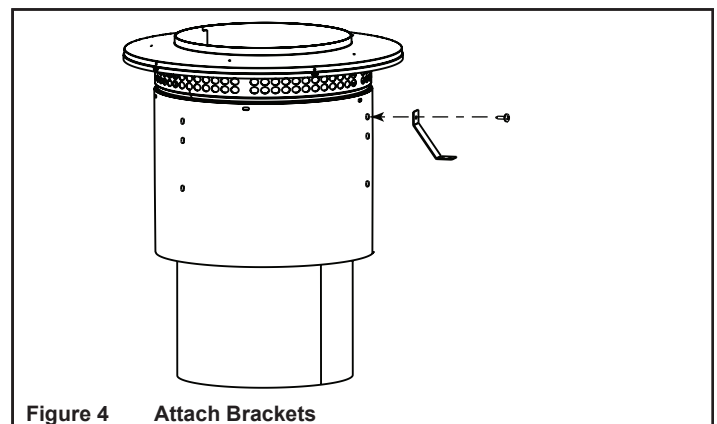
- You MUST use a chase top in a chase installation. Chase tops may be field constructed.
- Size and construction of the chase may vary with the type and design of the building and fireplace(s) being installed. The size of the chase must accommodate the cap(s) to be used and maintain the necessary clearances to combustibles from the chimney.
- Figure 1 is an example of a field constructed chase top. The dimensions must be adjusted for the chimney system being used and if there are multiple chimneys in one chase.
- Slope the chase top downward from the center to direct water.
- The metal chase top must have structural support under it to support the cap and provide a place for fastening the cap.
- Include a turn-down and drip edge to prevent water from seeping into the chase.
- Caulk all seams to prevent leaks.



- The uppermost chimney section must terminate no more than 4-3/4 in. (121 mm) below the top of the flashing collar on the chase top. See Figure 3.



- Attach the three brackets to the top set of holes in the adapter outer with the screws provided. See Figure 4 for additional details.



► 2. CT-3A-B & CT-11A-B Adapters

Note: The CT-3A-B and CT-11A-B adapters should never be used as a stand alone chimney cap. They are intended for use with the DTO/DTS decorative termination caps.

- Position the adapter above the collar of the chase top and lower the assembly until the stainless steel telescoping slip section engages into the upper most chimney section. Push the cap adapter down until the three support brackets come into contact with the chase top.
- Attach the three support brackets to the chase top with the screws provided.
- Wrap the storm collar around the adapter outer just at the top of the brackets and slide down until it contacts the brackets and secure in place. The storm collar should cover the opening in the chase top.
- Caulk the gaps between the adapter outer and the top of the storm collar to prevent leaks. Any seams along the storm collar must also be sealed.

3. CT-14A

- The uppermost chimney section must terminate no more than 3 in. (76 mm) above or 6 in. (152 mm) below the top of the chase top surface.
- Attach the three brackets to the top set of holes in the adapter outer with the screws provided (see Figure 4).
- Position the adapter above the collar of the chase top and lower the adapter down until the three support brackets come into contact with the chase top.
- Attach the three support brackets to the chase top with the screws provided.
- Wrap the storm collar around the adapter outer with the top of the collar in the bead just at the top of the brackets and secure in place. The storm collar should cover the opening in the chase top and be 1-1/2 in. above the chase top.
- Caulk the gaps between the adapter outer and the top of the storm collar to prevent leaks. Any seams along the storm collar must also be sealed.

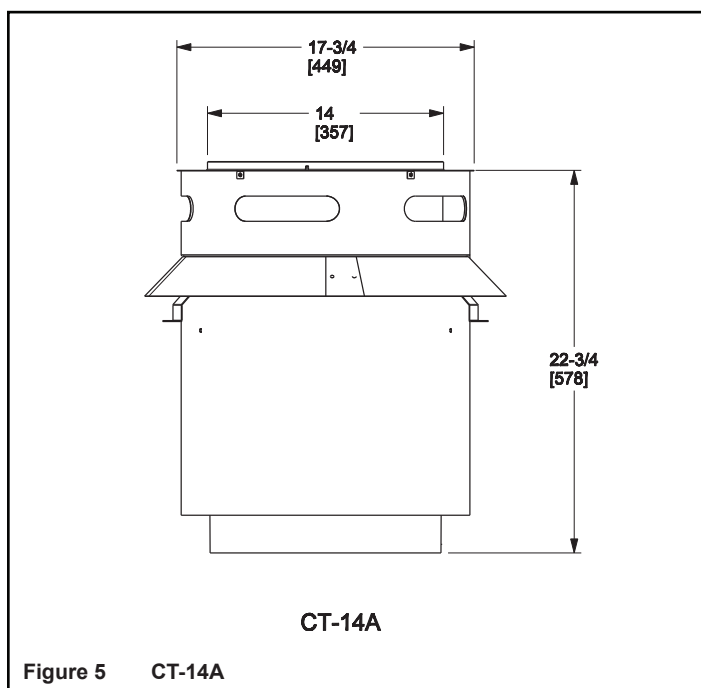


Figure 5 CT-14A

4. Installing the Termination Cap

- Remove the cap top from the cap assembly.
- Position the flashing gasket spacers on the bottom of the base assembly at each mounting hole.
- Position the cap assembly over the cap adapter and center.
- Drill pilot hole at each hole location to accommodate the mounting screws provided.
- Secure the cap to the chase top with the screws provided.
- Caulk the screw heads to prevent moisture penetration.
- Do not seal the gap around the base assembly as this allows water drainage.
- Check the cap for plumb and level.
- Loosen the screws around the bottom of the cap and adjust the cap as necessary.
- Tighten the screws.
- Attach the cap top to the cap assembly.

B. For Use with HHT Direct Vent Gas Appliances

These DT caps have been tested for use as a decorative cap cover with Hearth & Home Technologies (HHT) direct vent gas appliances, venting and vertical termination caps, and are listed in file MH26457.

Note: An approved direct vent termination cap is required when DT caps are used with an HHT direct vent gas appliance.

The chase top must have structural support under it to provide anchor points for the DT cap and support the weight.

The direct vent termination cap must be installed a minimum of 6 in. (152 mm) above the chase top.

- Remove the cap top from the cap assembly.
- Position the flashing gasket spacers on the bottom of the base assembly at each mounting hole.
- Position the cap assembly over the direct vent termination cap and center.
- Drill pilot hole at each hole location to accommodate the mounting screws provided.
- Secure the cap to the chase top with the screws provided.
- Caulk the screw heads to prevent moisture penetration. Do not seal the gap around the base assembly as this allows water drainage.
- Check the cap for plumb and level.
- Loosen the screws around the bottom of the cap and adjust the cap as necessary.
- Tighten the screws.
- Attach the cap top to the cap assembly.

C. For Use with Masonry Fireplaces

These DT chimney termination caps have been tested for use with masonry wood burning fireplaces and are listed in file MH13896.

The caps must be installed on a chase installation and the mounting surface must be in good condition. Prior to installation of the termination cap, the chimney should be thoroughly cleaned and in good repair. Any cracked, loose or missing bricks must be repaired.

Contact local building or fire officials about restrictions and installation inspection in your area.

Note: Adapters are not required when DT caps are installed on a masonry chimney.

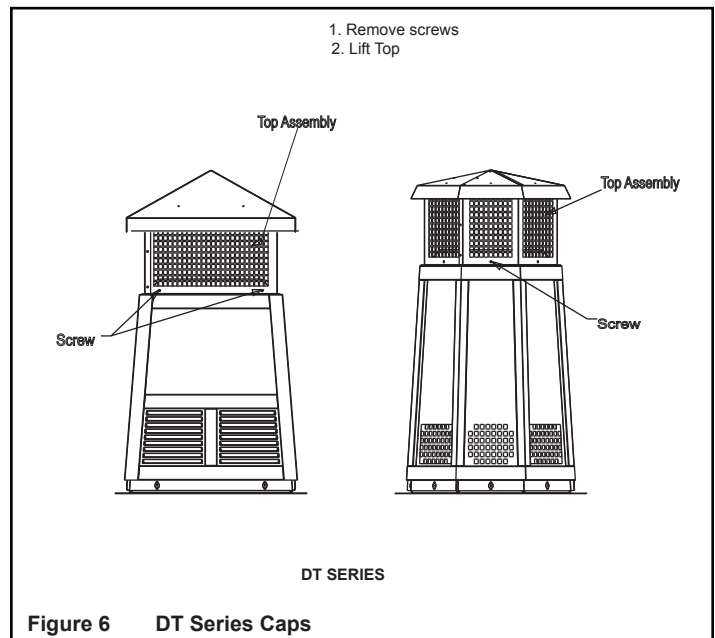
CAUTION! This decorative termination cap is for use on a masonry chimney with a single clay flue liner only.

- **DO NOT** Install on factory-built fireplaces or factory-built chimneys.
 - **DO NOT** install on chimneys with more than one flue liner.
- Position the cap over the chimney and center.
 - Mark mounting hole locations.
 - Remove cap and drill holes using 3/16 in. masonry bit.
 - Position cap over the holes and install mounting screws*.
- * Recommended fastener for attaching to masonry is 1/4" diameter 1-3/4" long Tapcon® Concrete Screws. Screw approval and listing includes Miami Dade # 07-0315.03 Florida Building Code FL 7556.

D. To Clean the chimney

If you detect a build up of creosote, contact a qualified chimney sweep or clean it yourself. To do this, perform the following steps:

- Open the damper.
- Hang a damp sheet across the fireplace opening(s) to stop dirt and soot from entering the room. Remove the eight screws from the top assembly (shown in Figure 6). Remove the top assembly.
- Clean with a stiff nylon brush attached to a pole OR tie a small burlap bag filled with straw and several small stones or sand. Work up and down the flue until the flue is clean.
- Replace the top assembly and screws.



Recommended Flue Sizes, Inches

	A	B	T	Approx. Area Sq. In.
Minimum	7 1/2	7 1/2	3/4	45
Maximum				
DT0134	13	18	3/4	211
DTS134	13	18	3/4	211
Maximum				
DT0146	18	18	1	289
DTS146	18	18	1	289

Multiple Cap Installations
ALL DIMENSIONS SHOWN ARE MINIMUM

