

METAL TEMPLATE for PIONEER-II-C, C40-C, NORTHSTAR-C, WARMMAJIC-II FIREPLACE

Part: HHT-TEMPLATE-C

Included in Kit: Metal Template, (measures 1/8 inch larger all the way around than the actual fascia), (6) screws part number 4021-816 and the install.

Tools Required: 5/32" Allen Wrench

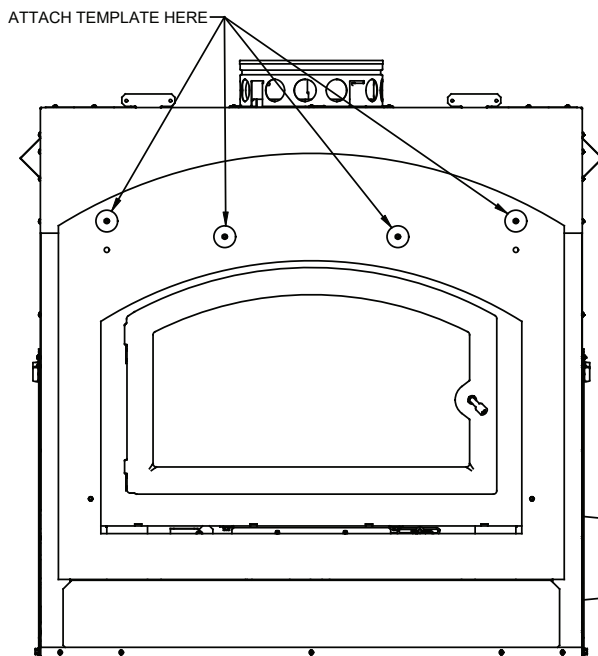
1. Remove the door on the fireplace (if installed).
2. Remove (5 or 6) screws from the fascia and remove fascia from the fireplace (if installed). Save the screws. Store the fascia in a safe, protected area to prevent scratching or any damage.

NOTE: The non-combustible board should be installed at this time.

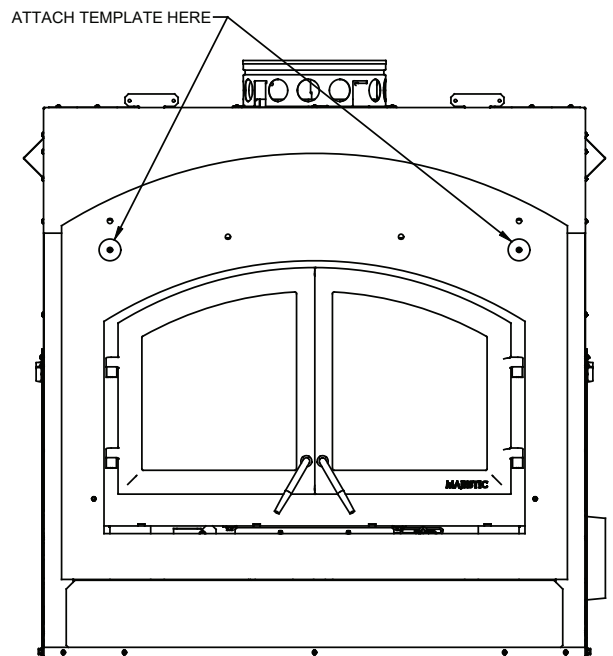
3. Install the metal template on the front of the fireplace with screws removed or provided.

NOTE: Do not over tighten the screws, just tighten up the template enough so that it comes in contact with the outer flanges on the front of the fireplace.

Now you are ready to continue your installation with the desired decorative material. The template also serves as a protective covering and prevents damage to the front on the fireplace. When installation of decorative material is complete, remove the template and replace with the fascia and fireplace doors.



PIONEER-II-C



C40-C
NORTHSTAR-C
WARMMAJIC-II