

## OA-RD-6 Outside Air Elbow Kit

1. If the outside air collar is on the appliance remove it.
2. Attach the collar to the elbow kit.
3. Attached the elbow kit to the appliance with the screws provided in the correct orientation needed. See Figure 1.

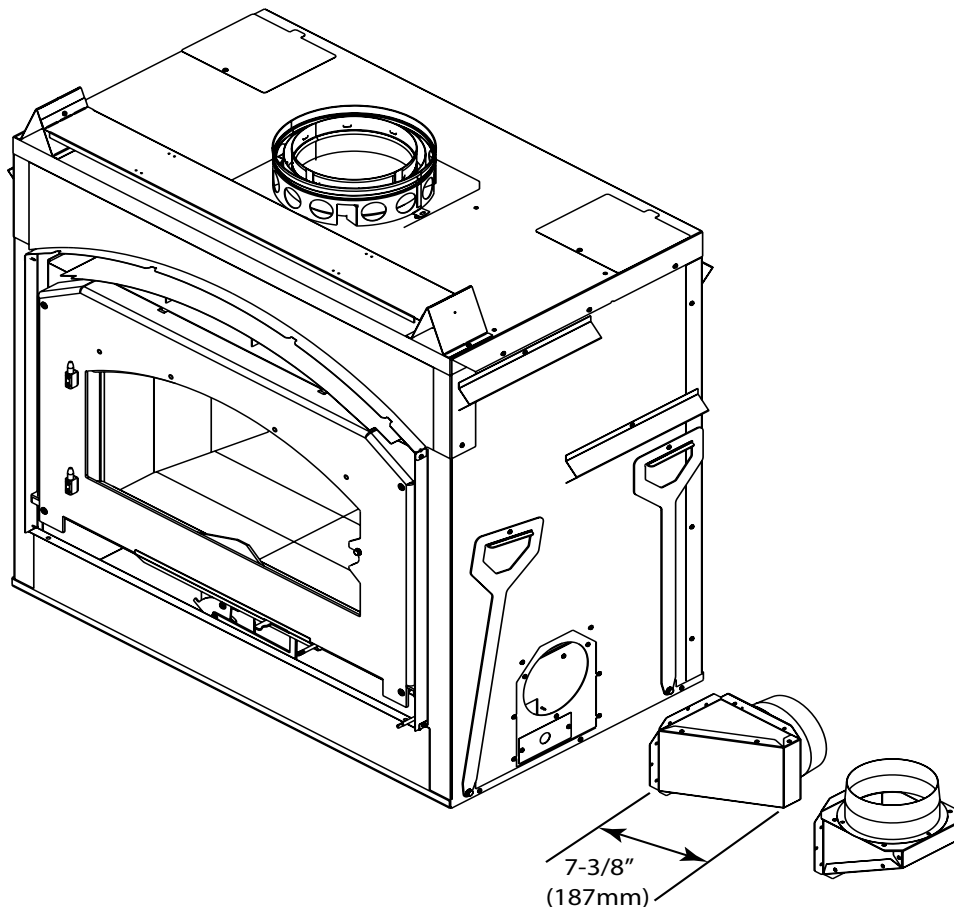


Figure 1

Hearth & Home Technologies  
7571 215th Street West  
Lakeville, MN 55044  
Phone: 952-985-6000  
[www.fireplaces.com](http://www.fireplaces.com)