

CONTEMPORARY CHIMNEY TOPS

Installation Instructions

Models: RLTCF11, RLTCF11L, RLTS8 and RLTS8L

for use with type
CF11 (2 wall)
or "S8" (3 wall)
Chimney Systems



Model RLTCF11, RLTCF11L is designed for use only with Majestic model CF11 11-inch, two (2) wall chimney components.

Model RLTS8, RLTS8L is designed for use only with type "S8" triple wall pipe.

1. Install fireplace per its accompanying installation instructions, including everything but the top housing.
2. Frame the 17½" x 17½" roof opening using 2x4's or 2x6's. These dimensions are measured horizontally and do not vary with the roof pitch. (Fig. 1)
3. Lay flashing on the roof. Place an outer pipe section on the cone of the flashing. Be sure the pipe is straight by laying a level across the top. Mark a line on the flashing (Majestic 8-6-12 or 8-12-12) around the bottom of the pipe section. (Fig. 2)
Use tinsnips to cut along the line on the flashing cone. Trim it if necessary so that the cone slips over the outer pipe. Lay flashing aside. (Fig. 2)
4. Continue adding intermediate pipe sections through the roof opening until the chimney top terminates a minimum of 24" above the roof ridge, or to a height using the "Ten Foot Rule."

The Ten Foot Rule

If chimney is within 10' of roof peak, the top should extend a minimum of 24" above the roof peak, but never less than 3 feet in height above the highest point where it passes through the roof.

When further than 10' from roof peak, the top of the chimney should be positioned so that it is 10' or more from the closest point on the roof in a horizontal direction, and a minimum of 24" above the point, but never less than 3 feet in height above the highest point where it passes through the roof.

These minimum dimensions are recommended in the interest of safety; they do not assure a smoke-free operation. (Fig. 3)

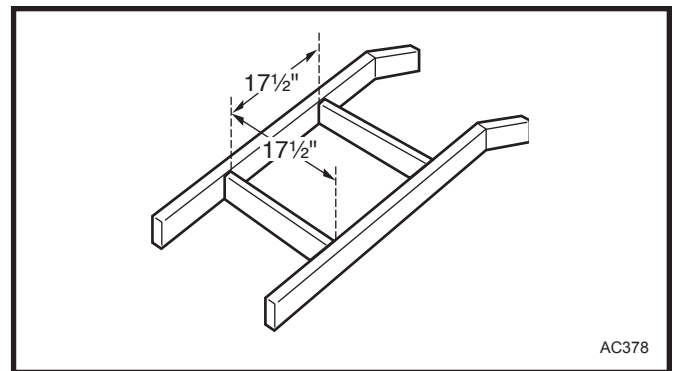


Fig. 1 Framing the chimney hole.

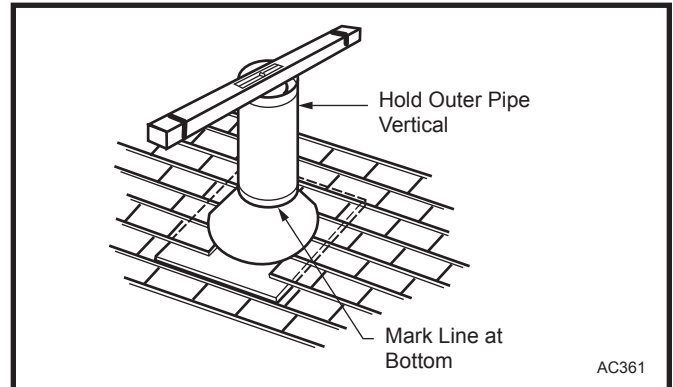


Fig. 2 Mark trim line on cone at bottom of pipe section (flat roofs only).

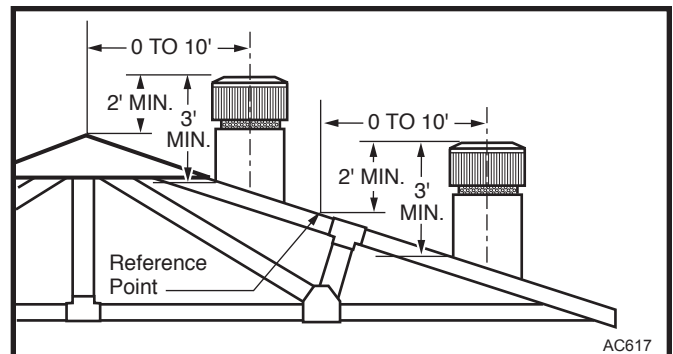


Fig. 3 The Ten Foot Rule.

5. Slide flashing down over intermediate section, then center flashing over the hole in the roof opening so there is 2" minimum air space between the outer pipe and combustible material. Nail the top edge of the flashing.
Place the drawband around outer pipe at the top of the flashing. Insert the drawband tab through the outer slot and tighten until the drawband is snug against the outer pipe and flashing. Bend the tab back over the slot to secure drawband.
Apply caulking around the top of the drawband to seal it to outer pipe. (Fig. 4)

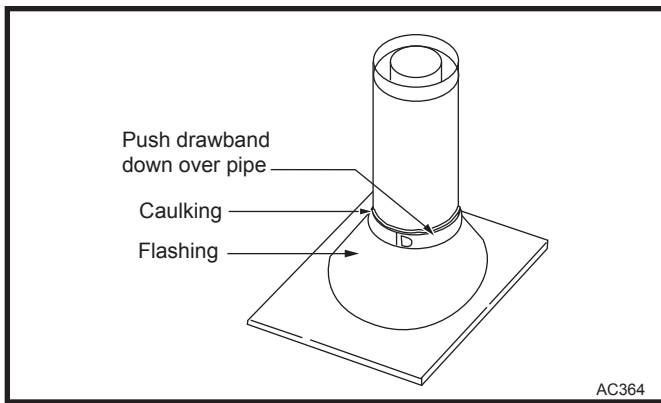


Fig. 4 Attaching the drawband.

NOTE: The drawband should be positioned to follow the angle of the top of the flashing.

IMPORTANT: Steps 6, 7 and 8 must be completed as shown to ensure proper connection to chimney system.

6. Remove the RLCF11 or RLTS8 from the carton and check for shipping damages.
7. Position the round top as indicated in Figure 5. From the back side, insert the flue telescoping pipe into the corresponding flue pipe section.

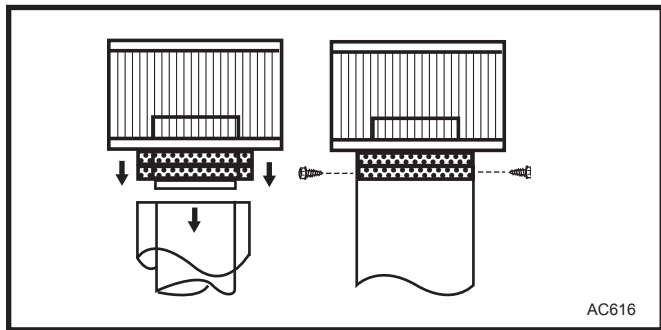


Fig. 5 Position round top for attachment.

8. Tilt complete round top toward you, sliding the telescoping flue pipe into position. The screw supports will stop at the edge of the outer pipe and terminate into position.

CAUTION: TERMINATION MUST STOP AT SUPPORT SCREWS AND NOT BOTTOM OUT AT THE TERMINATION OR A FIRE HAZARD MAY OCCUR.

9. Using the prepunched holes in the chimney top as guides, drill $\frac{1}{8}$ " holes in outer pipe. Secure round top housing to outer pipe with screws provided. (Fig. 5)
10. Lay shingles or roofing under and over the flashing in the conventional manner, nailing flashing securely.
11. For added protection, the unit may be painted. A high temperature enamel is suggested. Be sure to clean surface with solvent to remove oil and dirt before painting.

The RLCF11 or RLTS8 may be used on a chimney enclosure installation if the intermediate section extends through the flashing collar by at least 4".

12. Any chimney enclosure must also meet the minimum air space requirements of the chimney intermediate sections as noted on the label. The chimney enclosure sides and top may be made of combustible materials as long as the required clearances are maintained. The top of the enclosure must be covered with a noncombustible material. Also, read "The Ten Foot Rule" on page 1 of this installation sheet. (Fig. 3)

Multiple Installation

When two or more chimney tops are in one enclosure, the minimum centers are 21". A maximum of six chimney tops may be installed on a single chimney enclosure. (Fig. 6)

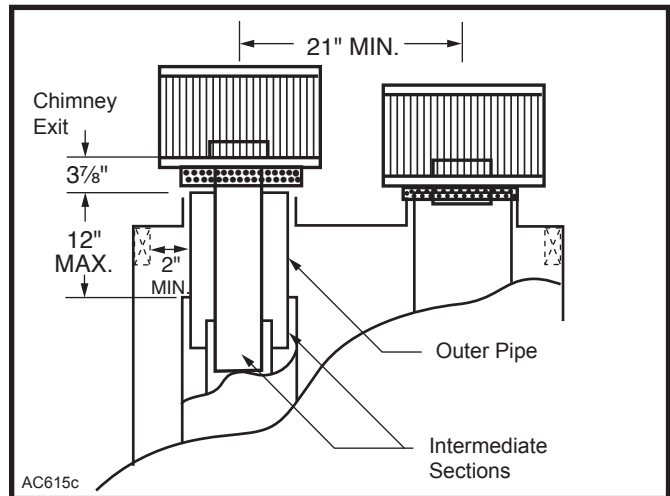


Fig. 6 Multiple chimney tops must have centers at a minimum of 21 inches.

At the top of the chimney enclosure, center the flashing over the chimney intermediate sections. (Flashing collar diameter is $13\frac{1}{2}$ ". Collar height above enclosure top must be minimum of 2 inches and the material must be a minimum of .018" thick G90 galvanized steel per ASTM 525)

The specific flashing collar height will be governed by local building code requirements concerning snow, debris, etc.

If the chimney terminates at or above the flashing collar, the RLCF11 or RLTS8 is all that is necessary. If the chimney terminates below the flashing collar no more than 12 inches, then the RLTCF11L FOR CF11 (2 wall pipe) or RLTS8L (triple-wall pipe) must be used to make the final connection. (Fig. 7)

NOTE: The intermediate section must terminate not more than 12" from the top of flashing collar.

For added protection, the chimney top may be painted. A high temperature enamel is suggested.

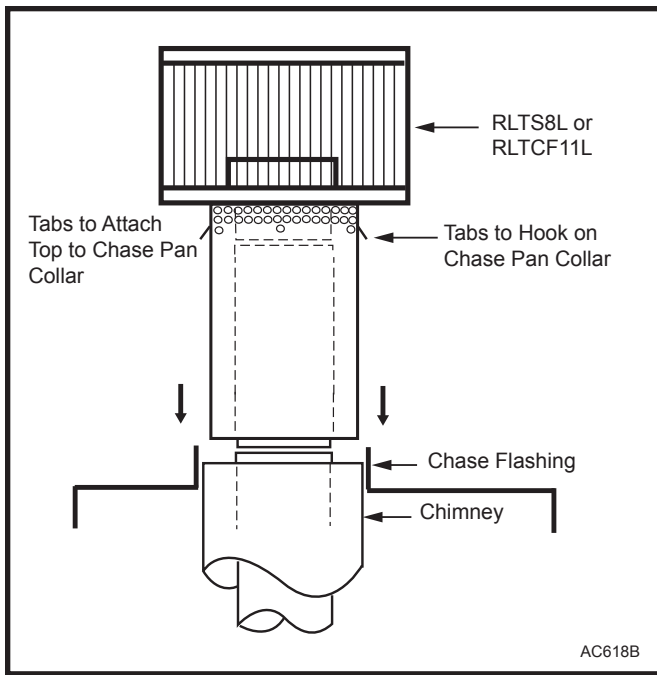


Fig. 7 Chimney top parts identification.

Maintenance

Before use in the fall, inspect your chimney termination for corrosion or accumulation of debris, leaves, animals nests, etc. Touch up any areas exhibiting corrosion with a good quality rust preventative paint. Remove any debris from the chimney termination or immediate vicinity.

Replacement Parts and Technical Service

Replacement parts and service may be obtained from your distributor. If you need additional information contact:

Vermont Castings Group
 149 Cleveland Drive
 Paris, KY 40361

**OPTIONAL
Knock Down Shroud Models
SKDSBL & PKDSBL**

Installation Instructions

The SKDSBL Square Shroud and the PKDSBL Pyramid Shroud are both listed by Underwriters' Laboratories for use with the following chimney systems: SK8, 11CF, or "S" Series 3-wall.

The RLTSKL8 round termination must be used with SK8 pipe.

The RLTCFL11 round termination must be used with 11CF pipe.

The RLTS8 termination must be used with "S" Series pipe.

Both shrouds are designed to screw together and mount with the screw provided onto a minimum 24" x 24" chase top. For more information, refer to the installation instructions for the termination top.

Assemble shroud using the provided screws as shown. Center and evenly space the shroud overtop of the chimney cap and secure the chase cover.

For added protection, the shrouds may be painted to match chimney tops. A high temperature enamel is suggested.

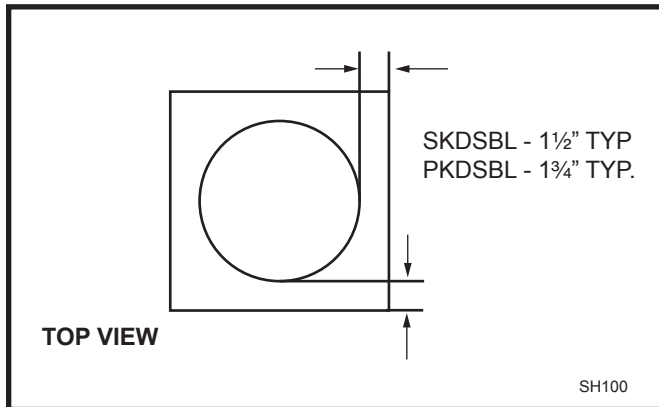


Fig. 8 Center and evenly space shroud.

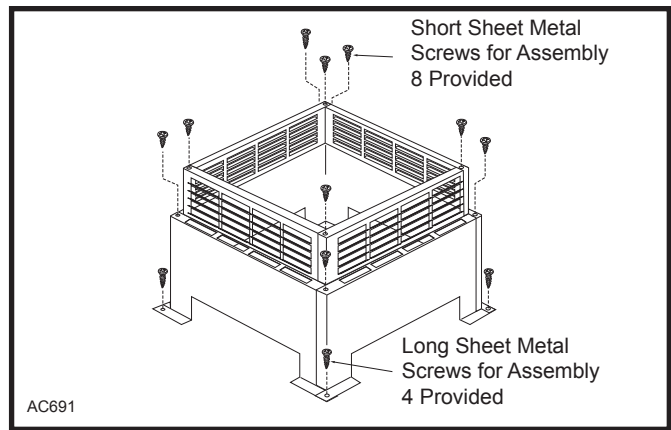


Fig. 9 SKDSBL Square Shroud.

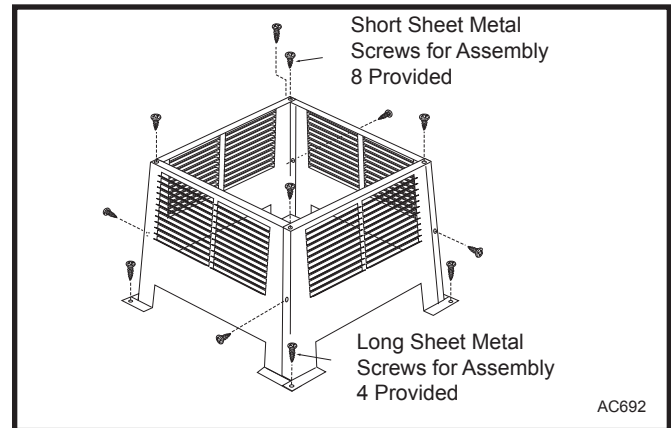


Fig. 10 PKDSBL Pyramid Shroud.

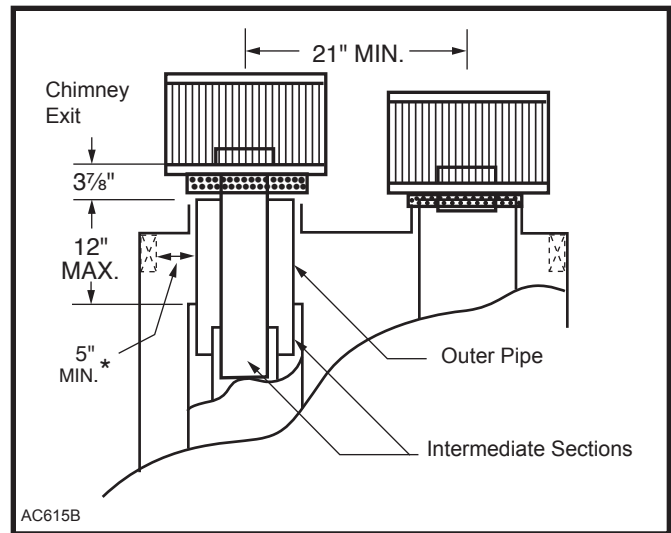


Fig. 11 A minimum 5" air space must be maintained.

NOTE: A 5" air space must be maintained when using optional shrouds. (Fig. 11)