

# Installation Manual

## Installation and Appliance Setup

**CAUTION! Risk of Fire!** DO NOT store instruction manuals inside fireplace cavity. High temperatures could cause a fire.

**INSTALLER:** Leave this manual with the appliance, not inside the appliance.

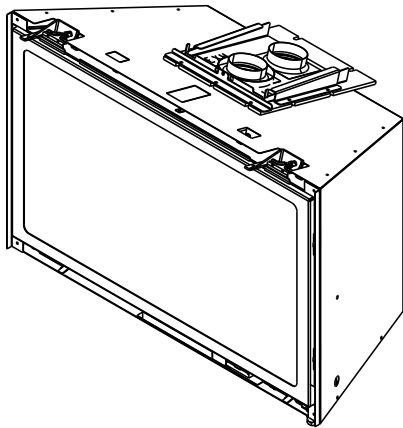
**CONSUMER:** Retain this manual for future reference. Do not store inside the appliance

**NOTICE: DO NOT** discard this manual!



**Models:**

TRILLIANT25IN  
TRILLIANT30IN  
TRILLIANT35IN



This appliance may be installed as an OEM installation in manufactured home (USA only) or mobile home and must be installed in accordance with the manufacturer's instructions and the *Manufactured Home Construction and Safety Standard, Title 24 CFR, Part 3280* in the United States, or the *Standard for Installation in Mobile Homes, CAN/CSA Z240 MH Series*, in Canada.

This appliance is only for use with the type(s) of gas indicated on the rating plate. This appliance is not convertible for use with other gases, unless a certified kit is used.

**▲ WARNING:**  
**FIRE OR EXPLOSION HAZARD**  
Failure to follow safety warnings exactly could result in serious injury, death, or property damage.

- **DO NOT** store or use gasoline or other flammable vapors and liquids in the vicinity of this or any other appliance.
- **What to do if you smell gas**
  - **DO NOT** try to light any appliance.
  - **DO NOT** touch any electrical switch. **DO NOT** use any phone in your building.
  - Leave the building immediately.
  - Immediately call your gas supplier from a neighbor's phone. Follow the gas supplier's instructions.
  - If you cannot reach your gas supplier, call the fire department.
- Installation and service must be performed by a qualified installer, service agency, or the gas supplier.

**! DANGER**



**HOT GLASS WILL  
CAUSE BURNS.**

**DO NOT TOUCH GLASS  
UNTIL COOLED.**

**NEVER ALLOW CHILDREN  
TO TOUCH GLASS.**

A barrier designed to reduce the risk of burns from the hot viewing glass is provided with this appliance and must be installed for the protection of children and other at-risk individuals.

## ▲ Safety Alert Key:

- **DANGER!** Indicates a hazardous situation which, if not avoided will result in death or serious injury.
- **WARNING!** Indicates a hazardous situation which, if not avoided could result in death or serious injury.
- **CAUTION!** Indicates a hazardous situation which, if not avoided, could result in minor or moderate injury.
- **NOTICE:** Used to address practices not related to personal injury.

**Note:** The term “recommend” or “recommended” does not indicate a requirement. It is a best practice suggested by Hearth & Home Technologies®.

## Table of Contents

Installation Standard Work Checklist . . . . .	3
--	---

### 1 Product Specific and Important Safety Information

A. Appliance Certification . . . . .	4
B. Glass Specifications . . . . .	4
C. BTU Specifications . . . . .	4
D. High Altitude Installations . . . . .	4
E. Non-Combustible Materials Specification . . . . .	4
F. Combustible Materials Specification . . . . .	4
G. Electrical Codes . . . . .	4
H. California . . . . .	4

### 2 Getting Started

A. Design and Installation Considerations . . . . .	5
B. Good Faith Wall Surface . . . . .	7
C. Tools and Supplies Needed . . . . .	7
D. Inspect Appliance and Components . . . . .	7

### 3 Appliance / Fireplace Requirements and Clearances

A. Appliance/Decorative Barrier Front Dimension Diagrams . . . . .	8
B. Minimum Fireplace Opening . . . . .	14
C. Zero Clearance Wall Extension . . . . .	16
D. Mantel, Wall Projections, & Hearth Extensions . . . . .	18
E. Hearth Extension / Vinyl Flooring . . . . .	19

### 4 Installation Preparation

A. Cleaning . . . . .	21
B. Flue Damper . . . . .	21
C. Gas Line . . . . .	21
D. Fireplace Conversion Notice . . . . .	21
E. Electrical Outlet Box . . . . .	21

### 5 Installing Vent Pipe and Appliance

A. Vent Limits . . . . .	22
B. Using Vertical Restrictor . . . . .	23
C. Venting Components . . . . .	24
D. Connecting to SLP . . . . .	25
E. Connecting Vent Pipe . . . . .	26
F. Placing, Securing and Leveling the Appliance . . . . .	27
G. Installing Termination Cap . . . . .	28

### 6 Electrical Information

A. General Information . . . . .	29
B. Wiring Requirements . . . . .	30
C. Installation / Service for Fan . . . . .	31
D. Installation / Service for Halogens . . . . .	32

### 7 Gas Information

A. Fuel Conversion . . . . .	33
B. Gas Pressure . . . . .	34
C. Gas Connection . . . . .	34
D. High Altitude Installations . . . . .	35
E. Air Shutter Setting . . . . .	35
F. Service / Replace Appliance Gas Valve . . . . .	35

### 8 Finishing

A. Mantel, Wall Projections & Hearth Extensions . . . . .	36
B. Hearth Extension . . . . .	37

### 9 Appliance Setup

A. Fixed Glass Assembly . . . . .	39
B. Remove the Shipping Materials . . . . .	40
C. Clean the Appliance . . . . .	40
D. Accessories . . . . .	40
E. Refractory . . . . .	41
F. Ember Rocks Placement . . . . .	43
G. Mystic Embers Placement . . . . .	43
H. Ember Placement . . . . .	43
I. Install the Log Assembly . . . . .	44
J. Install Decorative Barrier Front and Surround . . . . .	52
K. Appliance Break-In . . . . .	53
L. Heat Management . . . . .	53

### 10 Reference Materials

A. Vent Components . . . . .	54
B. Accessories . . . . .	55

➔ = Contains updated information.

# Installation Standard Work Checklist

## ATTENTION INSTALLER: Follow this Standard Work Checklist

This standard work checklist is to be used by the installer in conjunction with, not instead of, the instructions contained in this installation manual.

<b>Customer:</b> _____	<b>Date Installed:</b> _____
<b>Lot/Address:</b> _____	<b>Location of Fireplace:</b> _____
	<b>Installer:</b> _____
<b>Model (circle one):</b> TRILLIANT25IN, TRILLIANT30IN, TRILLIANT35IN	<b>Dealer/Distributor Phone #</b> _____
	<b>Serial #:</b> _____

**WARNING! Risk of Fire or Explosion!** Failure to install appliance according to these instructions could lead to a fire or explosion.

<b>Appliance Install</b>	<b>YES</b>	<b>IF NO, WHY?</b>
Verify fireplace is clean and remove/block open damper/modify damper for vent pipe clearance (Section 4).	<input type="checkbox"/>	_____
Locate multi-purpose tool (Section 2).	<input type="checkbox"/>	_____
Appliance is leveled and secured (Section 5.F).	<input type="checkbox"/>	_____
<b>Venting/Chimney Section 5</b>		
Exhaust and inlet flex vent pipe are properly formed and routed through existing fireplace damper.	<input type="checkbox"/>	_____
Exhaust and inlet flex vent pipe are properly installed to the correct collars, sealed and secured to top slide plate and to the termination cap.	<input type="checkbox"/>	_____
Vertical restrictors are properly set (if applicable).	<input type="checkbox"/>	_____
Exterior roof flashing installed and sealed.	<input type="checkbox"/>	_____
Termination cap installed, secured and sealed to top slide plate.	<input type="checkbox"/>	_____
<b>Electrical Section 6</b>		
Unswitched power (110-120 VAC) provided to the appliance.	<input type="checkbox"/>	_____
Switch wires properly installed.	<input type="checkbox"/>	_____
<b>Gas Section 7</b>		
Proper appliance for fuel type.	<input type="checkbox"/>	_____
Was a conversion performed?	<input type="checkbox"/>	_____
Leak check performed and inlet pressure verified.	<input type="checkbox"/>	_____
Verified proper air shutter setting for installation type.	<input type="checkbox"/>	_____
<b>Finishing Section 8</b>		
Combustible materials not installed in non-combustible areas.	<input type="checkbox"/>	_____
Verified all clearances meet installation manual requirements.	<input type="checkbox"/>	_____
Mantels and wall projections comply with installation manual requirements.	<input type="checkbox"/>	_____
<b>Appliance Setup Section 9</b>		
All packaging and protective materials removed (inside & outside of appliance).	<input type="checkbox"/>	_____
Refractories, logs, media and embers installed correctly.	<input type="checkbox"/>	_____
Glass assembly and glass seal plate installed and secured.	<input type="checkbox"/>	_____
Accessories installed properly.	<input type="checkbox"/>	_____
Surround and decorative front properly installed. See instructions shipped with appliance front.	<input type="checkbox"/>	_____
Manual bag and all of its contents are removed from inside/under the appliance and given to party responsible for use and operation.	<input type="checkbox"/>	_____
Fireplace warning plate is attached to the existing woodburning fireplace.	<input type="checkbox"/>	_____
Remote control is programmed, functions verified using remote control instructions.	<input type="checkbox"/>	_____
Started appliance and verified no gas leaks exist.	<input type="checkbox"/>	_____

**Hearth & Home Technologies recommends the following:**

- Photographing the installation and copying this checklist for your file.
- That this checklist remain visible at all times on the appliance until the installation is complete.

**Comments:** Further description of the issues, who is responsible (Installer/ Builder/ Other Trades, etc) and corrective action needed \_\_\_\_\_

Comments Communicated to party responsible \_\_\_\_\_ by \_\_\_\_\_ on \_\_\_\_\_  
 → = Contains updated information. (Builder / Gen. Contractor/) (Installer) (Date)

2571-982 4/23

# 1 Product Specific and Important Safety Information

## A. Appliance Certification

**MODELS:** TRILLIANT25IN, TRILLIANT30IN, TRILLIANT35IN

**LABORATORY:** Underwriters Laboratories, Inc. (UL)

**TYPE:** Direct Vent Heater

**STANDARD:** ANSI Z21.88-2019 CSA 2.33-2019

This product is listed to ANSI standards for “Vented Gas Fireplace Heaters” and applicable sections of “Gas Burning Heating Appliances for Manufactured Homes and Recreational Vehicles”, and “Gas Fired Appliances for Use at High Altitudes”.

**NOTICE:** This installation must conform with local codes. In the absence of local codes you must comply with the National Fuel Gas Code, ANSI Z223.1-latest edition in the U.S.A. and the CAN/CGA B149 Installation Codes in Canada.

### NOT INTENDED FOR USE AS A PRIMARY HEAT SOURCE.

This appliance is tested and approved as either supplemental room heat or as a decorative appliance. It should not be factored as primary heat in residential heating calculations.

## B. Glass Specifications

This appliance is equipped with ceramic glass. Replace glass only with ceramic glass. Please contact your dealer for replacement glass.

## C. BTU Specifications

Models (U.S. or Canada)		Maximum Input BTU/h	Minimum Input BTU/h	Orifice Size (DMS)
TRILLIANT25IN (NG)	(0-2000 FT)	27,000	18,900	40
TRILLIANT25IN (Propane)	(0-2000 FT)	25,000	17,500	53
TRILLIANT30IN (NG)	(0-2000 FT)	32,700	22,890	35
TRILLIANT30IN (Propane)	(0-2000 FT)	32,000	22,400	51
TRILLIANT35IN (NG)	(0-2000 FT)	35,000	24,500	33
TRILLIANT35IN (Propane)	(0-2000 FT)	35,000	24,500	50

## D. High Altitude Installations

**NOTICE:** If the heating value of the gas has been reduced, these rules do not apply. Check with your local gas utility or authorities having jurisdiction.

When installing above 2000 feet elevation:

- In the USA: Reduce input rate 4% for each 1000 feet above 2000 feet.
- In CANADA: Input ratings are certified without a reduction of input rate for elevations up to 4500 feet (1370 m) above sea level. Please consult provincial and/or local authorities having jurisdiction for installations at elevations above 4500 feet (1370 m).

Check with your local gas utility to determine proper orifice size.

## E. Non-Combustible Materials Specification

Material which will not ignite and burn. Such materials are those consisting entirely of steel, iron, brick, tile, concrete, slate, glass or plasters, or any combination thereof.

Materials that are reported as passing **ASTM E 136, Standard Test Method for Behavior of Materials in a Vertical Tube Furnace at 750 °C** shall be considered non-combustible materials.

## F. Combustible Materials Specification

Materials made of or surfaced with wood, compressed paper, plant fibers, plastics, or other material that can ignite and burn, whether flame proofed or not, or plastered or unplastered shall be considered combustible materials.

## G. Electrical Codes

**NOTICE:** This appliance must be electrically wired and grounded in accordance with local codes or, in the absence of local codes, with **National Electric Code ANSI/NFPA 70-latest edition** or the **Canadian Electric Code CSA C22.1**.

- A 110-120 VAC circuit for this product must be protected with ground-fault circuit-interrupter protection, in compliance with the applicable electrical codes, when it is installed in locations such as in bathrooms or near sinks.

## H. California



**WARNING:** This product and the fuels used to operate this product (liquid propane or natural gas), and the products of combustion of such fuels, can expose you to chemicals including benzene, which is known to the State of California to cause cancer and reproductive harm. For more information go to: [www.P65Warnings.ca.gov](http://www.P65Warnings.ca.gov).

## 2 Getting Started

### A. Design and Installation Considerations

**WARNING! Risk of Fire or Explosion! Read all instructions before starting the installation**

Gas inserts are designed for installations into solid fuel masonry or UL127 listed factory built fireplaces. No additional outside air source is required.

Installation MUST comply with local, regional, state and national codes and regulations. Consult insurance carrier, local building inspector, fire officials or authorities having jurisdiction over restrictions, installation inspection and permits.

Prior to installing the gas insert:

- Ensure chimney is constructed of non-combustible materials.
- Ensure chimney is clean and in good working order.
- Ensure that all chimney cleanouts fit properly to prevent air leakage into chimney.
- Ensure combustible mantel and surround clearances comply with insert requirements.
- Ensure all joints are properly engaged and the chimney is properly secured.
- Determine minimum fireplace size. See Section 3.A and 3.B.
- Determine gas supply piping requirements.
- Determine electrical wiring requirements.
- Determine finishing details.
- Determine whether optional accessories—devices such as a wall switch or remote control—are desired.

Installation and service of this appliance should be performed by qualified personnel. Hearth & Home Technologies recommends HHT Factory Trained or NFI certified professionals.



Improper installation, adjustment, alteration, service or maintenance can cause injury or property damage. For assistance or additional information, consult a qualified service technician, service agency or your dealer.

### Multi-Purpose Tool

- See Figure 2.1 for multi-purpose tool functions and features.
- See Figure 2.2 for multi-purpose tool shipping location.
- See Figure 2.3 for multi-purpose tool storage location options.

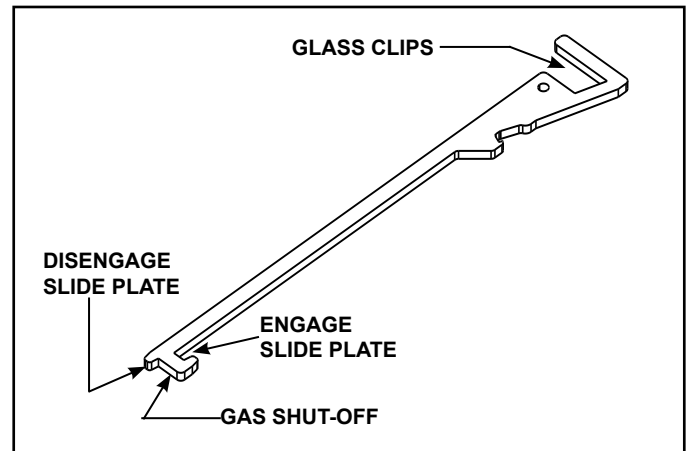


Figure 2.1 Multi-Purpose Tool

## Multi-Purpose Tool - Shipping Location

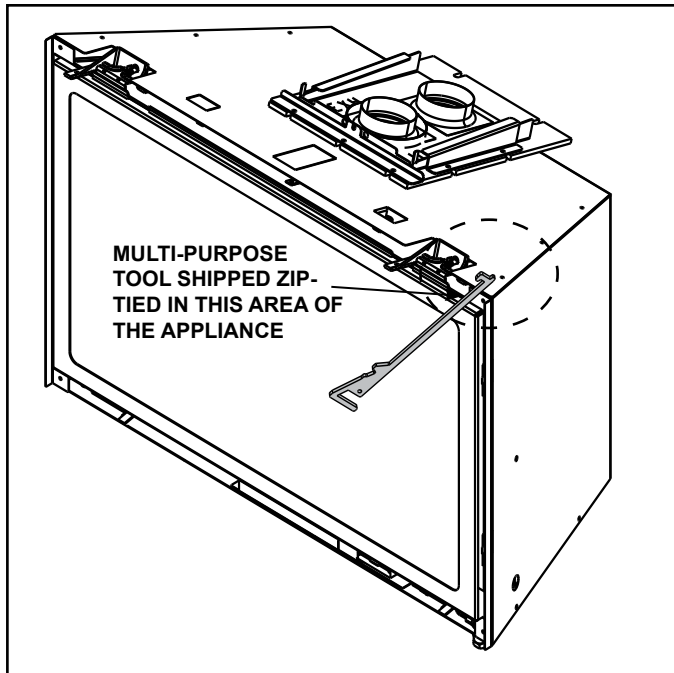


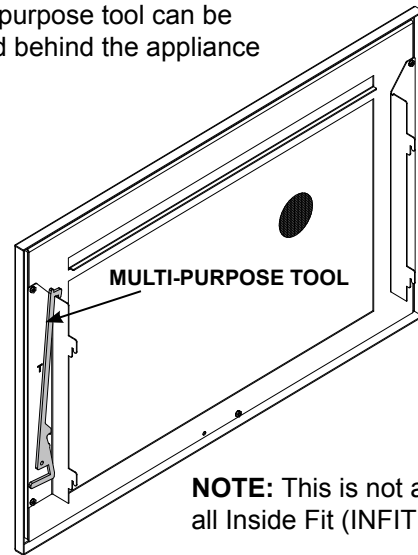
Figure 2.2 Multi-Purpose Tool shipping Location

- Remove multi-purpose tool by cutting and discarding zip-tie.
- See Figure 2.3 for multi-purpose tool storage.
- See Figure 2.1 for multi-purpose tool features / functions.

## Multi-Purpose Tool - Storage Options

### OPTION A

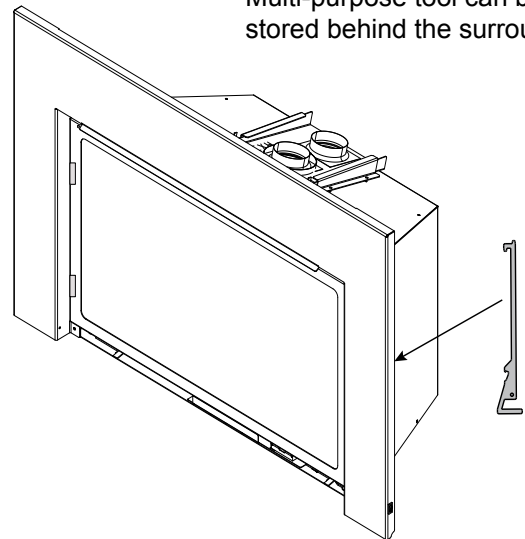
Multi-purpose tool can be stored behind the appliance front.



**NOTE:** This is not an option for all Inside Fit (INFIT) fronts.

### OPTION B

Multi-purpose tool can be stored behind the surround.



### OPTION C

Multi-purpose tool can be stored in appliance manual bag.

Figure 2.3 Multi-Purpose Tool Storage Options

**DO NOT store appliance manual bag in or around the appliance.**

## B. Good Faith Wall Surface

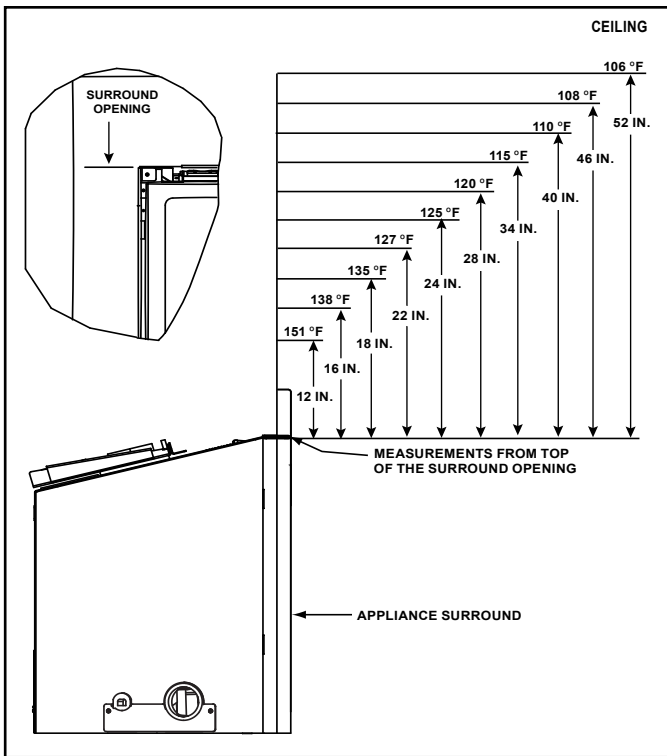


Figure 2.4 Good Faith Wall Surface Temperatures Above Appliance

If installing a television (TV) above the appliance, see Section 3 of the appliance Owner's Manual.

**NOTICE:** *Temperatures listed above are taken with a temperature measuring probe as prescribed by the test standard used for appliance certification. Temperatures on walls or mantels taken with an infrared thermometer may yield increased temperatures of up to 30 °F or more depending on the thermometer settings and material characteristics being measured. Use appropriate finishing materials that are able to withstand these conditions. For additional finishing guidelines, see Section 8.*

## C. Tools and Supplies Needed

Before beginning the installation be sure that the following tools and building supplies are available.

Tape measure	Pliers
Hammer	Phillips screwdriver
Voltmeter	Electric drill and bits (1/4 in.)
Gloves	Safety glasses
Level	Reciprocating saw
Manometer	Flat blade screwdriver
Stove cement / Aluminum foil tape	
3/16 in. Allen wrench (Rear Leveling Legs)	
Elongated pressure taps (Recommended)	
Noncorrosive leak check solution	
Caulking material (300 °F minimum continuous exposure rating)	

## D. Inspect Appliance and Components

- Carefully remove the appliance and components from the packaging.
- The vent system components, decorative barrier fronts and surrounds are shipped in separate packages.
- If packaged separately, the log set and appliance grate must be installed.
- Report to your dealer any parts damaged in shipment, particularly the condition of the glass.
- **Read all of the instructions before starting the installation. Follow these instructions carefully during the installation to ensure maximum safety and benefit.**

**WARNING! Risk of Fire or Explosion! Damaged parts could impair safe operation. DO NOT install damaged, incomplete or substitute components. Keep appliance dry.**

Hearth & Home Technologies disclaims any responsibility for, and the warranty will be voided by, the following actions:

- Installation and use of any damaged appliance or vent system component.
- Modification of the appliance or vent system.
- Installation other than as instructed by Hearth & Home Technologies.
- Improper positioning of the gas logs or the glass door.
- Installation and/or use of any component part not approved by Hearth & Home Technologies.

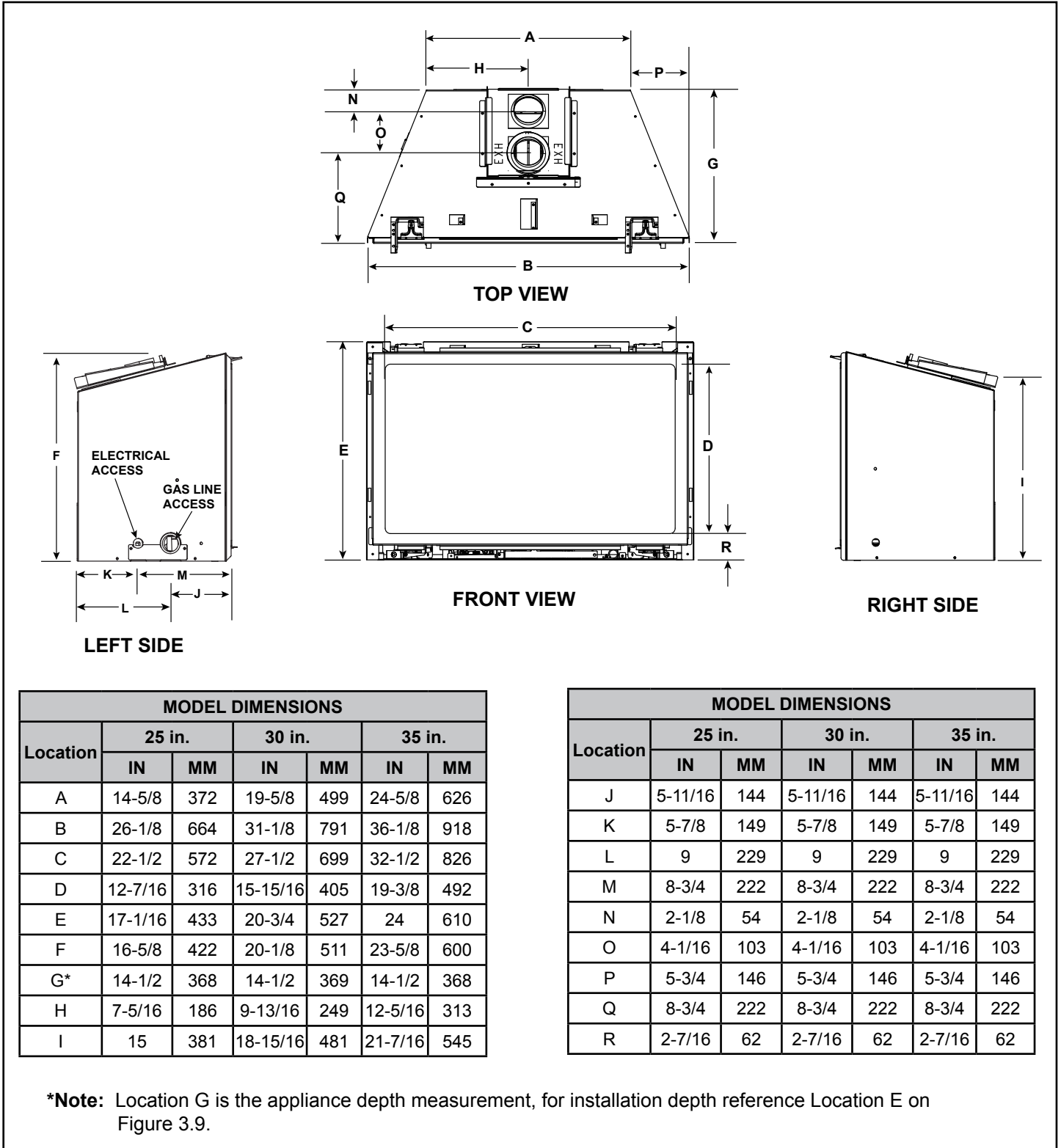
**Any such action may cause a fire hazard.**

**WARNING! Risk of Fire, Explosion or Electric Shock! DO NOT use this appliance if any part has been under water. Call a qualified service technician to inspect the appliance and to replace any part of the control system and/or gas control which has been under water.**

# 3 Appliance / Fireplace Requirements and Clearances

## A. Appliance/Decorative Barrier Front Dimension Diagrams

Dimensions are actual appliance dimensions. Use for reference only. For additional clearances refer to Sections 3.D and 3.E.



MODEL DIMENSIONS						
Location	25 in.		30 in.		35 in.	
	IN	MM	IN	MM	IN	MM
A	14-5/8	372	19-5/8	499	24-5/8	626
B	26-1/8	664	31-1/8	791	36-1/8	918
C	22-1/2	572	27-1/2	699	32-1/2	826
D	12-7/16	316	15-15/16	405	19-3/8	492
E	17-1/16	433	20-3/4	527	24	610
F	16-5/8	422	20-1/8	511	23-5/8	600
G*	14-1/2	368	14-1/2	369	14-1/2	368
H	7-5/16	186	9-13/16	249	12-5/16	313
I	15	381	18-15/16	481	21-7/16	545

MODEL DIMENSIONS						
Location	25 in.		30 in.		35 in.	
	IN	MM	IN	MM	IN	MM
J	5-11/16	144	5-11/16	144	5-11/16	144
K	5-7/8	149	5-7/8	149	5-7/8	149
L	9	229	9	229	9	229
M	8-3/4	222	8-3/4	222	8-3/4	222
N	2-1/8	54	2-1/8	54	2-1/8	54
O	4-1/16	103	4-1/16	103	4-1/16	103
P	5-3/4	146	5-3/4	146	5-3/4	146
Q	8-3/4	222	8-3/4	222	8-3/4	222
R	2-7/16	62	2-7/16	62	2-7/16	62

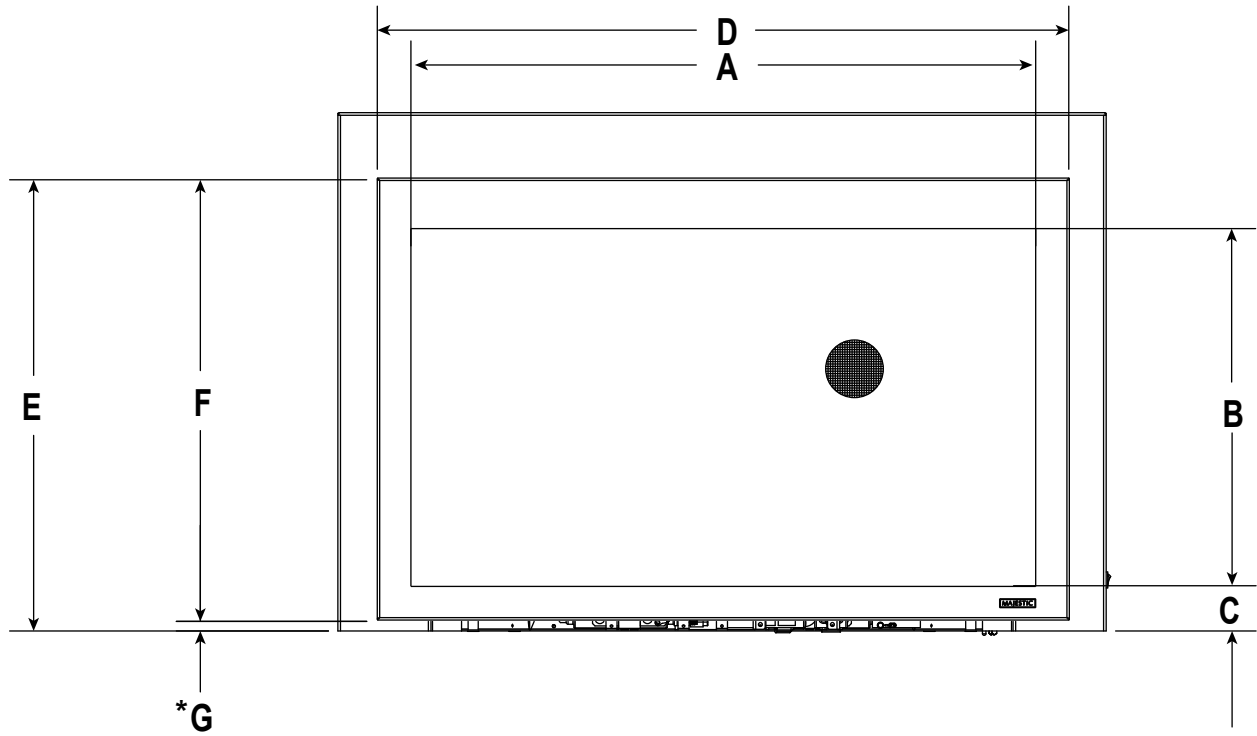
\*Note: Location G is the appliance depth measurement, for installation depth reference Location E on Figure 3.9.

Figure 3.1 Appliance Dimensions



# DECORATIVE BARRIER FRONTS - CLEAN SCREEN

**\* NOTICE:** 1/2 inch gap must be maintained or components will overheat.



			A	B	C	D	E	F	G
TRILLIANT25IN	CSFI25	in.	27-3/8	15-1/8	3-1/2	31	20	19-1/2	1/2
		mm	695	384	89	787	508	495	13
TRILLIANT30IN	CSFI30	in.	32-3/8	18-5/8	3-1/8	36	23-1/2	23	1/2
		mm	822	473	79	914	597	584	13
TRILLIANT35IN	CSFI35	in.	37-3/8	22-1/8	3-1/8	41	27	26-1/2	1/2
		mm	949	562	79	1041	686	673	13

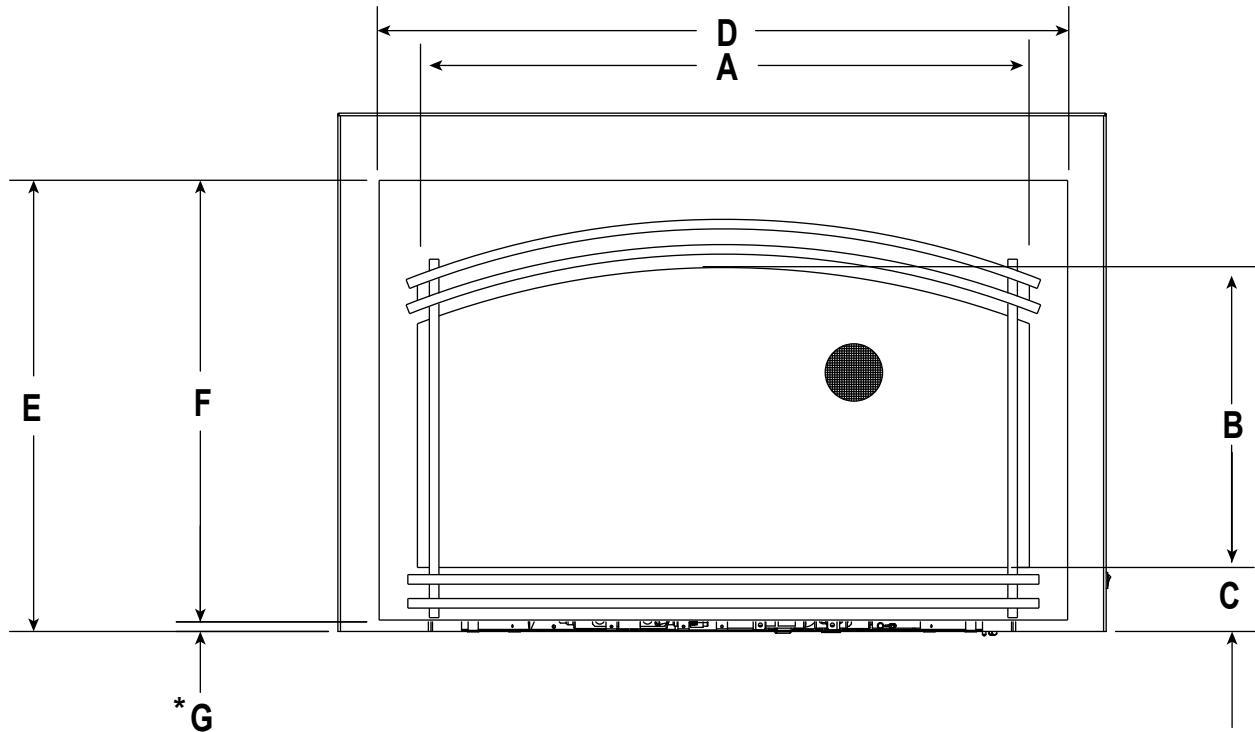
Figure 3.2 Decorative Barrier Front Dimensions - Clean Screen

# DECORATIVE BARRIER FRONT - FORGE ARCH

**IMPORTANT!** This fireplace requires an installed decorative barrier front to prevent direct contact with the hot viewing glass. **DO NOT** operate the fireplace with the barrier removed.

Decorative barrier front must be ordered at time of fireplace purchase. If decorative barrier front is not present, contact dealer.

\* **NOTICE:** 1/2 inch gap must be maintained or components will overheat.

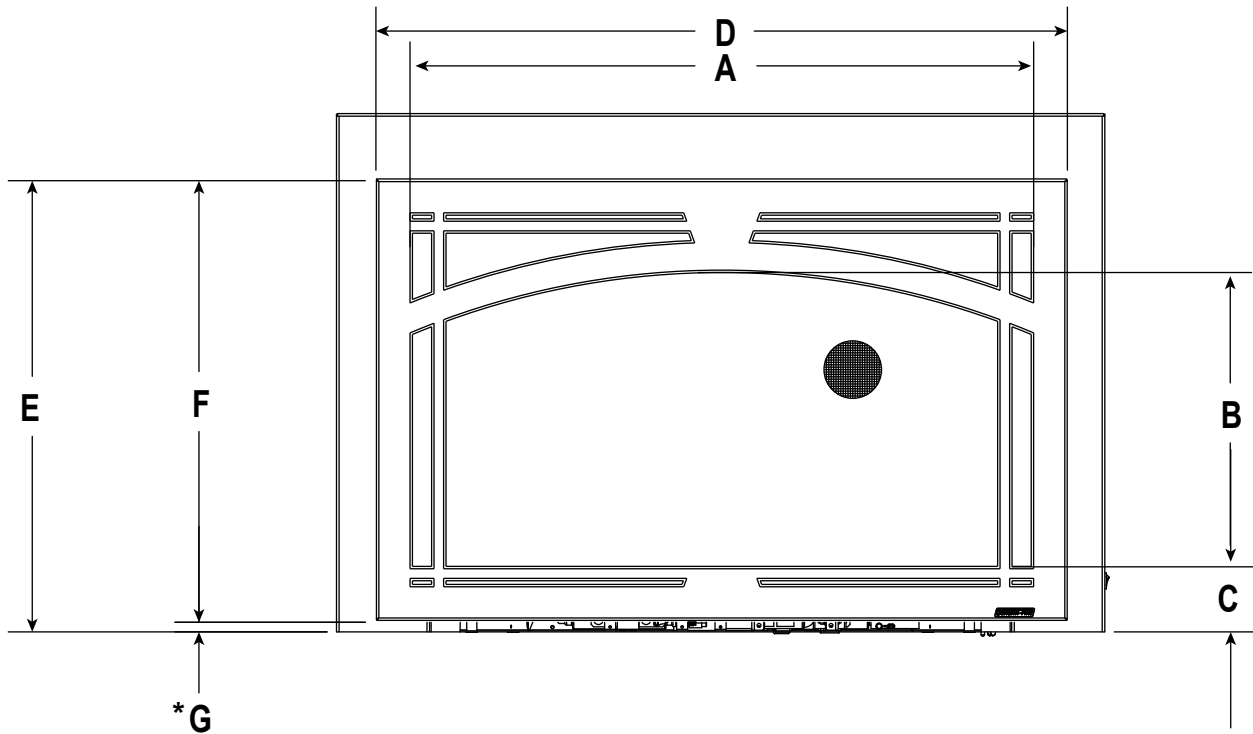


			A	B	C	D	E	F	G
TRILLIANT25IN	FA-TRI25	in.	27	14-3/4	3-1/4	31	20	19-1/2	1/2
		mm	686	375	83	787	508	495	13
TRILLIANT30IN	FA-TRI30	in.	32	15-3/16	3-1/4	36	23-1/2	23	1/2
		mm	813	386	83	914	597	584	13
TRILLIANT35IN	FA-TRI35	in.	37	19-3/16	3-1/4	41	27	26-1/2	1/2
		mm	940	487	83	1041	686	673	13

Figure 3.3 Decorative Barrier Front Dimensions - Forge Arch

# DECORATIVE BARRIER FRONT - TUSCAN ARCH

\* **NOTICE:** 1/2 inch gap must be maintained or components will overheat.

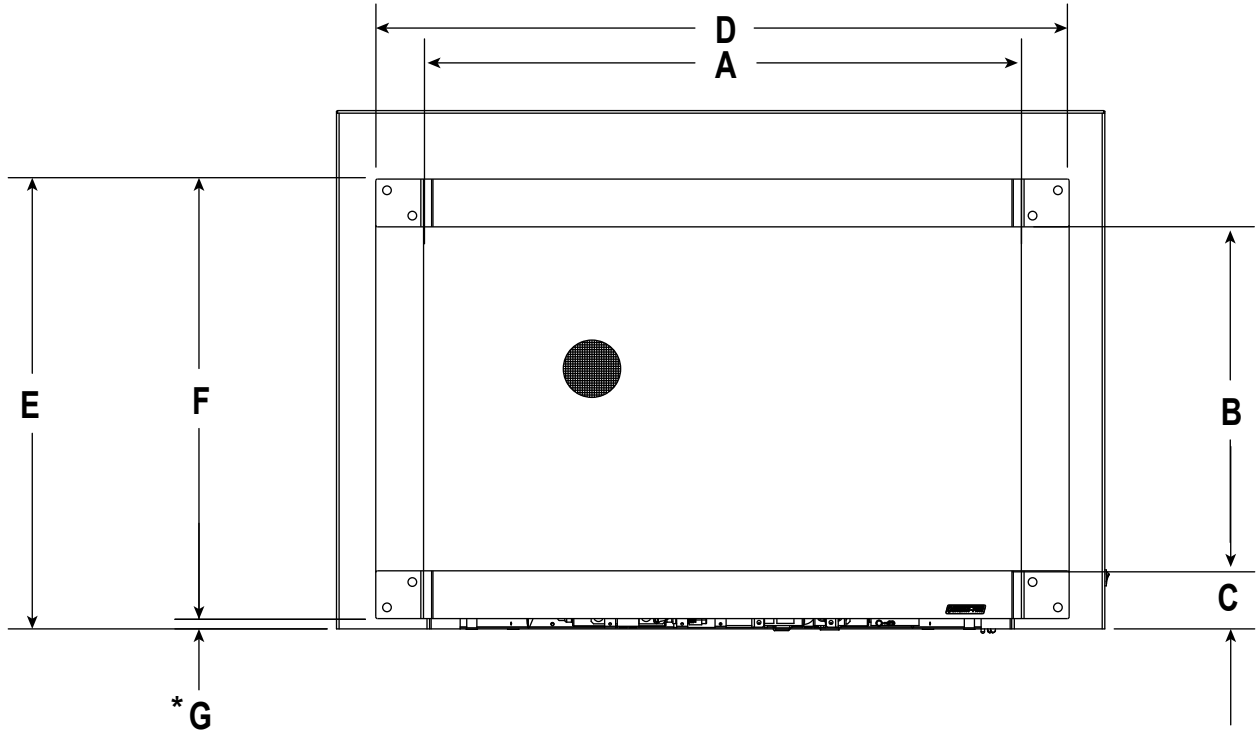


			A	B	C	D	E	F	G
TRILLIANT25IN	TA-TRI25	in.	27-5/16	12-1/16	3-1/4	31	20	19-1/2	1/2
		mm	694	306	83	787	508	495	13
TRILLIANT30IN	TA-TRI30	in.	32-5/16	15-9/16	3-1/4	36	23-1/2	23	1/2
		mm	821	395	83	914	597	584	13
TRILLIANT35IN	TA-TRI35	in.	33-9/16	18-13/16	3-1/4	41	27	26-1/2	1/2
		mm	852	478	83	1041	686	673	13

Figure 3.4 Decorative Barrier Front Dimensions - Tuscan Arch

# DECORATIVE BARRIER FRONT - MISSION FULL VIEW

**\* NOTICE:** 1/2 inch gap must be maintained or components will overheat.

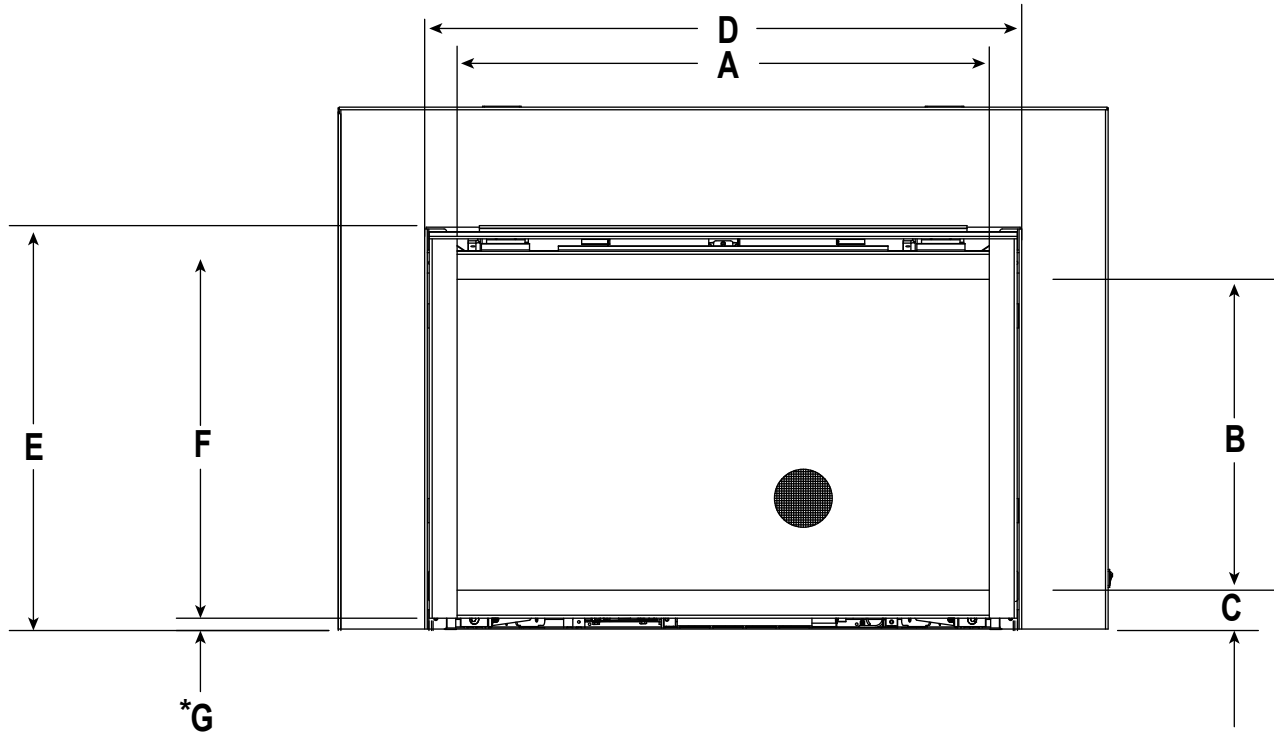


			A	B	C	D	E	F	G
TRILLIANT25IN	MFV-TRI25	in.	26-1/4	14-1/2	3	31-1/4	20	19-1/2	1/2
		mm	667	368	76	794	508	495	13
TRILLIANT30IN	MFV-TRI30	in.	31-1/4	18	3	36-1/4	23-1/2	23	1/2
		mm	794	457	76	921	597	584	13
TRILLIANT35IN	MFV-TRI35	in.	36-1/4	21-1/2	3	41-1/4	27	26-1/2	1/2
		mm	921	546	76	1048	686	673	13

Figure 3.5 Decorative Barrier Front Dimensions - Mission Full View

# DECORATIVE BARRIER FRONTS - INSIDE FIT

**\* NOTICE:** 1/2 inch gap must be maintained or components will overheat.



			A	B	C	D	E	F	G
TRILLIANT25IN	INFIT-25	in.	22-5/8	12-9/16	1-7/8	25-5/8	17	16-1/2	1/2
		mm	575	319	48	651	432	420	13
TRILLIANT30IN	INFIT-30	in.	27-5/8	16-1/16	1-7/8	30-5/8	20-1/2	20	1/2
		mm	702	408	48	778	521	508	13
TRILLIANT35IN	INFIT-35	in.	32-5/8	19-9/16	1-7/8	35-5/8	24	23-1/2	1/2
		mm	829	497	48	905	610	597	13

Figure 3.6 Decorative Barrier Front Dimensions - Inside Fit

## B. Minimum Fireplace Opening

Minimum fireplace opening requirements for a standard 3/4 inch deep surround are shown in Figure 3.9. For smaller openings, a custom surround is available.

**WARNING! Risk of Fire or Burns! Provide adequate clearance around air openings and for service access. Due to high temperatures, the appliance should be located out of traffic and away from furniture and draperies.**

**For Installation into a Zero Clearance Wood burning fireplace:**

- The brick (refractory), glass doors, screen rails, screen mesh and log grates can be removed from a factory built firebox in order to gain minimum gas insert opening requirements.
- Any smoke shelves, shields and baffles may be removed from the factory built firebox if attached with mechanical fasteners.

- The metal floor of the solid fuel firebox may be removed to facilitate the installation of the insert.
- A metal lip protruding above the hearth pad of the solid fuel firebox may be removed. See Figure 3.8.

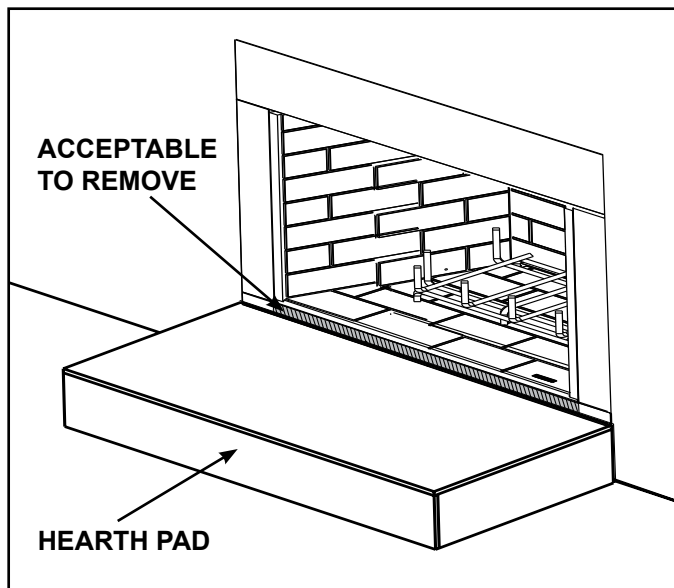


Figure 3.8 Solid Fuel Firebox

- Cutting of any sheet metal parts of the fireplace in which the gas fireplace insert is to be installed is prohibited, except the floor and front lip as tested for and as noted above. See Section 4.C for gas line exception.
- A minimum 1/4 inch gap from the bottom of the appliance to the metal floor of the solid fuel firebox is **REQUIRED**. See side view in Figure 3.7.
- Manufactured gas inserts can be installed as a zero clearance wall extension appliance. See Section 3.C for clearance detail.

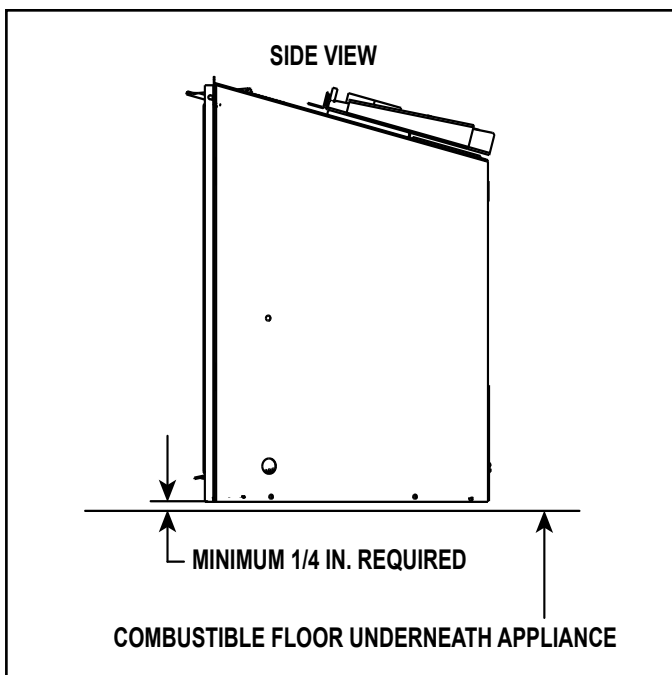


Figure 3.7 Solid Fuel Floor Clearance

- The appliance may not be placed directly on the base of the outer wrap, a 1/4 inch airspace **MUST** be provided between the insert and the floor of the outer wrap. Use the leveling legs to raise the insert a minimum of 1/4 inch. The original fireplace may never be returned to solid fuel in this condition. The sidewalls and top structure of the firebox may not be altered with the exception of removable baffles and dampers.

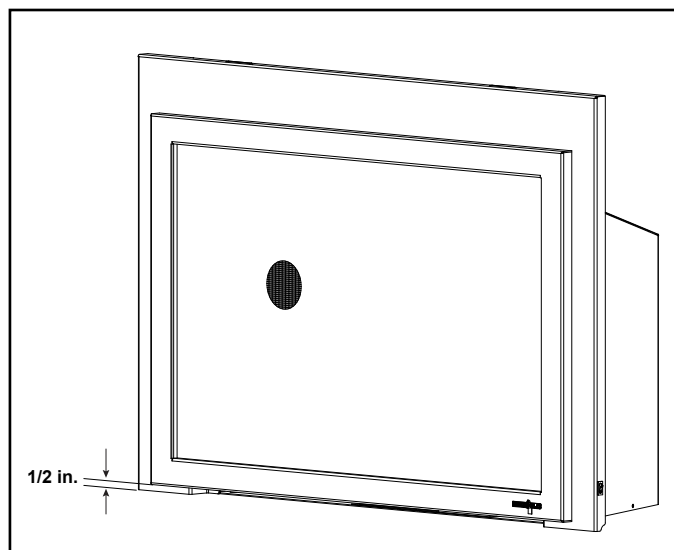


Figure 3.9 Minimum Required 1/2 in. Gap

**NOTICE:** 1/2 inch gap must be maintained or components will overheat.

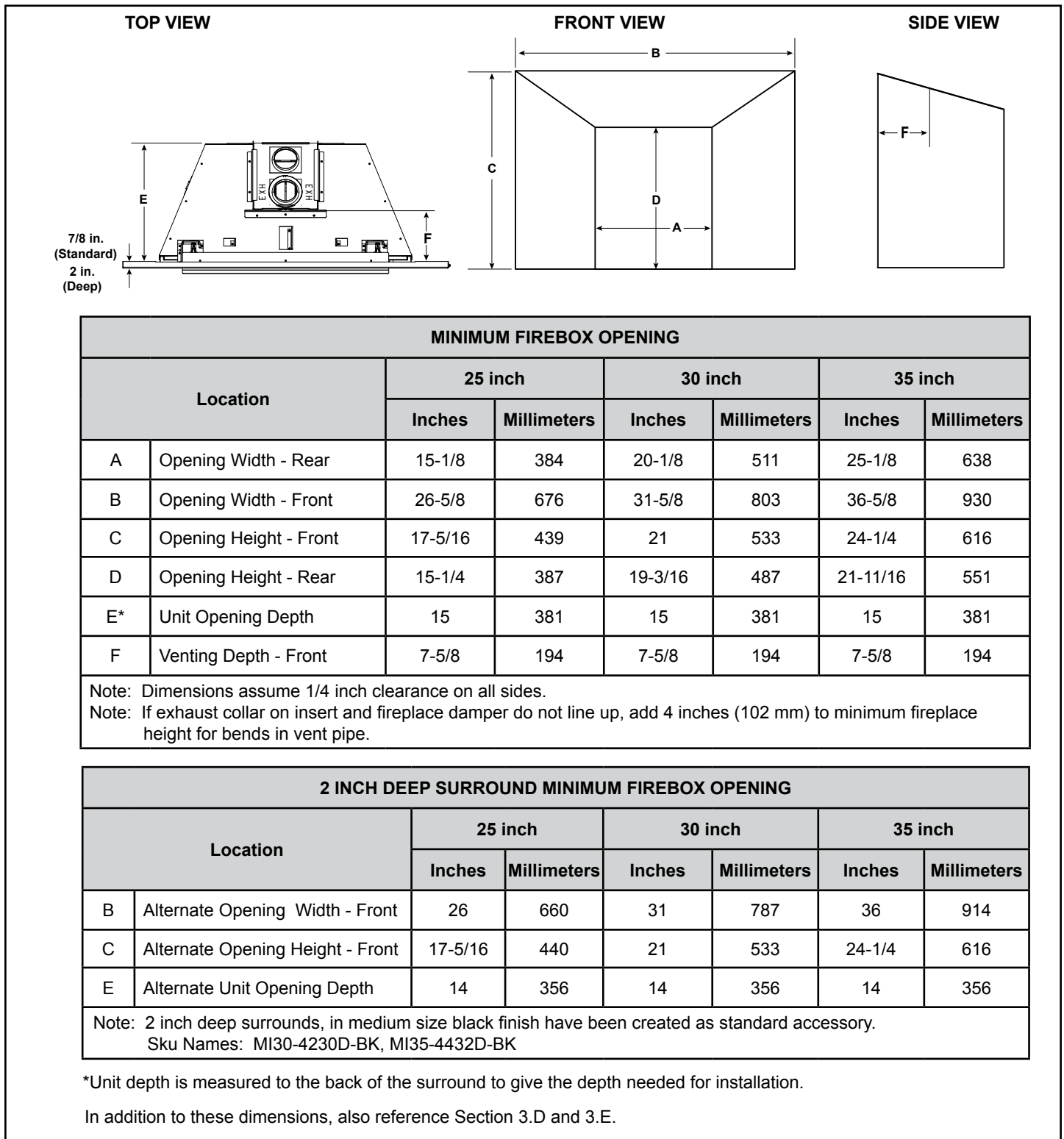


Figure 3.10 Firebox Opening - Standard Surround - 3/4 in.

### Custom Surrounds

Custom surrounds are available. See your dealer for information. Standard surrounds are 3/4 inches deep. Custom surrounds are available up to 3 inches deep. A 3 inch deep surround would reduce the unit opening depth (E\*) by 2-1/4 inches (3 in. - 3/4 in. = 2-1/4 in).

### On Site Custom Surrounds

On site custom surrounds are available. See your dealer for information. On site custom surrounds are flush and have no depth. A flush surround would increase the unit opening depth (E\*) by 3/4 inch.

### C. Zero Clearance Wall Extension

Surrounds **MUST** overlap wall extension.

A non-combustible wall extension can be used to cover an existing masonry surface. Wall extensions are typically used to improve cosmetics.

**WARNING! Risk of Fire!** Comply with all minimum clearances to combustibles as specified. Framing or finishing material closer than the minimums listed must be constructed entirely of noncombustible materials (i.e., steel studs, concrete board, etc).

Combustible facings must not extend behind the insert surround. See Section 1.E and 1.F.

#### Non-Combustible Materials Specification

Material which will not ignite and burn. Such materials are those consisting entirely of steel, iron, brick, tile, concrete, slate, glass or plasters, or any combination thereof.

Materials that are reported as passing **ASTM E 136, Standard Test Method for Behavior of Materials in a Vertical Tube Furnace at 750 °C.**

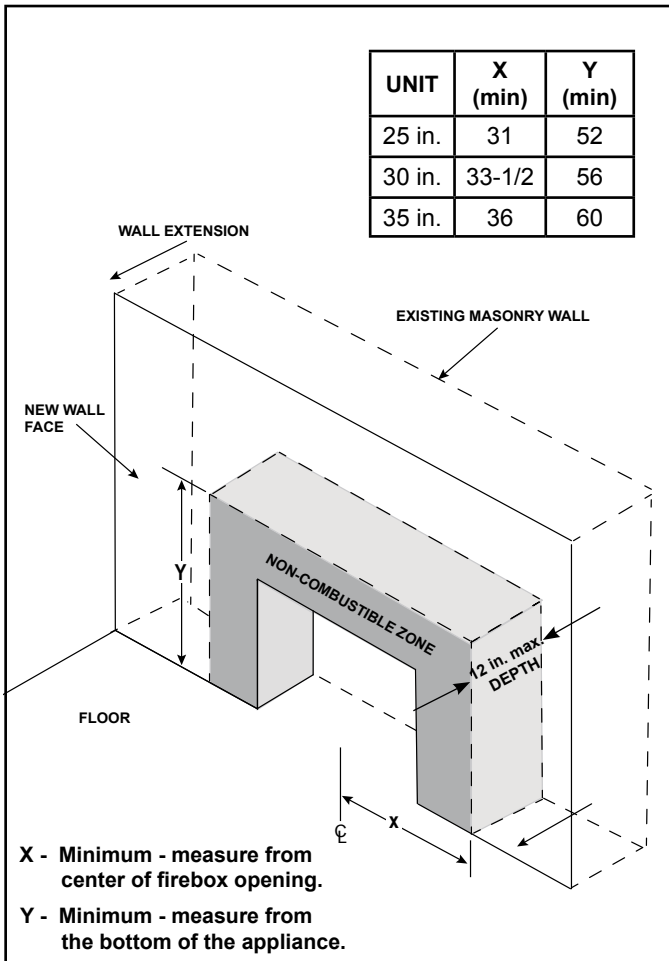


Figure 3.11 Non-Combustible Framing Requirement

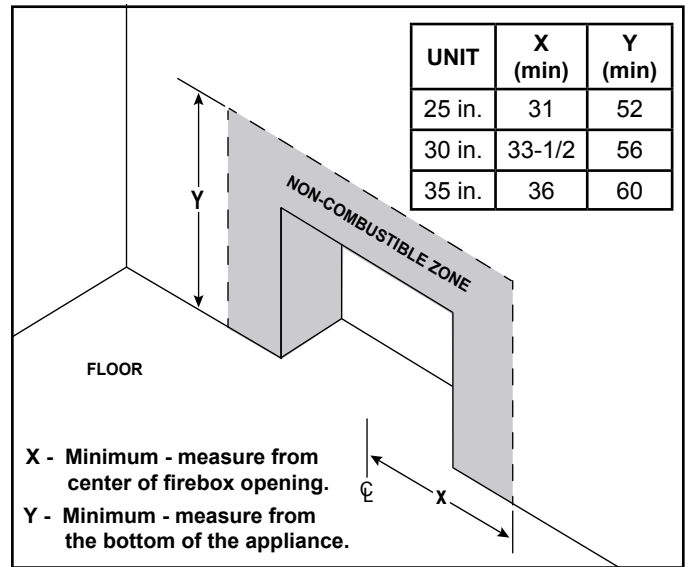


Figure 3.12 Non-Combustible Facing Requirement

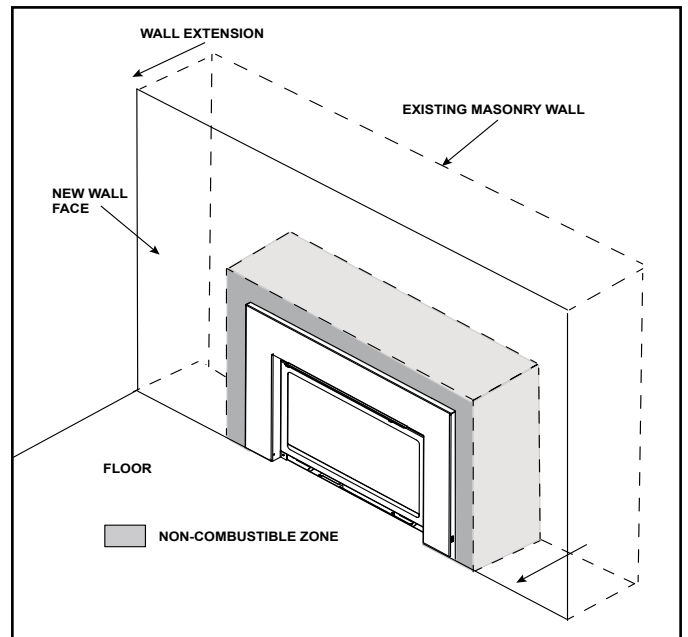


Figure 3.13 Non-Combustible Framing / Facing Requirement

- Facing and/or finishing materials must not interfere with air flow through decorative barrier fronts.
- Facing and/or finishing materials must never overhang into the glass opening.
- Observe all clearances when applying combustible materials.
- Maximum depth of wall extension is 12 inches. This may be limited by the flex pipe's ability to connect to the starting collar.
- Covering combustible materials with non-combustible materials does not qualify material as non-combustible.

**WARNING! Risk of Fire! DO NOT** apply combustible materials beyond the minimum clearances. Comply with all minimum clearances to combustibles as specified in this manual. Overlapping materials could ignite and will interfere with proper operation of decorative barrier fronts.



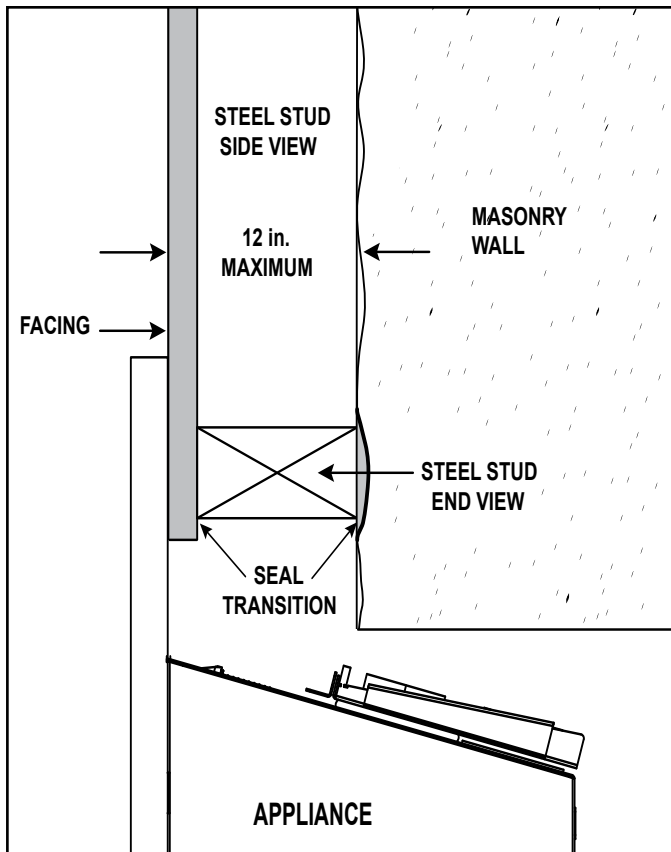


Figure 3.14 Transition Sealing Detail for Wall Extensions (Side View)

### Wall Extension

Wall extension must be sealed to existing masonry wall. See Figure 3.14. Framing studs may not sit flush against existing masonry wall. In order to keep heat from escaping behind the wall this transition must be sealed.

- Seal with a high temperature silicone 300 °F.  
and / or
- Packing insulation into voids between the masonry wall and steel studs is acceptable.

**Note:** Combustible materials may be used to seal wall extension to existing masonry wall as long as it is outside the non-combustible zone.

### Painting

If desired finishing includes a painted wall, a high-quality 100% acrylic latex paint with a high-quality latex primer base coat are recommended around the appliance to limit discoloration. Oil-based or standard acrylic paints may be more prone to discoloration due to heat exposure.

### Drywall Joint-Crack Prevention and Repair

Drywall joints around the fireplace will be affected by exposure to elevated temperatures, along with other environmental, structural factors due to new construction, and methods used to install and finish the drywall. If a crack does emerge adjacent to the fireplace, it can be permanently repaired by filling it with a paintable latex caulk, followed by repainting.

Some movement of the screws used to secure the non-combustible board to the appliance/surround framing is expected. If a blemish begins to show over a screw head, sand the surface to remove the blemish and repaint.

**NOTE:** Concealed sections of 3 in. flex pipe must be contained inside existing masonry fireplace flue vent or installed into an existing wood burning vent system.

## D. Mantel, Wall Projections, & Hearth Extensions

**WARNING! Risk of Fire!** Comply with all minimum clearances to combustibles as specified. Framing or finishing material closer than the minimums listed must be constructed entirely of noncombustible materials (i.e., steel studs, concrete board, etc).

Clearance to combustible material under the insert is 1/4 inch (6 mm).

- Use leveling legs to raise insert minimum 1/4 inch (6 mm) above combustible material or outer wrap of factory built firebox.

Combustible facings must not extend behind the insert surround. For non-combustible material specifications refer to Section 1.E and 1.F.

### Mantel Legs or Wall Projections

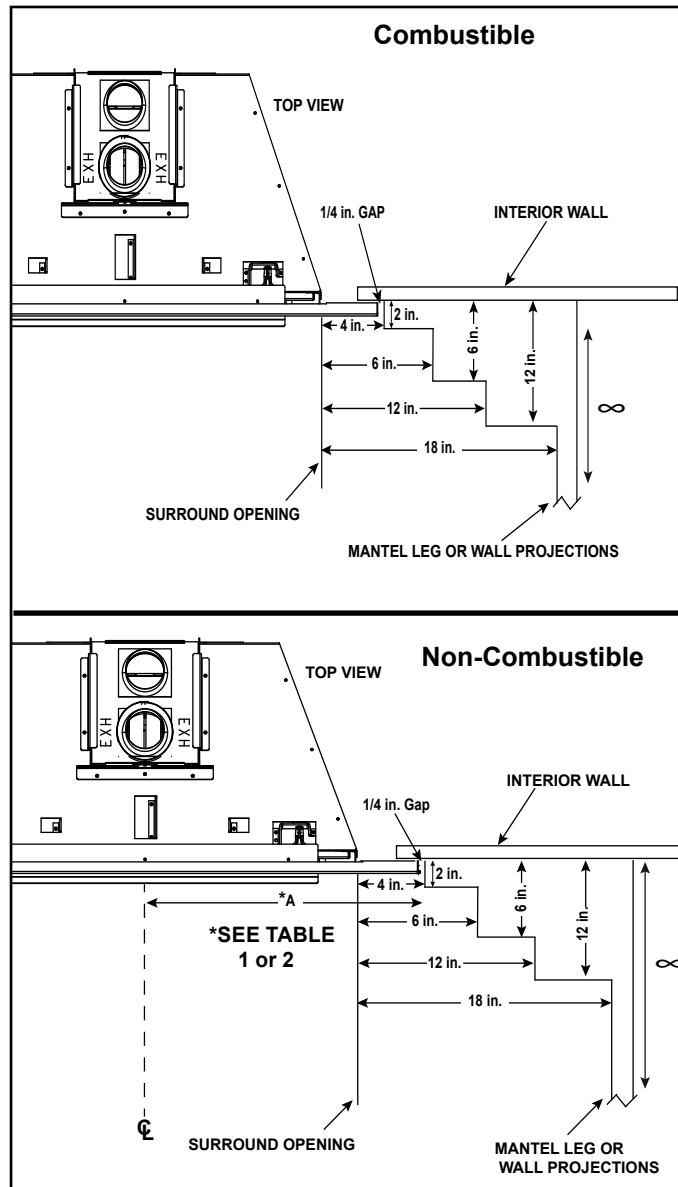


Figure 3.15 Clearances to Mantel Legs or Wall Projections (Acceptable on both sides of surround opening)

### Mantels or Wall Projections - Non-Combustible

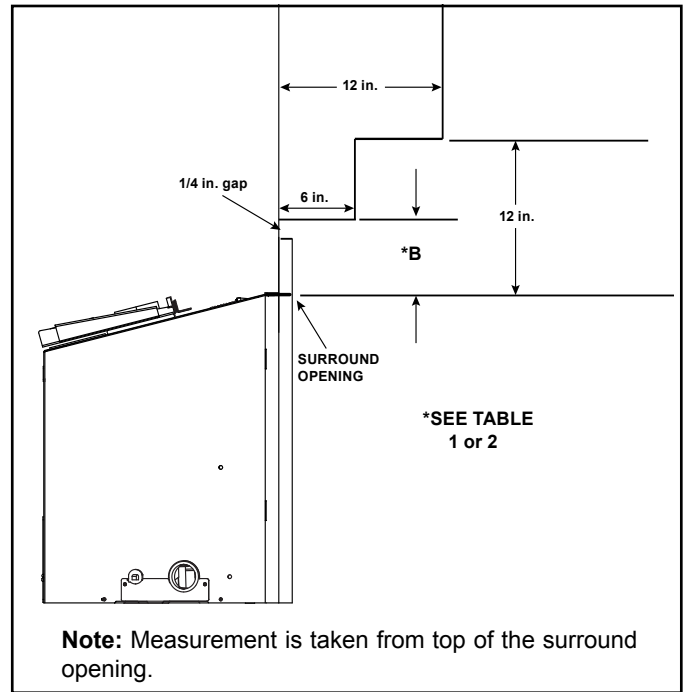


Figure 3.16 Minimum Vertical and Maximum Horizontal Dimensions - Non-Combustible

Unit Size	Surround Model	A	B
25 in.	MI25-3523	17-15/16 in.	6-1/16 in.
	MI25-3726	18-15/16 in.	9-1/16 in.
	MI25-3928	19-15/16 in.	11-1/16 in.
30 in.	MI30-4027	20-7/16 in.	6-9/16 in.
	MI30-4230	21-7/16 in.	9-9/16 in.
	MI30-4432	22-7/16 in.	11-9/16 in.
35 in.	MI35-4229	21-7/16 in.	5-1/16 in.
	MI35-4432	22-7/16 in.	8-1/16 in.
	MI35-4832	24-7/16 in.	8-1/16 in.

Table 1 Mantel Leg or Wall Projection Minimum Dimension needed when Installing a Standard Surround

Unit Size	Front Model	A	B
25 in.	INFIT	14-5/16 in.	1-1/4 in.
	FA-TRI, TA-TRI, MFV-TRI, CSFI25	16-1/16 in.	2-1/2 in.
30 in.	INFIT	16-13/16 in.	1-1/4 in.
	FA-TRI, TA-TRI, MFV-TRI, CSFI30	18-9/16 in.	2-1/2 in.
35 in.	INFIT	19-5/16 in.	1-1/4 in.
	FA-TRI, TA-TRI, MFV-TRI, CSFI35	21-1/16 in.	2-1/2 in.

Table 2 Mantel Leg or Wall Projection Minimum Dimension needed when Installing a Custom Surround. Front Model Determines the Minimum Size of the Custom Surround

**Note:** All numbers in Tables 1 and 2 include the 1/4 in. gap on surround edge.

## Mantels - Combustible

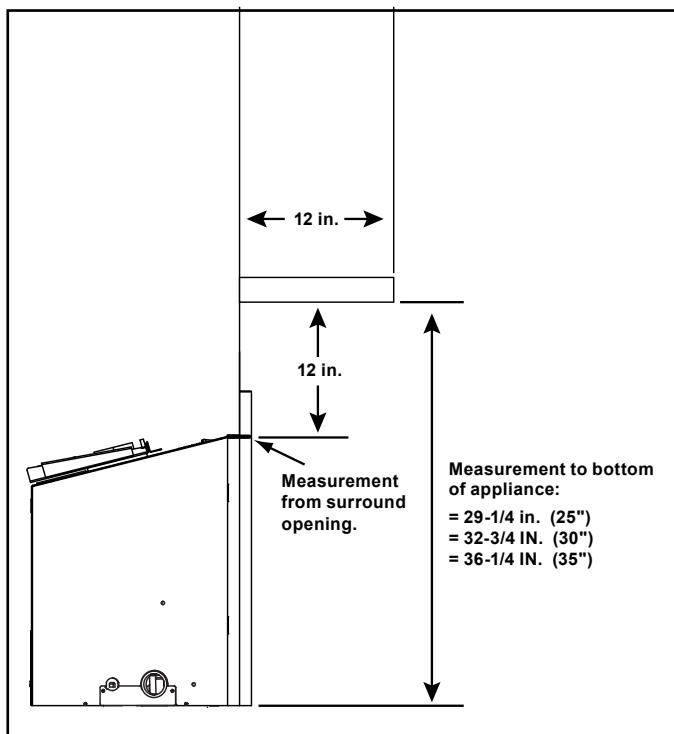


Figure 3.17 Minimum Vertical and Maximum Horizontal Dimensions - Combustible

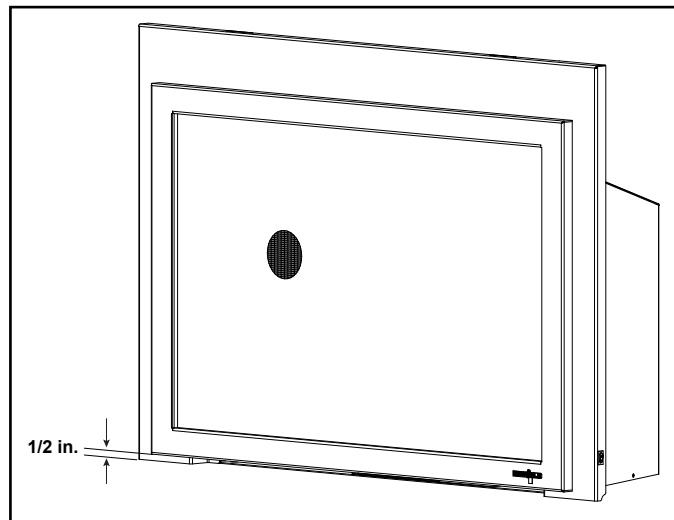


Figure 3.18 Minimum Required 1/2 in. Gap to Bottom of Front

- All flooring and hearth material must remain below the bottom of the surround. See Figure 3.19.
- Combustible flooring may be located in front of the appliance. See Figure 3.20 for vinyl flooring recommendations.
- 1/2 inch gap under the bottom of the front must be maintained. See Figure 3.18.
- A minimum 1/4 inch gap from the bottom of the appliance to the metal floor of the solid fuel firebox is **REQUIRED**. See side view in Figure 3.21.
- Combustible flooring underneath the appliance is acceptable with a 1/4 inch gap. See Figure 3.21.

## E. Hearth Extension / Vinyl Flooring

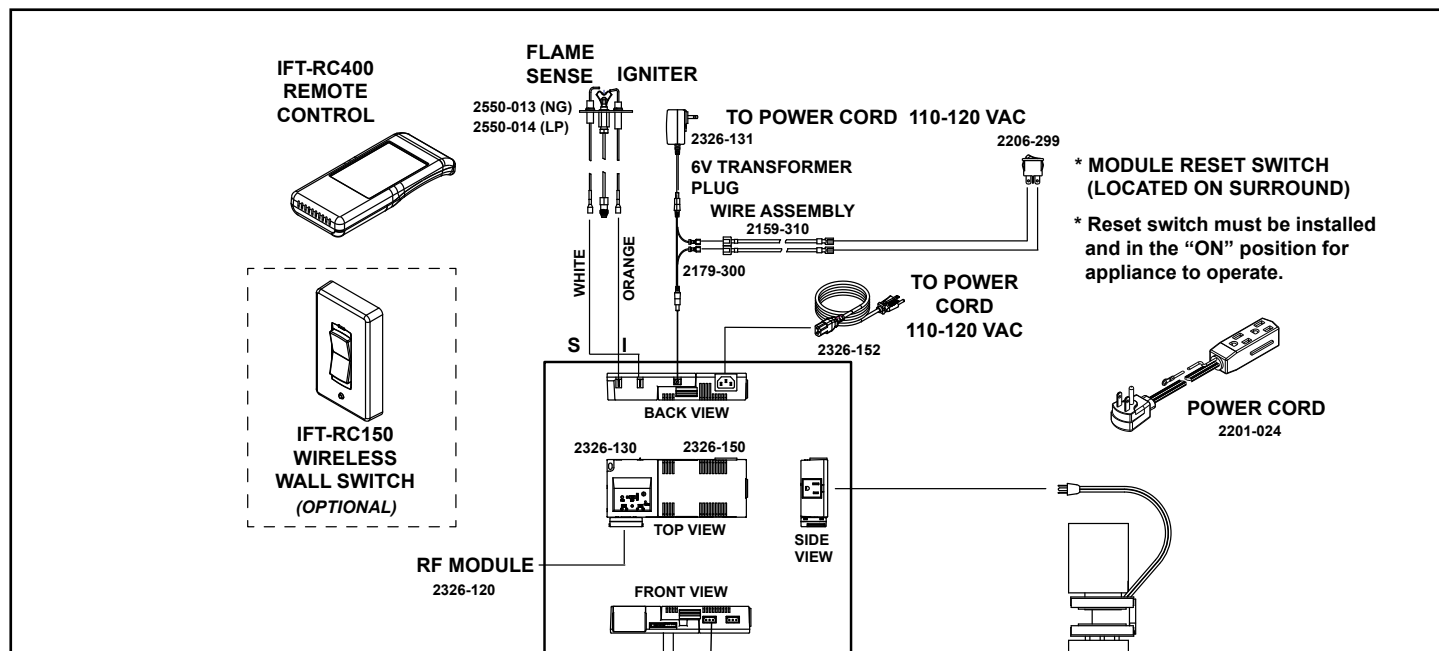


Figure 3.19 Flooring & Hearth Material

## Vinyl Flooring

Vinyl flooring is sensitive to heat. To avoid damage to the vinyl flooring, a 12 inch minimum x 12 inch minimum hearth is recommended when using vinyl flooring up to the wall. See Figure 3.20. If no hearth is used, it is recommended to provide a minimum of 24 inches of clearance in front of the appliance to the vinyl flooring OR the bottom of the appliance should be raised a minimum of 24 inches off of the floor to allow the vinyl flooring to be installed up to the wall.

**NOTICE:** Clearances that do not meet the minimum guidelines could result in damage or buckling to the vinyl flooring and is done at the installer's risk.

Hearth and Home Technologies does not recommend adhesive based vinyl flooring products due to thermal expansion during operation. Floating style flooring can be used, but it will reach temperatures up to 110 °F (based on ambient temperature of 70 °F). Consult the manufacturer's flooring specifications to ensure compatibility.

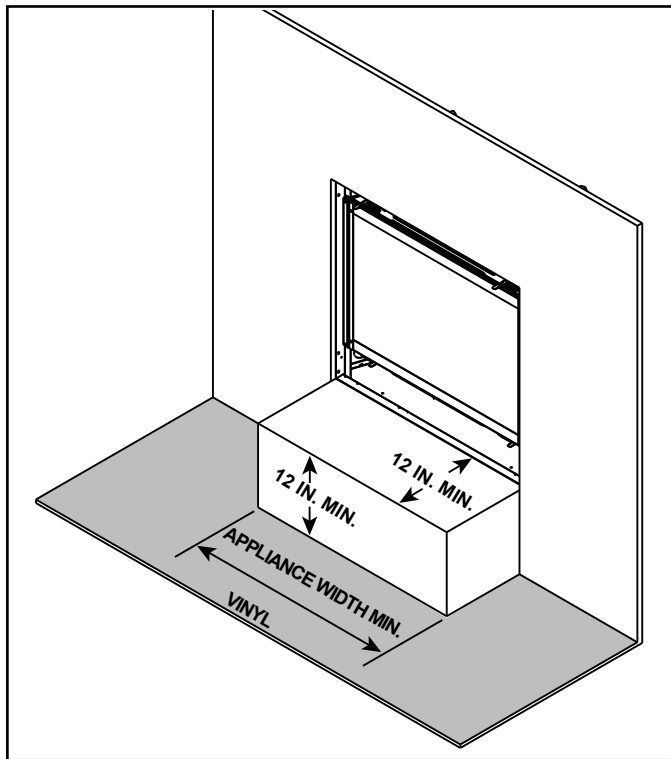


Figure 3.20 Vinyl Flooring Recommendations

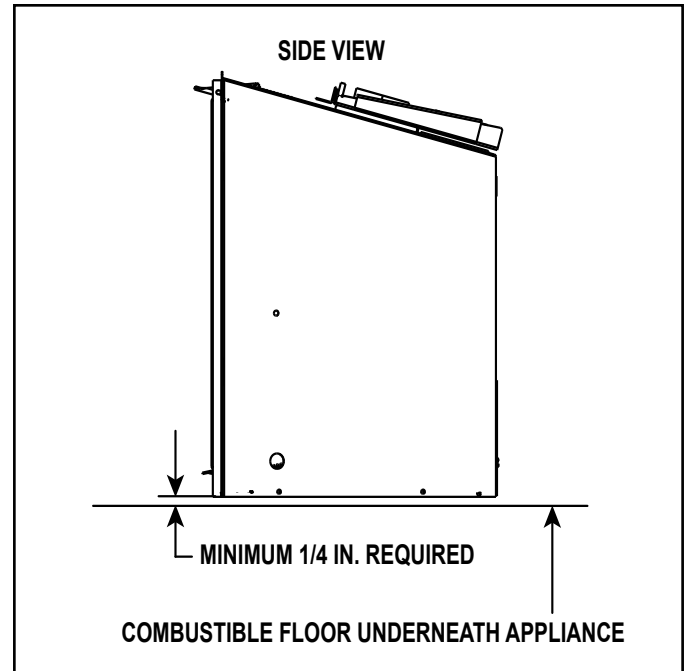


Figure 3.21 Solid Fuel Floor Clearance

# 4 Installation Preparation

Prepare the existing solid fuel masonry or factory built non-combustible firebox for installation.

## A. Cleaning

Prior to installing the gas insert:

- Ensure that the woodburning fireplace cavity is clean and free of ash, soot, and other debris.

## B. Flue Damper

Fully lock the solid fuel fireplace's flue damper in the open position, OR completely remove it.

## C. Gas Line

**Note:** If the factory-built fireplace has no gas access hole provided, an access hole of 1 inch (25 mm) diameter or less may be drilled through the lower sides or bottom of the firebox in a proper workmanship - like manner. This access hole must be plugged with non-combustible insulation after the gas supply line has been installed.

- If the gas access hole of the factory-built fireplace is not accessible or prohibits the installation due to its location, an access hole may be drilled through the lower side, back or bottom of firebox.
- The lower sides, back, or bottom is considered the lower half of the factory-built firebox.
- Install gas line to the factory provided flex line. See Figure 4.1.
- Check local codes and gas line sizing requirements following NFPA54. See Section 7.
- It is recommended that extra length of gas line be installed within the existing wood burner or masonry fireplace to allow removal of the insert for future servicing needs.



Figure 4.1

## D. Fireplace Conversion Notice

The fireplace conversion notice is included in the appliance manual bag. Permanently attach the label with the following warning to the inside lower back of the fireplace firebox into which the insert is being installed. Silicone or mechanical fasteners may be required to properly secure the label.

**WARNING! Risk of Fire!** This fireplace has been converted for use with a gas fireplace insert only and cannot be used for burning wood or solid fuels unless all original parts have been replaced, and the fireplace re-approved by the authority having jurisdiction.

## E. Electrical Outlet Box

An outlet box may be installed in a bottom back corner of the existing solid fuel masonry or factory-built fireplace to power the appliance. Each unit ships standard with a cord assembly to permit blowers or other optional accessories to be used. The accessories plug into the new outlet box or may be routed out onto the hearth to a nearby outlet.

**NOTICE: DO NOT** wire 110-120 VAC to wall switch.

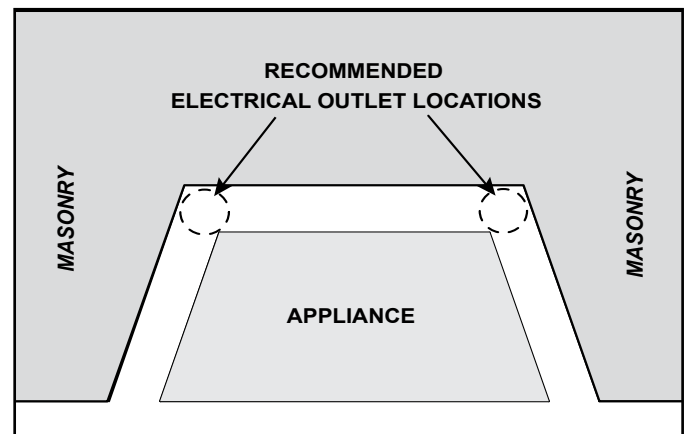


Figure 4.2 Electrical Outlet Detail

## Appliance Cord Length (approximate)

Appliance Size	Left Side	Right Side
25 in.	10 ft. 6 in.	8 ft.
30 in.	10 ft. 3 in.	7 ft. 6 in.
35 in.	10 ft.	7 ft.

# 5 Installing Vent Pipe and Appliance

## A. Vent Limits

The abbreviations listed in this vent table key are used in the vent diagrams.

Description
Minimum Vertical Run Length 10 ft.
Maximum Vertical Run Length 50 ft.

**WARNING! Risk of Fire/Explosion/Asphyxiation! Do NOT connect this gas appliance to a chimney flue serving a separate solid fuel or gas burning appliance.**

- Could impair safe operation of this appliance or other appliances connected to the flue.
- Vent this appliance directly outside.
- Use separate vent system for this appliance.

**CAUTION! ALL vent specifications MUST be followed.** This product is tested and listed to these specifications. Appliance performance will suffer if specifications are not followed.

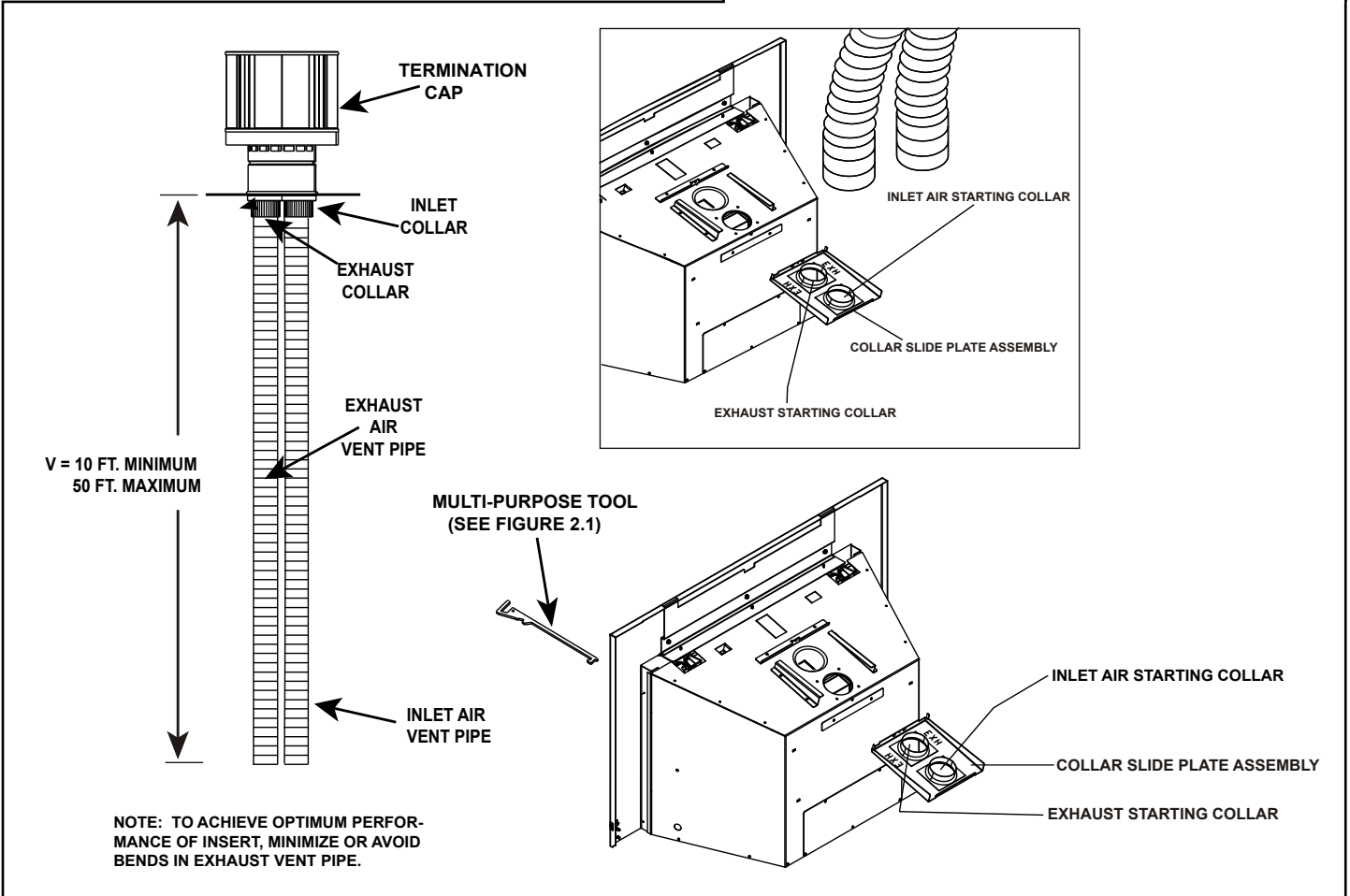
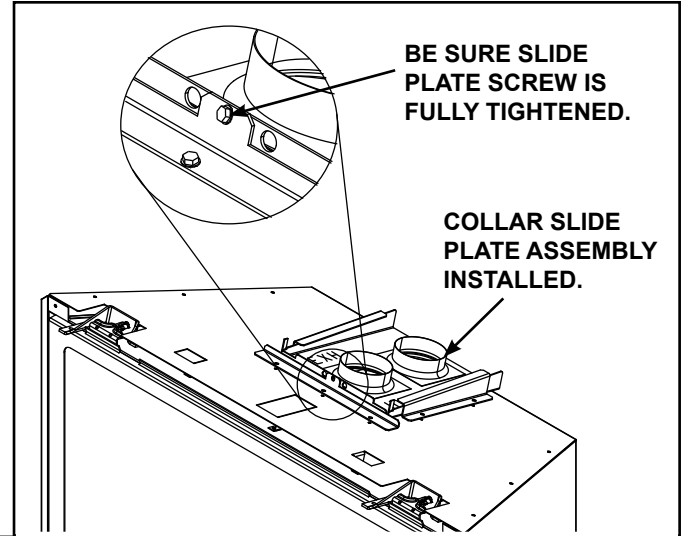


Figure 5.1

## B. Using Vertical Restrictor

When 20-25+ feet of vertical venting is used, vertical restrictors will need to be adjusted. See Figure 5.2 and 5.3.

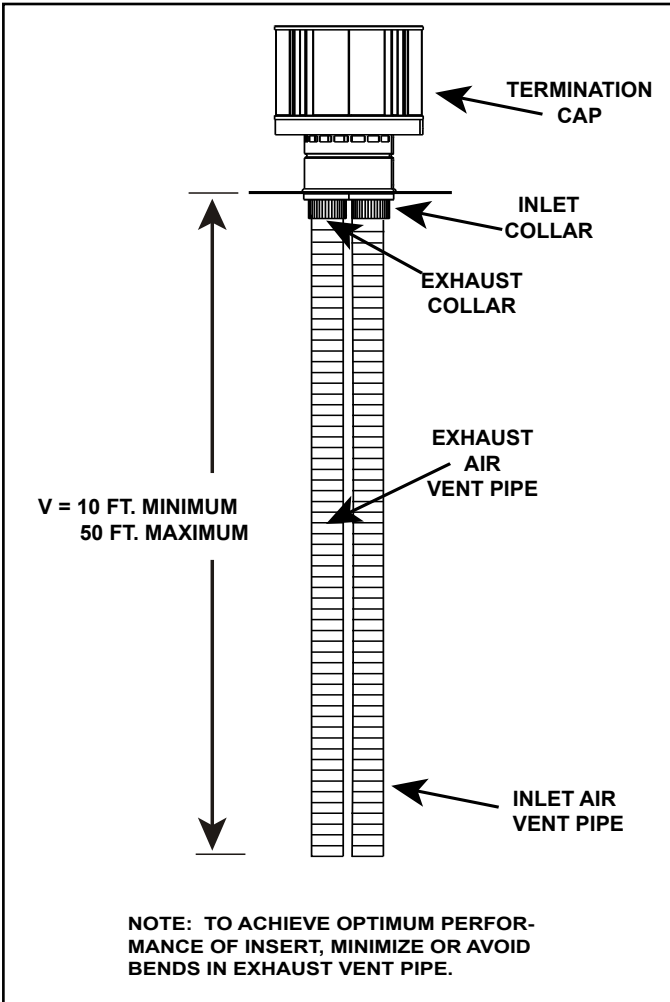


Figure 5.2 Min. / Max. Venting Requirement

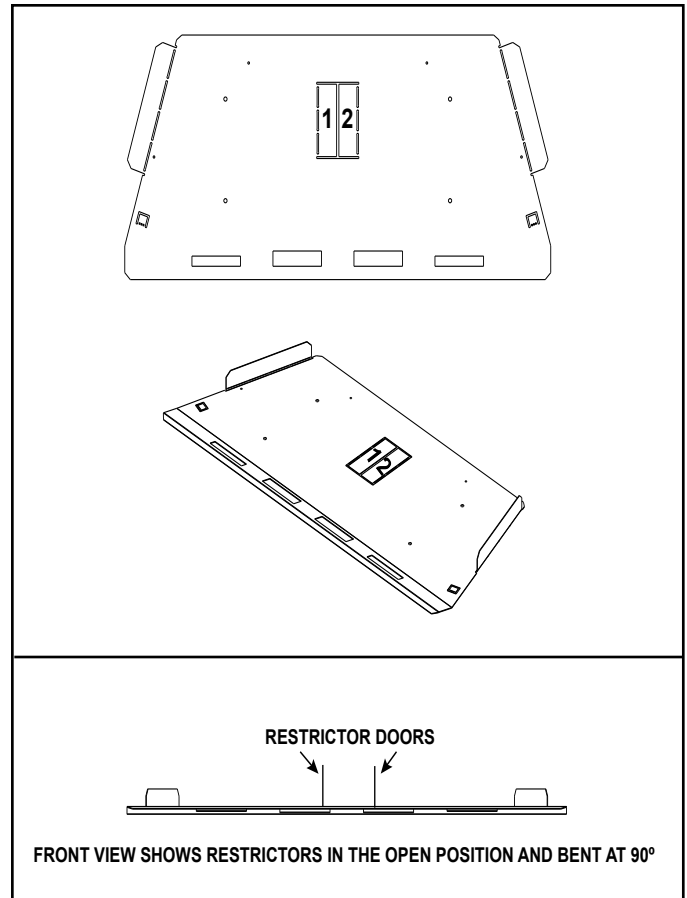


Figure 5.3 Firebox Baffle

To open restrictors, push the restrictor doors upward. The restrictor doors should be bent at a 90°. See Figure 5.3.

Opening restrictors will help reduce cold start or sooting issues (cycling).

### Appliance - 25 in. & 30 in.

V=	10 ft. - 25 ft.	No adjustment needs to be done.
	26 ft. - 35 ft.	Open 1 restrictor opening.
	36 ft. - 50 ft.	Open both restrictor openings.

### Appliance - 35 in.

V=	10 ft. - 20 ft.	No adjustment needs to be done.
	21 ft. - 35 ft.	Open 1 restrictor opening.
	36 ft. - 50 ft.	Open both restrictor openings.

## C. Venting Components

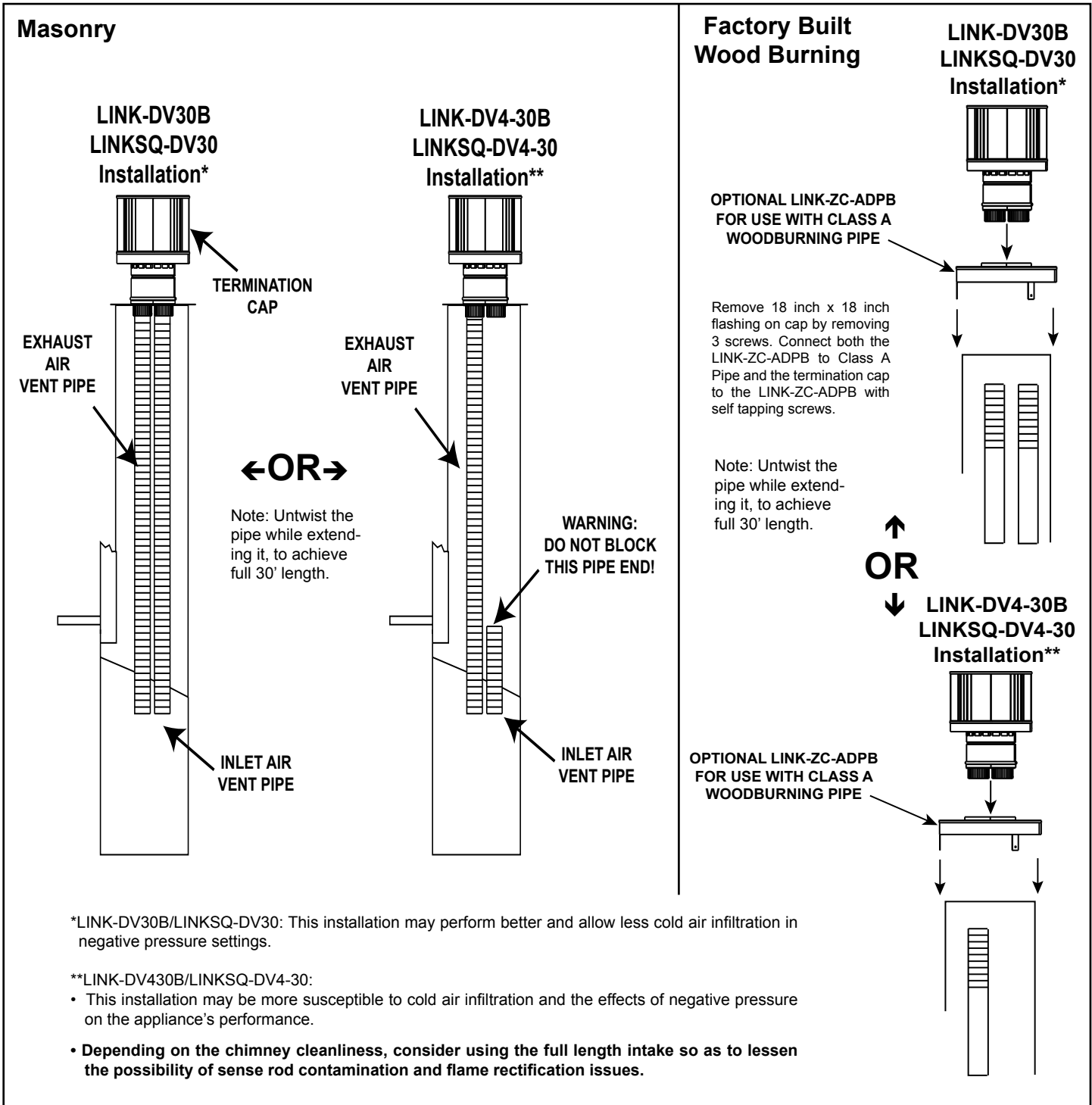
**CAUTION! Risk of Cuts/Abrasions/Flying Debris.**  
Wear protective gloves and safety glasses during installation. Sheet metal edges are sharp.

The vertical vent termination system installed on this model includes:

- One length of 3-inch flexible vent pipe for exhaust air (included with vent kit).
- One length of 3-inch flexible vent pipe for combustion air (included with vent kit).
- One vertical termination cap (included with vent kit).

To prevent odors and cold air drafts, it may be necessary to place non-combustible insulation or field fabricated metal plates around the vent pipe flues as they go through the damper.

**Note:** The LINK-DV4-30B and LINKSQ-DV4-30 systems REQUIRE this insulation.



\*LINK-DV30B/LINKSQ-DV30: This installation may perform better and allow less cold air infiltration in negative pressure settings.

\*\*LINK-DV430B/LINKSQ-DV4-30:

- This installation may be more susceptible to cold air infiltration and the effects of negative pressure on the appliance's performance.
- Depending on the chimney cleanliness, consider using the full length intake so as to lessen the possibility of sense rod contamination and flame rectification issues.

Figure 5.4



## D. Connecting to SLP

### Terminating horizontally is not allowed.

Vertical terminations are measured to top of chimney.

This appliance is listed for use with LINK-DV systems and components only. It is permissible to extend venting above existing chimney (within specified maximum vertical limits) using SLP series 6-5/8 inch gas direct-vent pipe. Connection is made using DV-46DVA-GK.

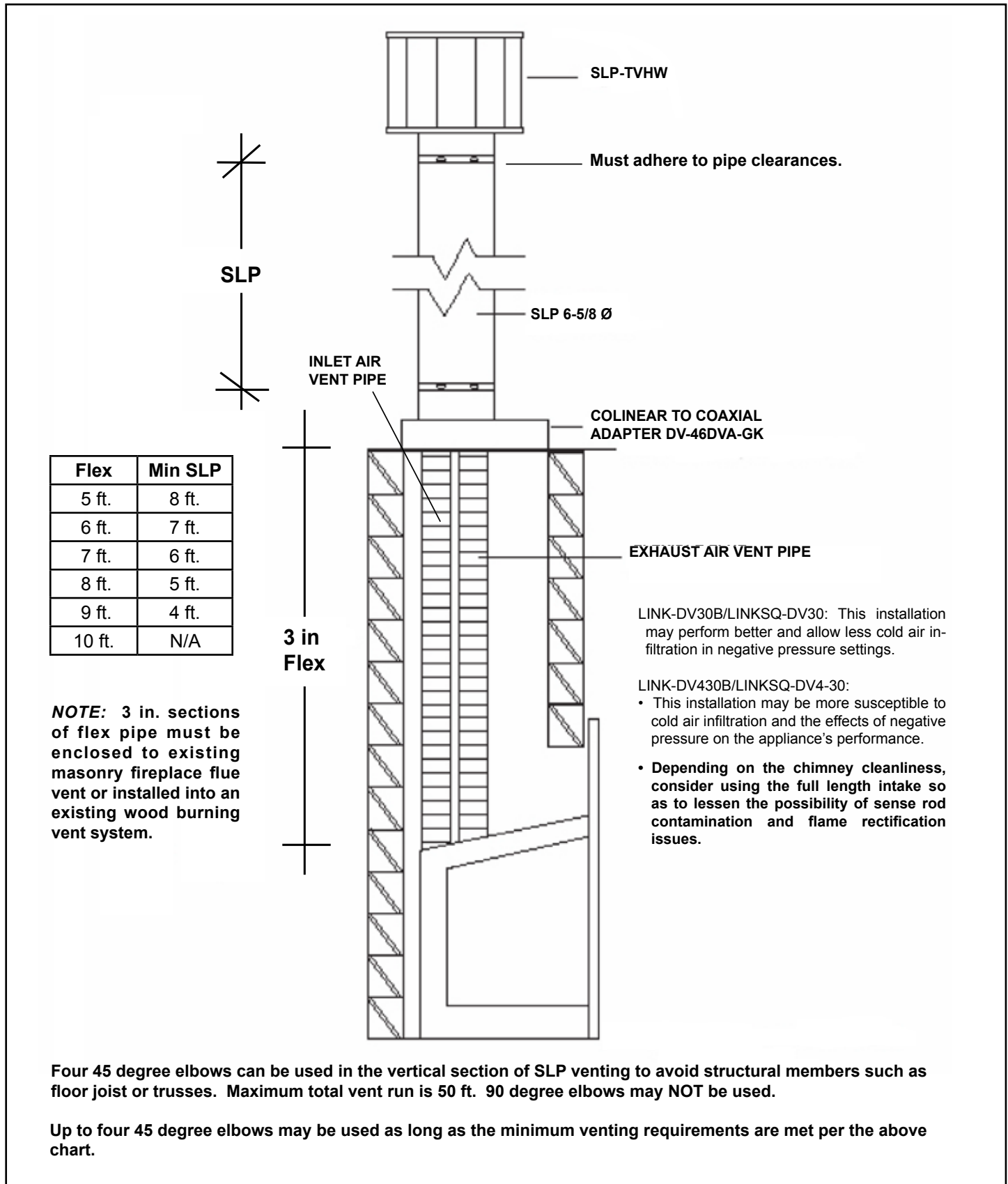


Figure 5.5 Optional SLP Venting Configuration - Vertical Termination

## E. Connecting Vent Pipe

Reference instructions in the termination kit.

- Install the 3 in. flexible vent pipe(s) down through the chimney.
- Secure the exhaust flexible vent pipe to the exhaust starting collar on top of the appliance with three screws. See Figure 5.1.

For best results in cold climate be sure 3 in. flex is flush and tight to the collar slide plate assembly. Seal with stove cement or aluminum foil tape. Do not use silicone.

- Use 3 screws to attach the section of inlet air vent to the inlet air starting collar on the collar slide plate assembly. See Figure 5.1. NOTE: The collar slide plate assembly may be removed from appliance to aid installation and service.

For best results in cold climate be sure 3 in. flex is flush and tight to the collar slide plate assembly. Seal with stove cement or aluminum foil tape. Do not use silicone.

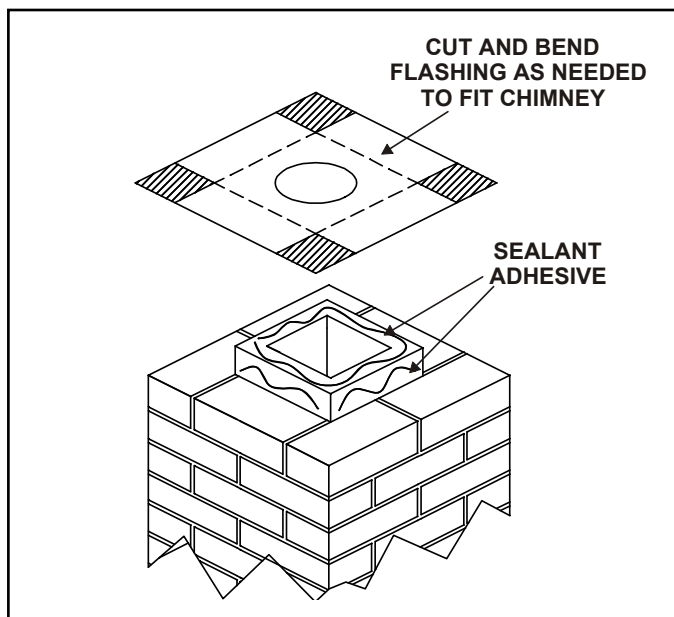


Figure 5.6

- Trim chimney top plate to minimize excess overhang or bend over flue tile. See Figure 5.6.
- Place 3/8 inch bead of **300 °F minimum continuous exposure rating** silicone on flue tile top.

## F. Placing, Securing and Leveling the Appliance

**WARNING! Risk of Explosion/Combustion Fumes!** Connect vent sections per installation instructions.

- Connect exhaust vent pipe **ONLY** to exhaust starting collar and termination cap center collar.
- Connect inlet air vent **ONLY** to inlet air collar on appliance and either the termination cap inlet air collar **OR** terminate within chimney.
- **DO NOT** allow vent to sag below connection point to appliance.
- Install insert (without surround attached) into existing fireplace while pulling collar slide plate assembly forward.
- Install gas line into hole provided on side. See Figure 5.7.
- Secure collar slide plate assembly to appliance by securing with #8 screw. See Figure 5.1.
- Level the appliance from side to side and front to back. Adjust leveling legs to desired vertical position so appliance is level. Use the leveling bolts included with the manual bag.
- Position any excess flexible vent pipe back up into chimney without sagging. Twist and push flex vent together to shorten.
- Attach surround. Follow instructions for surround installation included with the front.
- Push insert into the opening so that it tightly overlaps the fireplace opening.

**WARNING! Risk of Fire!** Only an approved Hearth & Home Technologies surround may be used to cover integral grills on solid fuel burning fireplaces. No other components such as shrouds, sheetmetal plates, etc., may be used to seal off vents.

**WARNING! Risk of Explosion!** Failure to position the parts in accordance with these diagrams or failure to use only parts specifically approved with this appliance may result in property damage or personal injury.

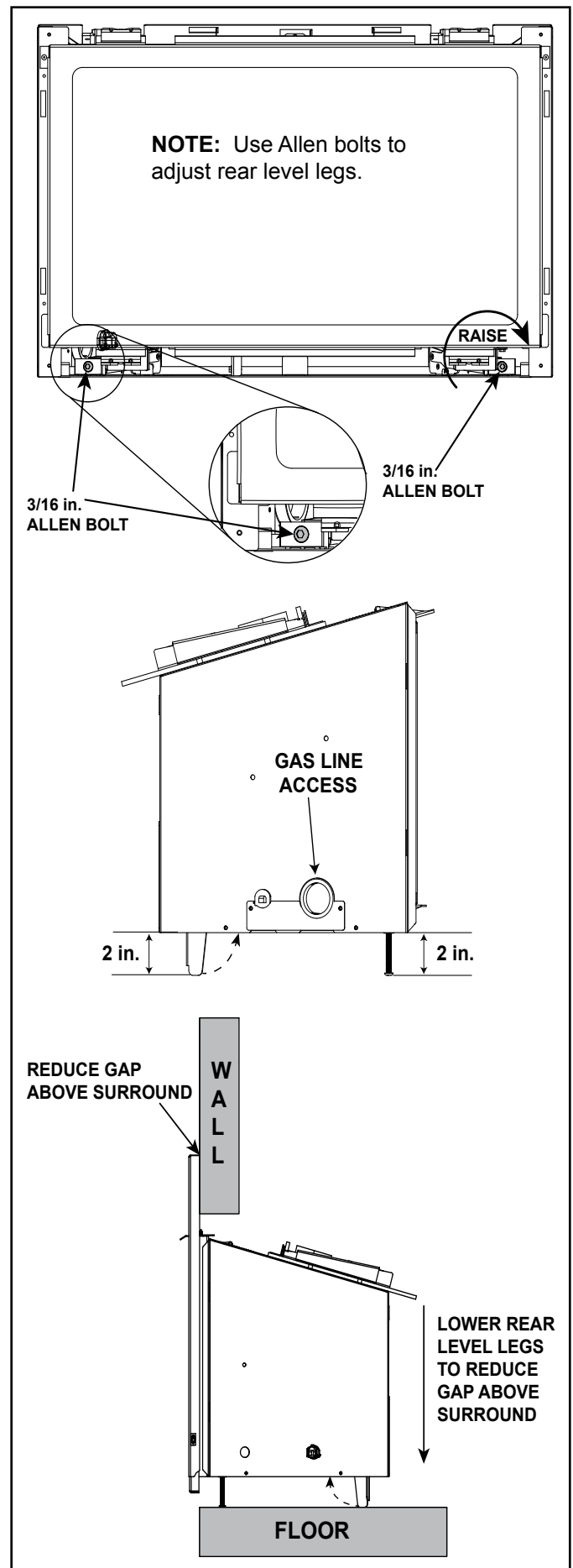


Figure 5.7 Leveling Leg Detail

## G. Installing Termination Cap

**WARNING**

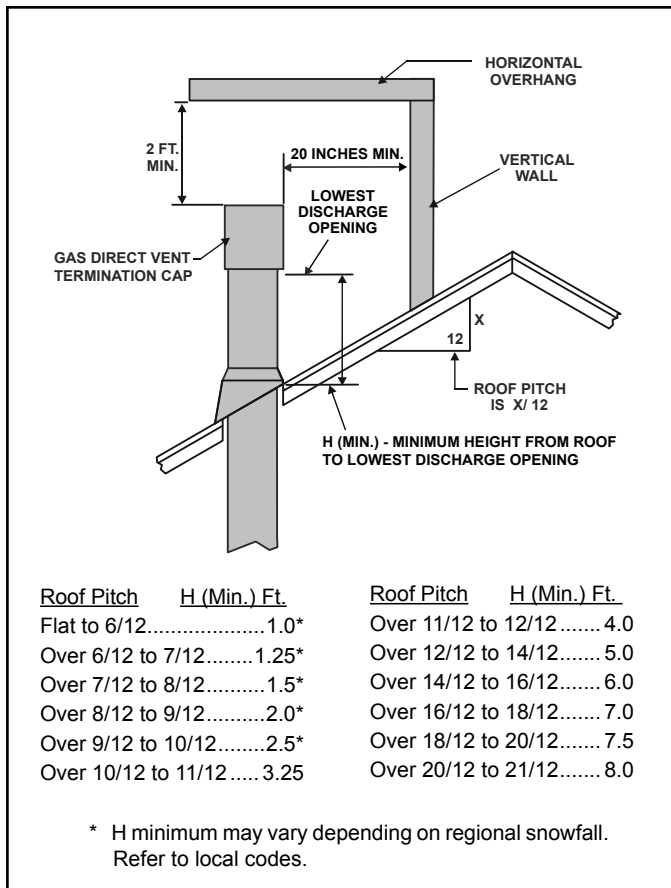
Fire Risk.  
Maintain vent clearance to combustibles as specified.

- **DO NOT** pack air space with insulation or other materials.

Failure to keep insulation or other materials away from vent pipe may cause overheating and fire.

**CAUTION! Risk of Cuts/Abrasions/Flying Debris.**  
Wear protective gloves and safety glasses during installation. Sheet metal edges are sharp.

For installation of termination cap see minimum vent heights for various pitched roofs. See Figure 5.8.



**Figure 5.8 Minimum Height from Roof to Lowest Discharge Opening**

# 6 Electrical Information

## A. General Information

**WARNING! Risk of Shock or Explosion! DO NOT** wire 110-120 VAC to the valve or to the appliance wall switch. Incorrect wiring will damage controls.

**NOTICE:** This appliance must be electrically wired and grounded in accordance with local codes or, in the absence of local codes, with **National Electric Code ANSI/NFPA 70-latest edition** or the **Canadian Electric Code CSA C22.1**.

- This appliance comes with a 110-120 VAC cord assembly. This is required for proper operation of the appliance (IntelliFire Touch® Ignition). An outlet box may be installed in a bottom back corner of the existing solid fuel masonry or factory built fireplace to plug in the cord assembly, or the supplied power cord may be routed out onto the hearth to a nearby outlet.
- A 110-120 VAC circuit for this product must be protected with ground-fault circuit-interrupter protection, in compliance with the applicable electrical codes, when it is installed in locations such as in bathrooms or near sinks.
- Low voltage and 110-120 VAC voltage cannot be shared within the same wall box.
- In some instances, the spark ignition of the fireplace may cause intermittent, non-damaging, interference during the lighting sequence with a TV plugged into the same circuit. It is recommended that the fireplace and TV use different circuits to mitigate the interference potential. If interference is occurring on the same circuit, the use of surge protectors may help alleviate the interference.

**NOTICE: DO NOT** wire 110-120 VAC to wall switch.

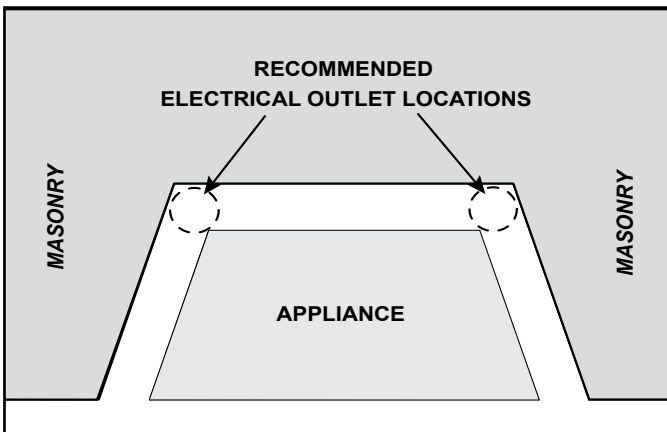


Figure 6.1 Electrical Outlet Detail

## Appliance Cord Length (approximate)

Appliance Size	Left Side	Right Side
25 in.	10 ft. 6 in.	8 ft.
30 in.	10 ft. 3 in.	7 ft. 6 in.
35 in.	10 ft.	7 ft.

## Electrical Service and Repair

**WARNING! Risk of Shock!** Label all wires prior to disconnection when servicing controls. Wiring errors can cause improper and dangerous operation. Verify proper operation after servicing.

**WARNING! Risk of Shock!** Replace damaged wire with type 105 °C rated wire. Wire must have high temperature insulation.

- Refer to Service Parts section of appliance Owner's Manual for replacement part information.

## Reset Switch

- A reset switch is included with the appliance surround and should be attached to the side of the surround. See Installation instructions shipped with the appliance front.
- Reset switch must be installed and in the "ON" position for appliance to operate.

## B. Wiring Requirements

### IntelliFire Touch® Ignition System Wiring

**WARNING! Risk of Shock or Explosion! DO NOT wire IPI controlled appliance power cord to a switched circuit. Incorrect wiring will override IPI safety lockout.**

- Refer to Figure 6.2, IntelliFire Touch (IPI) Wiring Diagram.
- This appliance is equipped with an IntelliFire control valve which operates on a 6 volt system.
- Ensure the 6 volt transformer is plugged into the supplied cord assembly to supply power to the unit OR install 4 AA cell batteries (not included) into the battery pack before use.
- Reset switch must be installed and in the “ON” position for appliance to operate.

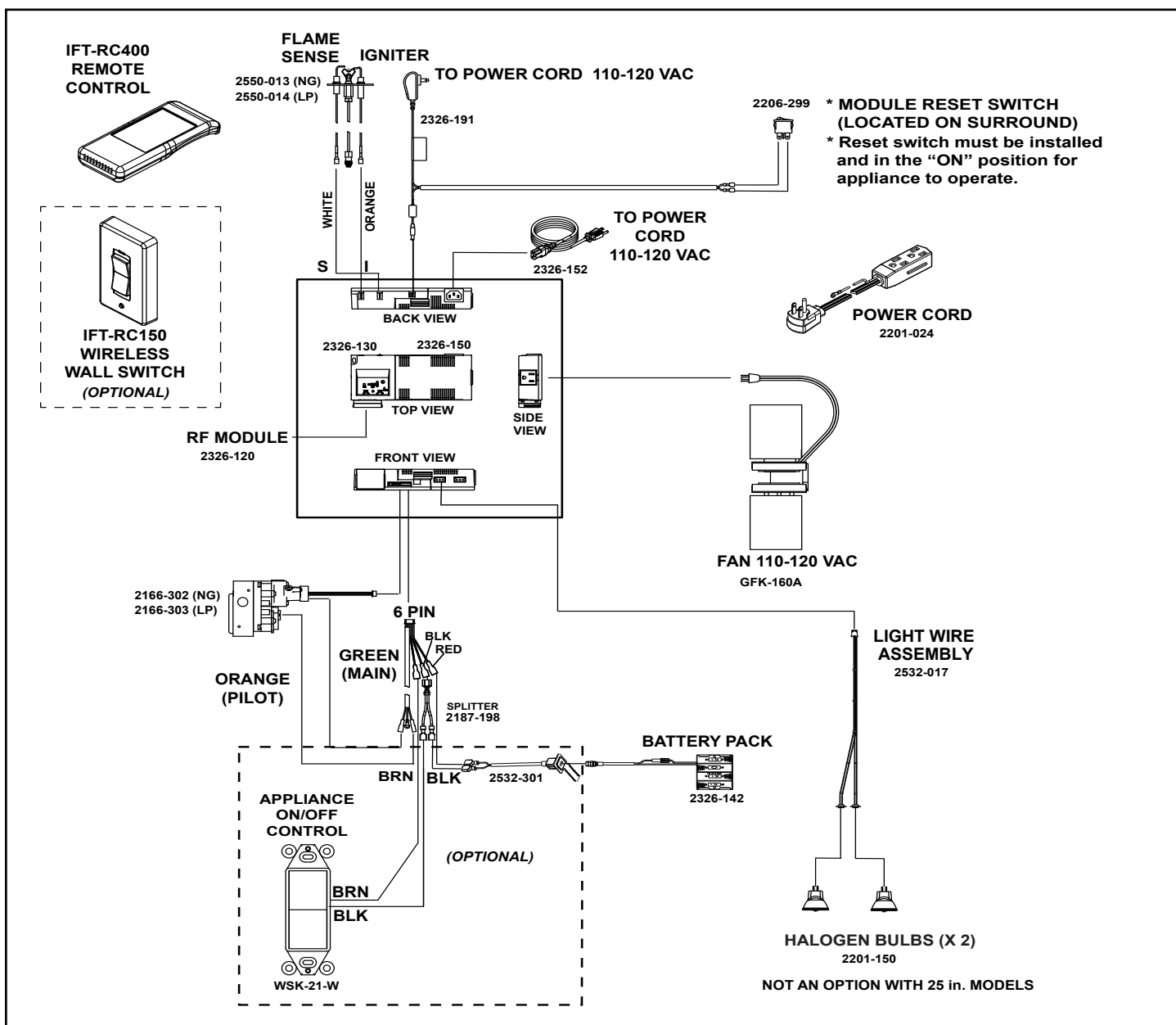


Figure 6.2 IntelliFire Touch Wiring Diagram

## Battery Pack

Battery pack is not factory installed in appliances. See appliance manual bag for battery pack. Battery pack may be installed without batteries during normal operation. See Figure 6.3 for battery pack location.

When operating appliance under battery power, battery pack **MUST** be moved outside of the appliance.

**NOTICE:** Batteries should only be used as a power source in the event of an emergency power outage. Batteries should not be used as a primary long-term power source. Battery polarity must be correct when installing batteries.

DO not store batteries in the battery pack when the appliance is powered by the 6 volt transformer connected to permanent electrical service. Store battery pack in appliance manual bag when not in use.



Figure 6.3 Battery Pack Installed

## C. Installation / Service for Fan

On units already installed, removal of decorative barrier front and gas insert may be required.

### Option 1:

- Detach flexible liner from top of unit if insert is installed by removing the collar slide plate screw. See Figure 5.1.
- Remove the five screws on the rear cover plate. See Figure 6.4.
- Service / replace fan. Figure 6.2 shows a wiring diagram.
- Reinstall the rear cover plate back on the unit.
- Reattach flexible liner and replace collar slide plate screw. See Figure 5.1.

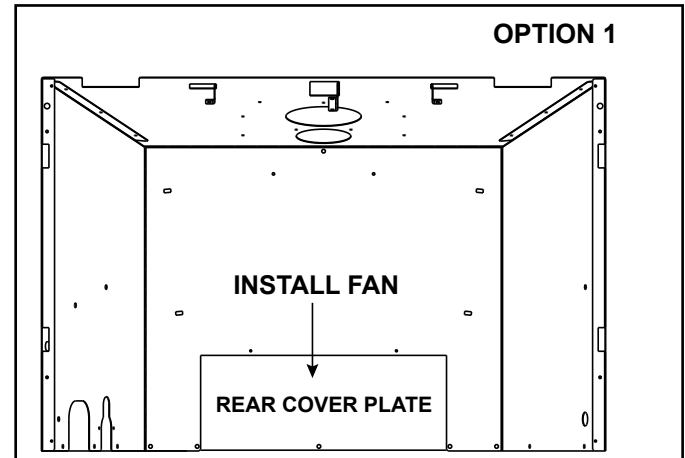


Figure 6.4 Cover Plate Removed (Option 1)

### Option 2:

- Remove appliance front, glass, logs, base pan assembly, burner assembly and valve plate assembly. See Figure 6.5.
- Service / install fan. Figure 6.2 shows a wiring diagram.
- Reinstall valve plate assembly, burner assembly, base pan assembly, logs and appliance glass and front.

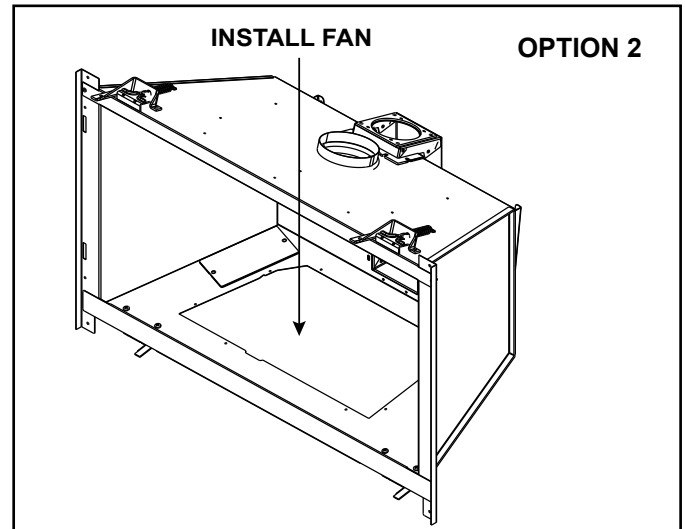


Figure 6.5 Through Valve Plate Opening (Option 2)

## D. Installation / Service for Halogens

On units already installed, removal of decorative barrier front and gas insert may be required.

### Option 1:

- Detach flexible liner from top of unit if insert is installed by removing the collar slide plate screw. See Figure 5.1.
- Remove the five screws on the rear cover plate. See Figure 6.6.
- Service / replace halogens. Figure 6.2 shows a wiring diagram.
- Reinstall the rear cover plate back on the unit.
- Reattach flexible liner and replace collar slide plate screw. See Figure 5.1.

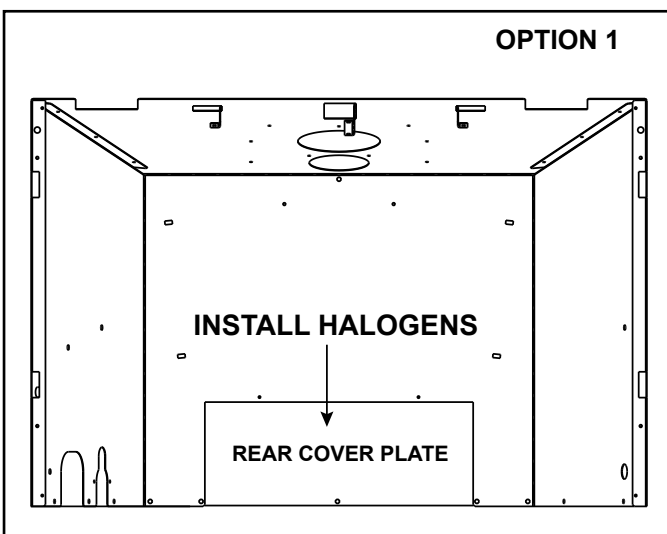


Figure 6.6 Cover Plate Removal (Option 1)

### Option 2:

- Remove appliance front, glass, logs, base pan assembly, burner assembly and valve plate assembly. See Figure 6.7.
- Service / replace halogens. Figure 6.2 shows a wiring diagram.
- Reinstall valve plate assembly, burner assembly, base pan assembly, logs and appliance glass and front.

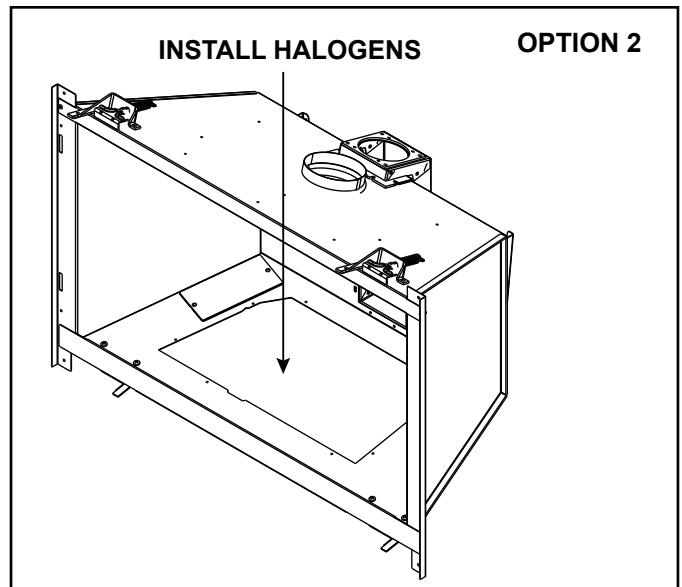


Figure 6.7 Through Valve Plate Opening (Option 2)



# 7 Gas Information

## A. Fuel Conversion

- Make sure the appliance is compatible with available gas types.
- Conversions must be made by a qualified service technician using Hearth & Home Technologies specified and approved parts.
- Reference the following diagrams for gas shut off detail and component access.
- Reference Section 9.A to remove fixed glass assembly.

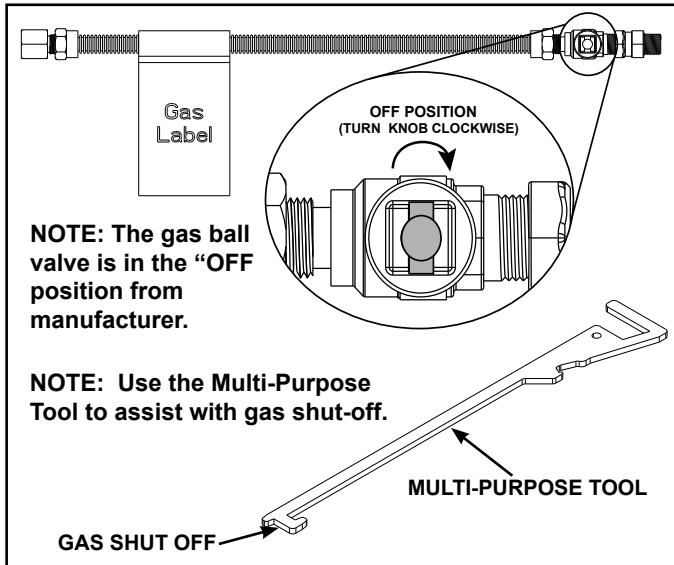


Figure 7.1 Gas Shut-off

- Use multi-purpose tool to assist with gas shutoff. See Figure 7.1. The gas ball valve is in the “OFF” position from manufacturer.
- Glass clip assemblies can be removed for additional component accessibility.

**NOTE:** Bottom right glass clip on 25 inch models must be removed to gain access to controls.

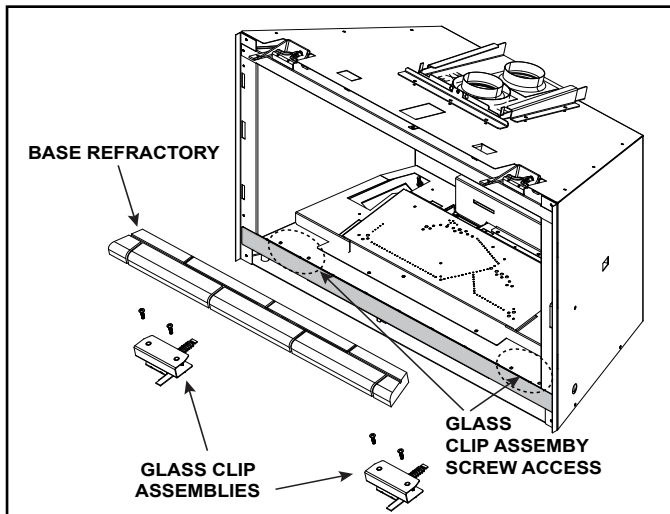


Figure 7.2 Glass Clip Assembly Removal

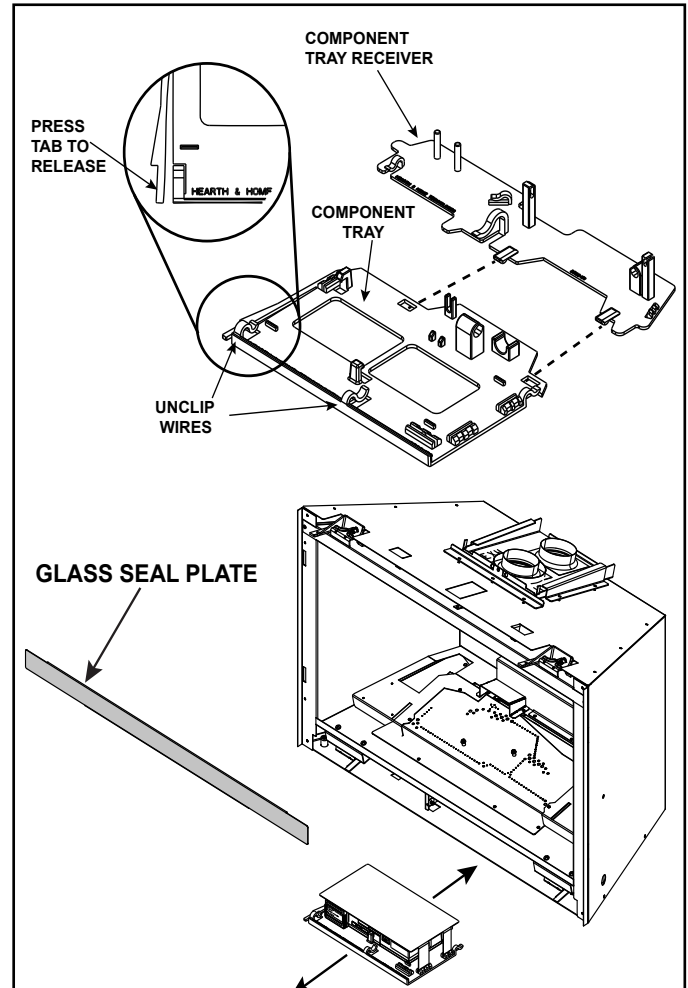


Figure 7.3 Component Tray

**WARNING!** Glass seal plate must be properly installed. Risk of elevated component temps and carbon monoxide exposure.

**CAUTION:** Be sure to reinstall the component heat shield before firing the appliance. Components will overheat without heat shield.

**CAUTION:** Any wires removed from the wire clips during appliance installation or service must be re-installed in the wire clips.



## B. Gas Pressure

- Optimum appliance performance requires proper input pressures.
- Gas line sizing requirements will be determined in ANSI Z223.1 National Fuel Gas Code in the USA and CAN/CGA B149 in Canada.
- Pressure requirements are:

Gas Pressure	Natural Gas	Propane
Minimum inlet pressure	5.0 in. w.c.	11.0 in. w.c.
Maximum inlet pressure	10.0 in. w.c.	13.0 in. w.c.
Manifold pressure	3.5 in. w.c.	10.0 in. w.c.

**WARNING! Risk of Fire or Explosion!** High pressure will damage valve. Low pressure may cause explosion.

- Verify inlet pressures. Verify minimum pressures when other household gas appliances are operating.
- Install regulator upstream of valve if line pressure is greater than 1/2 psig.

<b>▲ WARNING</b>	
	<p>Fire Risk. Explosion Hazard. High pressure will damage valve.</p> <ul style="list-style-type: none"> <li>• Disconnect gas supply piping BEFORE pressure testing gas line at test pressures above 1/2 psig.</li> <li>• Close the manual shutoff valve BEFORE pressure testing gas line at test pressures equal to or less than 1/2 psig.</li> </ul>
	

**Note:** Have the gas supply line installed in accordance with local codes, if any. If not, follow ANSI Z223.1. Installation should be done by a qualified installer approved and/or licensed as required by the locality. (In the Commonwealth of Massachusetts installation must be performed by a licensed plumber or gas fitter).

**Note:** A listed (and Commonwealth of Massachusetts approved) 1/2 in. (13 mm) T-handle manual shut-off valve and flexible gas connector are connected to the 1/2 in. (13 mm) control valve inlet.

- **If substituting for these components, please consult local codes for compliance.**

## C. Gas Connection

- Refer to Reference Section 3 for location of gas line access in appliance.
- The gap between supply piping and gas access hole may be caulked with caulk with a minimum of 300 °F continuous exposure rating or stuffed with non-combustible, unfaced insulation to prevent cold air infiltration.
- Ensure that gas line does not come in contact with outer wrap of the appliance. Follow local codes.
- Pipe incoming gas line to the factory supplied flex line. See Figure 7.4.
- Connect incoming gas line to the 1/2 in. (13 mm) connection on manual shutoff valve.

**WARNING! Risk of Fire or Explosion!** Support control when attaching pipe to prevent bending gas line.

- A small amount of air will be in the gas supply lines.

**WARNING! Risk of Fire or Explosion!** Gas build-up during line purge could ignite.

- Purge should be performed by qualified service technician.
- Ensure adequate ventilation.
- Ensure there are no ignition sources such as sparks or open flames.

Light the appliance. It will take a short time for air to purge from lines. When purging is complete the appliance will light and operate normally.

**WARNING! Risk of Fire, Explosion or Asphyxiation!** Check all fittings and connections with a non-corrosive commercially available leak-check solution. **DO NOT** use open flame. Fittings and connections could have loosened during shipping and handling.

**WARNING! Risk of Fire! DO NOT** change valve settings. This valve has been preset at the factory.



Figure 7.4

## D. High Altitude Installations

**NOTICE:** If the heating value of the gas has been reduced, these rules do not apply. Check with your local gas utility or authorities having jurisdiction.

When installing above 2000 feet elevation:

- In the USA: Reduce input rate 4% for each 1000 feet above 2000 feet.
- In CANADA: Input ratings are certified without a reduction of input rate for elevations up to 4500 feet (1370 m) above sea level. Please consult provincial and/or local authorities having jurisdiction for installations at elevations above 4500 feet (1370 m)

Check with your local gas utility to determine proper orifice size.

## E. Air Shutter Setting

Air shutter settings should be adjusted by a qualified service technician at the time of installation. The air shutter is set at the factory for minimum vertical vent run. Adjusting air shutter may be desired for longer vent runs. See Figure 7.5.

**NOTICE:** If sooting occurs, provide more air by opening the air shutter.

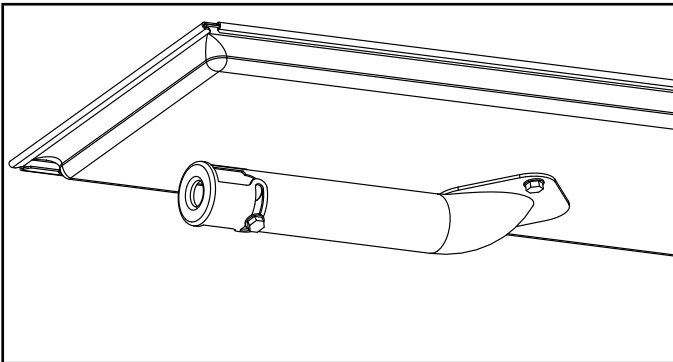


Figure 7.5 Air Shutter

### Air Shutter Settings

	NG	Propane
TRILLIANT25IN	3/16 in.	3/8 in.
TRILLIANT30IN	3/8 in.	Full Open
TRILLIANT35IN	3/8 in.	1/2 in.

## F. Service / Replace Appliance Gas Valve

- See Figure 7.6.
- Remove appliance front, glass, logs, base pan assembly, burner assembly and valve plate assembly. See Figure 7.6.
- Service/Replace gas valve.
- Reinstall valve plate assembly, burner assembly, base pan assembly, logs and appliance glass and front.

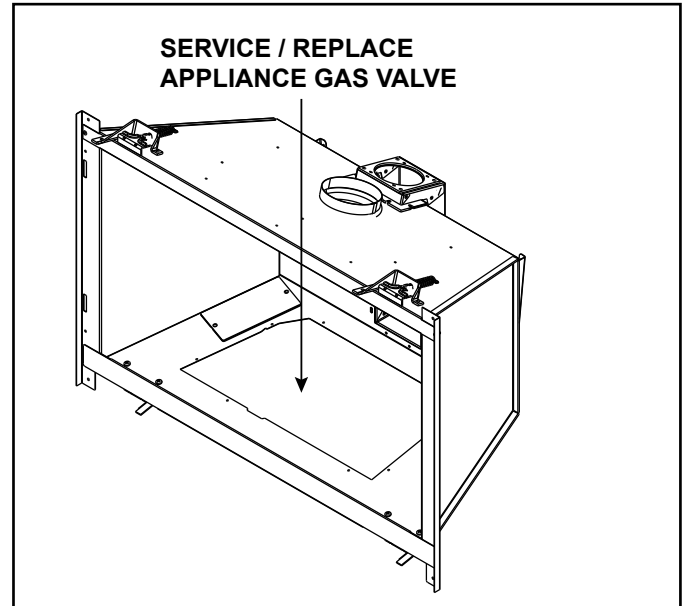


Figure 7.6 Gas Valve Detail

# 8 Finishing

## A. Mantel, Wall Projections & Hearth Extensions

**WARNING! Risk of Fire!** Comply with all minimum clearances to combustibles as specified. Framing or finishing material closer than the minimums listed must be constructed entirely of noncombustible materials (i.e., steel studs, concrete board, etc).

Clearance to combustible material under the insert is 1/4 inch (6 mm).

- Use leveling legs to raise insert minimum 1/4 inch (6 mm) above combustible material or outer wrap of factory built firebox.

Combustible facings must not extend behind the insert surround. For non-combustible material specifications refer to Section 1.E and 1.F.

### Mantel Legs or Wall Projections

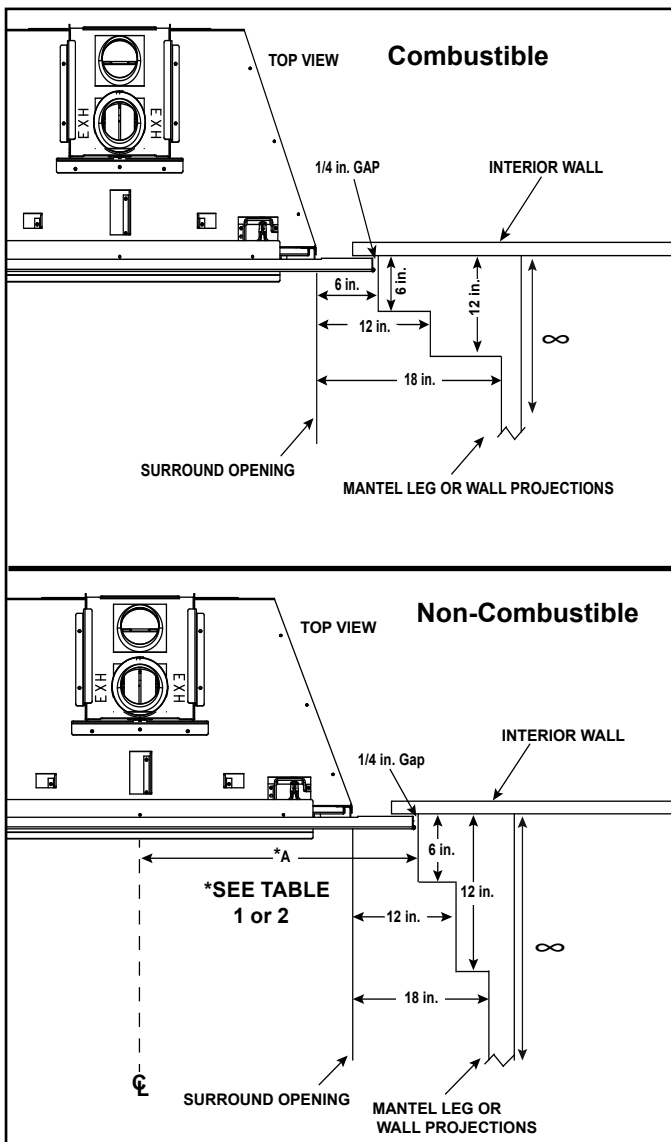
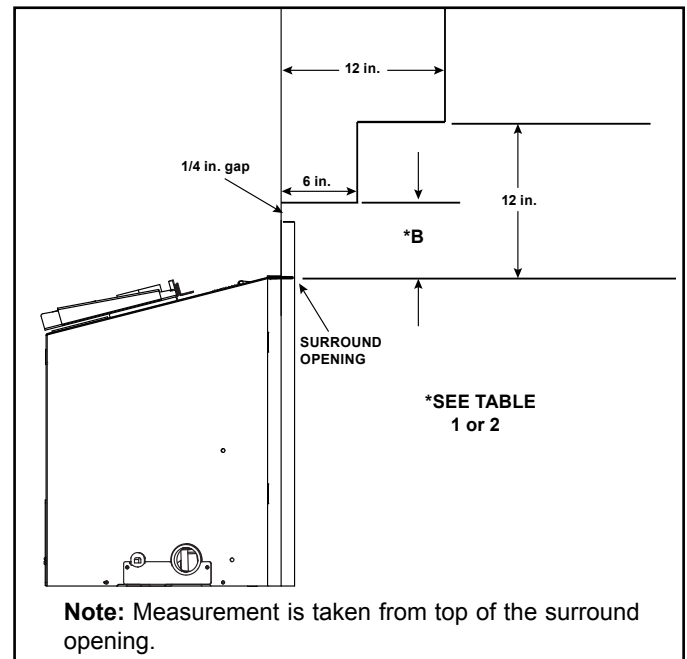


Figure 8.1 Clearances to Mantel Legs or Wall Projections (Acceptable on both sides of surround opening)

### Mantels or Wall Projections - Non-Combustible



Note: Measurement is taken from top of the surround opening.

Figure 8.2 Minimum Vertical and Maximum Horizontal Dimensions - Non-Combustible

Unit Size	Surround Model	A	B
25 in.	MI25-3523	17-15/16 in.	6-1/16 in.
	MI25-3726	18-15/16 in.	9-1/16 in.
	MI25-3928	19-15/16 in.	11-1/16 in.
30 in.	MI30-4027	20-7/16 in.	6-9/16 in.
	MI30-4230	21-7/16 in.	9-9/16 in.
	MI30-4432	22-7/16 in.	11-9/16 in.
35 in.	MI35-4229	21-7/16 in.	5-1/16 in.
	MI35-4432	22-7/16 in.	8-1/16 in.
	MI35-4832	24-7/16 in.	8-1/16 in.

Table 1 Mantel Leg or Wall Projection Minimum Dimension needed when Installing a Standard Surround

Unit Size	Front Model	A	B
25 in.	INFIT	14-5/16 in.	1-1/4 in.
	FA-TRI, TA-TRI, MFV-TRI, CSFI25	16-1/16 in.	2-1/2 in.
30 in.	INFIT	16-13/16 in.	1-1/4 in.
	FA-TRI, TA-TRI, MFV-TRI, CSFI30	18-9/16 in.	2-1/2 in.
35 in.	INFIT	19-5/16 in.	1-1/4 in.
	FA-TRI, TA-TRI, MFV-TRI, CSFI35	21-1/16 in.	2-1/2 in.

Table 2 Mantel Leg or Wall Projection Minimum Dimension needed when Installing a Custom Surround. Front Model Determines the Minimum Size of the Custom Surround  
Note: All numbers in Tables 1 and 2 include the 1/4 inch gap on surround edge.

## Mantels - Combustible

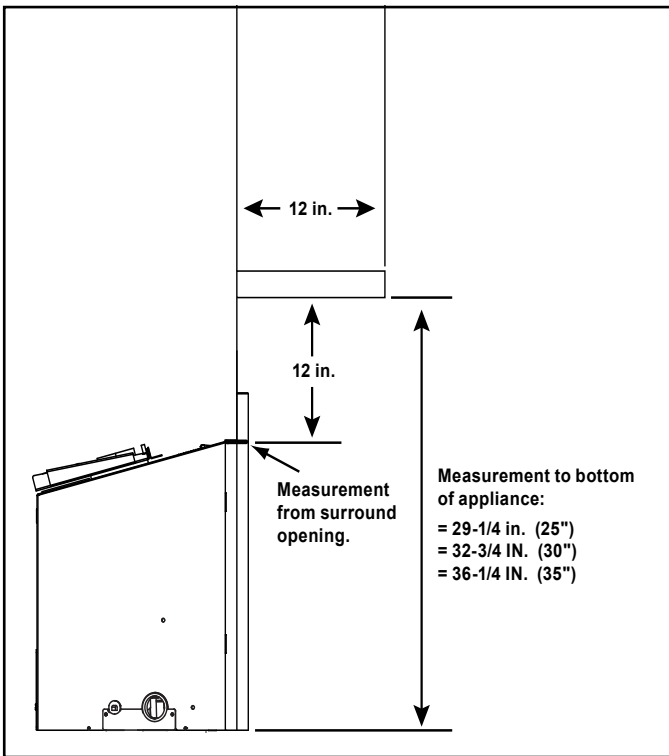


Figure 8.3 Minimum Vertical and Maximum Horizontal Dimensions - Combustible

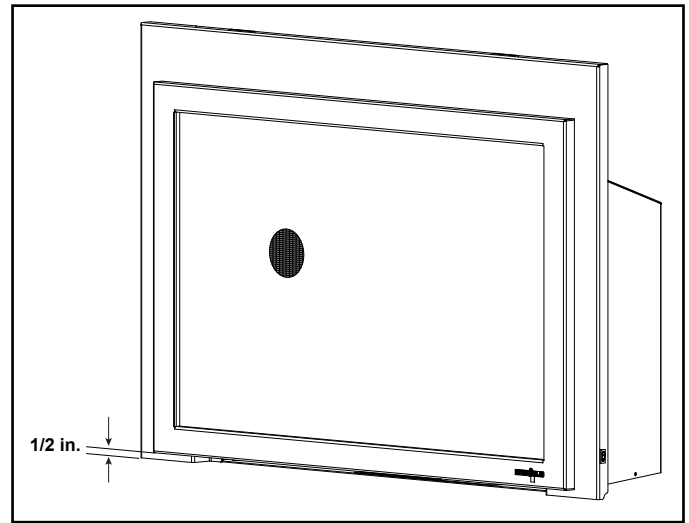


Figure 8.4 Minimum Required 1/2 in. Gap

- All flooring and hearth material must remain below the bottom of the surround. See Figure 8.5.
- Combustible flooring may be located in front of the appliance. Exception - no vinyl / adhesive flooring. See Figure 8.6.
- 1/2 inch gap under the bottom of the front must be maintained. See Figure 8.4.
- A minimum 1/4 inch gap from the bottom of the appliance to the metal floor of the solid fuel firebox is **REQUIRED**. See side view in Figure 8.7.
- Combustible flooring underneath the appliance is acceptable with a 1/4 inch gap. See Figure 8.7.

## B. Hearth Extension

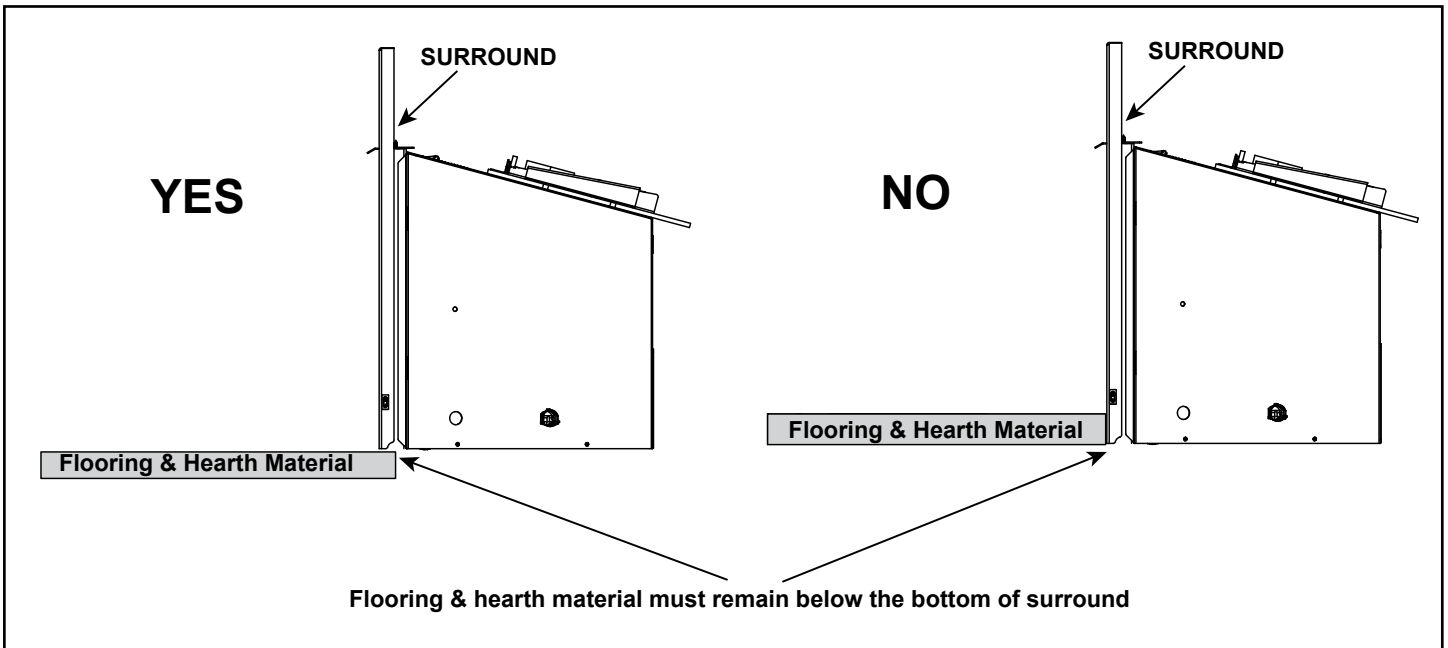


Figure 8.5 Flooring & Hearth Material

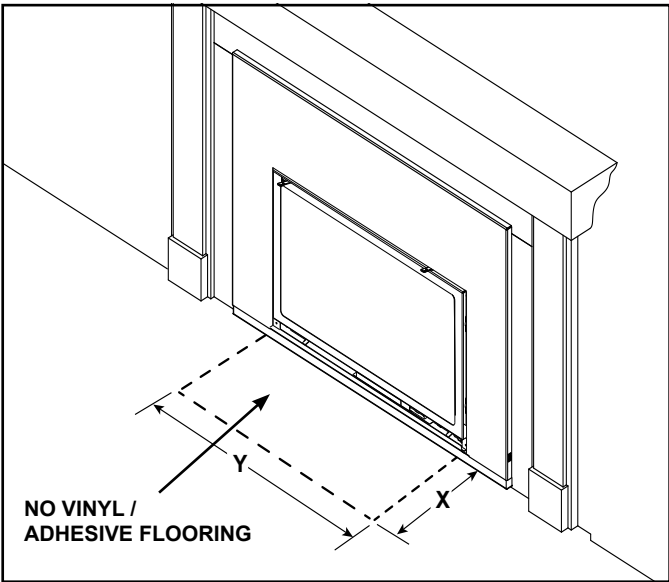


Figure 8.6 Hearth - Combustible Material Exception

**Vinyl / Adhesive Flooring - Minimums**

Appliance Size	Depth (X)	Width (Y)
25 in.	16 in	25-3/4 in.
30 in.	16 in	30-3/4 in.
35 in.	16 in	35-3/4 in.

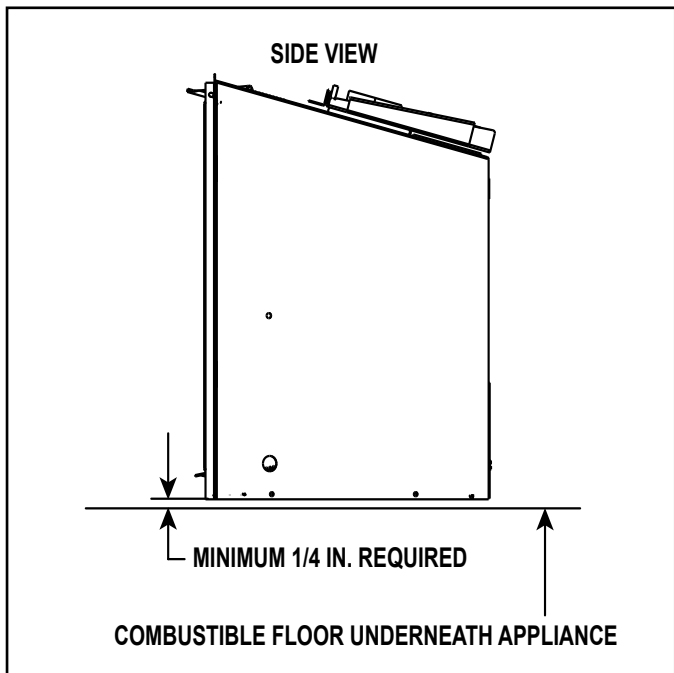


Figure 8.7 Solid Fuel Floor Clearance

# 9 Appliance Setup

## A. Fixed Glass Assembly

**WARNING! Risk of Asphyxiation!** Handle fixed glass assembly with care. Inspect the gasket to ensure it is undamaged and inspect the glass for cracks, chips or scratches.

- **DO NOT** strike, slam or scratch glass.
- **DO NOT** operate fireplace with glass removed, cracked, broken or scratched.
- Replace as a complete assembly.

### Removing Fixed Glass Assembly

**CAUTION! Handle fixed glass assembly with care.** Glass is breakable.

- Avoid striking, scratching or slamming glass
- Avoid abrasive cleaners
- **DO NOT** clean glass while it is hot
- The glass assembly fastens to the fireplace in four places. Four of the fastening mechanisms are spring-loaded glass latches. An example of the glass latch is shown in Figure 9.2.
- To release glass assembly, use the supplied multi-purpose tool to pull the two bottom spring-loaded latches forward and allow them to retract away from the glass assembly. Tilt the bottom of the glass assembly outward until the top latches disengage.

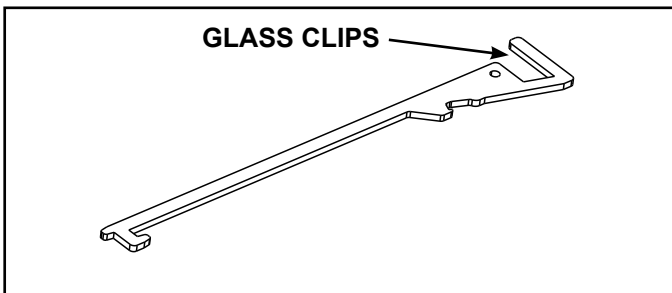


Figure 9.1 Multi-Purpose Tool

### Replacing Fixed Glass Assembly

- Tilt the top of the glass assembly toward fireplace and slide glass assembly upward to engage top latches. Verify top latches are fully engaged and then fasten the two bottom latches using the supplied multi-purpose tool.
- Reinstall door or decorative barrier front.

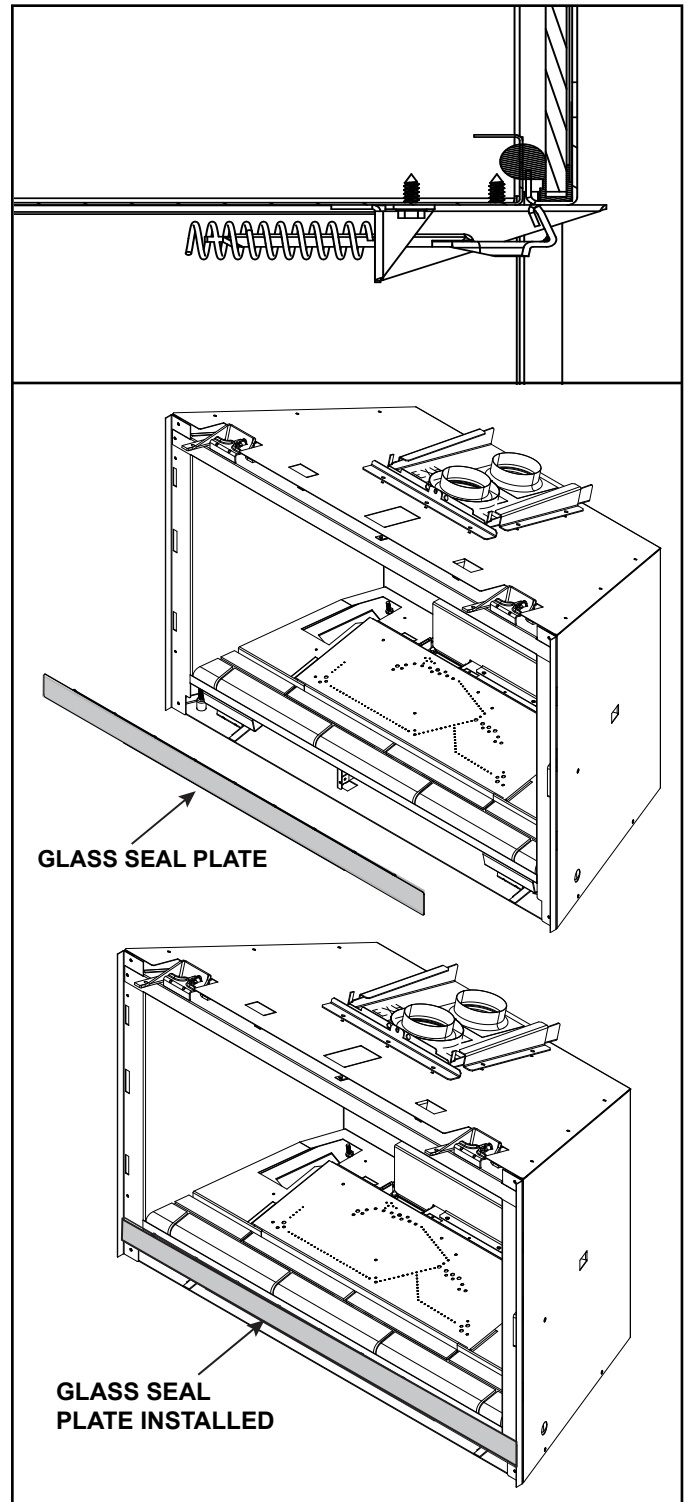


Figure 9.2 Glass Seal Plate

**WARNING!** Glass seal plate must be properly installed. Risk of elevated component temps and carbon monoxide exposure.

**Note:** Appliance is shipped with glass seal plate in the installed position.

## **B. Remove the Shipping Materials**

Remove shipping materials from inside or underneath the firebox.

**Note:** Remove the zip ties from the appliance that hold the electrical cord, gas flexline and multi-purpose tool in place for shipping.

## **C. Clean the Appliance**

Clean/vacuum any sawdust that may have accumulated inside the firebox or underneath in the control cavity.

## **D. Accessories**

Install approved accessories per instructions included with accessories. Contact your dealer for a list of approved accessories.

***WARNING! Risk of Fire and Electric Shock! Use ONLY Hearth & Home Technologies-approved optional accessories with this appliance. Using non-listed accessories could result in a safety hazard and will void the warranty.***



## E. Refractory



Leave this manual with party responsible for use and operation.

**CAUTION! Risk of Cuts or Abrasions.** Wear protective gloves and safety glasses during installation.

**NOTICE: Handle refractory panels with care. Refractory may chip or crack if dropped or impacted.**

### KIT COMPONENTS (Refractory shown in Figure 1)

- (1) Left Refractory
- (1) Right Refractory
- (1) Back Refractory
- (1) Base Refractory

### Service Parts:

If replacement panels are needed, the entire kit must be ordered.



Figure 1 Refractory Kit Components

## INSTALLATION

1. Install base refractory. See Figure 3.



Figure 2 Empty Firebox



Figure 3 Base Refractory Installed

2. Install back refractory. See Figure 4.  
Be sure to hold back refractory in upright position until side panels get installed.



Figure 4 Back Refractory Installed

3. Install left and right refractory, bend down tabs to hold in place. See Figures 5, 6 & 7.



Figure 5 Left Refractory Installed



Figure 6 Left Refractory Handbend Tab



Figure 7 Right Refractory Handbend Tab



Figure 8 Refractory Kit Installed

2532-936

## F. Ember Rocks Placement

- Ember rocks shipped in the appliance manual bag.
- If desired, ember rocks can be used to reduce the intensity of the accent lighting.
- The heavier the ember rocks is applied the more the intensity of the accent lighting is reduced.



Figure 9.3 Accent Light with Ember Rocks

## G. Mystic Embers Placement

**WARNING! Risk of Explosion!** Follow mystic ember placement instructions. **DO NOT** place mystic embers on burner. Improperly placed mystic embers interferes with proper burner operation.

Mystic embers is shipped with this gas appliance. To place the embers:

- Embers CANNOT be placed on the burner.
- Place embers in front of and to the sides of the burner.
- Use mystic embers to mask transition between base refractory and base pan. See Figure 9.4.

## H. Ember Placement

**WARNING! Risk of Explosion!** Follow ember placement instructions in manual. Replace ember material annually. Improperly placed embers interfere with proper burner operation.

Ember material is shipped with this gas appliance. To place the ember material:

- Embers CANNOT be placed directly over burner ports that are indicated in Figure 9.4 or in pilot area as indicated in Figure 9.4.
- Embers may be placed on the ports in areas indicated in Figure 9.4. These embers must be placed loosely over the port holes, not pressed down on or into the holes. Create a single layer, no more than 1/4 inch thick.
- Failure to follow this procedure will likely cause lighting and sooting problems.
- Save the remaining ember materials for use during appliance servicing. The embers provided should be enough for 3 to 5 applications.

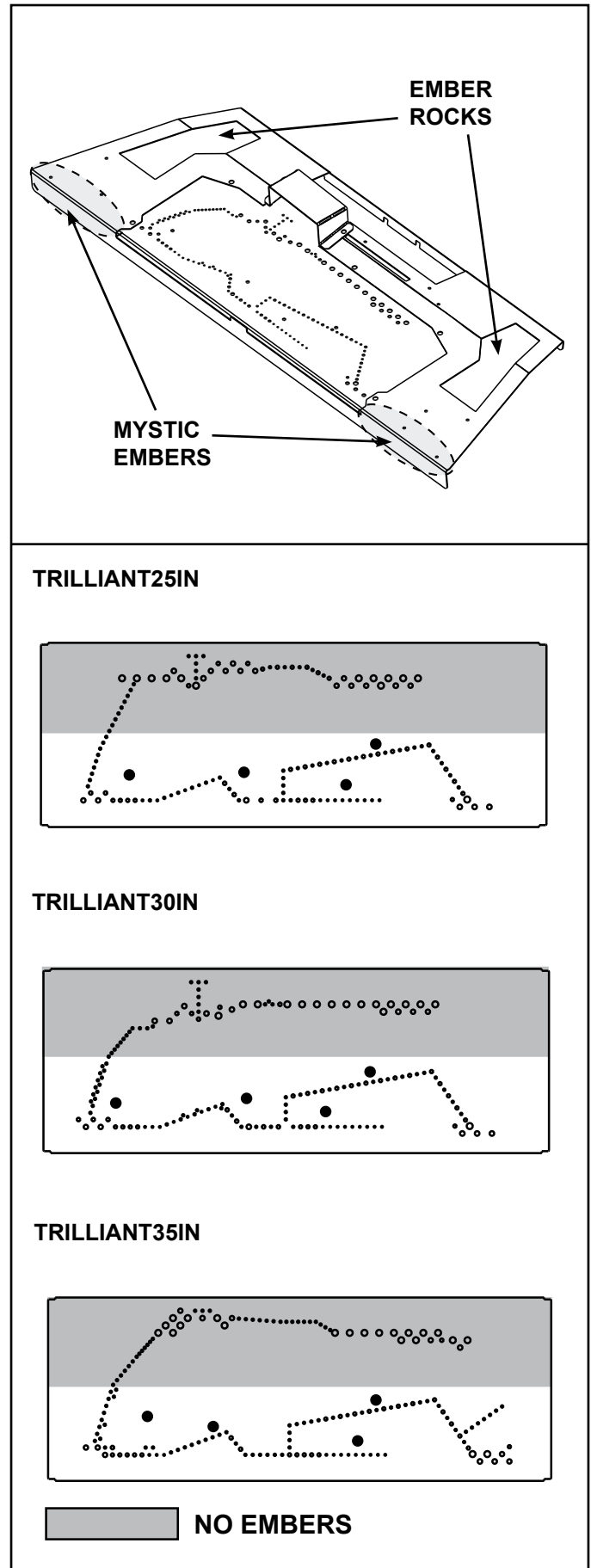


Figure 9.4 Placement of Embers

## I. Install the Log Assembly

# LOG PLACEMENT INSTRUCTIONS

### Log Set Assembly: LOGS-2537, LOGS-2538, LOGS-2539

Models: EXCURSION-I, EXCURSION-II, EXCURSION-III  
TRILLIANT25IN, TRILLIANT30IN, TRILLIANT35IN



Leave this manual with party responsible for use and operation.

**CAUTION! Risk of Cuts or Abrasions.** Wear protective gloves and safety glasses during installation.

**CAUTION:** Logs are fragile, handle with care.

**NOTICE:** To simplify the installation process, use Figure 1 to positively identify each individual log before beginning installation.

### MODEL: EXCURSION-I, TRILLIANT25IN

EXCURSION-I SRV LOGS		
LOG ID	SRV PART #	MOLDED LOG #
1	SRV2537-711	37-1
2	SRV2537-712	37-2
3	SRV2537-713	37-3
4	SRV2538-714	37-4
5	SRV2537-715	37-5
6	SRV2537-716	37-6
7	SRV2537-717	37-7

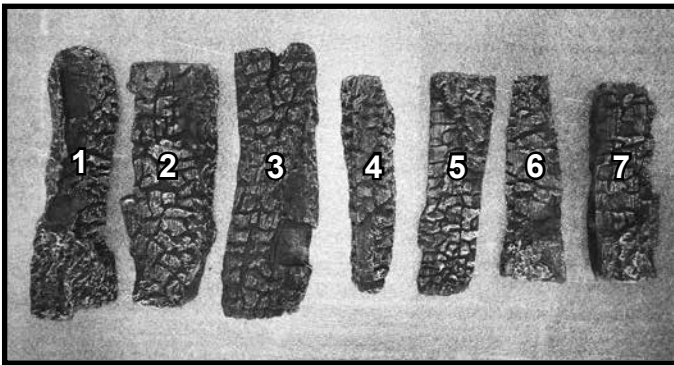


Figure 1. Log Identification - EXCURSION-I, TRILLIANT25IN

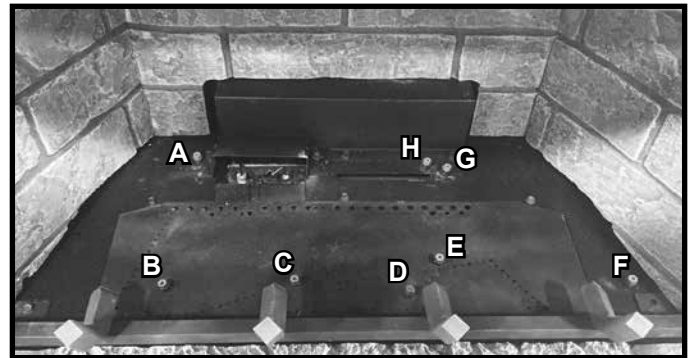


Figure 2. Empty Firebox with Front Hearth Installed

**LOG #1:** Set log #1 against left refractory and slide back until the burnout end touches the back refractory. Rotate log so the burnout end touches pin A and bark end touches left refractory. See Figure 4.

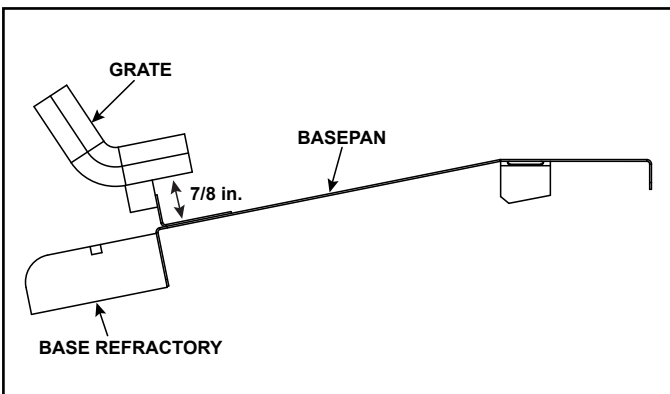


Figure 3. Side Profile Grate Location Reference

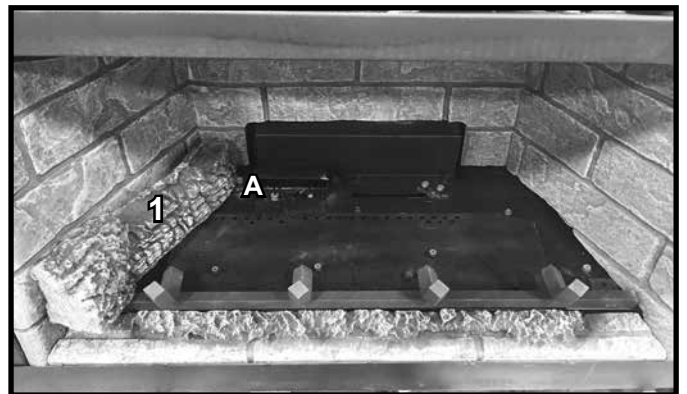


Figure 4. Log #1 Installed

**LOG #2:** Place the bottom right end of log #2 against pins G & H and the left end of the log on the flat spot of log #1. Back side of log will be pushed up against the air scoop. See Figure 5.

**LOG #3:** Place lower right side of Log #3 against pin F and burnout end of log #3 on flat spot of Log #2. Slide the burnout end of log back until it contacts refractory. The right end of the log will also contact the right side refractory. See Figure 6.

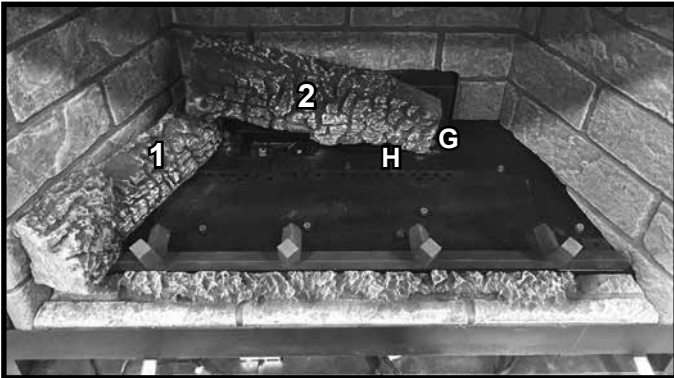


Figure 5. Log #2 Installed

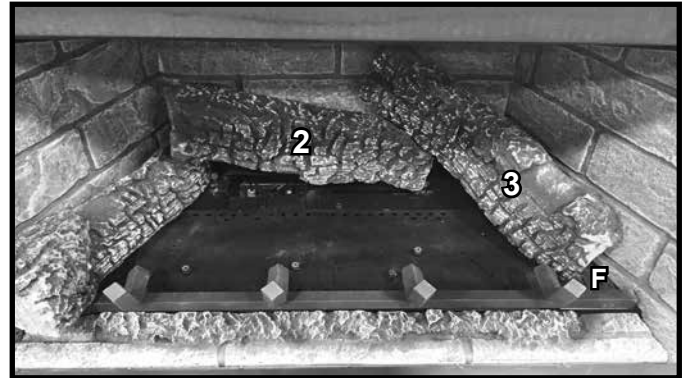


Figure 6. Log #3 Installed

**LOG #4:** Place the left tip of Log #4 against pin B and lay flat on the burner. Rotate the log forward until it contacts both pin C and pin E. Log will contact all 3 pins. See Figure 7.

**LOG #5:** Notch on burnout end of Log #5 rests on grate tine, bark end rests on notch of Log #1. Slide burnout end of log back until it touches Log #4. See Figure 8.

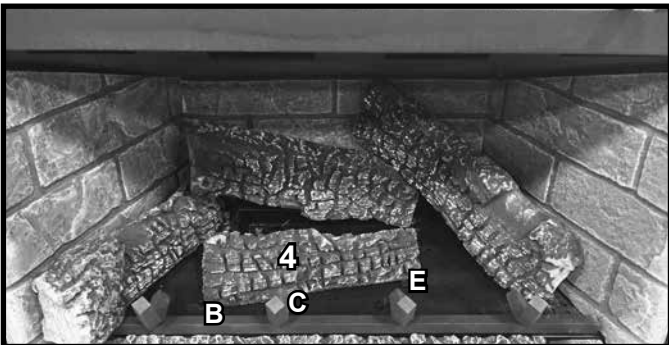


Figure 7. Log #4 Installed

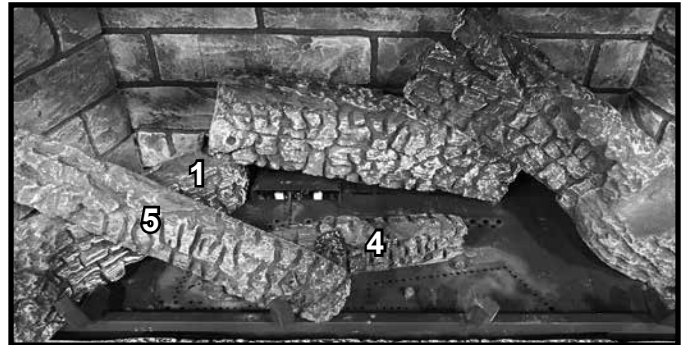


Figure 8. #5 Installed

**LOG #6:** Place the burnout tip of Log #6 against pin D and the end of grate tine. Place the bark end on the flat spot of Log #3. See Figure 9.

**LOG #7:** Locate the bark to burnout transition on Log #7. Place transition over grate tine and burnout end of log in notch of Log #4. See Figure 10.

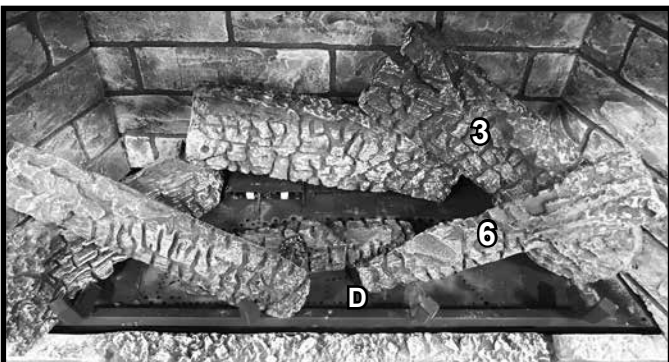


Figure 9. Log #6 Installed

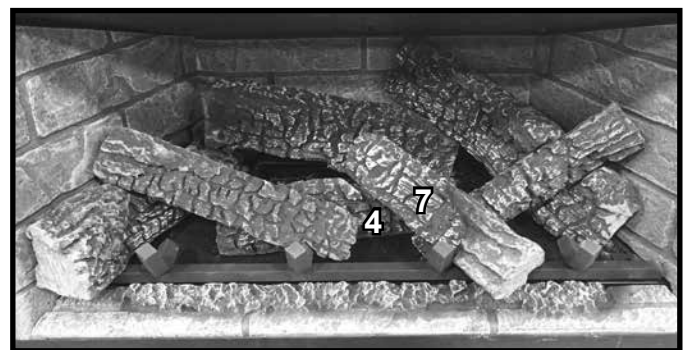


Figure 10. Log #7 Installed

**MODELS: EXCURSION-II, TRILLIANT30IN**

EXCURSION-II SRV LOGS		
LOG ID	SRV PART #	MOLDED LOG #
1	SRV2538-711	38-1
2	SRV2538-712	38-2
3	SRV2538-713	38-3
4	SRV2538-714	38-4
5	SRV2538-715	38-5
6	SRV2538-716	38-6
7	SRV2538-717	38-7

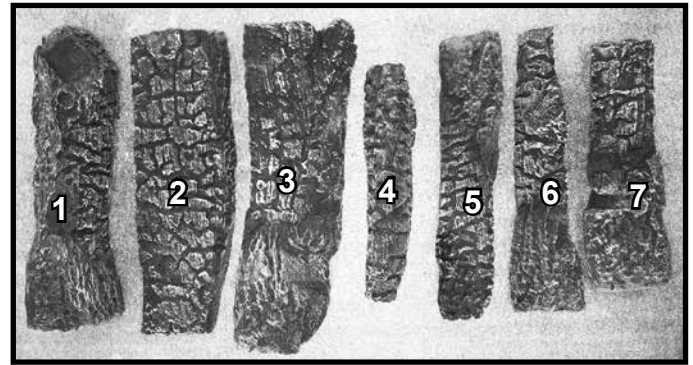


Figure 11. Log Identification - EXCURSION-II, TRILLIANT30IN

**NOTICE:** To simplify the installation process, use Figure 11 to positively identify each individual log before beginning installation.

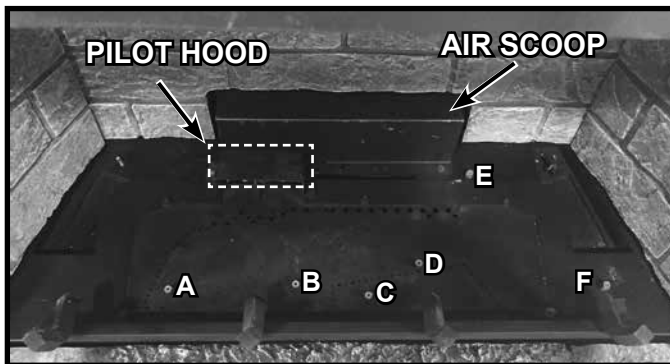


Figure 12. Empty Firebox with Front Hearth Installed

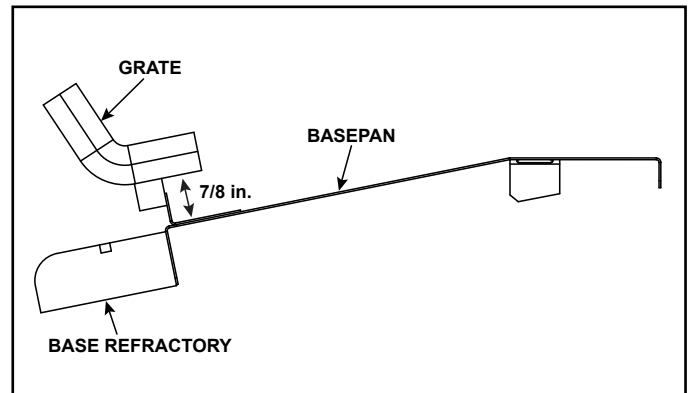


Figure 13. Side Profile Grate Location Reference

**LOG #1:** Place cutout area of log #1 against the left side of the pilot hood. Lower the bark end of the log down until it rests on the horizontal beam of the log grate. It will sit between tine #1 and the refractory. The transition from bark to burnout will line up with the grate bar. Ensure that the cutout section of the log is pushed up against the side of the pilot hood. See Figures 14, 15 and 16.



Figure 14. Log #1 Cutout

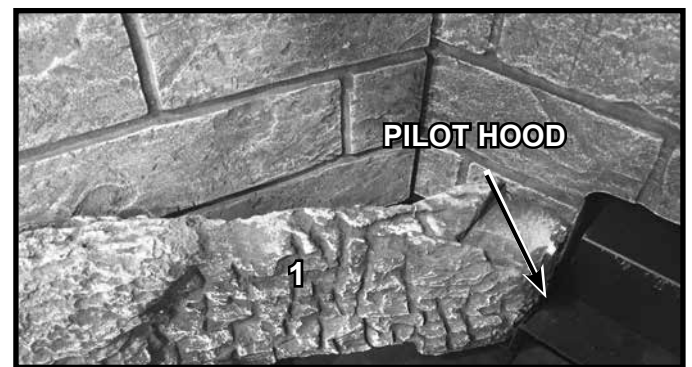


Figure 15. Log #1 Against Pilot Hood

**LOG #2:** Place the bottom right end of Log #2 against pin E and the left end of the log on the flat spot of Log #1. Back side of log will be pushed up against the air scoop. See Figure 17.



Figure 16. Log #1 Installed

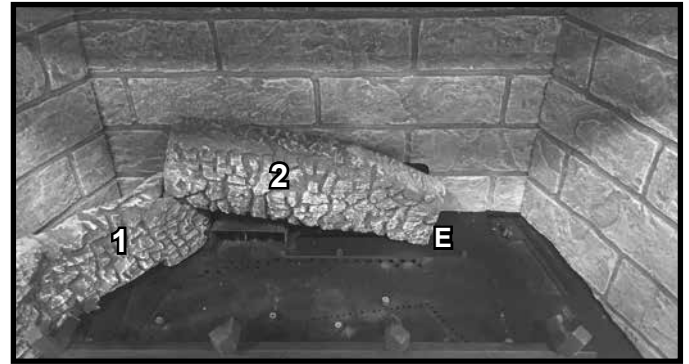


Figure 17. Log #2 Installed

**LOG #3:** Place lower right side of Log #3 against pin F and burnout end of Log #3 on flat spot of Log #2. Slide the burnout end of log back until it contacts the back refractory. The back of right side of log will contact the right side refractory. See Figure 18.

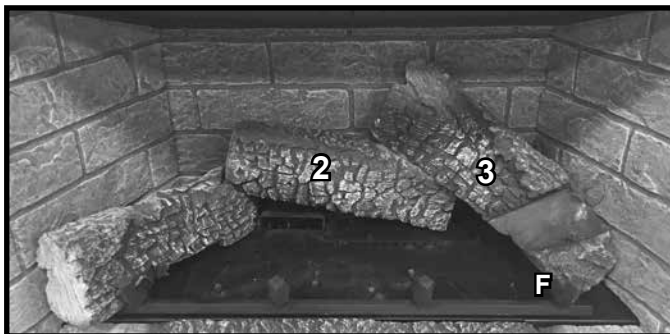


Figure 18. Log #3 Installed

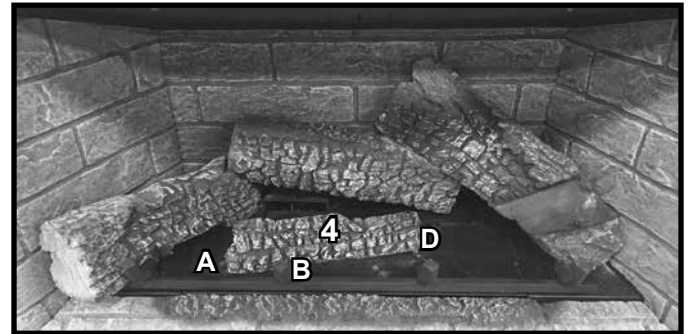


Figure 19. Log #4 Installed

**LOG #5:** Notch on burnout end of Log #5 rests on grate tine, bark end rests on notch of Log #1. Slide burnout end of log back until it touches Log #4. See Figure 20.

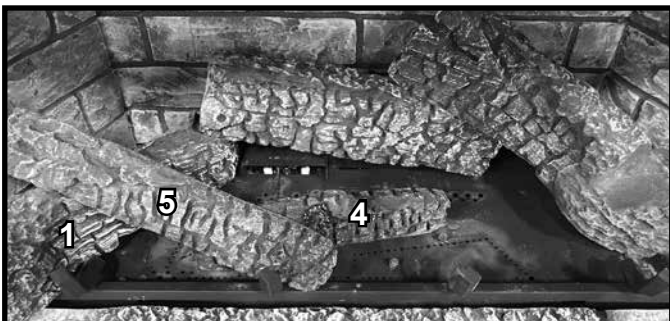


Figure 20. Log #5 Installed

**LOG #6:** Place the burnout tip of Log #6 against pin C and position between two rows of burner parts. Place the bark end on the flat spot of Log #3. See Figure 21.

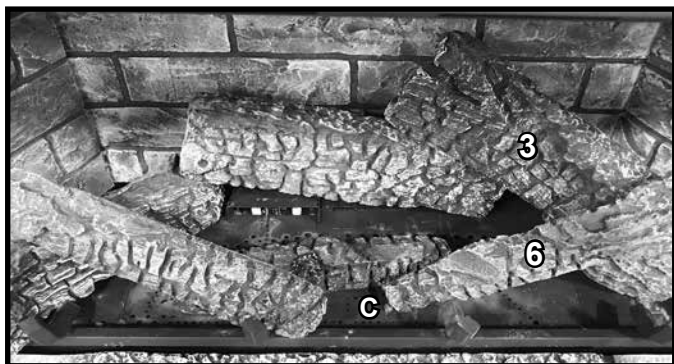


Figure 21. Log #6 Installed

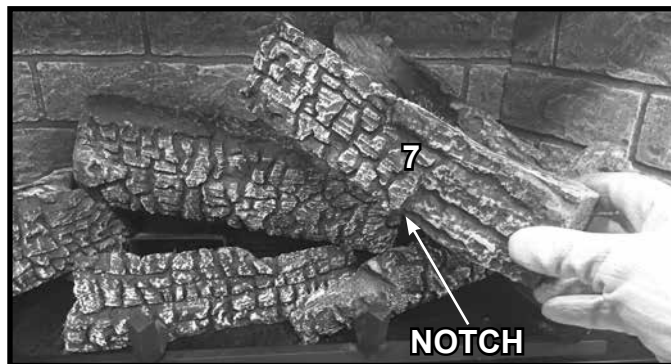


Figure 22. Log #7

**LOG #7:** Locate the notch on Log #7. See Figure 22. Place notch over grate tine and burnout end of log on notch of Log #4. See Figure 23.

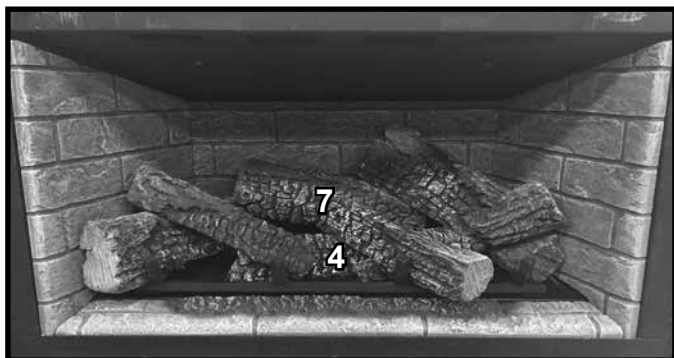


Figure 23. Log #7 Installed



Figure 24. Complete Log Set



**MODELS: EXCURSION-III, TRILLIANT35IN**

EXCURSION-III SRV LOGS		
LOG ID	SRV PART #	MOLDED LOG #
1	SRV2539-711	39-1
2	SRV2539-712	39-2
3	SRV2539-713	39-3
4	SRV2539-714	39-4
5	SRV2538-715	39-5
6	SRV2539-716	39-6
7	SRV2538-717	39-7
8	SRV2539-718	39-8

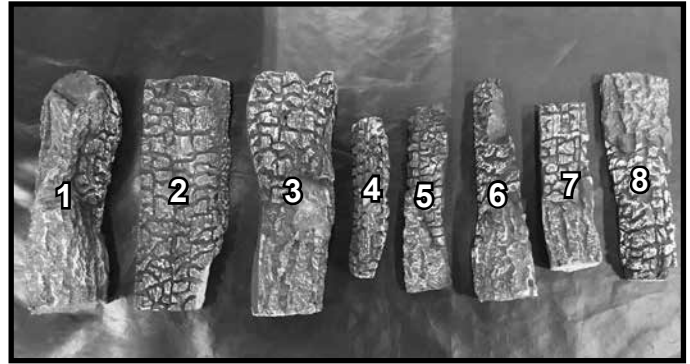


Figure 25. Log Identification - EXCURSION-III, TRILLIANT35IN

**NOTICE:** To simplify the installation process, use Figure 25 to positively identify each individual log before beginning installation.

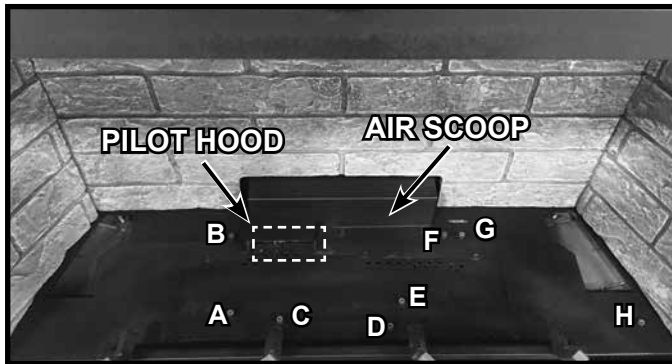


Figure 26. Empty Firebox with Front Hearth Installed

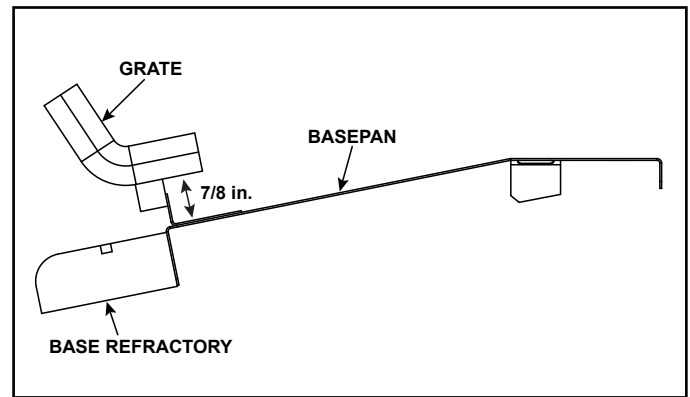


Figure 27. Side Profile Grate Location Reference

**LOG #1:** Place burnout end of log #1 against the left side of pin B and the bark end between the grate and refractory. Slide the log back until it contacts the back of the firebox. Rotate the log (bark end) clockwise until it contacts the side refractory. The log will be in contact with the firebox back, pin B and the side refractory. See Figure 28.

**LOG #2:** Place the bottom right end of log #2 against pin F and the left end of the log on the flat spot of log #1. Push the log back so that it contacts the air scoop. See Figure 29.

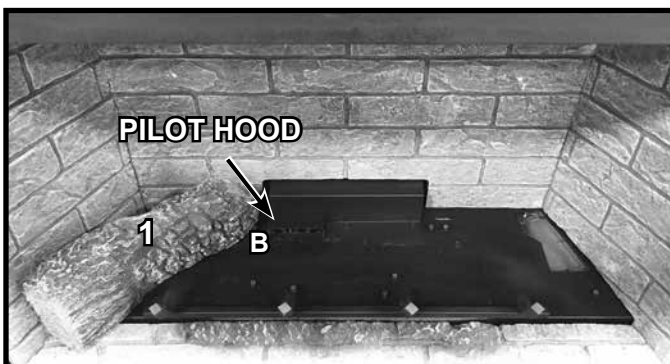


Figure 28. Log #1 Installed

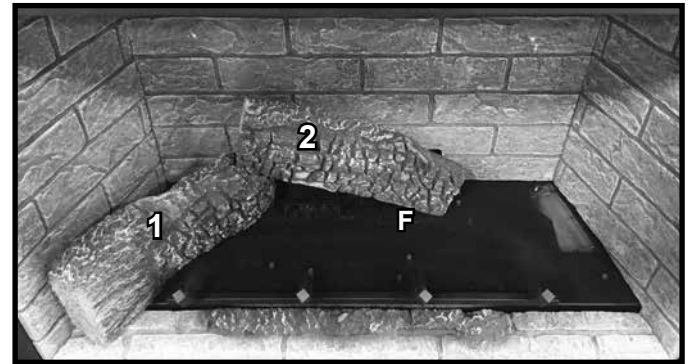


Figure 29. Log #2 Installed

**LOG #3:** Place lower right side of log #3 against pin H and burnout end of log #3 on flat spot of log #2. Rotate the log so the flat spot on the back side is flush against the right side refractory. Slide the burnout end of log #3 back until it contacts the back refractory. See Figure 30 & 31.

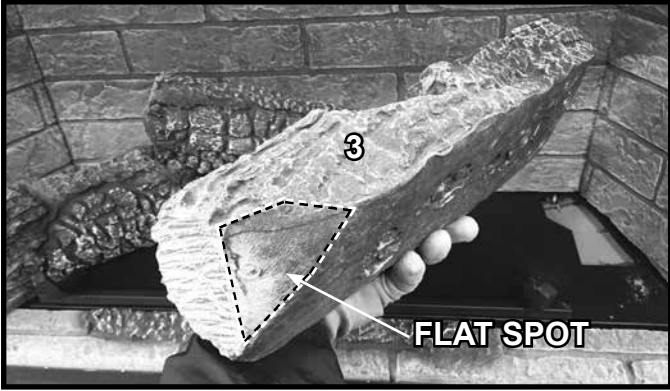


Figure 30. Log #3



Figure 31. Log #3 Installed

**LOG #4:** Place the left tip of log #4 against pin A and lay flat on the burner. Rotate the log forward until it contacts both pin C and pin E. Log will contact all 3 pins. See Figure 32.

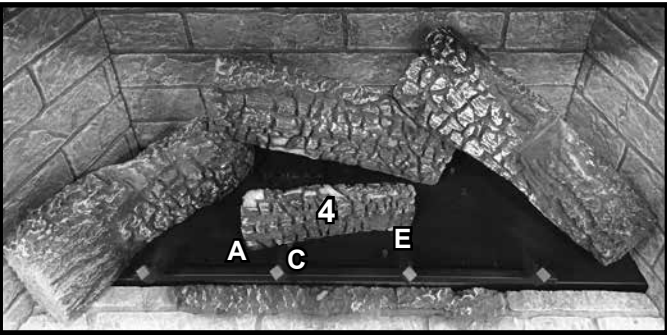


Figure 32. Log #4 Installed

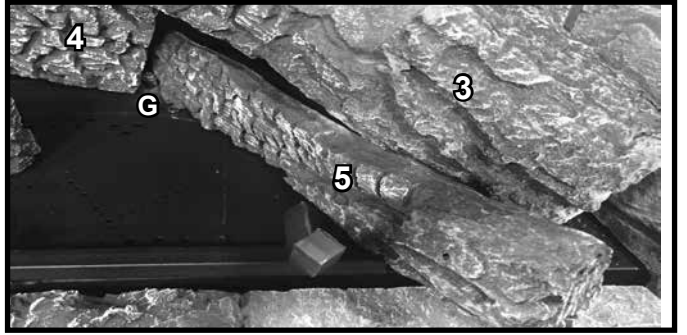


Figure 33. Log #5 Installed

**LOG #5:** The tip of the burnout end of log #5 will contact pin G and the bark end will rest on the grate between tine #4 and log #3. See Figures 33 and 34.

**LOG #6:** Place the burnout tip of log #6 against pin D and the end of tine #3. Place the bark end in the notch on log #3. See Figure 35.

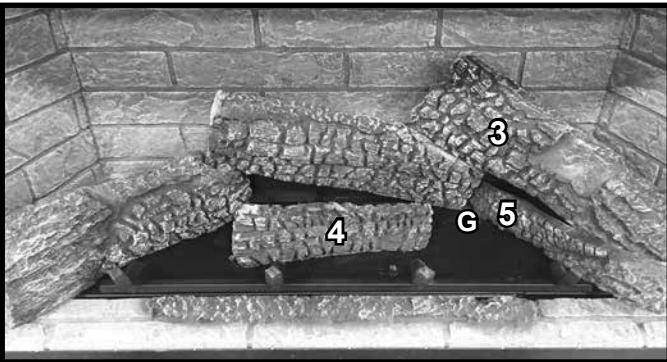


Figure 34. Log #5 Installed

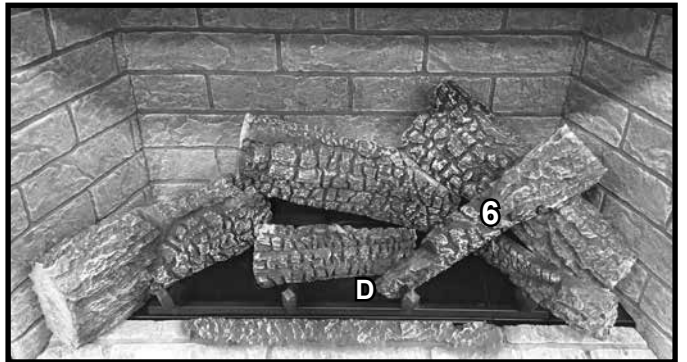


Figure 35. Log #6 Installed

**LOG #7:** Locate the notch on log #7. Place notch over grate tine and burnout end of log in notch of log #4. See Figure 36.

**LOG #8:** Notch on burnout end of log #8 rests on grate tine, bark end rests on notch of log #1. See Figure 37.

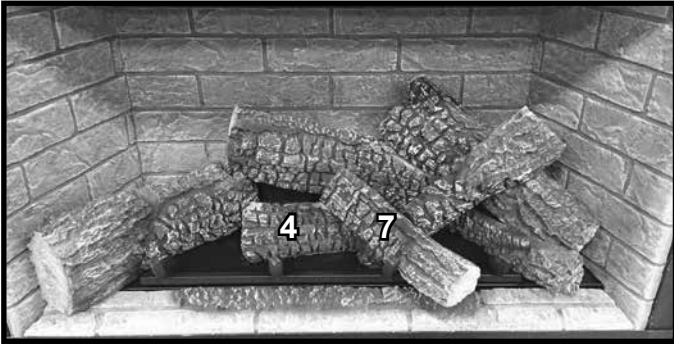


Figure 36. Log #7 Installed

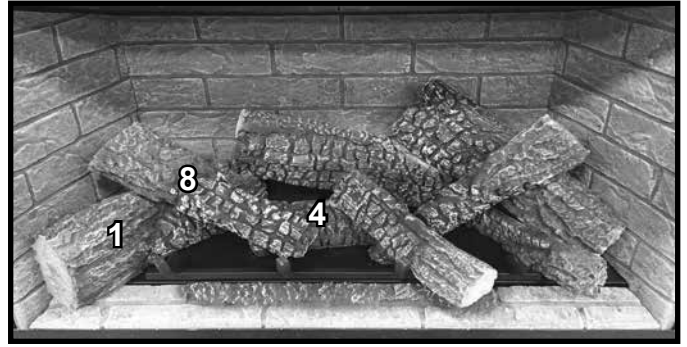


Figure 37. Log #8 Installed.

2538-935F

## J. Install Decorative Barrier Front and Surround

A decorative barrier front and surround is required to complete this installation. Installation instructions are included with the decorative barrier front and surround. Consult your dealer for a list of decorative barrier front and surround options.

**WARNING! Risk of Fire!** Install *ONLY* doors or fronts approved by Hearth & Home Technologies. Unapproved doors or fronts may cause fireplace to overheat.

**This fireplace has been supplied with an integral barrier to prevent direct contact with the fixed glass panel. DO NOT operate the fireplace with the barrier removed.**

Contact your dealer or Hearth & Home Technologies if the barrier is not present or help is needed to properly install one.

For more information refer to the instructions supplied with your decorative barrier front.

See Figure 9.5 for Reset Switch Detail. The Reset Switch included with the surround needs to be wired to the appliance. Reference front/surround instructions (included with the decorative barrier front) and wiring diagram in Figure 6.2.

- Reset switch must be installed and in the “ON” position for appliance to operate.

**NOTE:** For on site custom surround details, see instructions included with the surround.

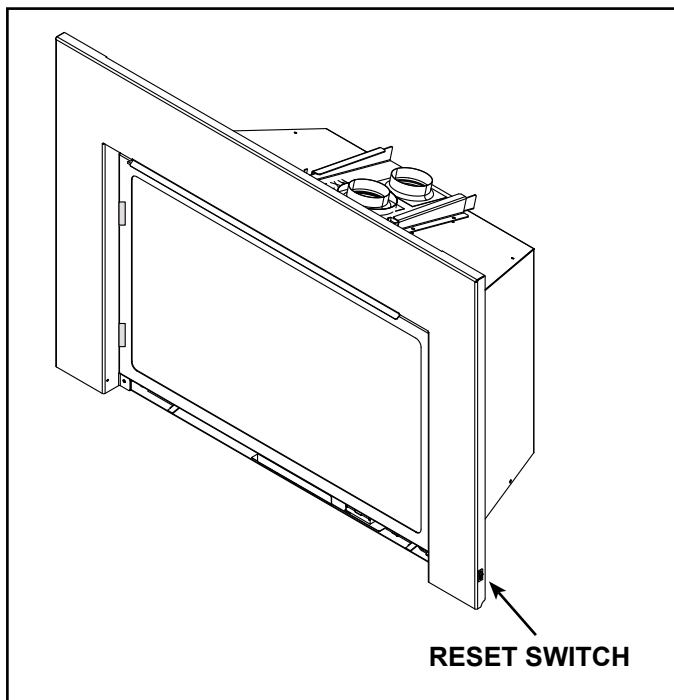


Figure 9.5 Surround Reset Switch

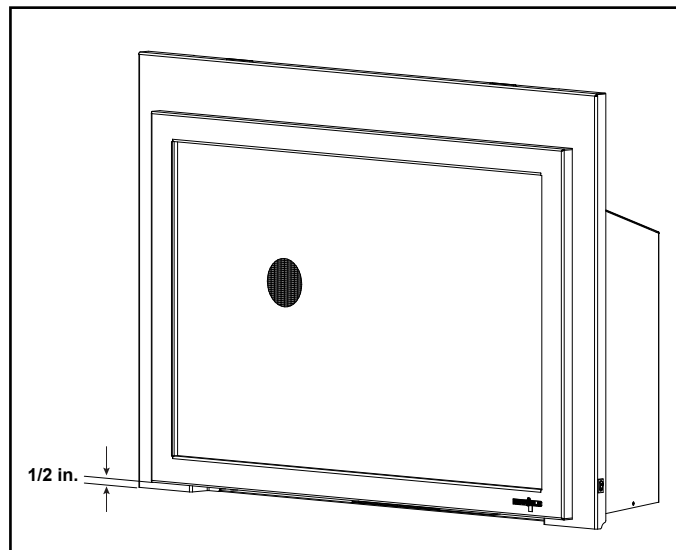


Figure 9.6 Required 1/2 in. Gap

**NOTICE:** 1/2 inch gap must be maintained or components will overheat.

## K. Appliance Break-In

Follow the initial break-in procedure below to cure the materials used to manufacture the fireplace and the finishing materials around it.

- The fireplace should be run three to four hours continuously on high flame.
- Turn the fireplace off and allow it to cool completely.
- Remove fixed glass assembly. See Section 9.A.
- Clean fixed glass assembly.
- Replace the fixed glass assembly and run continuously on high an additional 12 hours.

**Note:** The IntelliFire Touch system has a safety feature that automatically shuts down the fireplace after 9 hours of continuous operation without receiving a command from the remote control. If this occurs, restart the appliance.

**NOTICE! Open windows for air circulation during fireplace break-in.**

- Some people may be sensitive to smoke and odors.
- Smoke detectors may activate.

## L. Heat Management

### Heat Output

Heat Output is managed through the RC400 remote control that comes standard with the fireplace.

- Turn the appliance on and off.
- Adjust the height of the flame by varying the input using the remote control.
- Adjust the fan speed.

For more information, see the instructions that accompany the remote control.

**NOTICE!** Set the fan speed to high on the RC400 remote control during the first three to four hours of break-in operation. This break-in will ensure optimum speed control of the fans during subsequent use.

# 10 Reference Materials

## A. Vent Components

Direct Vent Flex Liner Kits (see Figure 10.1)

LINK-DV30B: Masonry 3 inch flex liner kit. Expands to 30 feet. Includes: two liners, termination cap and flashing.

LINK-DV4-30B: Masonry 3 inch flex liner kit. Expands to 30 feet and 4 feet respectively. Includes: two liners, termination cap and flashing.

LINKSQC-DV30, LINKSQB-DV30: Masonry 3 inch flex liner kit. Expands to 30 feet. Includes: two liners, termination cap and flashing.

LINKSQC-DV4-30, LINKSQB-DV4-30: Masonry 3 inch flex liner kit. Expands to 30 feet and 4 feet respectively. Includes: two liners, termination cap and flashing.

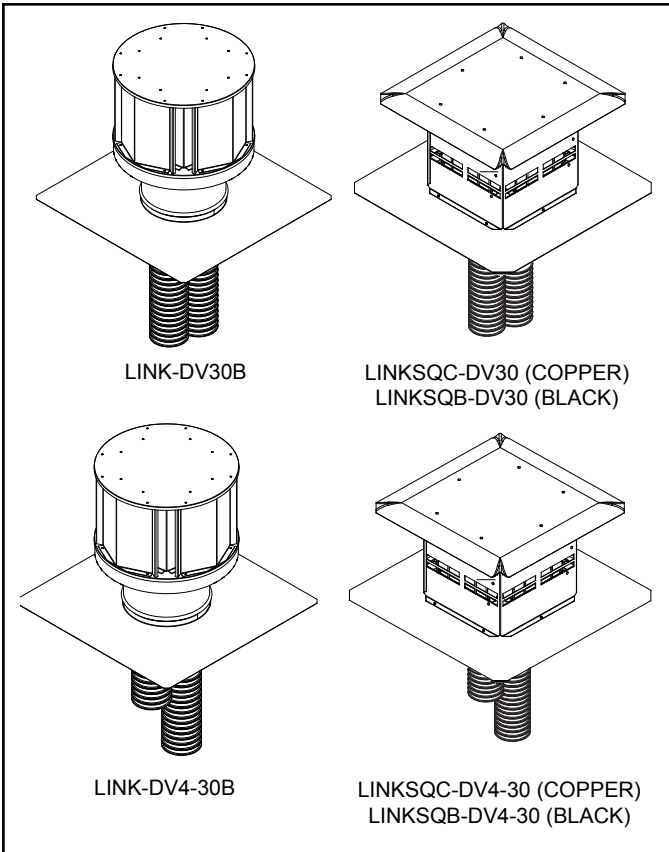


Figure 10.1 Direct Vent Flex Liner Kits

Direct Vent Flex Liner Accessory Kits. See Figure 10.2.

LINK-ZC-ADPB: Zero clearance chimney adapter

DV-46DVA-GK: Adapter kit - It is permissible to use DV-46DVA-GK to connect colinear flex vent to SLP vent pipe to extend the run.

FLEX3-30: One 3 inch flexible liner expands to 30 feet.

FLEX-CNCT: Connector kit - 3 inch liner to 3 inch liner, one connector per kit.

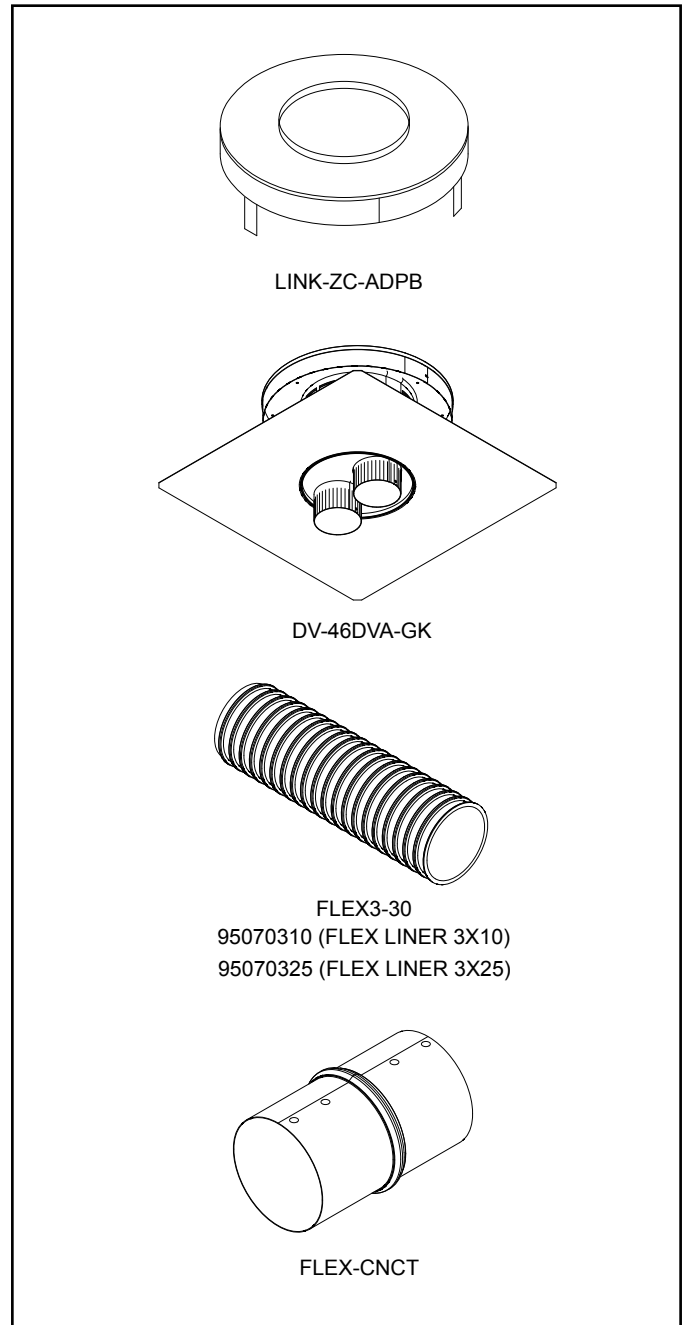


Figure 10.2 Direct Vent Flex Liner Accessory Kits

**Reference price book for SLP components.**

**Note: No Horizontal Termination allowed.**

## B. Accessories

Install approved accessories per instructions included with accessories. Contact your dealer for a list of approved accessories.

**WARNING! Risk of Fire and Electric Shock! Use ONLY Hearth & Home Technologies-approved optional accessories with this appliance. Using non-listed accessories could result in a safety hazard and will void the warranty.**

## Remote Controls, Wall Controls and Wall Switches

Follow the instructions supplied with the control installed to operate your fireplace:

For safety:

- Install a switch lock or a wall/remote control with child protection lockout feature.
- Keep remote controls out of reach of children.

See your dealer if you have questions.

## Halogen Lights

Halogen Lights are factory installed. No additional set up is required.

**Note:** Not offered with 25 in. model.

## Fan

Fan is factory installed. No additional set up is required.

## Refractory

Refractory is factory installed. No additional set up is required.

Majestic, a brand of Hearth & Home Technologies  
7571 215<sup>th</sup> Street West, Lakeville, MN 55044  
[www.majesticproducts.com](http://www.majesticproducts.com)

Please contact your Majestic dealer with any questions or concerns.  
For the location of your nearest Majestic dealer,  
please visit [www.majesticproducts.com](http://www.majesticproducts.com).

Printed in U.S.A. - Copyright 2023