



METAL-FAB INC.



DIRECT VENT PRODUCTS
DIRECT VENT CHIMNEY

FOR USE WITH GAS-FIRED APPLIANCES.

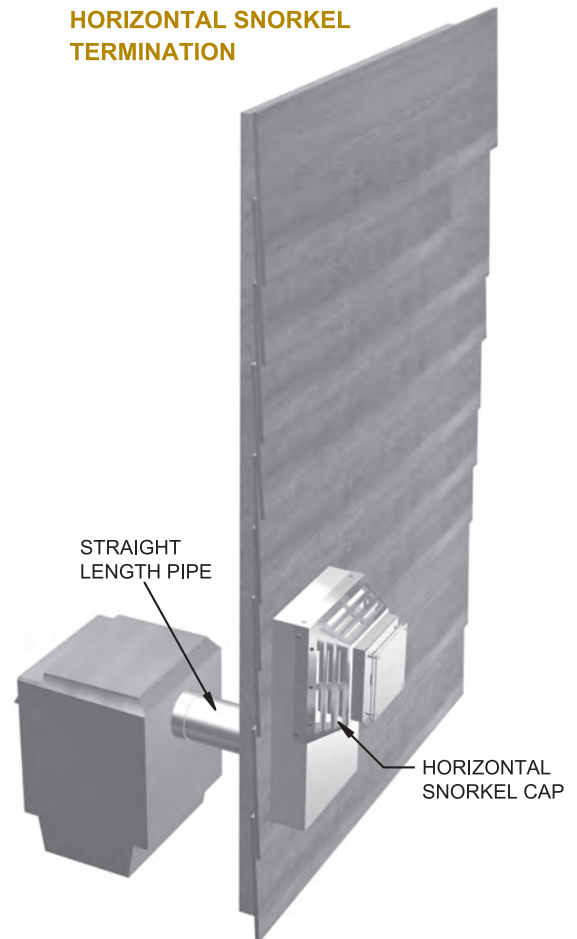
Metal-Fab Direct Vent Chimney offers the same high quality, attention to detail, and superior performance as our other vent products:

- Stainless steel inner flue, superior to aluminum for high heat applications.
- Size - 4x6 and 5x8 available.
- Unitized construction eliminates field assembly of inner flue and casing.
- Twist connections with SureLock™ provide quick, positive, fastener-free installation on 4x6 components.
- Precision pipe and fittings have been engineered for optimum appliance performance in both horizontal and vertical configurations. Field-applied sealant is not required.
- Laboratory tested and listed with each appliance.
- Wind, rain, and thermal performance-tested for safer, dependable operation.
- Black and galvanized casings available.
- All elbows swivel for easy alignment of system components.
- Single multi-adjustable length.
- 1 - 2 day shipping, 100% order fill.

New Technology

The special double-wall construction of Metal-Fab Direct Vent allows direct vent stoves and fireplaces to operate without using air from inside the building. These direct vent appliances draw combustion air in from outdoors through the direct vent system, meaning that warm inside air is not being used to fuel the appliance. The appliance burns efficiently without creating fumes, condensation or smoke in the room.

DIRECT VENT - FREE STANDING HORIZONTAL SNORKEL TERMINATION



Better Design, Better Construction

Centering brackets are attached to the inner flue, but not to the casing. This unique design allows for expansion and contraction, but prevents possible misalignment of flue and casing. No need for field assembly of inner flue and casing.

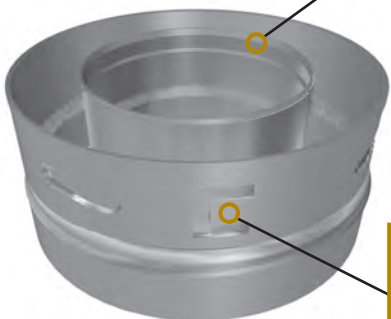
Chamfered ends on each end of the flue provide positive fit and easy slide-together assembly.

Exclusive SureLock™ locking system on 4x6 components makes connections fast, easy and tool-free. Just push pipes together, twist and push SureLock tab in. Easily unlocked if disassembly is necessary.

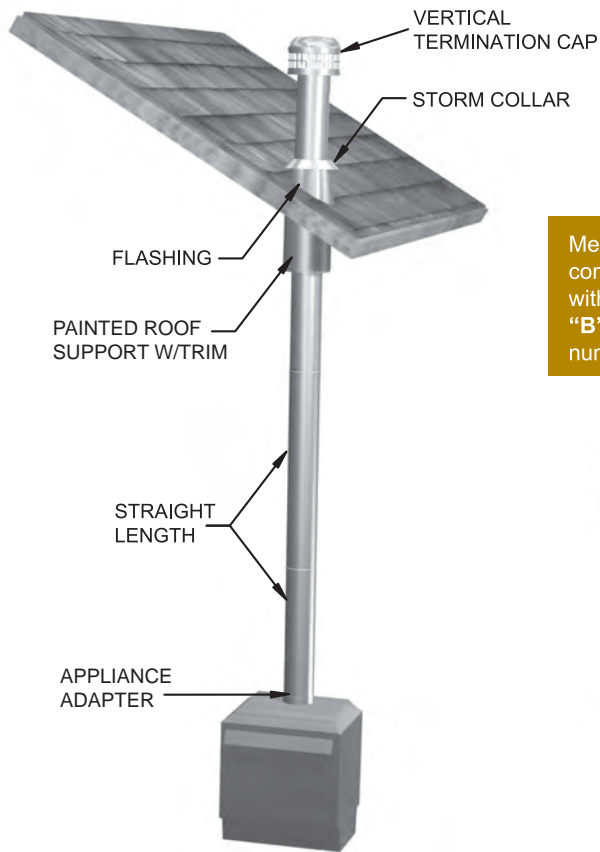
Inner flue is heavy gauge 430 stainless steel to fight corrosion and provide strength and integrity to the vent system.

Precision engineering and construction provide for an airtight connection without the need for a seal required by other brands. Also eliminates the need to apply sealant in the field.

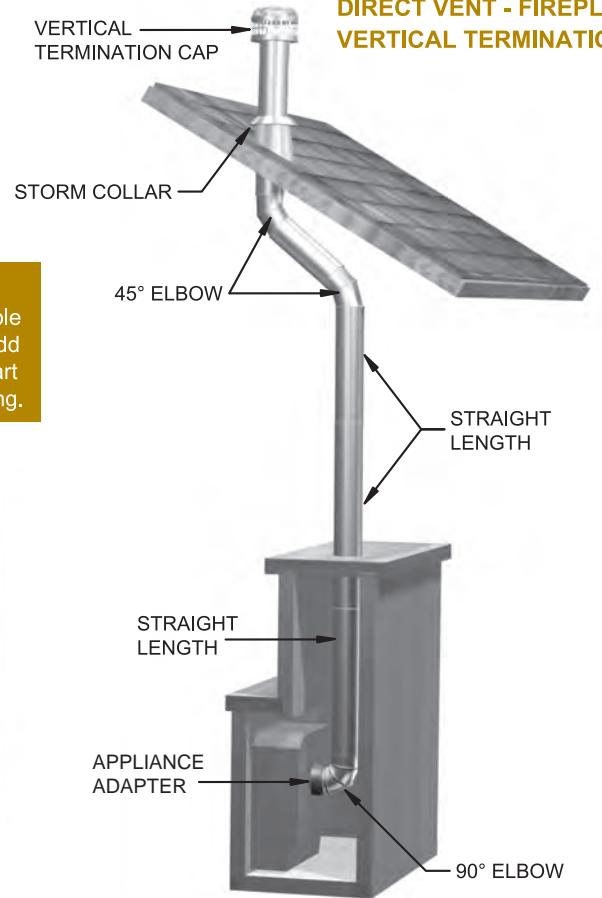
Outer casing is heavy gauge steel with galvanized or durable black painted finish.



**DIRECT VENT - FREE STANDING
VERTICAL TERMINATION**



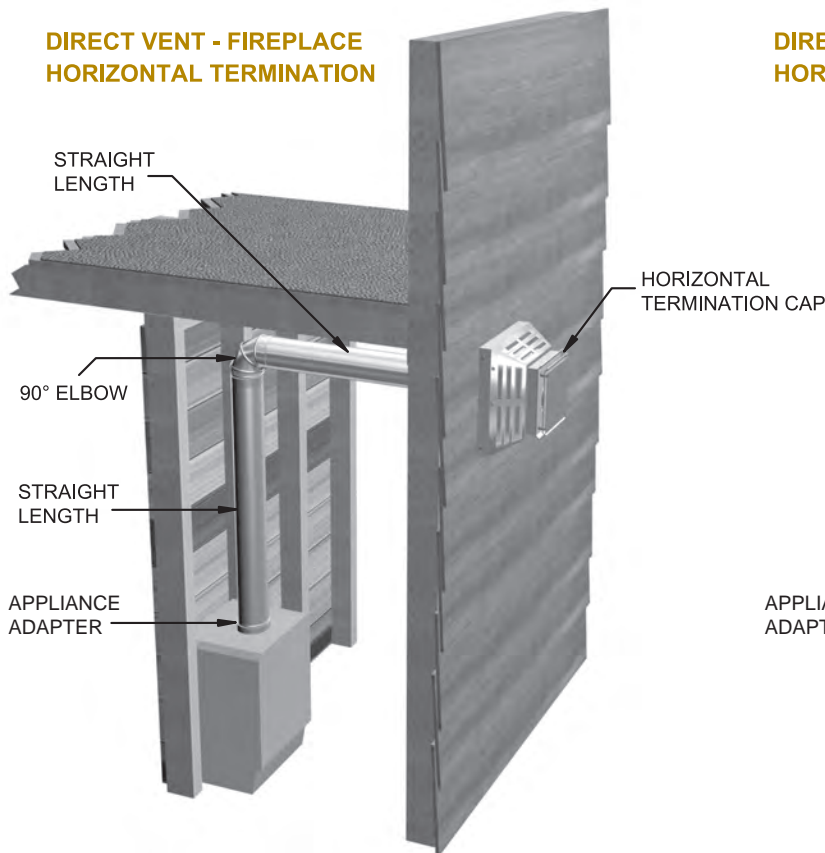
**DIRECT VENT - FIREPLACE
VERTICAL TERMINATION**



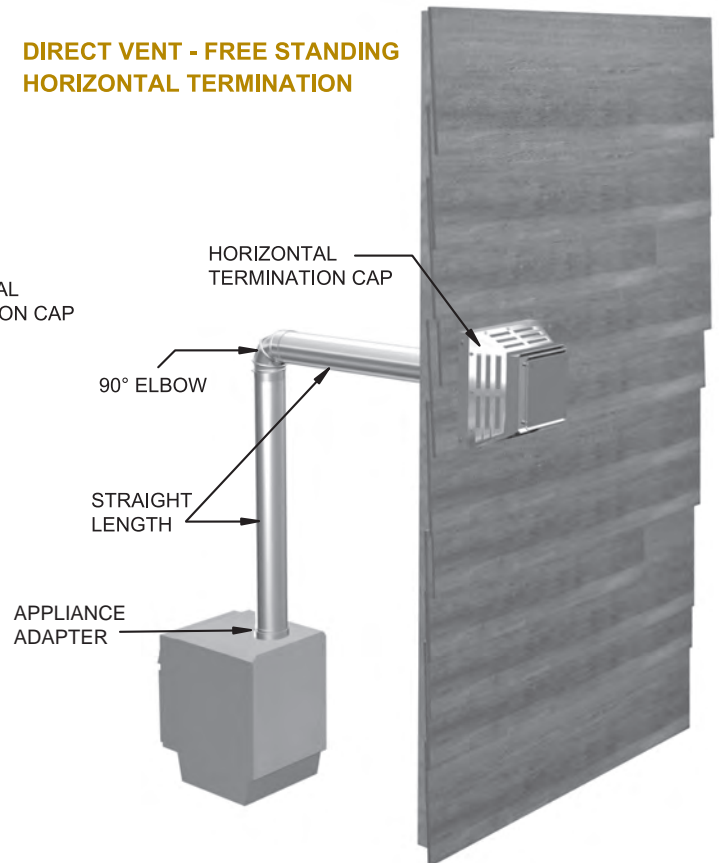
Metal-Fab Direct Vent components are available with black finish. Just add "B" to the end of the part numbers you are ordering.



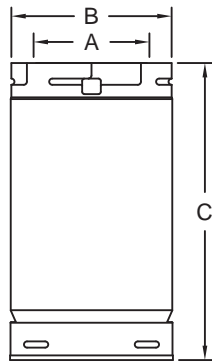
**DIRECT VENT - FIREPLACE
HORIZONTAL TERMINATION**



**DIRECT VENT - FREE STANDING
HORIZONTAL TERMINATION**

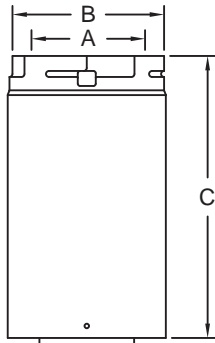


STRAIGHT LENGTH ASSEMBLY D6, D12, D24, D36, D48



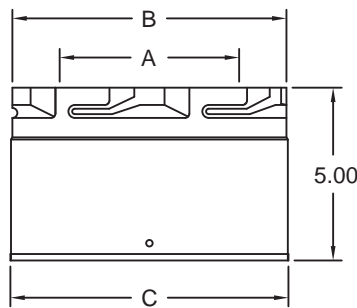
CAT NO.	A	B	C	CAT NO.	A	B	C
4D6	4.00"	6.50"	6.00"	5D6	5.00"	8.00"	6.00"
4D12	4.00"	6.50"	12.00"	5D12	5.00"	8.00"	12.00"
4D18	4.00"	6.50"	18.00"	5D18	5.00"	8.00"	18.00"
4D24	4.00"	6.50"	24.00"	5D24	5.00"	8.00"	24.00"
4D36	4.00"	6.50"	36.00"	5D36	5.00"	8.00"	36.00"
4D48	4.00"	6.50"	48.00"	5D48	5.00"	8.00"	48.00"

ADJUSTABLE LENGTH DAL



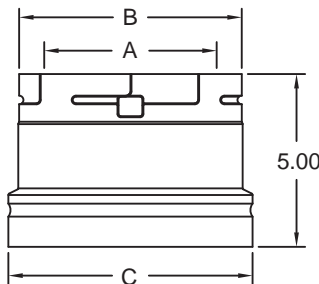
CAT NO.	A	B	C	ADJUSTABLE RANGE
4DAL	4.00"	6.50"	11.75"	3.00" TO 10.00"
5DAL	5.00"	8.00"	11.75"	3.00" TO 10.00"

DURAVENT ADAPTER DDA



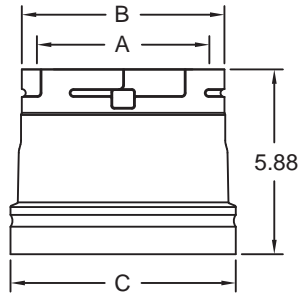
CAT NO.	A	B	C
4DDA	4.00"	6.50"	6.64"
5DDA	5.00"	8.00"	8.01"

NAPOLEON ADAPTER DNA



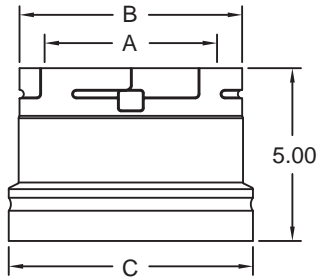
CAT NO.	A	B	C
4DNA	4.00"	6.50"	7.03"
5DNA	5.00"	8.00"	8.08"

NAPOLEON STOVE ADAPTER DNAS



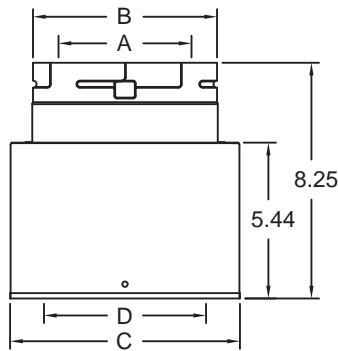
CAT NO.	A	B	C
4DNAS	4.00"	6.50"	7.16"

MONESSEN ADAPTER DMA



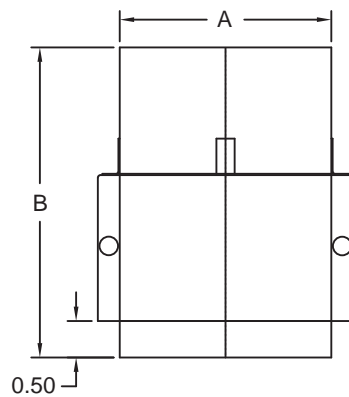
CAT NO.	A	B	C
4DMA	4.00"	6.50"	7.07"

5" TO 4" ADAPTER 54DTA



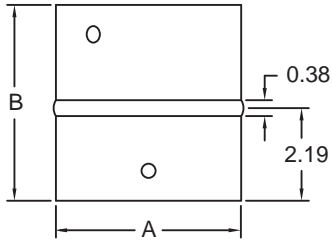
CAT NO.	A	B	C	D
54DTA	4.00"	6.50"	8.00"	5.00"

CO-LINEAR FLEX CONNECTOR 4DV3A



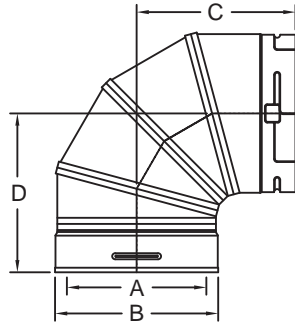
CAT NO.	A	B
4DV3A	2.90"	4.25"

FLEX PULLER/CONNECTOR 3FPC



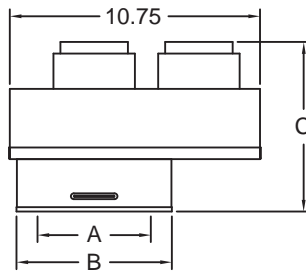
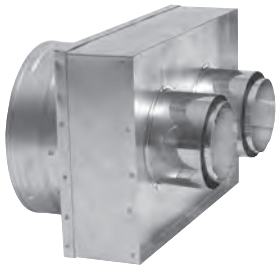
CAT NO.	A	B
3FPC	4.63"	2.94"

90° ADAPTER D90A



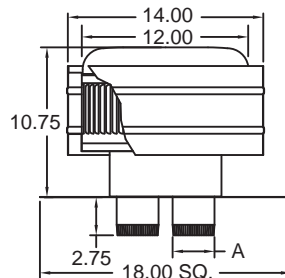
CAT NO.	A	B	C	D
4D90A	4.00"	6.50"	6.50"	6.50"
5D90A	5.00"	8.00"	11.38"	11.38"

CO-AXIAL TO CO-LINEAR ADAPTER 4DVLA



CAT NO.	A	B	C
4DVLA	4.00"	6.50"	7.28"

VERTICAL LINER TERMINATION 4DVT33F & 4DVT43F



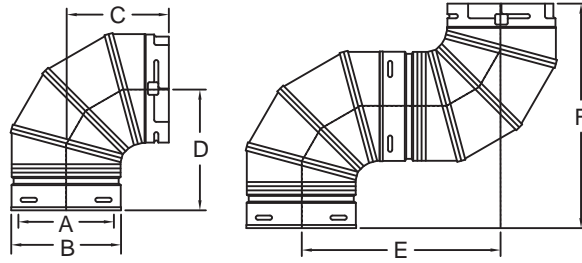
CAT NO.	A
4DVT33F	3.00"
4DVT43F	4.00"

FLEXIBLE CHIMNEY LINERS FLX



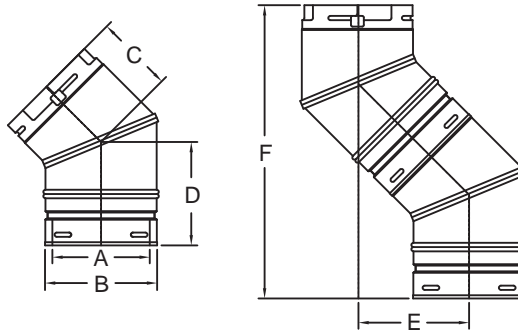
CAT NO.	Size and identification
FLX0325	3" Diameter x 25' length
FLX0335	3" Diameter x 35' length
FLX0425	4" Diameter x 25' length
FLX0435	4" Diameter x 35' length

90° SWIVEL ELBOW D90L



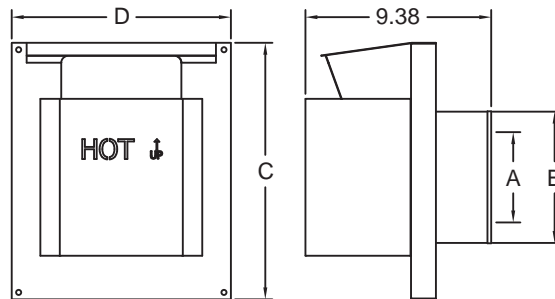
CAT NO.	A	B	C	D	E	F
4D90L	4.00"	6.50"	6.13"	7.25"	13.38"	12.00"
5D90L	5.00"	8.00"	7.75"	9.00"	16.62"	15.25"

45° SWIVEL ELBOW D45L



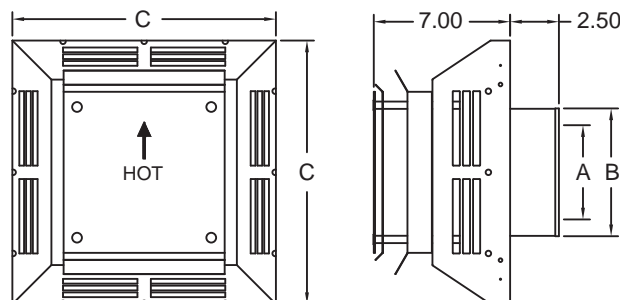
CAT NO.	A	B	C	D	E	F
4D45L	4.00"	6.50"	4.50"	6.12"	6.50"	17.12"
5D45L	5.00"	8.00"	4.50"	5.25"	5.93"	15.62"

HORIZONTAL TERMINATION DHTE



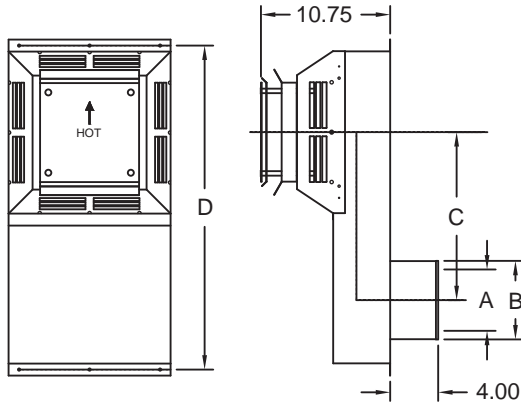
CAT NO.	A	B	C	D
4DHTE	4.00"	6.50"	12.88"	11.00"
5DHTE	5.00"	8.00"	15.00"	13.00"

HORIZONTAL TERMINATION DHT



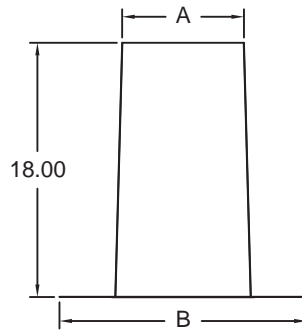
CAT NO.	A	B	C
4DHT	4.00"	6.50"	13.50"
5DHT	5.00"	8.00"	16.00"

SNORKEL TERMINATION DST



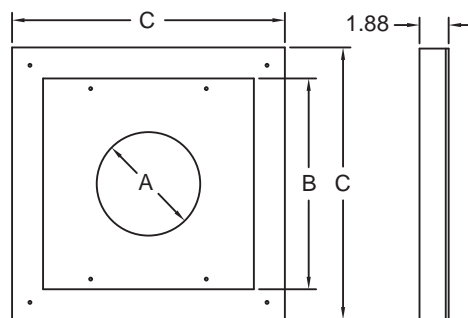
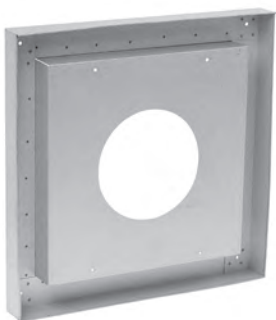
CAT NO.	A	B	C	D
4DST14	4.00"	6.50"	14.00"	28.00"
5DST14	5.00"	8.00"	14.00"	28.00"
4DST36	4.00"	6.50"	36.00"	50.00"
5DST36	5.00"	8.00"	36.00"	50.00"

INSULATION SHIELD DIS



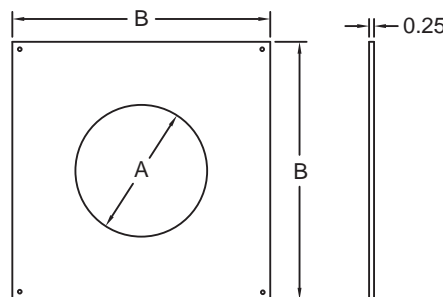
CAT NO.	A	B
4DIS	8.63"	17.00"
5DIS	10.00"	19.00"

VINYL SIDING STAND OFF DVS



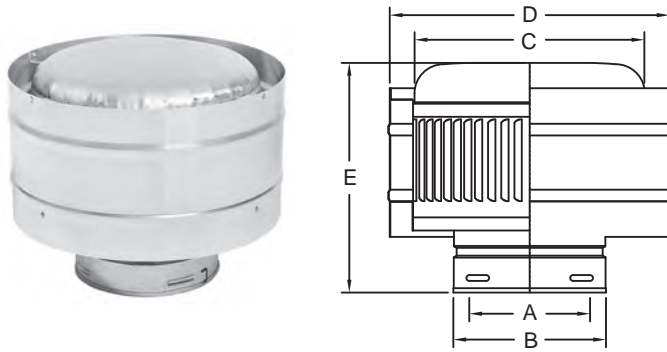
CAT NO.	A	B	C
4DVS	6.75"	13.50"	17.50"
5DVS	8.25"	15.75"	19.88"

DECORATIVE COVER PLATE DCP



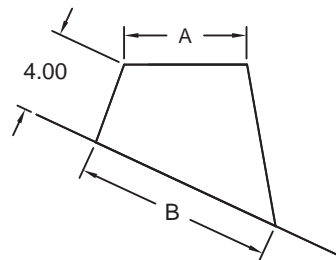
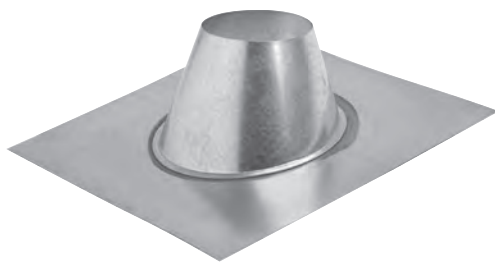
CAT NO.	A	B
4DCP	6.64"	13.00"
5DCP	8.16"	13.00"

VERTICAL TERMINATION DVT



CAT NO.	A	B	C	D	E
4DVT	4.00"	6.50"	10.00"	12.00"	10.00"
5DVT	5.00"	8.00"	10.00"	12.00"	10.00"

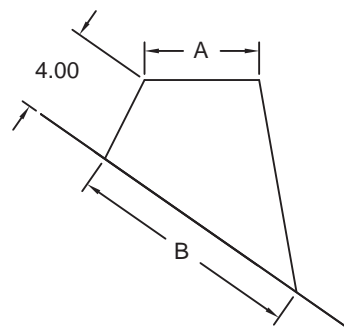
FLASHING DF



CAT NO.	A	B	PLATE SIZE
4DF	6.75"	9.50"	17.50" x 17.50"
5DF	8.25"	11.00"	19.00" x 19.00"

Fits roof pitch from 1/12 to 5/12

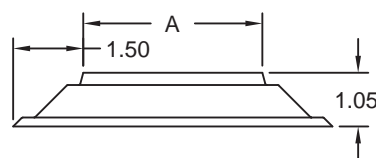
FLASHING DF-12



CAT NO.	A	B	PLATE SIZE
4DF-12	4.00"	6.50"	21.00" x 28.00"
5DF-12	5.00"	8.00"	21.00" x 28.00"

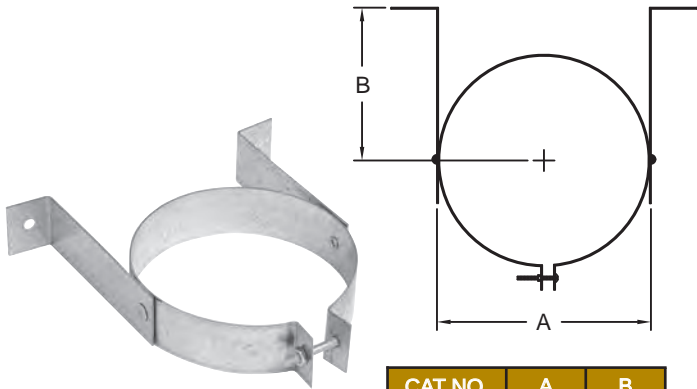
Fits roof pitch from 6/12 to 12/12

STORM COLLAR DSC



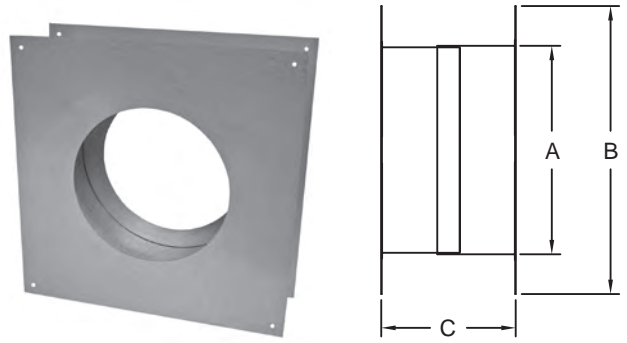
CAT NO.	A
4DSC	6.54"
5DSC	8.03"

WALL SUPPORT DWS



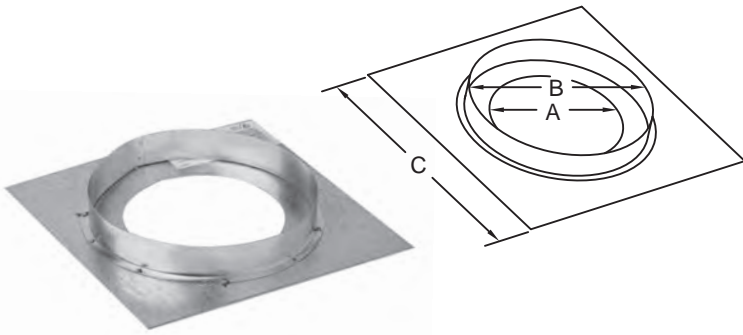
CAT NO.	A	B
4DWS	6.63"	4.72"
5DWS	8.06"	5.06"

WALL THIMBLE DWT



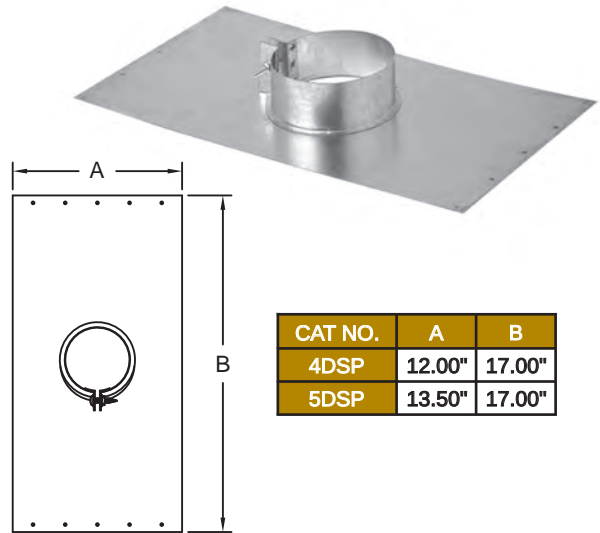
CAT NO.	A	B	C
4DWT	8.69"	12.00"	4.00" x 6.50"
5DWT	10.18"	12.00"	4.00" x 6.50"

FIRESTOP DFS



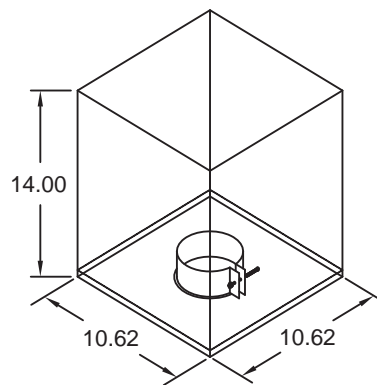
CAT NO.	A	B	C
4DFS	6.56"	8.50"	10.50"
5DFS	8.06"	10.00"	13.00"

SUPPORT PLATE DSP



CAT NO.	A	B
4DSP	12.00"	17.00"
5DSP	13.50"	17.00"

PAINTED ROOF SUPPORT DRS



Note: Trim plates and collar included as shown.

HORIZONTAL INSTALLATION KIT A DHTKA



- 90° Elbow
- Horizontal Termination
- Wall Thimble

HORIZONTAL INSTALLATION KIT B DHTKB



- 24" Straight Length - Black
- 90° Elbow - Black
- Horizontal Termination
- Wall Thimble
- Decorative Cover Plate - Black

VERTICAL INSTALLATION KIT DVTK



- Vertical Termination
- Storm Collar
- Flashing 1/12 - 5/12

MASONRY CHIMNEY RELINE KIT 4DVT33FK & 4DVT43FK



- Dual 2-Ply 3" or 4" Flexible Aluminum Liners
- Chimney Flashing - Flat
- Vertical Termination
- 2-Clamp Bands
- 35' Flexible Liner Length

TYPE-B GAS VENT



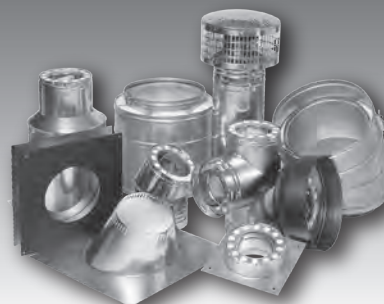
Easiest installation on the market...featuring SureLock™ B-Vent Locking System.

FLEXIBLE CHIMNEY LINERS



Flexible liners, connectors and relining kits.

SOLID FUEL



Complete line of Solid Fuel Chimney and Black Pipe.

CORR/GUARD®



Designed for corrosive appliances and exhaust systems.

AIR-COOLED TEMP/GUARD®



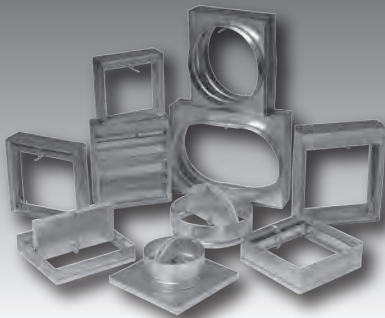
For use with masonry fireplaces which burn wood, oil, coal or gas.

BIOMASS



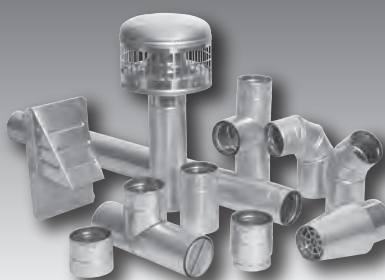
Designed for use with pellet, corn or wheat-fired appliances.

DAMPERS



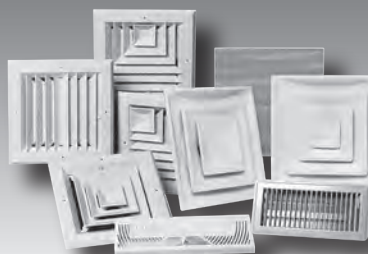
Full line of fire & ceiling radiation dampers. Capacity to fill high volume orders 100%.

PREMIUM BIOMASS



Designed for use with pellet corn or wheat-fired appliances.

GRILLES & REGISTERS



A quality, complete line including 2x2 and extruded aluminum.

800-835-2830

